



HYDROMATIC[®]
MODELS HPGF(X)/HPGFH(X)
SUBMERSIBLE SEWAGE
GRINDER PUMPS

ALSO AVAILABLE FOR HAZARDOUS LOCATION

HPGF/HPGFH



HYDROMATIC® MODELS HPGF(X)/HPGFH(X)

Submersible Sewage Grinder Pumps

HPGF/HPGFH Pumps Characteristics					
Pump / Motor Unit	Submersible-Grinder				
Phase	1 Ø		3 Ø		
Horsepower	3	5	3	5	7.5
208V FLA	N/A	N/A	10.9	17.6	29
230V FLA	17.1	29.5	9.5	15.3	25.2
460V FLA	N/A	N/A	4.8	7.6	12.6
575V FLA	N/A	N/A	3.8	6.1	10.1
Motor Type	Oil-Cooled Induction Capacitor Start		Oil-Cooled Induction		
RPM	1750				
Temperature	140°F Ambient				
Operation	Intermittent				
Hertz	60 Hz				
Thermal Overload	Bimetallic				
Temperature	Maximum Water 140°F				
NEMA Design	Type B (3 Ø)		Type L (1 Ø)		
Insulation	Class F				
Discharge Size	2" NPT – 3" 125 lb. Flange (Horizontal)				
Unit Weight	245 lbs.				
Power Cord	S00W, W				
Control Cord	S00W				

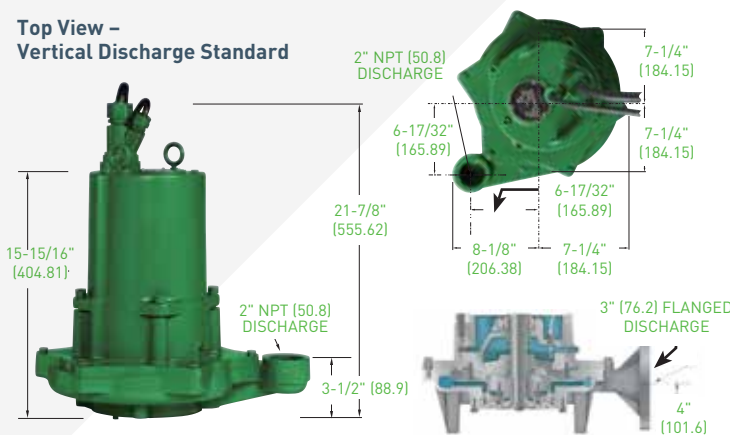
HPGFH/HPGFHX Pumps Characteristics					
Pump / Motor Unit	Submersible-Grinder				
Phase	1 Ø		3 Ø		
Horsepower	3	5	3	5	7.5
208V FLA	N/A	N/A	10.9	17.6	29
230V FLA	17.1	29.5	9.5	15.3	25.2
460V FLA	N/A	N/A	4.8	7.6	12.6
575V FLA	N/A	N/A	3.8	6.1	10.1
Motor Type	Oil-Cooled Induction Capacitor Start		Oil-Cooled Induction		
RPM	1750				
Temperature	140°F Ambient				
Operation	Intermittent				
Hertz	60 Hz				
Thermal Overload	Bimetallic				
Temperature	Maximum Water 140°F				
NEMA Design	Type B (3 Ø)		Type L (1 Ø)		
Insulation	Class F				
Discharge Size	2" NPT – 3" 125 lb. Flange (Horizontal)				
Unit Weight	245 lbs.				
Power Cord	S00W, W				
Control Cord	S00W				

HPGF/HPGFH Materials of Construction	
Description	Material of Construction
Motor Housing	Cast Iron ASTM-48
Pump Casing	Cast Iron ASTM-48
Coolant/Lubricant	Dielectric Oil
Shaft	Stainless Steel
Mechanical Shaft Seal	Seal Faces: Carbon / Ceramic, Seal Body: Stainless Steel, Spring: Stainless Steel, Bellows: Buna-N
Impeller	Semiopen 5-Vane SST
Cutters	440C Hardened 55-60 Rockwell C
Upper Bearing	(Radial) Single Row-Ball
Lower Bearing	(Thrust) Single Row-Ball
Fasteners	Stainless Steel

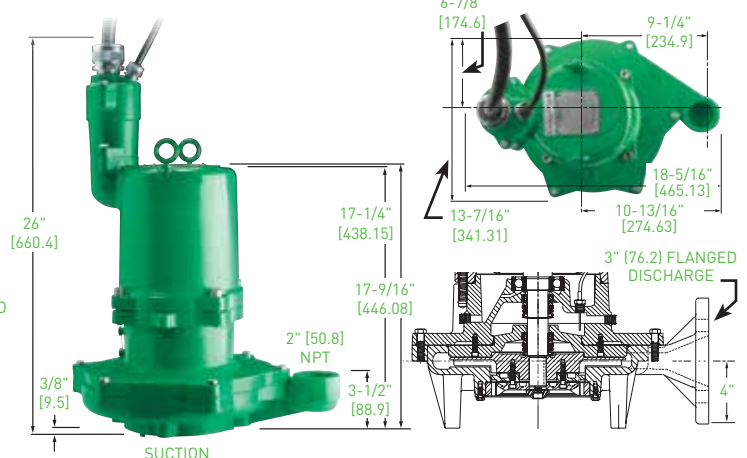
HPGFH/HPGFHX Materials of Construction	
Description	Material of Construction
Motor Housing	Cast Iron ASTM-48
Pump Casing	Cast Iron ASTM-48
Coolant / Lubricant	Dielectric Oil
Shaft	Stainless Steel
Mechanical Shaft Seal	Seal Faces: Carbon / Ceramic, Seal Body: Stainless Steel, Spring: Stainless Steel, Bellows: Buna-N
Impeller	Semiopen 5-Vane SST
Cutters	440C Hardened 55-60 Rockwell C
Upper Bearing	(Radial) Single Row-Ball
Lower Bearing	(Thrust) Single Row-Ball
Fasteners	Stainless Steel

HPGF/HPGFH Dimensional Data

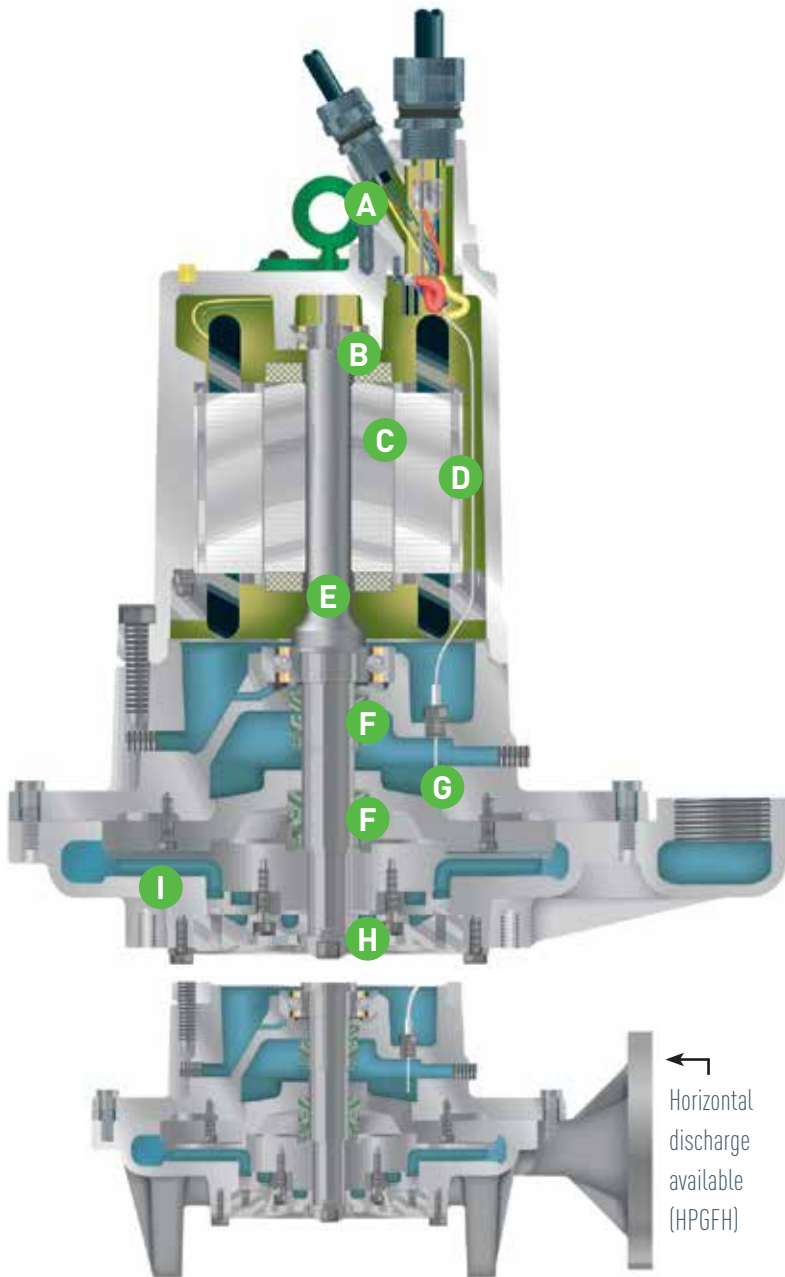
Top View – Vertical Discharge Standard



HPGFH/HPGFHX Dimensional Data



HPGF/HPGFH Pump Features



Applications:

Residential, Commercial, Resort Area

A. Two Barrier Seal

One epoxy barrier and one compression fitting for maximum protection against wicking and water seepage into the motor housing.

B. Bearings

The heavy-duty ball bearings, upper (radial) and lower (thrust), are continuously lubricated by oil to ensure long service life.

C. Motor

Electrical design combines the advantages of high torque output with optimum running efficiency engineered specifically for grinder operation.

D. Stator Bolts

The stator is secured to the motor housing by means of stator bolts which ensure ease of maintenance if the need ever arises.

E. Shaft

Standard stainless steel shaft in grinder pump.

F. Dual Seals

Dual seals for maximum moisture protection.

G. Moisture Probe

Moisture detection probe.

H. Cutters

Exclusive "Dual Cutter" design cuts solids to smallest particle size thereby greatly reducing clogging, roping, or binding.

I. Impeller

Impeller made of high strength 316 SST / CF8M which provides a high level of corrosion resistance and toughness from impact for a wide variety of slurry pumpage.

HPGFX/HPGFHX Pump Features

A. Three Barrier Seal

One epoxy barrier, one compression fitting and two additional O-rings for maximum protection against wicking and water seepage into the motor housing.

B. Bearings

The heavy-duty ball bearings, upper (radial) and lower (thrust), are continuously lubricated by oil to ensure long service life.

C. Motor

Electrical design combines the advantages of high torque output with optimum running efficiency engineered specifically for grinder operation.

D. Stator Bolts

The stator is secured to the motor housing by means of stator bolts which ensure ease of maintenance if the need ever arises.

E. Shaft

Standard stainless steel shaft in grinder pump.

F. Dual Seals

Dual seals for maximum moisture protection.

G. Two Moisture Probes

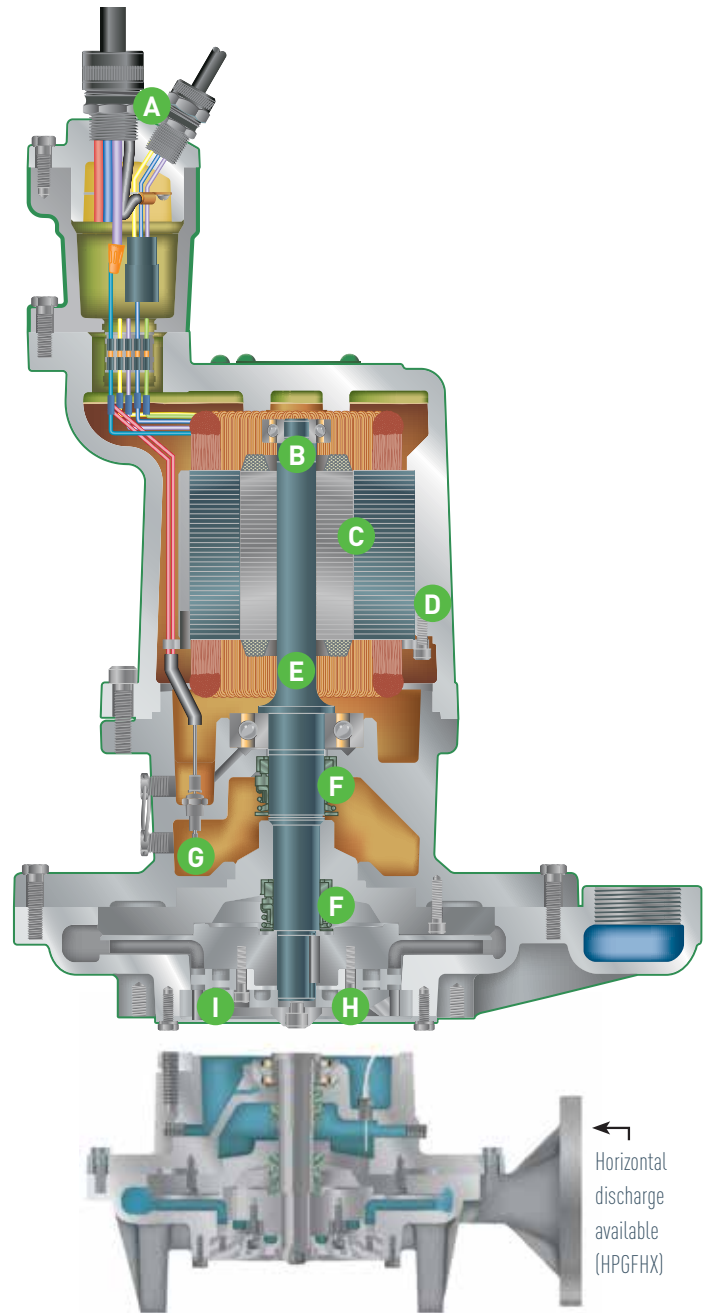
Moisture detection probe located in seal chamber.

H. Cutters

Exclusive "Dual Cutter" design cuts solids to smallest particle size thereby greatly reducing clogging, roping, or binding.

I. Impeller

Multivane, semiopen impeller.



Applications:

Municipal, Commercial, Residential, Resort Area



1101 MYERS PARKWAY
ASHLAND, OHIO 44805
PH: 855-274-8947
WWW.HYDROMATIC.COM

490 PINEBUSH ROAD, UNIT 4
CAMBRIDGE, ONTARIO, CANADA N1T 0A5
PH: 800-363-7867
WWW.HYDROMATIC.COM

Hydromatic® is a registered trademark of Pentair Ltd.

Because we are continuously improving our products and services, Pentair reserves the right to change specifications without prior notice.

E-02-7110 05/02/17 © 2017 Pentair plc. All Rights Reserved.