

DELTA ENVIRONMENTAL®

DS50F SERIES

Cast Iron Submersible High Flow Sewage Pumps

The DS50F Series Pumps are rugged, cast iron, submersible pumps with solids handling semiopen vane impellers and solids handling capability to 2". Available in 115V single-phase version, the DS50F Series comes with a 20' power cord, and is available in automatic or manual versions. Discharge pipe size is 2" NPT. A full selection of accessories for automatic operation is available, and includes float switches, simplex controllers, duplex controllers, basins, alarms and check valves. 2" NPT discharge pipe size.

Applications

- Sewage, effluent and wastewater removal and transfer
- Sump drainage
- Dewatering
- Flood control

Features

- Bearings and mechanical seal permanently lubricated for long life.
- Solids handling semiopen vane impeller.
- Built-in thermal overload protection with automatic reset.
- Heavy-duty lift-out ring, field serviceable.
- 2" spherical solids handling capability.
- Stainless steel hardware allows for easy disassembly after extended service.
- Optional automatic float switch.
- Oil-filled capacitor greatly enhances the continuous duty motor rating.

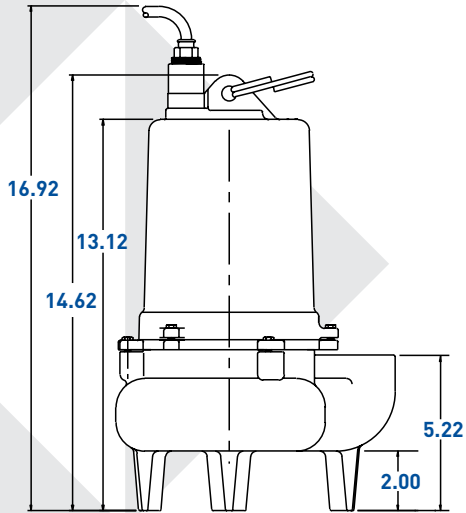
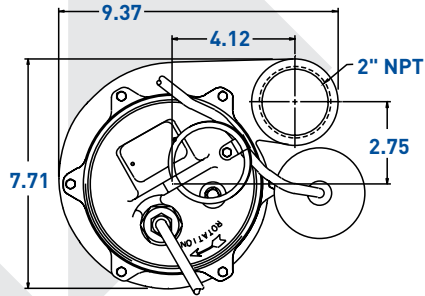


Pump Specifications	
Volute Casing	Cast iron
Upper and Lower Motor Housing	Cast iron
Impeller	Cast iron
Mechanical Seal	J. Crane™ type 6A or equal, Buna-N elastomers, silicon carbide seal faces, stainless steel metal parts
Bearings	Upper sleeve and lower ball bearings, oil lubricated
Exterior Hardware and Nameplate	Stainless steel
Motor	1/2 HP, 1725 RPM, 115V single-phase, 60 Hz. Oil-filled. Permanent split capacitor. Built-in thermal overload protection with automatic reset
Power Cord	20' oil and water resistant SJTW-A/SJTW 16/3 cord with UL/CSA Listed integrally grounded three-prong plug
Maximum Liquid Temperature	130°F 55°C
Agency Listing	CSA

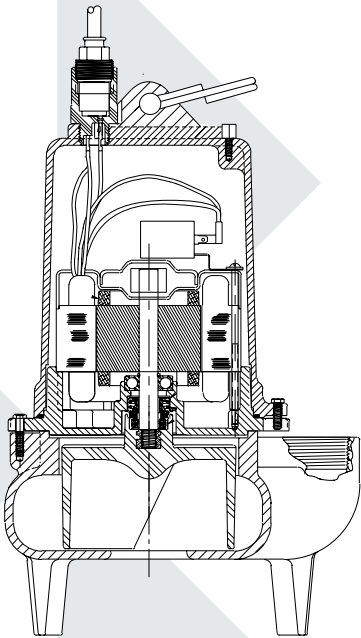
In order to provide the best products possible, specifications are subject to change.

Dimensional Data

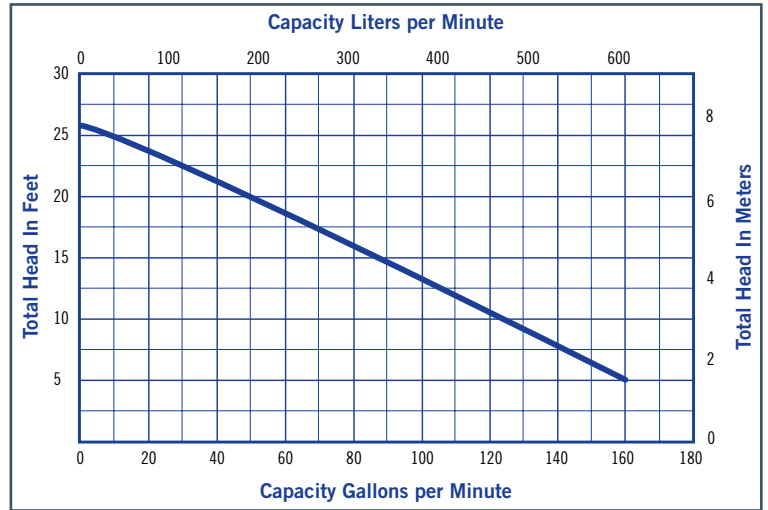
Dimensions (in inches) are for estimating purposes only.



Sectional View



Pump Performance



Ordering Information								
Catalog Number	HP	Max. Load Amps	Volts	Phase	Cord Length	Mechanical Switch Type	Switch Setting	
							On	Off
DS50F-20-M1	1/2	9.0	115	1	20'	Manual	—	—
DS50F-20-A1	1/2	9.0	115	1	20'	Tethered	18"	8.5"

Note: All DS50F Series Pumps have 2" solids handling capability and 2" NPT discharge.



8263 FLORIDA BLVD., DENHAM SPRINGS, LA 70727, 225-665-6162, 1 (800) 219-9183 | WWW.DELTAENVIRONMENTAL.COM

Because we are continuously improving our products and services, Pentair reserves the right to change specifications without prior notice.
K4495 08/21/13 © 2013 Pentair Ltd. All Rights Reserved.