

DELTA ENVIRONMENTAL®

DS50 SERIES

Cast Iron Submersible Sewage Pumps

The DS50 Series Pump is a rugged, cast iron, submersible pump with a solids handling vortex impeller and solids handling capability to 2". Unit available with 1/2 hp, 115V single-phase motor complete with 20' power cord. This unit features a 2" NPT vertical discharge and a full selection of accessories for automatic operation. Accessories include float switches, duplex controllers, simplex controllers, alarms, basins and check valves.

Applications

- Sewage, effluent and wastewater removal and transfer
- Sump drainage
- Dewatering
- Flood control

Features

- Bearings and mechanical seal permanently lubricated for long life.
- Rugged cast iron pump body and motor housing for applications needing a durable pump.
- Solids handling vortex style impeller.
- Built-in thermal overload protection with automatic reset on single phase.
- Heavy-duty lift-out ring, field serviceable.
- 2" spherical solids handling capability.
- Stainless steel hardware allows for easy disassembly after extended service.
- Standard controls available for automatic operation.

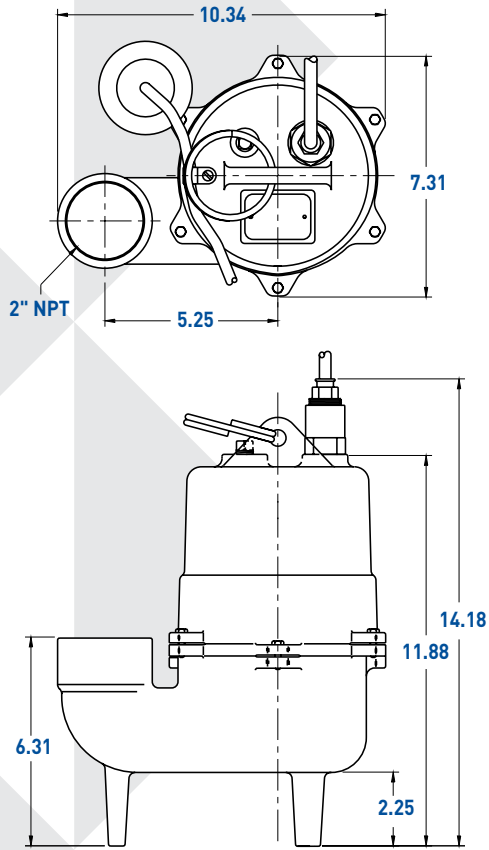


Pump Specifications	
Motor Cover	Cast iron
Volute	Cast iron
Impeller	Fiberglass reinforced Noryl® with brass threaded insert
Mechanical Seal	Type 6A or equal, Buna-N elastomers, carbon and ceramic sealing faces, stainless steel metal parts
Bearings	Ball/sleeve type, oil lubricated
Exterior Hardware and Nameplate	Stainless steel
Motor	1/2 HP, 1550 RPM, 115V, single-phase, 60 Hz. Oil-filled. Built-in thermal overload protection with automatic reset
Power Cord	20' water resistant 16-3 SJTW-A/SJTW with integrally grounded three-prong plug
Maximum Liquid Temperature	130°F 55°C
Agency Listing	CSA

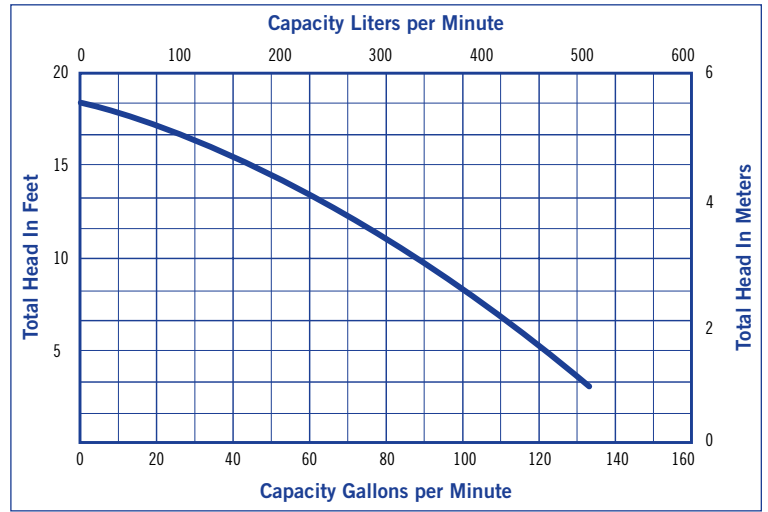
In order to provide the best products possible, specifications are subject to change.

Dimensional Data

Dimensions (in inches) are for estimating purposes only.



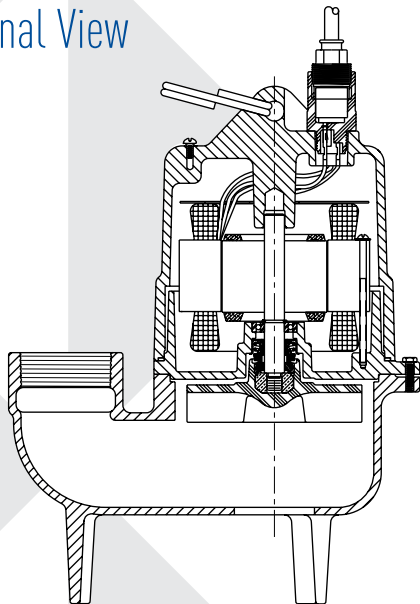
Pump Performance



Ordering Information								
Catalog Number	HP	Max. Load Amps	Volts	Phase/Cycle	Cord Length	Mechanical Switch Type	Switch Setting	
							On	Off
DS50-20-M1	½	13.0	115	1/60	20'	Manual	—	—
DS50-20-A1	½	13.0	115	1/60	20'	Tethered	16"	7"

Note: All DS50 Series Pumps have 2" solids handling capability and 2" NPT discharge.

Sectional View



8263 FLORIDA BLVD., DENHAM SPRINGS, LA 70727, 225-665-6162, 1 (800) 219-9183 | WWW.DELTAENVIRONMENTAL.COM

Noryl® is a registered trademark of General Electric Co.

Delta Environmental® is a registered trademark of Pentair Ltd.

Because we are continuously improving our products and services, Pentair reserves the right to change specifications without prior notice.

K4494 08/21/13 © 2013 Pentair Ltd. All Rights Reserved.