

DELTA ENVIRONMENTAL[®]

DE40 SERIES

Cast Iron Submersible Effluent Pumps

The DE40 Series Submersible Pumps are constructed of rugged cast iron, with a solids handling vortex impeller typically used in septic tank effluent applications. Product is available in 4/10 hp, 115V, single phase, complete with a 20' power cord and 1 1/2" NPT vertical discharge. Automatic units have field-replaceable piggyback tethered style float switches. A full selection of accessories for automatic operation is available, and includes float switches, simplex and duplex controllers, basins, alarms and check valves.

Applications

- Effluent and wastewater removal
- Sump drainage
- Circulation
- Water transfer

Features

- Heavy-duty cast iron motor housing and upper volute. Corrosion-resistant composite base ideal for effluent applications.
- Bearings and mechanical seal permanently lubricated for long life.
- Pump-out vanes for seal protection.
- Built-in thermal overload protection with automatic reset.
- Cord design prevents oil loss from and moisture protection for motor if cord is damaged.
- Heavy-duty lift-out ring, field serviceable.
- 1/2" spherical solids handling capability.
- Field replaceable power cord.
- Built-in suction screen on intake.



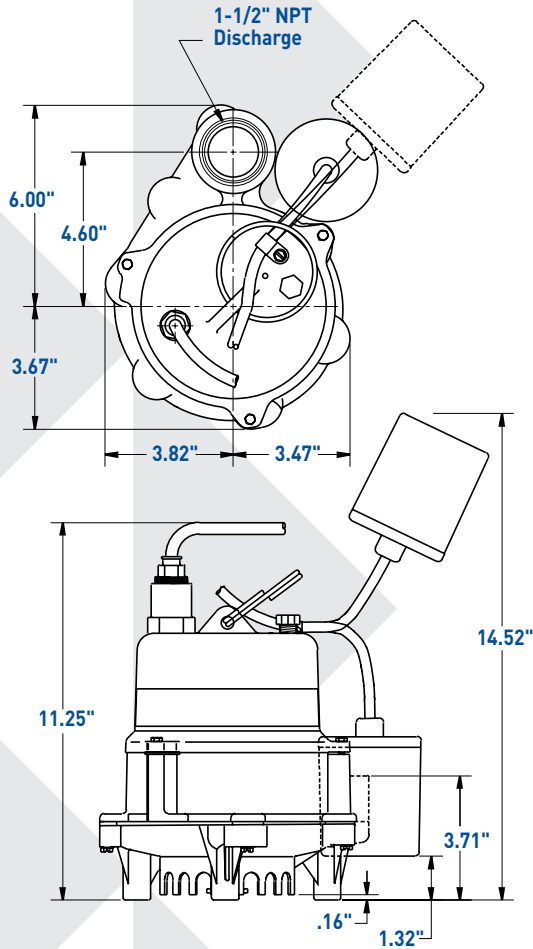
Pump Specifications	
Motor Cover	Cast iron
Upper Volute	Cast iron
Lower Volute Base	Fiberglass reinforced polypropylene
Motor Housing	Cast iron
Impeller	Fiberglass reinforced Noryl [®] with threaded brass insert
Shaft Seal	Mechanical, carbon/ceramic
Bearings	Upper sleeve and lower ball bearings, oil lubricated
O-Rings	Buna-N
Exterior Hardware and Nameplate	Stainless steel
Motor	4/10 hp, 1550 RPM, 115V, 60 Hz. Class B insulation. Oil-filled shaded pole containing built-in thermal overload protection with automatic reset
Power Cord	20' water resistant 16-3 gauge, type SJTW-A/SJTW with integrally grounded 3-prong plug
Maximum Liquid Temperature	130°F 55°C
Agency Listing	CSA

In order to provide the best products possible, specifications are subject to change.

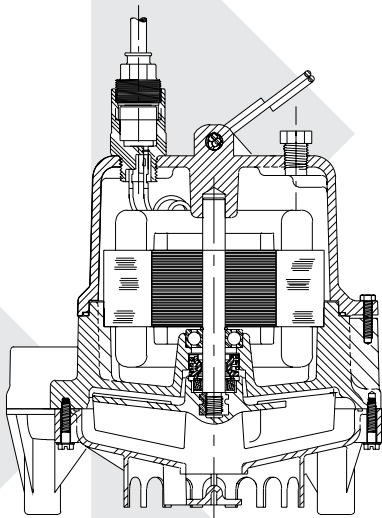


Dimensional Data

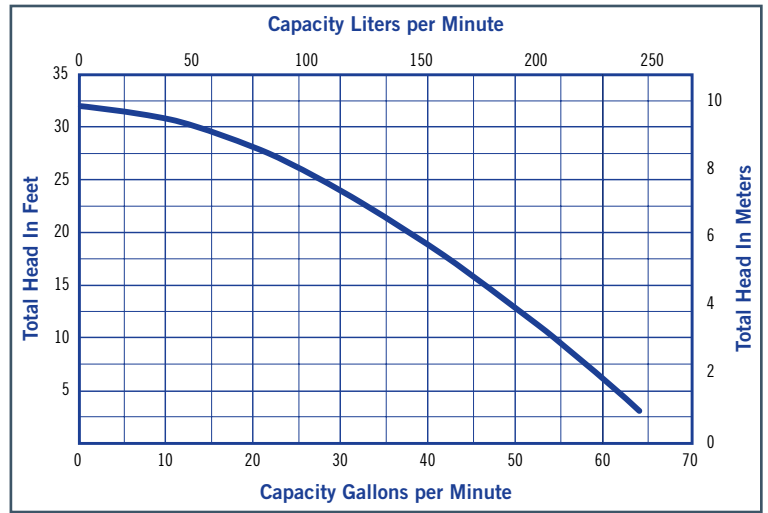
Dimensions (in inches) are for estimating purposes only.



Sectional View



Pump Performance



Ordering Information								
Catalog Number	HP	Max. Load Amps	Volts	Phase/Cycle	Cord Length	Mechanical Switch Type	Switch Setting	
							On	Off
DE40-20-M1	4/0	12.5	115	1/60	20'	Manual	—	—
DE40-20-A1	4/0	12.5	115	1/60	20'	Tethered	14"	5"



8263 FLORIDA BLVD., DENHAM SPRINGS, LA 70727, 225-665-6162, 1 (800) 219-9183 | WWW.DELTAENVIRONMENTAL.COM

Noryl® is a registered trademark of General Electric Co.

Delta Environmental® is a registered trademark of Pentair Ltd.

Because we are continuously improving our products and services, Pentair reserves the right to change specifications without prior notice.

K4493 08/21/13 © 2013 Pentair Ltd. All Rights Reserved.