

DELTA ENVIRONMENTAL[®]

DE33 SERIES

Cast Iron Submersible Effluent Pumps

The DE33 Series Pump is a rugged, submersible cast iron pump with a solids handling vortex impeller and solids handling capability to 3/4". Unit has a 1/3 hp, 115V or 230V, single-phase motor and 1 1/2" NPT vertical discharge. A full selection of accessories for automatic operation is available, and includes float switches, simplex controllers, duplex controllers, basins, alarms and check valves.

Applications

- Effluent and wastewater removal
- Sump drainage
- Dewatering
- Flood control

Features

- Bearings and mechanical seal permanently lubricated for long life.
- Rugged cast iron pump body and motor housing for applications needing a durable pump.
- Solids handling vortex style impeller, pump-out vanes for seal protection.
- Built-in thermal overload protection with automatic reset.
- Cord design prevents oil loss from and moisture protection for motor. Easily replaceable power cord.
- Heavy-duty lift-out ring, field serviceable.
- 3/4" spherical solids handling capability.
- Stainless steel hardware allows for easy disassembly after extended service.
- Standard controls available for automatic operation.

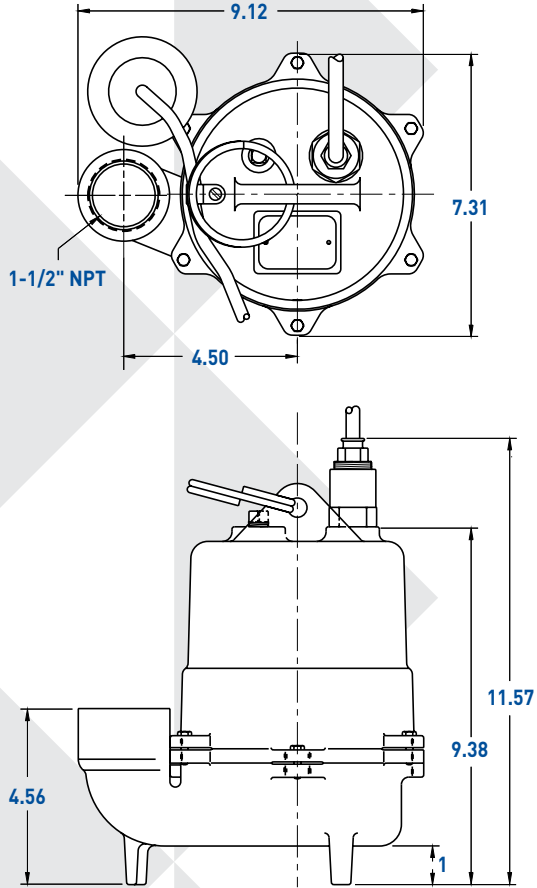


Pump Specifications	
Motor Cover	Cast iron
Volute	Cast iron
Impeller	Fiberglass reinforced Noryl [®] with threaded insert
Mechanical Seal	Type 6A or equal, Buna-N elastomers, carbon and ceramic sealing faces, stainless steel metal parts
Bearings	Upper sleeve and lower ball bearings, oil lubricated
Lower Motor Housing O-Ring	Buna-N
Exterior Hardware and Nameplate	Stainless steel
Motor	1/3 HP, 1550 RPM, 115V or 230V, single-phase, 60 Hz. Oil-filled. Built-in thermal overload protection with automatic reset
Power Cord	20' water resistant 16-3 SJTW-A/SJTW with integrally grounded three-prong plug
Maximum Liquid Temperature	130°F 55°C
Agency Listing	CSA

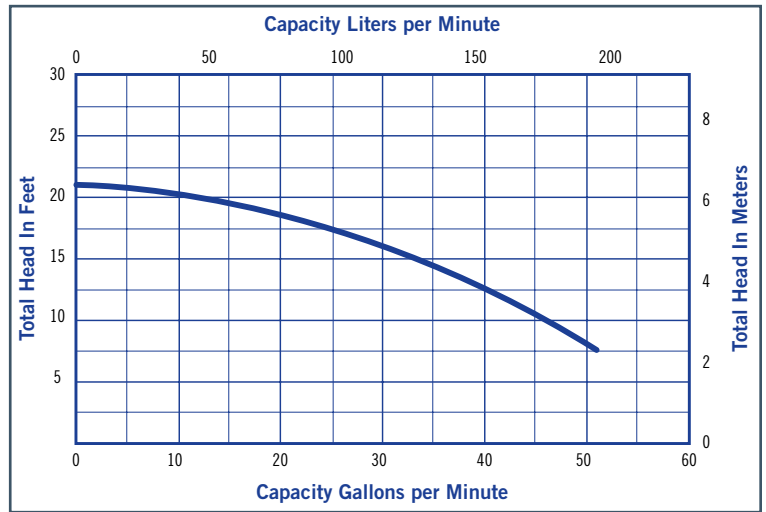
In order to provide the best products possible, specifications are subject to change.

Dimensional Data

Dimensions (in inches) are for estimating purposes only.

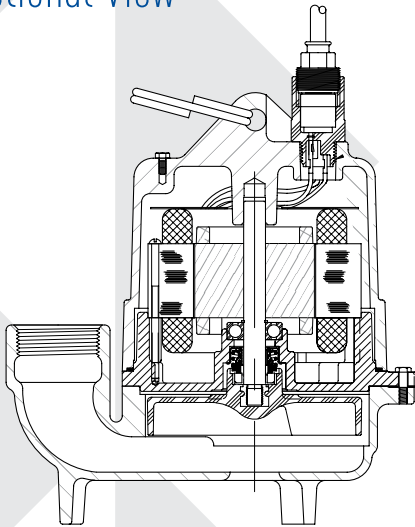


Pump Performance



Ordering Information								
Catalog Number	HP	Max. Load Amps	Volts	Phase/Cycle	Cord Length	Mechanical Switch Type	Switch Setting	
							On	Off
DE33-20-M1	1/3	13.0	115	1/60	20'	Manual	—	—
DE33-20-A1	1/3	13.0	115	1/60	20'	Tethered	13.5"	4.5"

Sectional View



8263 FLORIDA BLVD., DENHAM SPRINGS, LA 70727, 225-665-6162, 1 (800) 219-9183 | WWW.DELTAENVIRONMENTAL.COM

Noryl® is a registered trademark of General Electric Co.

Delta Environmental® is a registered trademark of Pentair Ltd.

Because we are continuously improving our products and services, Pentair reserves the right to change specifications without prior notice.

K4492 08/21/13 © 2013 Pentair Ltd. All Rights Reserved.