

DELTA ENVIRONMENTAL®

D4EM SERIES

High Head Multistage Submersible Effluent Pumps

The D4EM 4" submersible filtered effluent pumps in 10, 20 and 30 GPM models offer dependable performance and value for high pressure filtered effluent applications. These D4EM pumps will handle "dry run" conditions where other manufacturers fail. The 10, 20 and 30 GPM are industry standard 3-3/4" in diameter.

Applications

- Filtered effluent – for residential, commercial and agricultural use.

Features

- Proven "Floating Impeller" Staging System incorporates 1st-in-class performance, sand-handling and thrust management staging system with the industry exclusive "dry-run" design element. Reinforced engineered composites and stainless steel, offering high resistance to corrosion and abrasion.
- Tested-tough, fiberglass-reinforced thermoplastic discharge, with proven internal check valve. Large wrench flats and rope hole.
- 300-grade stainless steel pump shell offers high corrosion resistance.
- 3/8" Hexagonal, 300-grade stainless steel pump shaft offers generous impeller drive surfaces.
- Exclusive self-lubricating Nylatron® shaft bearing resists surface wear from sand.
- Tested-tough fiberglass-reinforced thermoplastic motor bracket incorporates an integral suction screen.

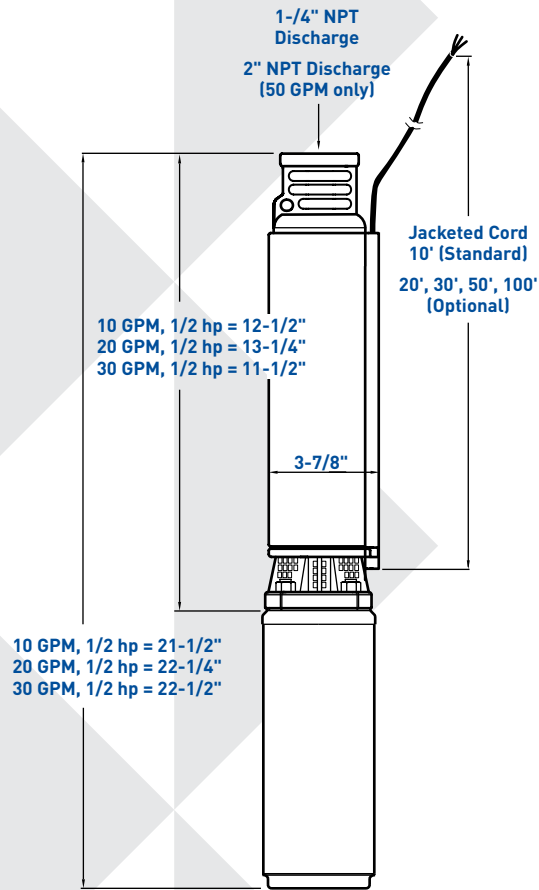


Pump Specifications	
Shell	Stainless steel
Discharge	10, 20 and 30 GPM models, fiberglass-reinforced thermoplastic
Discharge Bearing	Nylatron®
Impellers	Delrin®
Diffusers	Polycarbonate
Suction Caps	Polycarbonate with stainless steel wear ring
Thrust Pads	Proprietary spec.
Shaft and Coupling	Stainless steel 300 grade
Intake	Fiberglass-reinforced thermoplastic
Intake Screen	Polypropylene
Jacketed Cord	300V "SOOW" jacketed 10' leads (2-wire with ground); optional 20', 30', 50' and 100' lengths available
Agency Listing	CSA

In order to provide the best products possible, specifications are subject to change.

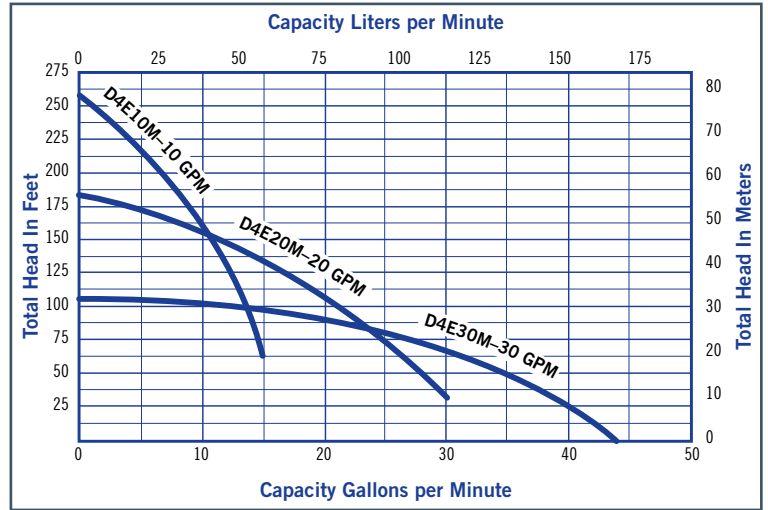
Dimensional Data

Dimensions (in inches) are for estimating purposes only.



Ordering Information						
Catalog Number	HP	Stages	Max. Load Amps	Volts	Phase/Cycle	Cord Length
D4E10M-10	1/2	6	10.5	115	1/60	10'
D4E10M-50	1/2	6	10.5	115	1/60	50'
D4E20M-10	1/2	5	10.5	115	1/60	10'
D4E20M-50	1/2	5	10.5	115	1/60	50'
D4E30M-10	1/2	3	9.5	115	1/60	10'
D4E30M-50	1/2	3	9.5	115	1/60	50'

Pump Performance



Catalog Number	Gallons/Liters per Minute	Head (Feet/Meters)	PSI
D4E10M	0/0	255/78	110
	5/19	228/69	99
	10/38	170/52	74
	12.5/47	120/37	52
D4E20M	0/0	180/55	78
	7.5/28	160/49	69
	15/57	135/41	58
	20/76	115/35	50
	25/95	75/23	32
	0/0	102/31	44
D4E30M	8/30	100/30	43
	16/61	97/30	42
	24/91	84/26	36
	30/114	68/21	29
	36/136	47/14	20
	0/0	102/31	44



8263 FLORIDA BLVD., DENHAM SPRINGS, LA 70727, 225-665-6162, 1 (800) 219-9183 | WWW.DELTAENVIRONMENTAL.COM

Nylatron® is a registered trademark of Polymer Corp.

Delrin® is a registered trademark of E.I. DuPont de Nemours and Co.

Delta Environmental® is a registered trademark of Pentair Ltd.

Because we are continuously improving our products and services, Pentair reserves the right to change specifications without prior notice.

K4491 08/21/13 © 2013 Pentair Ltd. All Rights Reserved.