

# DELTA ENVIRONMENTAL<sup>®</sup>

## DSP SERIES

### Cast Iron Submersible Sump Pumps

DSP Series rugged cast iron sump pumps feature a vortex impeller to provide solids handling capability up to 1/2". Product is available in 1/3 or 1/2 hp, 115V single phase 60 Hz. Pump discharge is 1-1/2" FNPT. Field-replaceable piggyback float switch: vertical for minimum diameter 10" sumps, or tethered for minimum diameter 14" sumps.

### Applications

- Basement sumps
- Dewatering
- Light effluent
- Water transfer

### Features

- Tethered float switch operates in sump diameters of 14" or larger.
- Rugged cast iron pump body and motor housing for applications needing a durable pump.
- Screened intake prevents debris from entering the pump.
- Oil-cooled motor transfers heat to sump water efficiently while lubricating internal motor components.
- Heavy-duty lift-out ring, field serviceable.
- Models range up to 62 gallons per minute at 5' of lift.
- Anti air lock hole built into base; eliminates added labor.
- 1/2" solids handling capability.
- Ball bearings and shaft seal are lubricated for long life.
- Pump intake screen, impeller, base, switch, and power cord are easily serviceable.



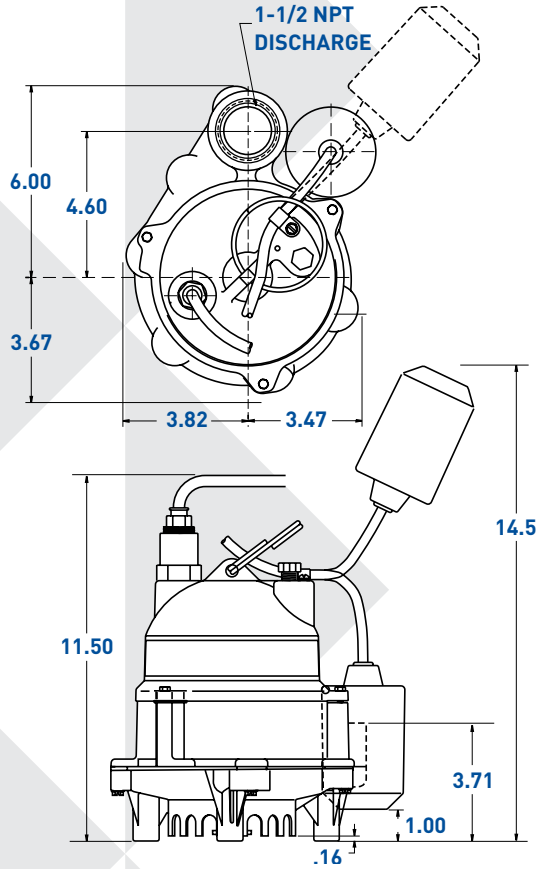
Pump Specifications	
Motor Cover	Cast iron
Upper Volute	Cast iron
Lower Volute	Fiberglass reinforced polypropylene
Impeller	Fiberglass reinforced Noryl <sup>®</sup> with threaded brass insert
Bearings	Upper sleeve and lower ball bearings, oil lubricated
Exterior Hardware	Stainless steel
Shaft Seal	Mechanical, carbon/ ceramic
Motor	Oil-cooled 1/3 hp and 1/2hp versions available, 115V, single phase, 60 Hz
Switch	Tethered float or vertical
Power Cord	10' or 20' grounded three-prong, water-resistant, type SJTW-A/SJTW
Discharge	1-1/2" FNPT
Maximum Liquid Temperature	130°F 55°C
Agency Listing	CSA

In order to provide the best products possible, specifications are subject to change.

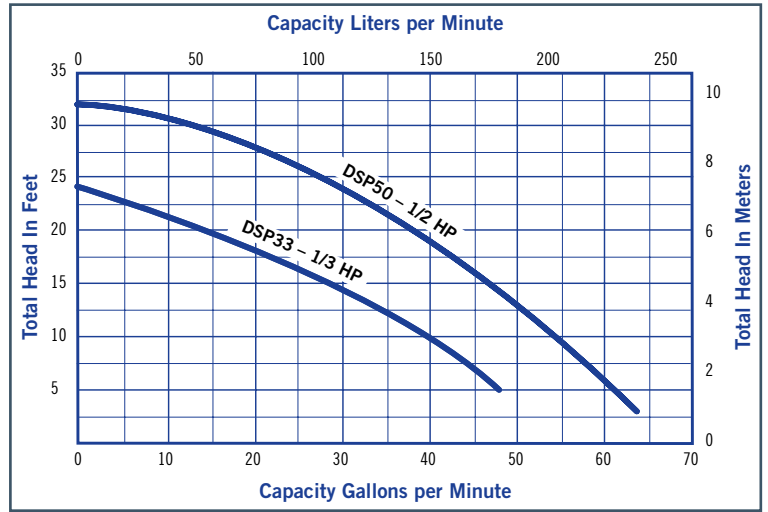


## Dimensional Data

Dimensions (in inches) are for estimating purposes only.

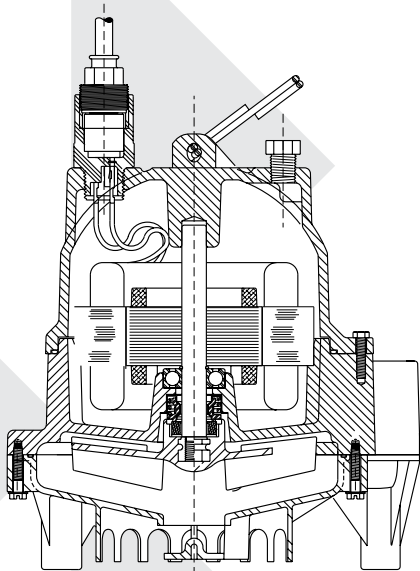


## Pump Performance



Ordering Information								
Catalog Number	HP	Max. Load Amps	Volts	Phase/Cycle	Cord Length	Mechanical Switch Type	Switch Setting	
							On	Off
DSP33-20-A1	1/3	9.8	115	1/60	20'	Tethered	13"	4"
DSP50-20-A1	1/2	12.5	115	1/60	20'	Tethered	13"	4"

## Sectional View



8263 FLORIDA BLVD., DENHAM SPRINGS, LA 70727, 225-665-6162, 1 (800) 219-9183 | WWW.DELTAENVIRONMENTAL.COM

Noryl® is a registered trademark of General Electric Co.

Delta Environmental® is a registered trademark of Pentair Ltd.

Because we are continuously improving our products and services, Pentair reserves the right to change specifications without prior notice.

K4488 08/21/13 © 2013 Pentair Ltd. All Rights Reserved.