

DELTA ENVIRONMENTAL[®]

DS40 SERIES

Cast Iron Submersible Sewage Pumps

The DS40 Series Pump is a rugged, cast iron, submersible pump with a solids handling vortex impeller and solids handling capability to 2". The unit is available with 4/10 hp, 115V single-phase motor complete with a 20' power cord. This unit also features a 2" vertical discharge and a tethered float switch for automatic operation. Accessories include float switches, alarms, basins and check valves.

Applications

- Sewage, effluent and wastewater removal and transfer
- Sump drainage
- Dewatering
- Flood control

Features

- Bearings and mechanical seal permanently lubricated for long life.
- Solids handling vortex style impeller.
- Built-in thermal overload protection with automatic reset.
- Heavy-duty lift-out ring, field serviceable.
- 2" spherical solids handling capability.
- Stainless steel hardware allows for easy disassembly after extended service.
- Tethered float switch available for automatic operation.



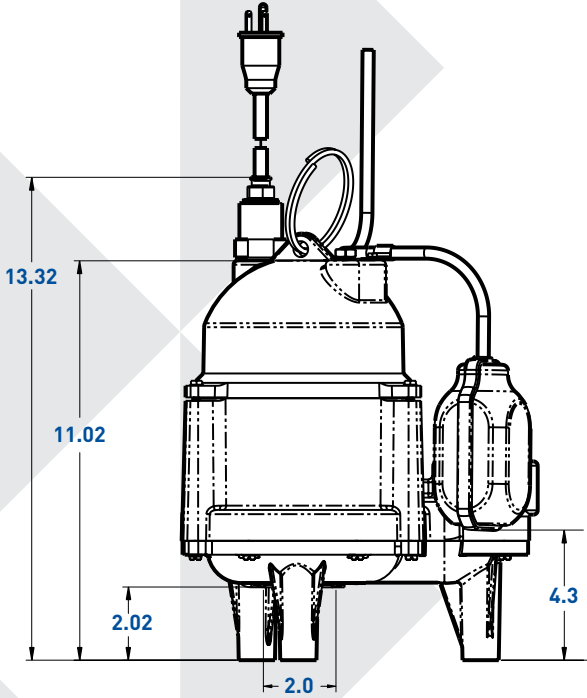
Pump Specifications	
Motor Cover	Cast iron
Upper Volute	Cast iron
Lower Volute	Fiberglass reinforced polypropylene
Impeller	Fiberglass reinforced Noryl [®] with brass threaded insert
Mechanical Seal	Type 6A or equal, Buna-N elastomers, carbon and ceramic sealing faces, stainless steel metal parts
Bearings	Upper sleeve and lower ball bearings
Exterior Hardware and Nameplate	Stainless steel
Motor	4/10 hp, 1500 RPM, 115V single phase, 60 Hz, oil-filled. Thermal overload protection with automatic reset
Power Cord	20' water resistant 16-3 SJTW-A/SJTW with integrally grounded three-prong plug
Maximum Liquid Temperature	130°F 55°C
Agency Listing	CSA

In order to provide the best products possible, specifications are subject to change.

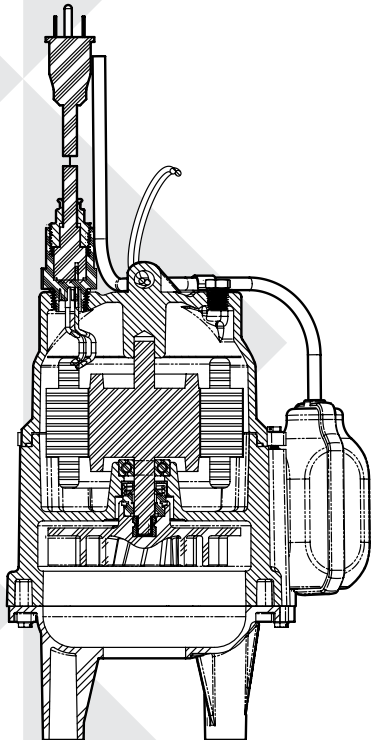


Dimensional Data

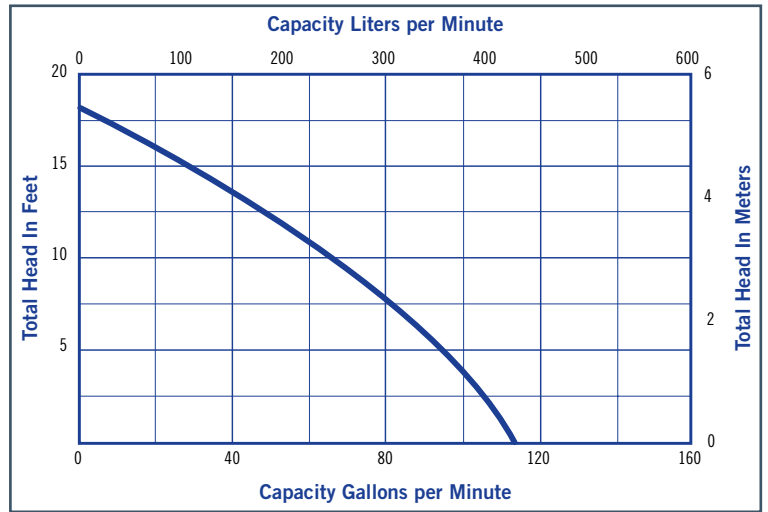
Dimensions (in inches) are for estimating purposes only.



Sectional View



Pump Performance



Ordering Information								
Catalog Number	HP	Max. Load Amps	Volts	Phase/Cycle	Cord Length	Mechanical Switch Type	Switch Setting	
							On	Off
DS40-20-A1	4/10	12.5	115	1/60	20'	Tethered	16"	7"



8263 FLORIDA BLVD., DENHAM SPRINGS, LA 70727, 225-665-6162, 1 (800) 219-9183 | WWW.DELTAENVIRONMENTAL.COM

Noryl® is a registered trademark of General Electric Co.

Delta Environmental® is a registered trademark of Pentair Ltd.

Because we are continuously improving our products and services, Pentair reserves the right to change specifications without prior notice.

K4487 08/21/13 © 2013 Pentair Ltd. All Rights Reserved.