

DELTA ENVIRONMENTAL[®]

DE40H SERIES

Cast Iron Submersible High Head Effluent Pumps

The DE40H Series Pump is a rugged, submersible cast iron pump with a solids handling, semiopen impeller and solids handling capability to 3/4". Unit has a 4/10 hp single phase motor complete with power cord. 2" NPT vertical discharge is standard. A full selection of accessories for automatic operation is available, and includes float switches, duplex controllers, simplex controllers, alarms, basins and check valves.

Applications

- Effluent and wastewater removal
- Sump drainage
- Dewatering
- Flood control

Features

- Bearings and mechanical seal permanently lubricated for long life.
- Rugged cast iron pump body and motor housing for applications needing a durable pump.
- Solids handling vortex style impeller, pump-out vanes for seal protection.
- Built-in thermal overload protection with automatic reset on single phase.
- Cord design prevents oil loss from and moisture protection for motor.
- Heavy-duty lift-out ring, field serviceable.
- 3/4" spherical solids handling capability.
- Stainless steel hardware allows for easy disassembly after extended service.
- Standard controls available for automatic operation.



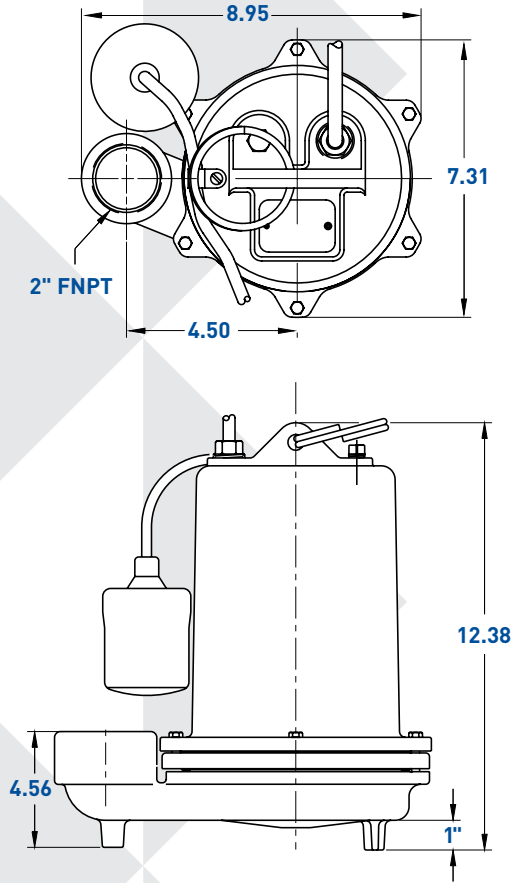
Pump Specifications	
Motor Cover	Cast iron
Volute	Cast iron
Impeller	Fiberglass reinforced Noryl [®] with threaded insert
Mechanical Seal	Type 6A or equal, Buna-N elastomers, carbon and ceramic sealing faces, stainless steel metal parts
Bearings	Lower ball, upper sleeve type, oil lubricated
Exterior Hardware and Nameplate	Stainless steel
Motor	4/10 hp 3450 RPM, 115V or 230V single phase, 60 Hz. Oil-filled. Built-in thermal overload protection with automatic reset and permanent split capacitor on single phase only. Stainless steel motor shaft.
Power Cord	20' oil and water resistant 18-3 SJTW-A/SJTW with integrally grounded 3-prong plug, single phase. UL Listed. Stainless steel cord connector.
Maximum Liquid Temperature	130°F 55°C
Agency Listing	CSA

In order to provide the best products possible, specifications are subject to change.

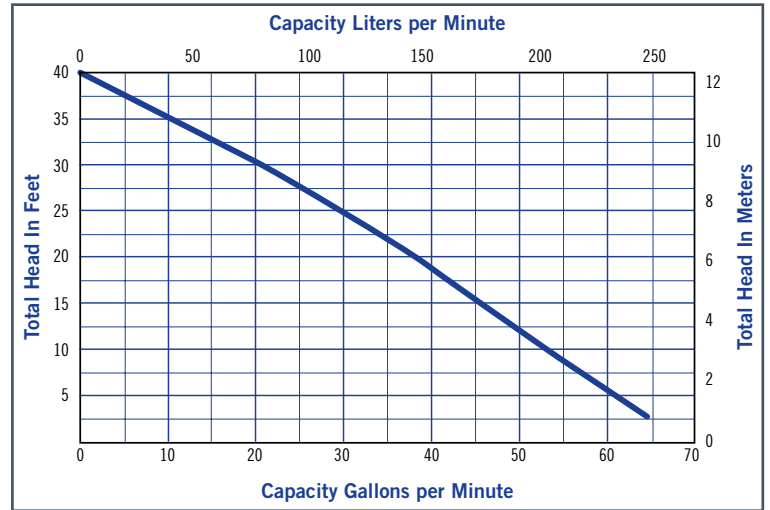


Dimensional Data

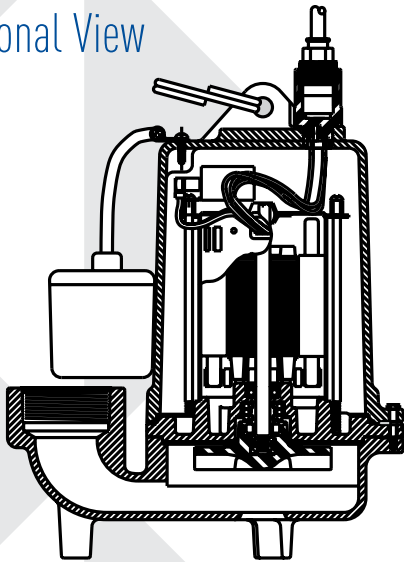
Dimensions (in inches) are for estimating purposes only.



Pump Performance



Sectional View



Ordering Information

Catalog Number	HP	Max. Load Amps	Volts	Phase/Cycle	Cord Length	Mechanical Switch Type	Switch Setting	
							On	Off
DE40H-20-M1	4/10	9.7	115	1/60	20'	Manual	-	-
DE40H-A1	4/10	9.7	115	1/60	20'	Tethered	16.5"	7.5"



8263 FLORIDA BLVD., DENHAM SPRINGS, LA 70727, 225-665-6162, 1 (800) 219-9183 | WWW.DELTAENVIRONMENTAL.COM

Noryl® is a registered trademark of General Electric Co.

Delta Environmental® is a registered trademark of Pentair Ltd.

Because we are continuously improving our products and services, Pentair reserves the right to change specifications without prior notice.

K4486 08/21/13 © 2013 Pentair Ltd. All Rights Reserved.