

# DELTA ENVIRONMENTAL<sup>®</sup>

## DE200 SERIES

### Cast Iron Submersible Effluent Pumps

The DE200 Series Pump is a rugged, submersible cast iron pump with solids handling, semiopen impeller and solids handling capability to 3/4". Unit is available in 230V single phase and comes complete with a 20' power cord. 2" NPT vertical discharge is standard. A full selection of accessories for automatic operation is available, and includes float switches, duplex controllers, simplex controllers, alarms, basins and check valves.

### Applications

- Effluent and wastewater removal
- Sump drainage
- Dewatering
- Flood control

### Features

- Dual shaft seals – primary mechanical seal with a secondary self-lubricating lip seal.
- Rugged cast iron pump body and motor housing for applications needing a durable pump.
- Bearings and mechanical seal permanently lubricated for long life.
- Solids handling semiopen impeller.
- Built-in thermal overload protection with automatic reset on single phase.
- Cord design prevents oil loss from and moisture protection for motor.
- 3/4" spherical capability solids handling.
- Stainless steel hardware allows for easy disassembly after extended service.
- Standard controls available for automatic operation.



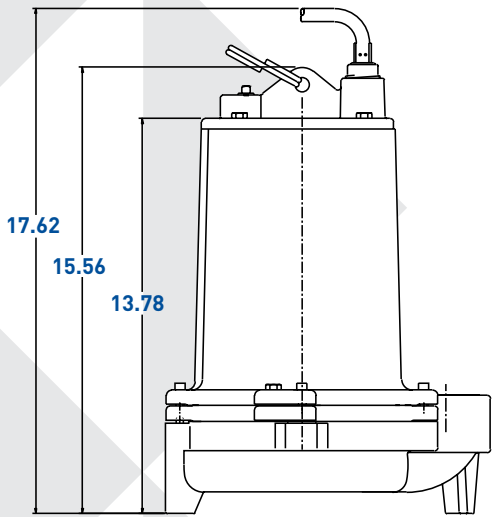
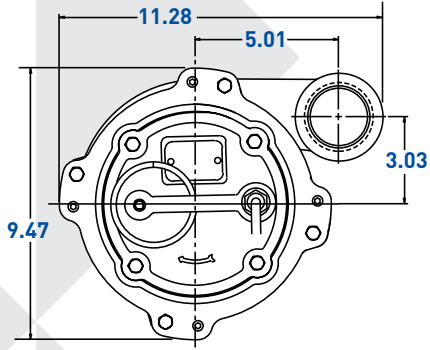
Pump Specifications		
Volute Casing	Cast iron	
Upper and Lower Motor Housing	Cast iron	
Impeller	Cast iron	
Shaft Seal	Primary: mechanical type 6A or equal, Buna-N elastomers, silicon carbide sealing faces, stainless steel metal parts Secondary: self-lubricating lip seal	
Mechanical Seal	Type 6A or equal, Buna-N elastomers, silicon carbide sealing faces, stainless steel metal parts	
Bearings	Ball type, oil lubricated	
Exterior Hardware and Nameplate	Stainless steel	
Motor	2 hp, 3450 RPM, 230V single phase, 60 Hz, oil-filled. Built-in thermal overload protection with automatic reset and permanent split capacitor on single phase only. Stainless steel motor shaft and impeller lock nut.	
Power Cord	20' oil and water resistant 16-3 SJTW-A/SJTW with integrally grounded 3-prong plug. UL Listed.	
Maximum Liquid Temperature	130°F	55°C
Agency Listing	CSA	

In order to provide the best products possible, specifications are subject to change.

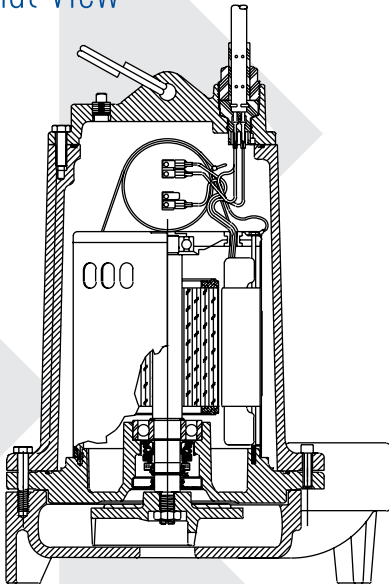


## Dimensional Data

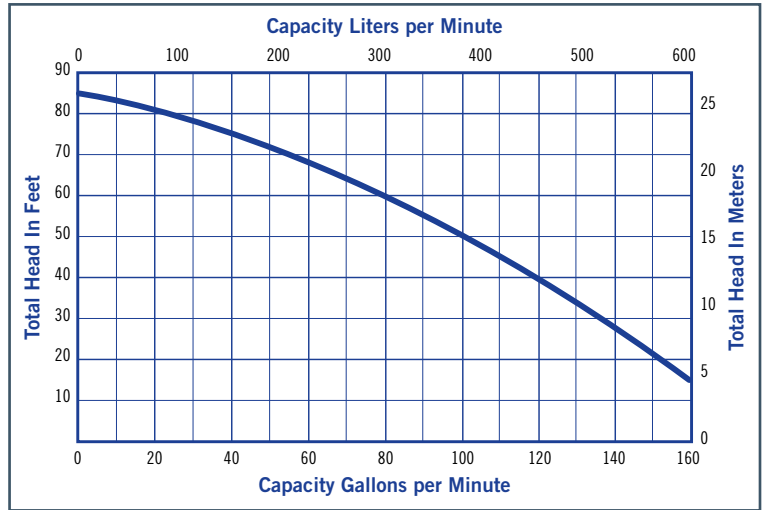
Dimensions (in inches) are for estimating purposes only.



## Sectional View



## Pump Performance



Ordering Information									
Catalog Number	HP	Max. Load Amps	Volts	Phase/Cycle	Cord Length	Mechanical Switch Type	Switch Setting		
							On	Off	
DE200-20-M2	2	9.3	230	1/60	20'	Manual	-	-	

\*All DE200 Series Pumps have 3/4" solids handling capability and 2" NPT discharge.



8263 FLORIDA BLVD., DENHAM SPRINGS, LA 70727, 225-665-6162, 1 (800) 219-9183 | WWW.DELTAENVIRONMENTAL.COM

Because we are continuously improving our products and services, Pentair reserves the right to change specifications without prior notice.  
K4485 08/21/13 © 2013 Pentair Ltd. All Rights Reserved.