

DELTA ENVIRONMENTAL[®]

DS100/DS150/DS200 SERIES

Cast Iron Submersible Sewage Pumps

The DS100/DS150/DS200 Series Pumps are rugged, cast iron, submersible pumps with a solids handling, two-vane, semiopen impeller and solids handling capability to 2". Unit available with 1 – 2 hp motors complete with 20' power cord. Available with either a 2" NPT or 3" NPT vertical discharge.

Applications

- Sewage, effluent and wastewater removal and transfer
- Sump drainage
- Dewatering
- Flood control

Features

- Bearings and mechanical seal permanently lubricated for long life.
- Rugged cast iron pump body and motor housing for applications needing a durable pump.
- Solids handling two vane semiopen style impeller.
- Built-in thermal overload protection with automatic reset on single phase.
- Heavy-duty lift-out ring, field serviceable.
- 2" spherical solids handling capability.
- Dual shaft seals – primary mechanical seal with a secondary self-lubricating lip seal.
- Standard controls available for automatic operation.



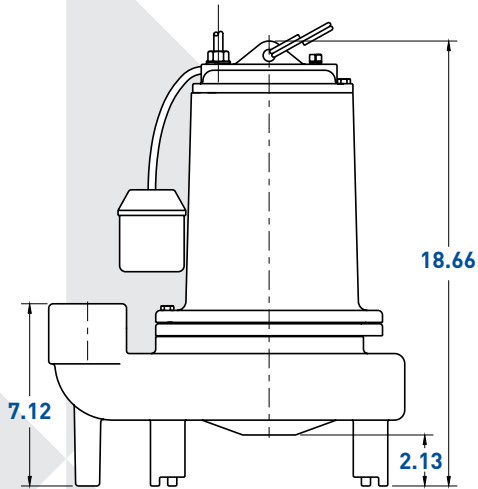
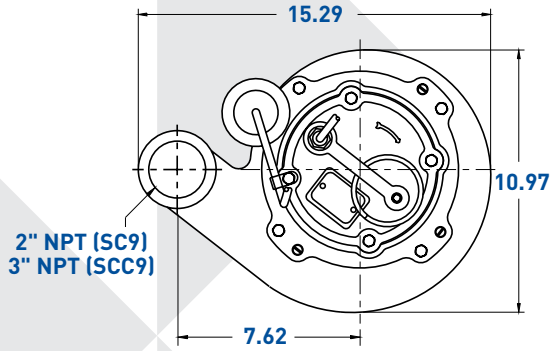
Pump Specifications	
Volute Casing	Cast iron
Upper and Lower Motor Housing	Cast iron
Impeller	Cast iron
Shaft Seal	Primary: mechanical type 21 or equal, Buna-N elastomers, silicon carbide seal faces, stainless steel metal parts; Secondary: self-lubricating energized nitrile lip seal
Bearings	Ball type, oil lubricated
Exterior Hardware and Nameplate	Stainless steel
Motor*	1, 1-1/2 and 2 hp, 1725 RPM, 230V single phase, 60 Hz. Oil-filled. Built-in thermal overload protection with automatic reset and permanent split capacitor on single phase only. Stainless steel motor shaft and impeller lock nut.
Power Cord	20' UL/CSA Listed. 3-wire 16-3 SJTW-A/ SJTW water resistant cord with integrally grounded three-prong plug.
Oil-Filled Capacitor	Greatly enhances the continuous duty motor rating
Maximum Liquid Temperature	130°F 55°C
Agency Listing	CSA

In order to provide the best products possible, specifications are subject to change.

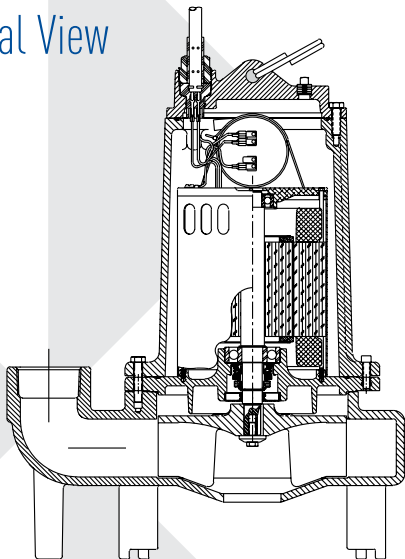


Dimensional Data

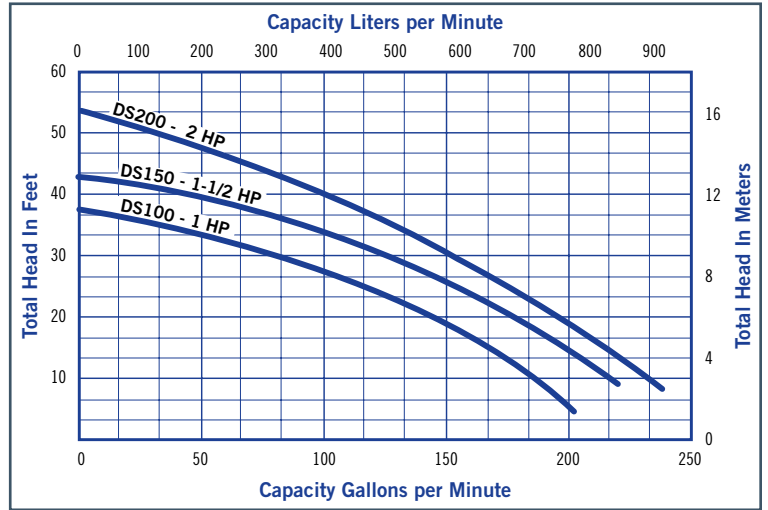
Dimensions (in inches) are for estimating purposes only.



Sectional View



Pump Performance



Ordering Information							
Catalog Number	HP	Max. Load Amps	Volts	Phase/Cycle	Cord Length	Mechanical Switch Type	Discharge
2" Discharge							
DS100-20-M2	1	8.5	230	1/60	20'	Manual	2" NPT
DS150-20-M2	1½	12.0	230	1/60	20'	Manual	2" NPT
DS200-20-M2	2	13.0	230	1/60	20'	Manual	2" NPT
3" Discharge							
DS1003-20-M2	1	8.5	230	1/60	20'	Manual	3" NPT
DS1503-20-M2	1½	12.0	230	1/60	20'	Manual	3" NPT
DS2003-20-M2	2	13.0	230	1/60	20'	Manual	3" NPT



8263 FLORIDA BLVD., DENHAM SPRINGS, LA 70727, 225-665-6162, 1 (800) 219-9183 | WWW.DELTAENVIRONMENTAL.COM

Because we are continuously improving our products and services, Pentair reserves the right to change specifications without prior notice.
K4484 08/21/13 © 2013 Pentair Ltd. All Rights Reserved.