

DELTA ENVIRONMENTAL[®]

DS50H/DS75 SERIES

Cast Iron Submersible Sewage Pumps

The DS50H/DS75 Series Pumps are rugged, cast iron, submersible pumps with solids handling vortex impellers and solids handling capability to 2". Available with 1/2 or 3/4 hp, 115V or 230V single-phase motor complete with 20' power cord. The DS50H/DS75 Series have a 2" NPT vertical discharge. Includes float switches, simplex controllers, duplex controllers, basins, alarms and check valves.

Applications

- Sewage, effluent and wastewater removal and transfer
- Sump drainage
- Dewatering
- Flood control

Features

- Bearings and mechanical seal permanently lubricated for long life.
- Solids handling vortex style impeller with integral rim to reduce casing and impeller wear.
- Built-in thermal overload protection with automatic reset on single phase.
- Heavy-duty lift-out ring, field serviceable.
- 2" spherical solids handling capability.
- Stainless steel hardware allows for easy disassembly after extended service.



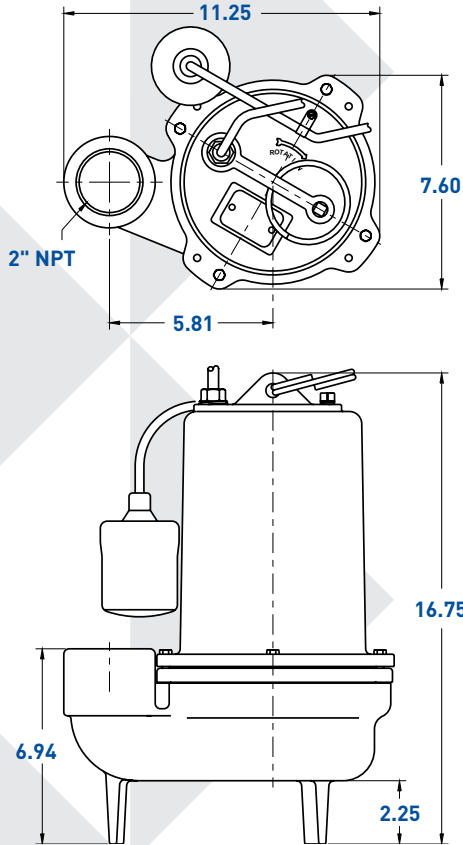
Pump Specifications	
Volute Casing	Cast iron
Upper and Lower Motor Housing	Cast iron
Impeller	Cast iron
Mechanical Seal	Type 6A or equal, Buna-N elastomers, silicon carbide sealing faces, stainless steel metal parts
Bearings	Ball type, oil lubricated
Lower Motor Housing O-Ring	Buna-N
Exterior Hardware and Nameplate	Stainless steel
Motor*	1/2 and 3/4 HP, 1725 RPM, 115V or 230V single-phase, 60 Hz. Oil-filled. Permanent split capacitor. Built-in thermal overload protection with automatic reset. Stainless steel motor shaft and impeller lock nut.
Power Cord	20' oil and water resistant 16-3 SJTW-A/SJTW with UL Listed integrally grounded three-prong plug
Oil-Filled Capacitor	Greatly enhances the continuous duty motor rating
Maximum Liquid Temperature	130°F 55°C
Agency Listing	CSA

In order to provide the best products possible, specifications are subject to change.

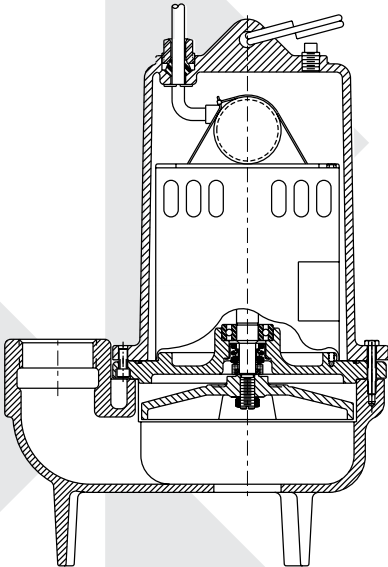


Dimensional Data

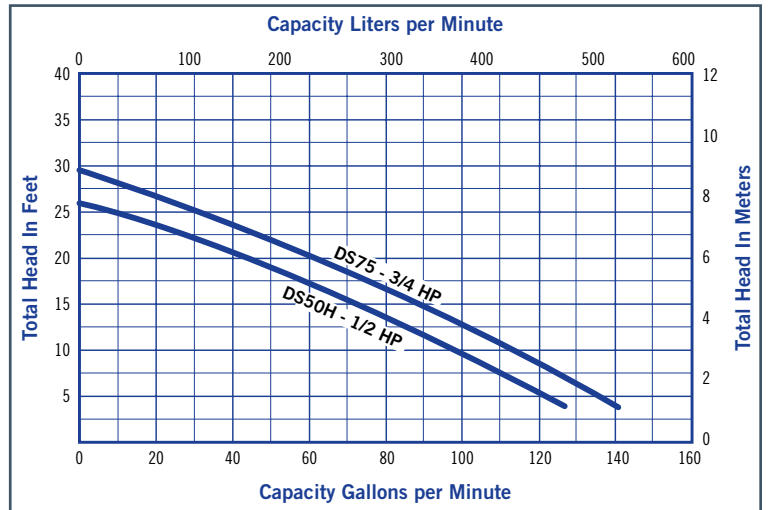
Dimensions (in inches) are for estimating purposes only.



Sectional View



Pump Performance



Ordering Information								
Catalog Number	HP	Max. Load Amps	Volts	Phase/Cycle	Cord Length	Mechanical Switch Type	Switch Setting	
							On	Off
DS50H SERIES 2" Discharge								
DS50H-20-M1	1/2	11.2	115	1/60	20'	Manual	-	-
DS50H-20-A1	1/2	11.2	115	1/60	20'	Tethered	20"	11"
DS50H-20-M2	1/2	5.5	230	1/60	20'	Manual	-	-
DS75 SERIES 2" Discharge								
DS75-20-M1	3/4	12.0	115	1/60	20'	Manual	-	-
DS75-20-A1	3/4	12.0	115	1/60	20'	Tethered	20"	11"
DS75-20-M2	3/4	6.7	230	1/60	20'	Manual	-	-



8263 FLORIDA BLVD., DENHAM SPRINGS, LA 70727, 225-665-6162, 1 (800) 219-9183 | WWW.DELTAENVIRONMENTAL.COM

Because we are continuously improving our products and services, Pentair reserves the right to change specifications without prior notice.
K4483 08/21/13 © 2013 Pentair Ltd. All Rights Reserved.