

DELTA ENVIRONMENTAL[®]

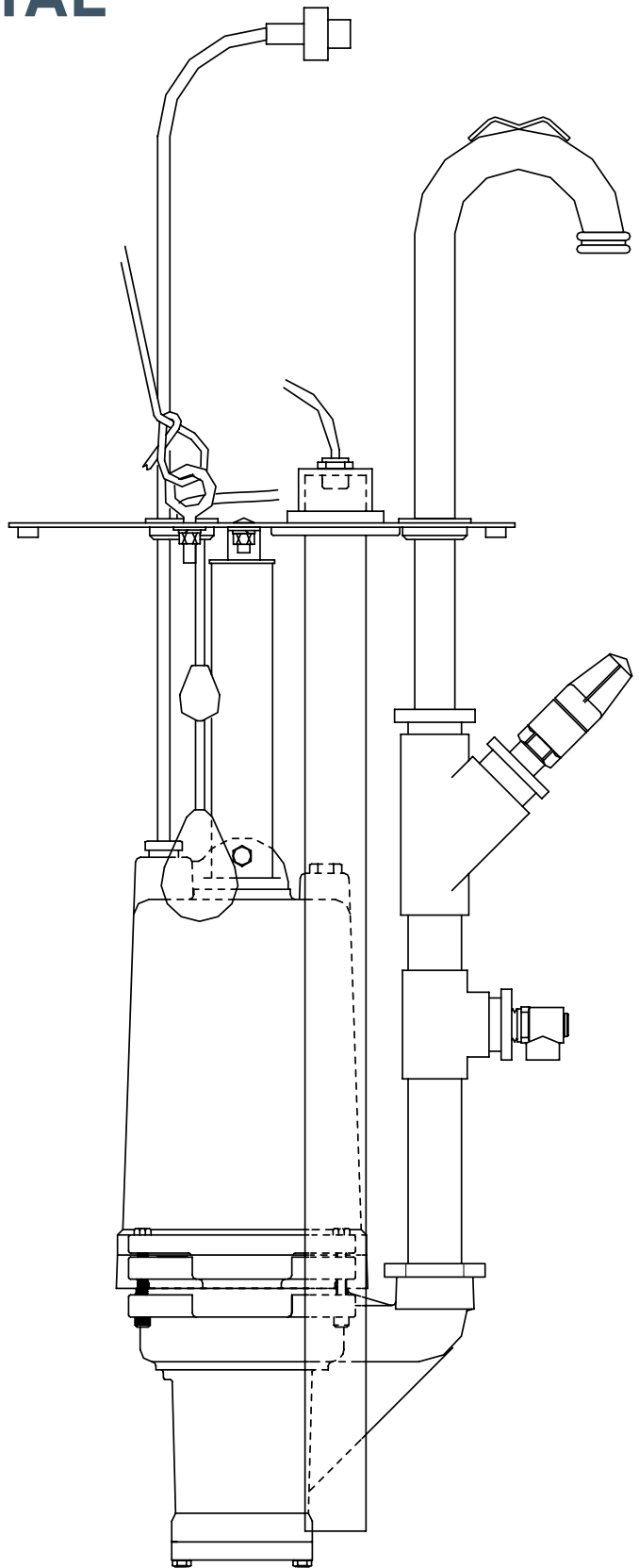
D1P20-21PCP

Retrofit System

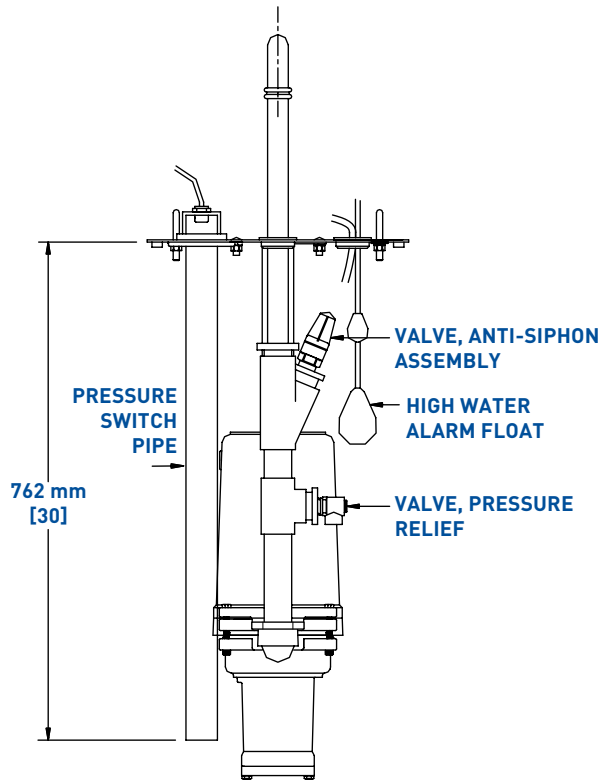
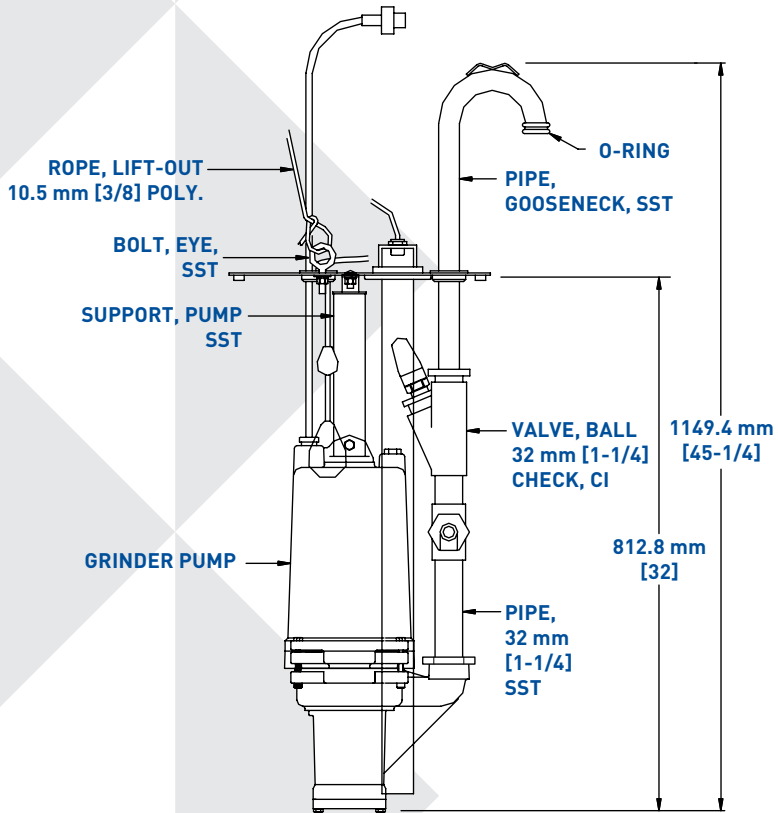
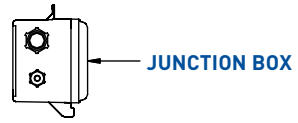
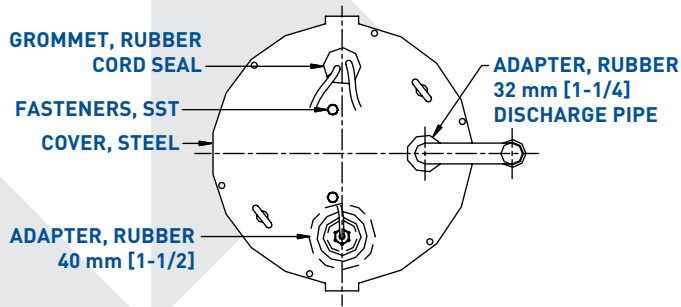
The D1P20-21PCP Retrofit System is completely assembled and easily installs into an existing progressing cavity grinder system. The dependable D1P20-21PCP Retrofit System features a semi-positive displacement submersible pump with pressure controls and a redundant high water alarm with mechanical float. No additional plumbing is required.

Features

- Completely assembled, ready to drop-in-place replacement package.
- Featuring the dependable D1P20-21 semipositive displacement grinder pump.
- Fast, simple and easy installation.
- Affordable.
- Long-life, dependable operation.
- State-of-the-art pressure controls with an ROHS compliant high water alarm float.
- Retrofits existing progressing cavity grinder systems.



Installation Details [Dimensions in inches]



8263 FLORIDA BLVD., DENHAM SPRINGS, LA 70727, 225-665-6162, 1 (800) 219-9183 | WWW.DELTAENVIRONMENTAL.COM

Because we are continuously improving our products and services, Pentair reserves the right to change specifications without prior notice.
 K4371 08/21/13 © 2013 Pentair Ltd. All Rights Reserved.