

DELTA ENVIRONMENTAL[®]

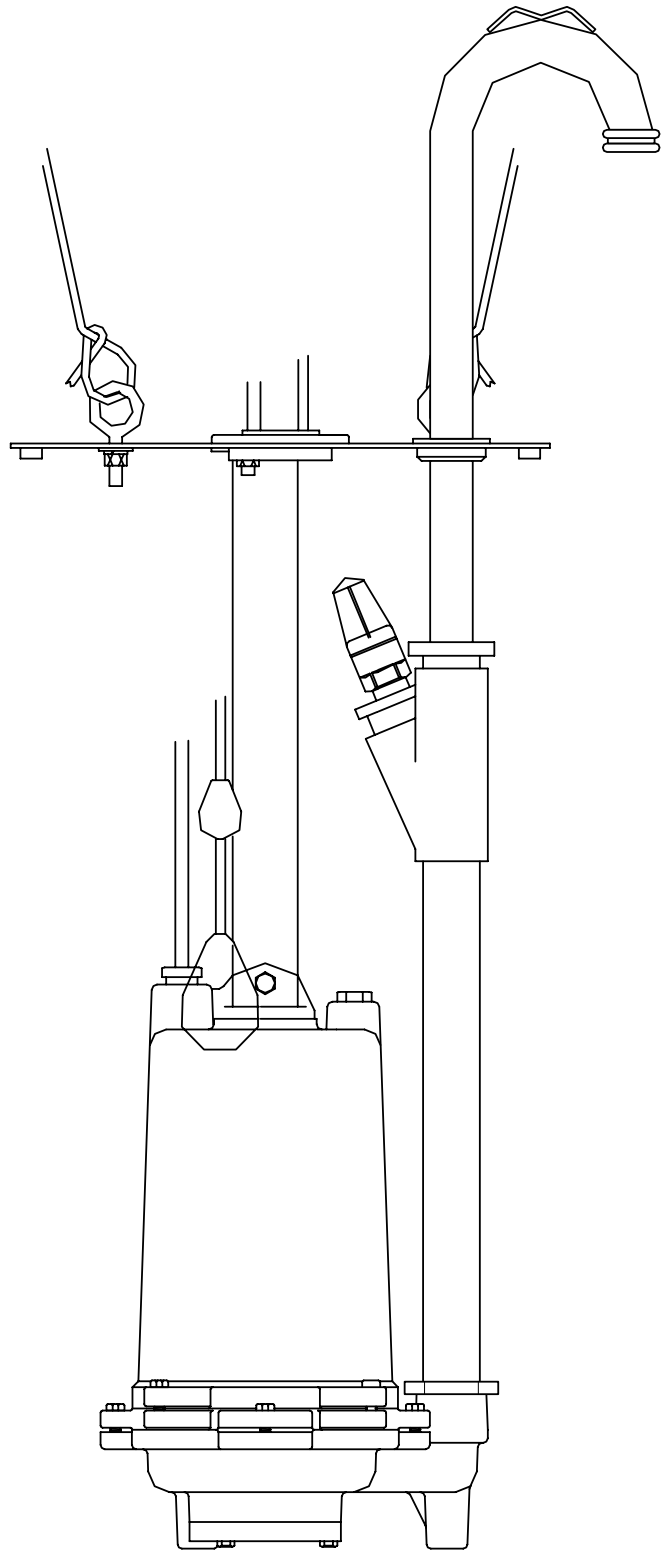
D1C20-21PCF

Retrofit System

The D1C20-21PCF Retrofit System is completely assembled and easily installs into an existing progressing cavity grinder system. The package system features the highly reliable D1C20-21 grinder pump with DFC float controls and no additional plumbing is required.

Features

- Completely assembled, ready to drop-in-place replacement package.
- Featuring the dependable D1C20-21 grinder pump.
- Fast, simple and easy installation.
- Affordable.
- Long-life, dependable operation.
- Retrofits existing progressing cavity grinder systems.



Installation Details [Dimensions in inches]

