

DELTA ENVIRONMENTAL[®]
DGF12-LPS
DUPLEX FLEX HOSE SYSTEM



DELTA ENVIRONMENTAL®

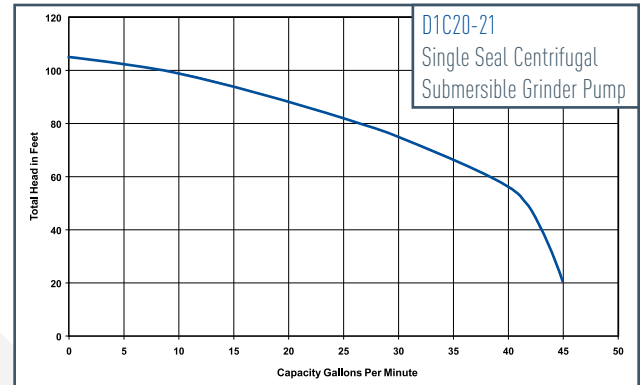
Duplex Flex Hose System

The Changing Force in Pressure Sewer

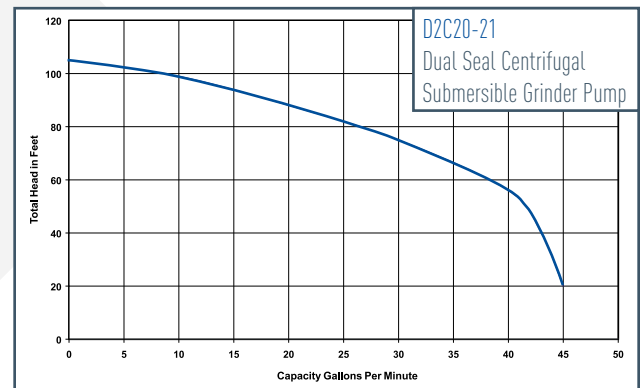
The DGF12-LPS Flex Hose System is tailored to your specific hydraulic needs for low pressurized sewer system requirements. Engineered with an Easy Slip Fit connection with integral ball check valve for quick installations and comes complete with SST hardware and anti-siphon protection, the DGF12-LPS Flex Hose System is the preferred choice. Offered in simplex or duplex design with either semi-positive displacement or centrifugal submersible grinder pumps coupled with a range of quality controls and accessories.

System Details

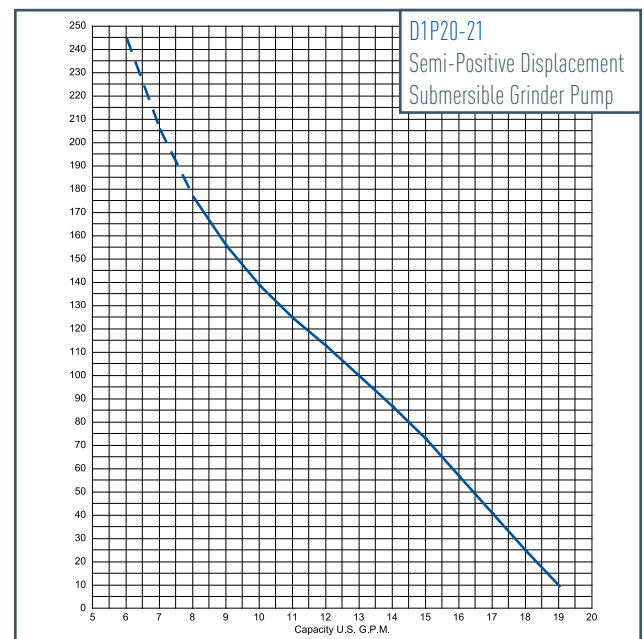
- Slip-fit connection, ball valve, and brass shut-off valve attached to an extended handle for quick installation and servicing.
- Fast and easy grinder pump installation. No need for personnel to enter the basin.
- Heavy-duty, 1-1/4" flexible hose and SST discharge pipe for optimal performance.
- Durable brass valve with engineered ABS screen for anti-siphon protection.
- Sturdy SST wire support base for pump.
- Corrosion resistant components.
- Available with pressure or float activation.



See K4268 for more details



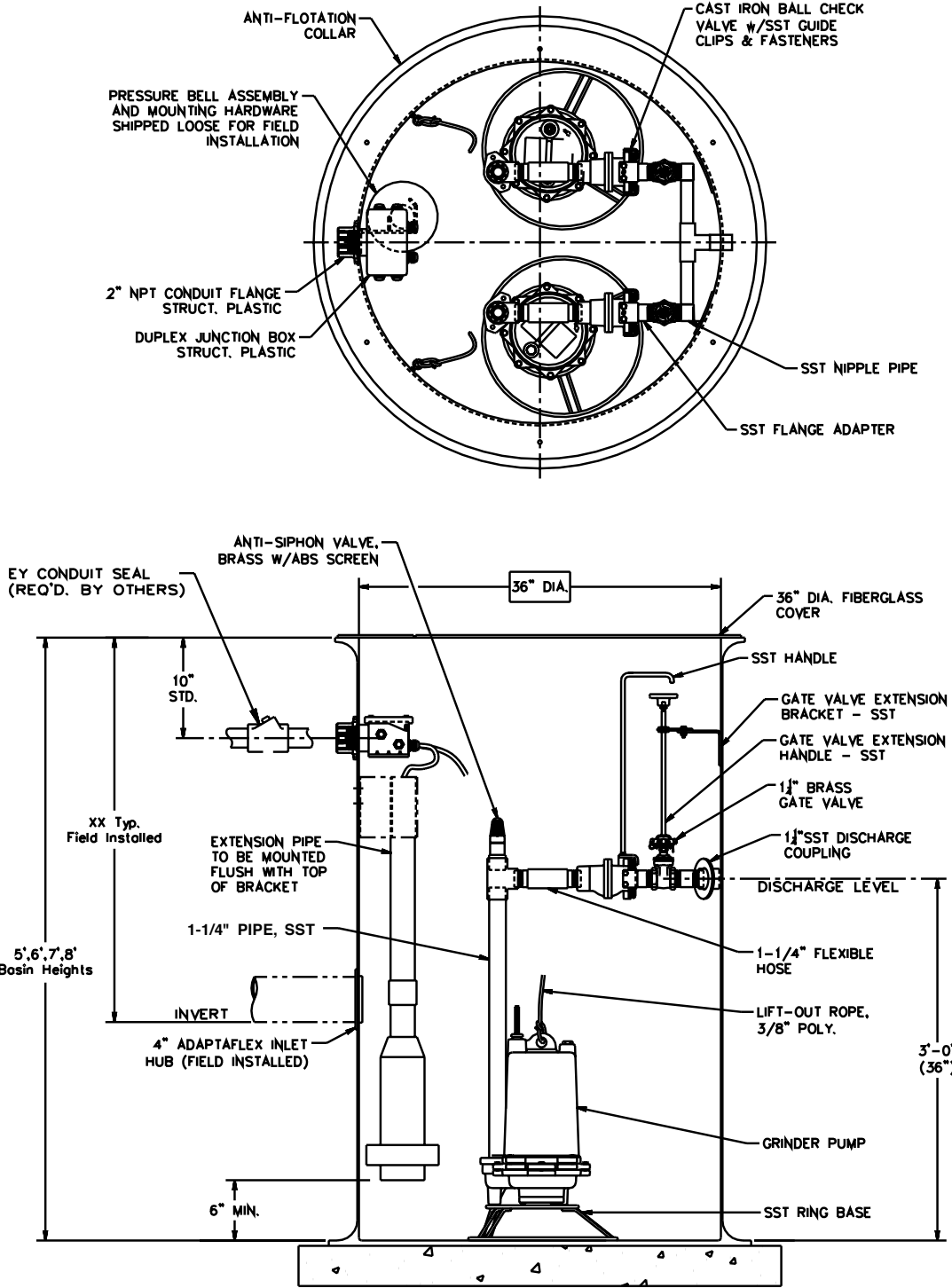
See K4269 for more details



See K4267 for more details

D1C20-21

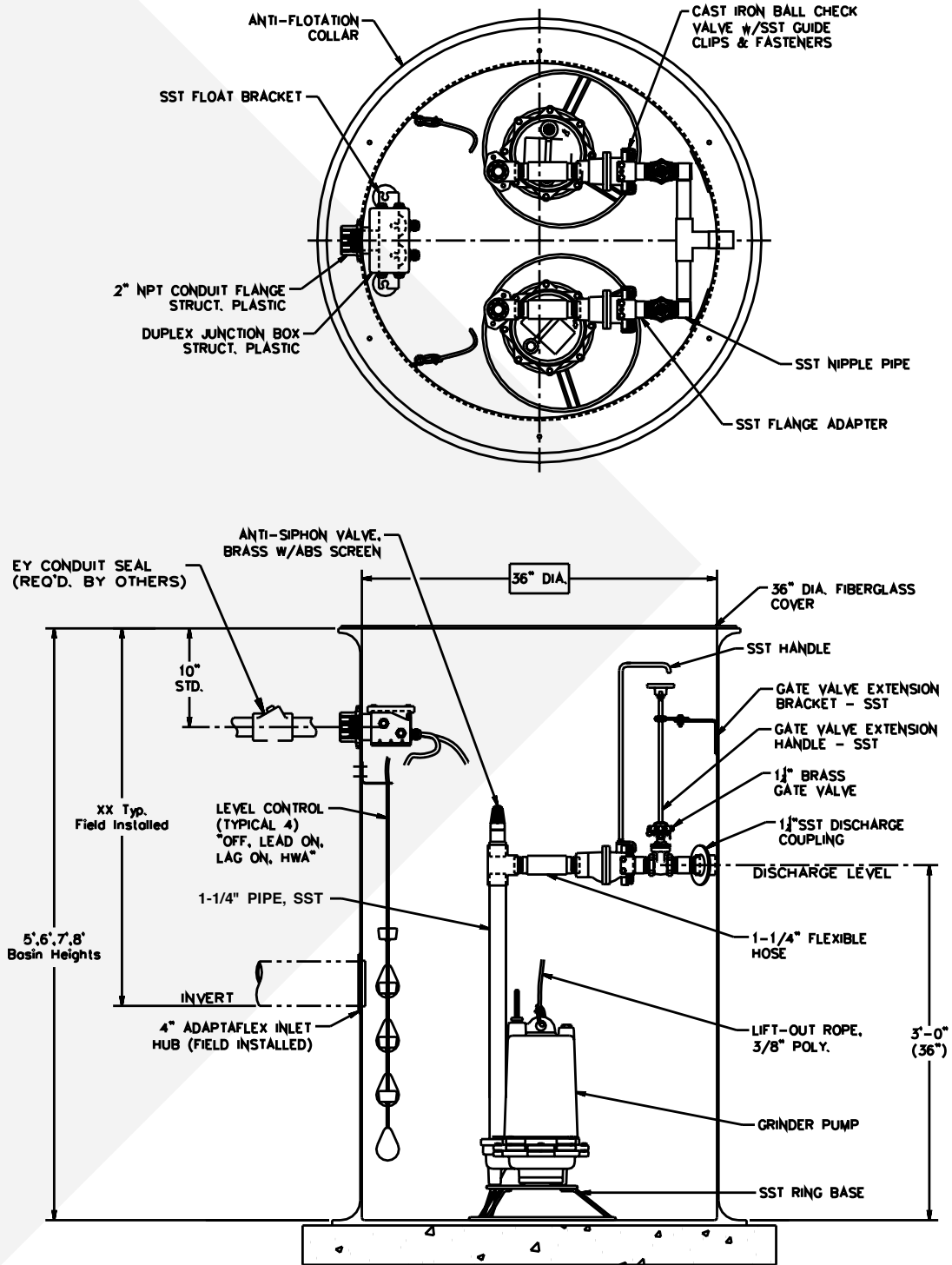
Control: DPC
Type: Duplex



D1C20-21

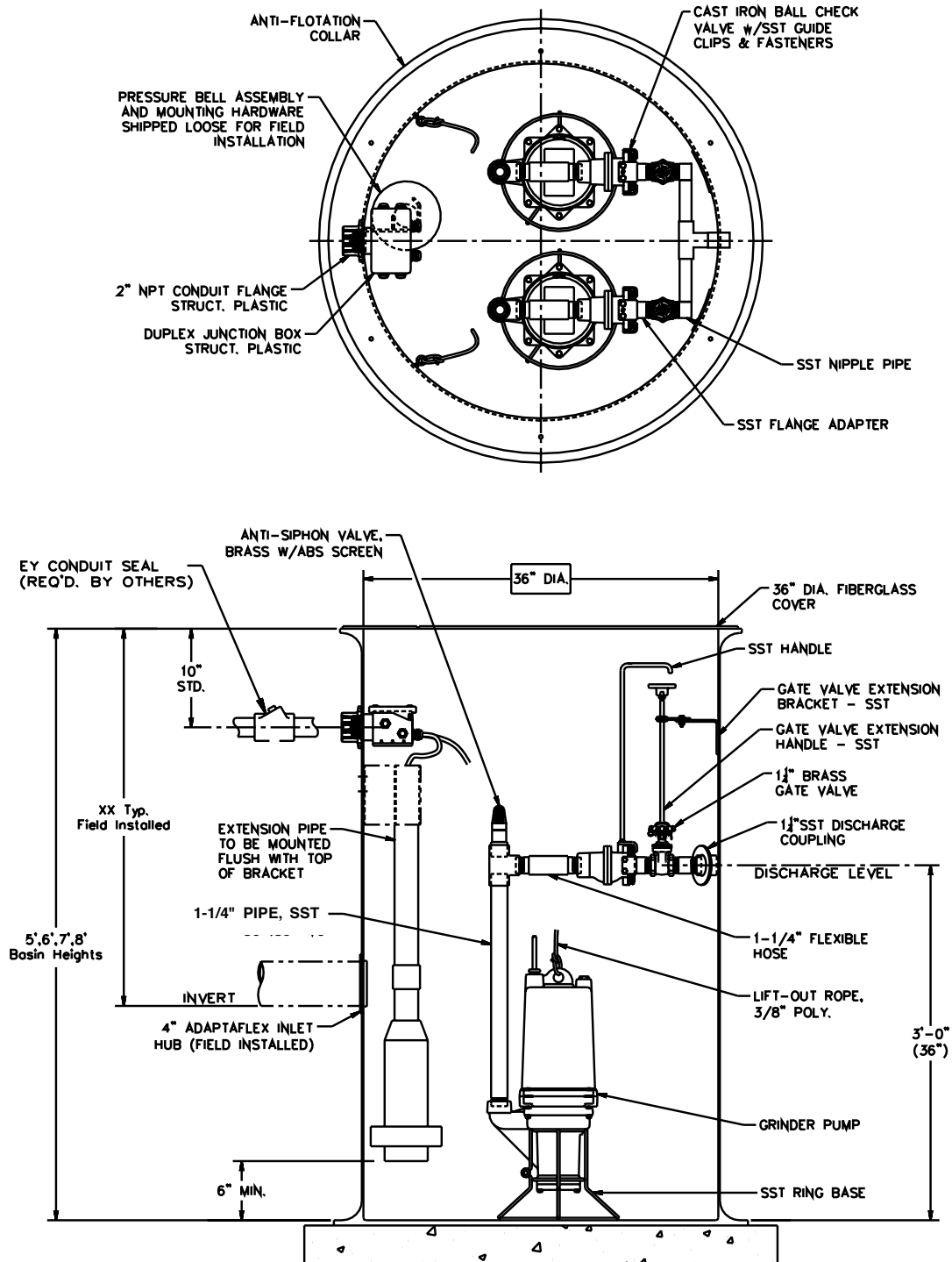
Control: DFC

Type: Duplex



D1P20-21

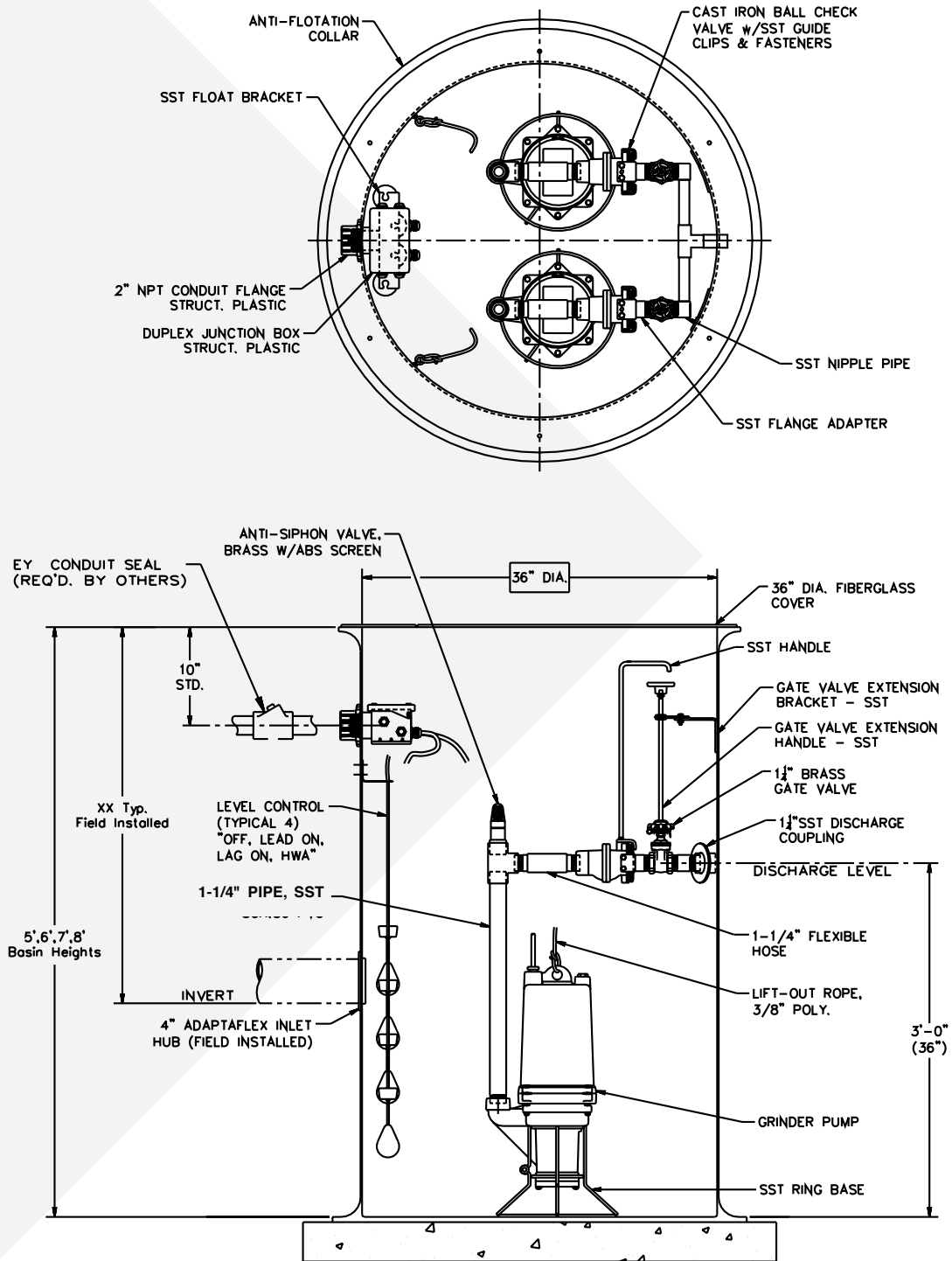
Control: DPC
Type: Duplex



D1P20-21

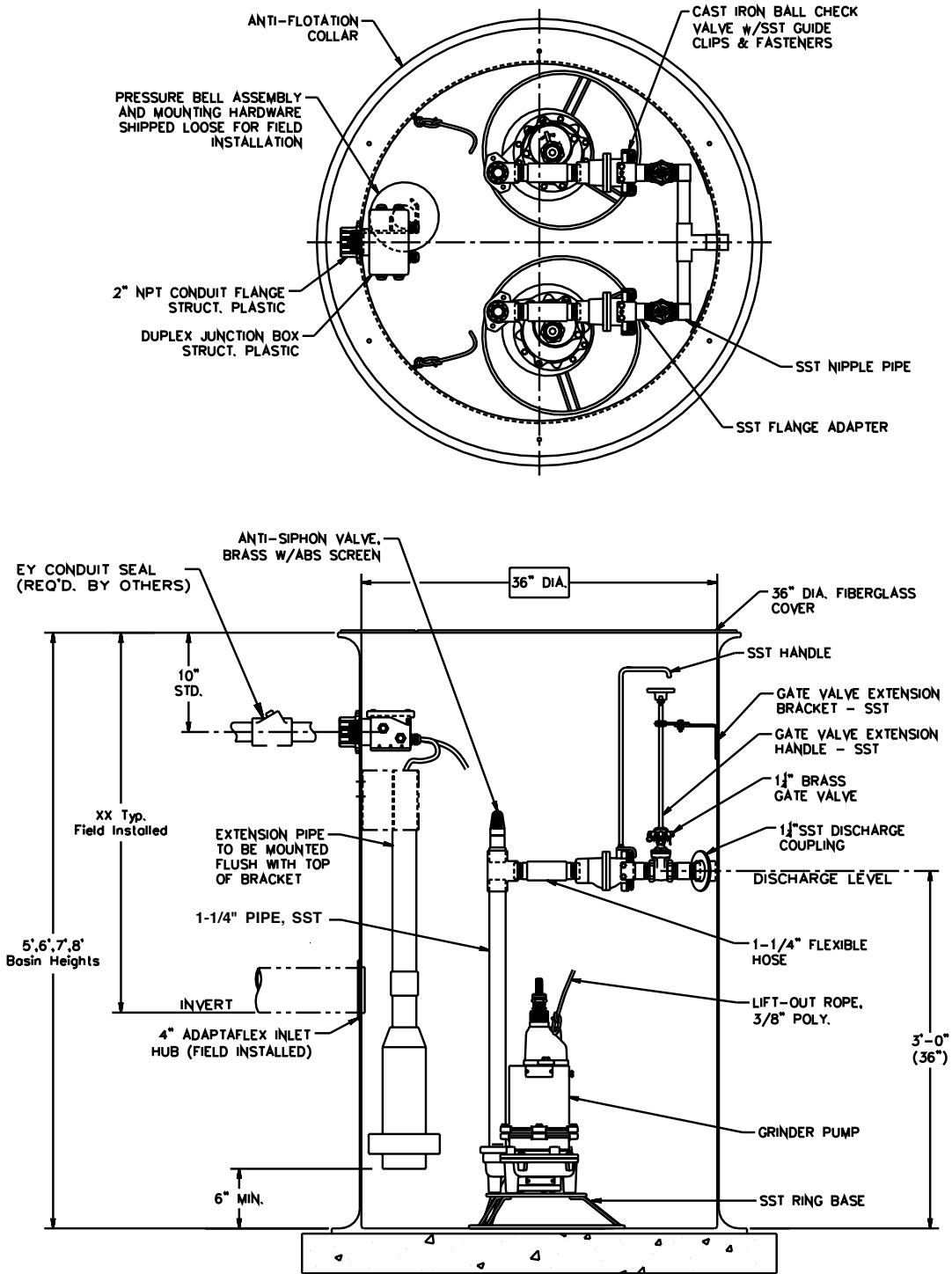
Control: DFC

Type: Duplex



D2C20-21

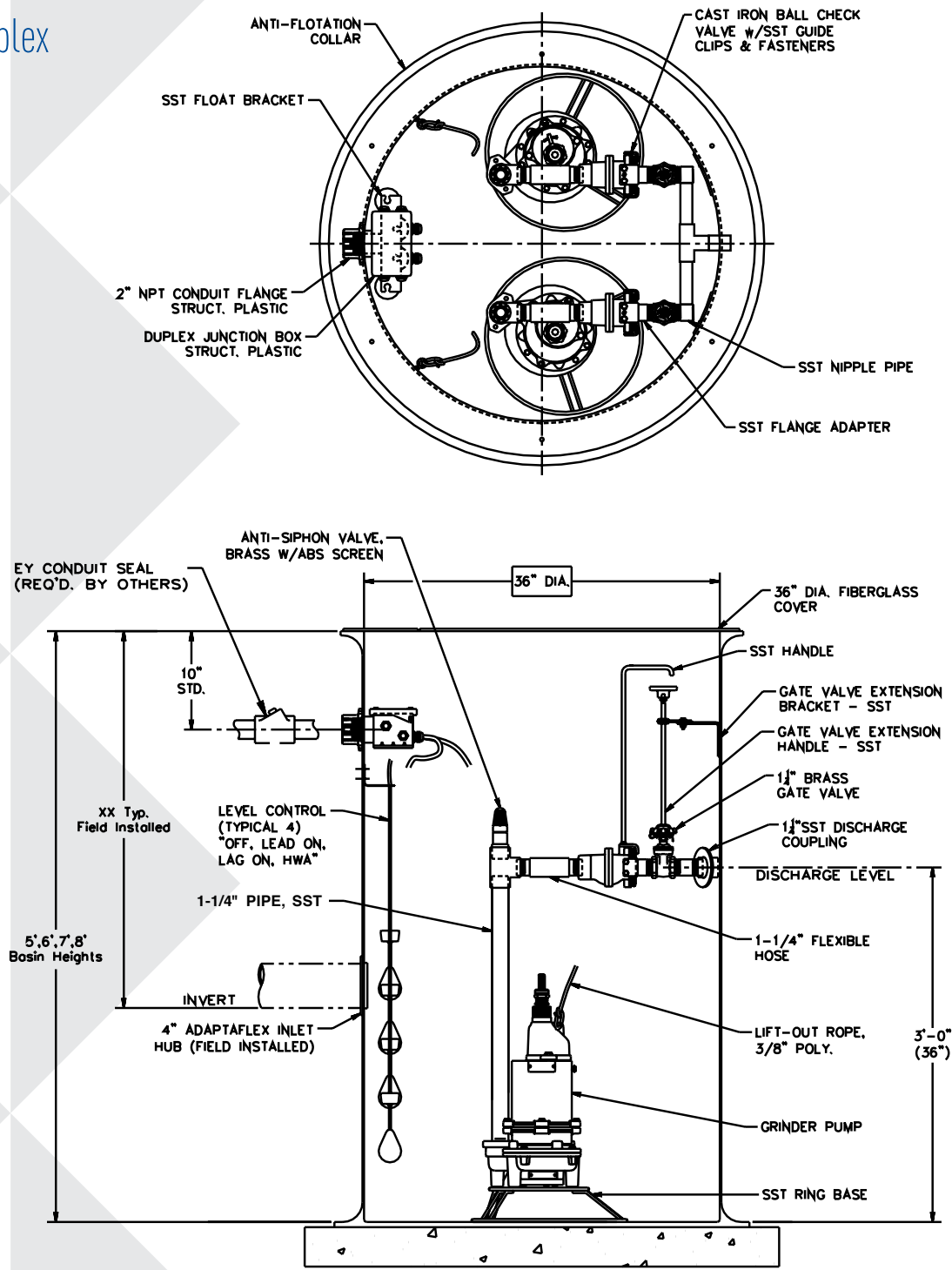
Control: DPC
Type: Duplex



D2C20-21

Control: DFC

Type: Duplex



8263 FLORIDA BLVD., DENHAM SPRINGS, LA 70727, 225-665-6162, 1 (800) 219-9183 | WWW.DELTAENVIRONMENTAL.COM

Because we are continuously improving our products and services, Pentair reserves the right to change specifications without prior notice.
K4286 07/28/13 © 2013 Pentair Ltd. All Rights Reserved.