

DELTA ENVIRONMENTAL[®]
DGR12-LPS
DUPLEX RAIL SYSTEM



DELTA ENVIRONMENTAL®

Duplex Rail System

The Changing Force in Pressure Sewer

The DGR12-LPS Rail System is tailored to your specific hydraulic needs for low pressurized sewer system requirements. Engineered with heavy duty cast iron lift-out elbow with built-in check valve. SST hardware and anti-siphon protection, the DGR12-LPS Rail System is the preferred choice. Offered in simplex or duplex design with either semi-positive displacement or centrifugal submersible grinder pumps coupled with a range of quality controls and accessories.

PVC Shut-Off Valve and Traditional Float Controls

Easy to operate with extended handle. Dependable pressure bell liquid level controls are available for Delta Environmental Low Pressure Sewer Systems as an alternative to traditional float controls.

Lift-Out

Includes heavy-duty cast iron construction with SST brackets and integral ball check valve.

Fiberglass Basin and Anti-Siphon Protection

Corrosion resistant with anti-flotation ring. Multiple basin diameters and basin depths are available. Brass valve with ABS screen for superior anti-siphon protection.

- Built-in check valve
- Fast and easy pump removal
- No need for personnel to enter basin
- Heavy-duty cast iron construction
- Stainless steel brackets and rails ensures parts will not corrode.
- Positive machine fit with o-ring seal.
- Available with float or pressure controls



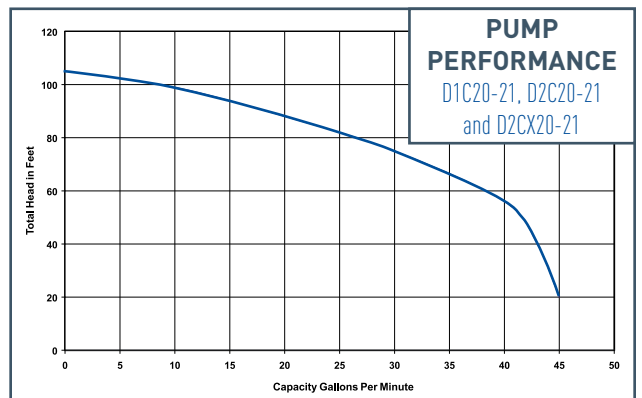
D1C20-21
Single Seal Centrifugal
Submersible Grinder Pump
See K4268 for more details



D2C20-21
Dual Seal Centrifugal
Submersible Grinder Pump
See K4269 for more details

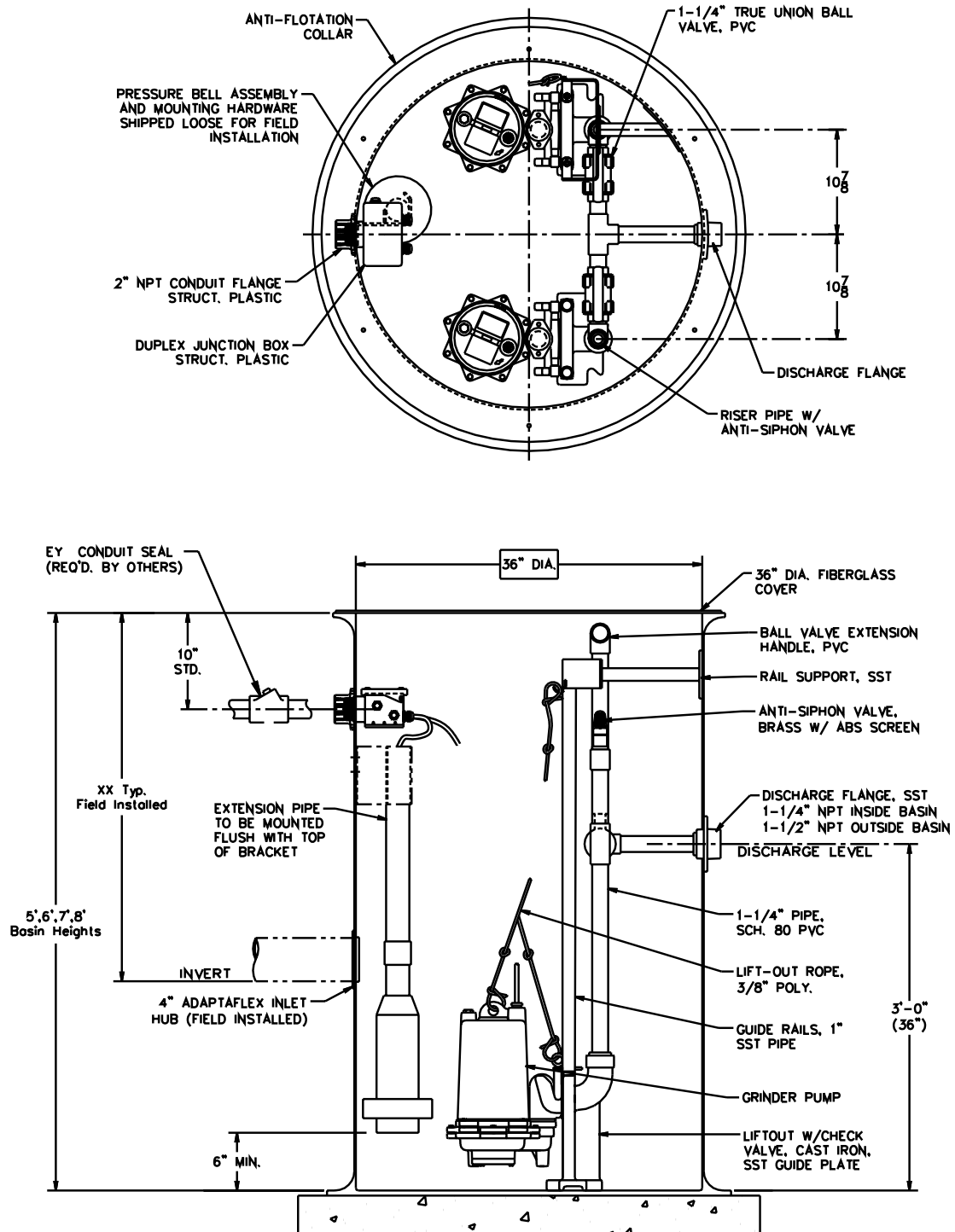


D2CX20-21
Dual Seal Centrifugal Hazardous Location
Submersible Grinder Pump Class 1, Group D for
hazardous locations
See K4266 for more details



D1C20-21

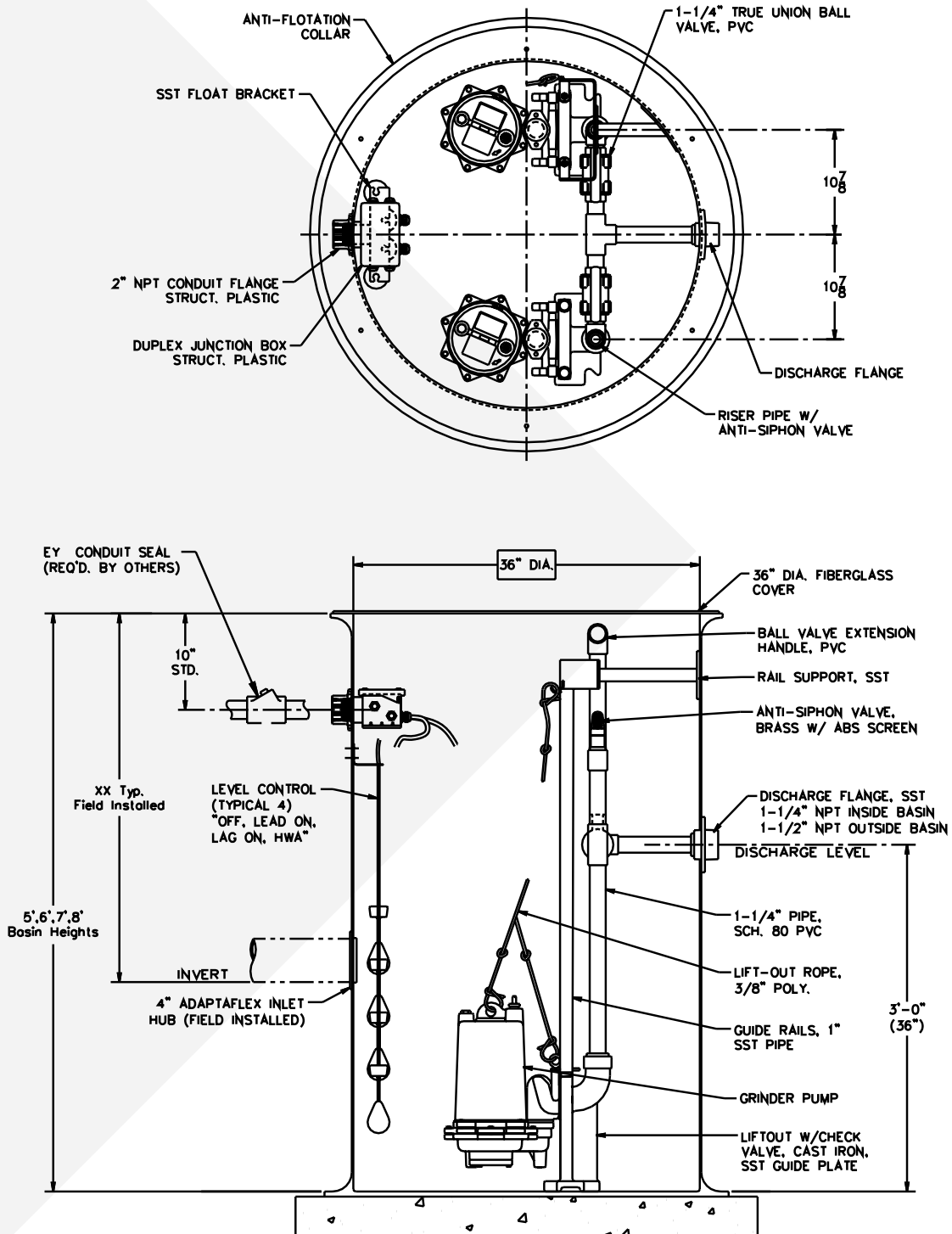
Control: DPC
Type: Duplex



D1C20-21

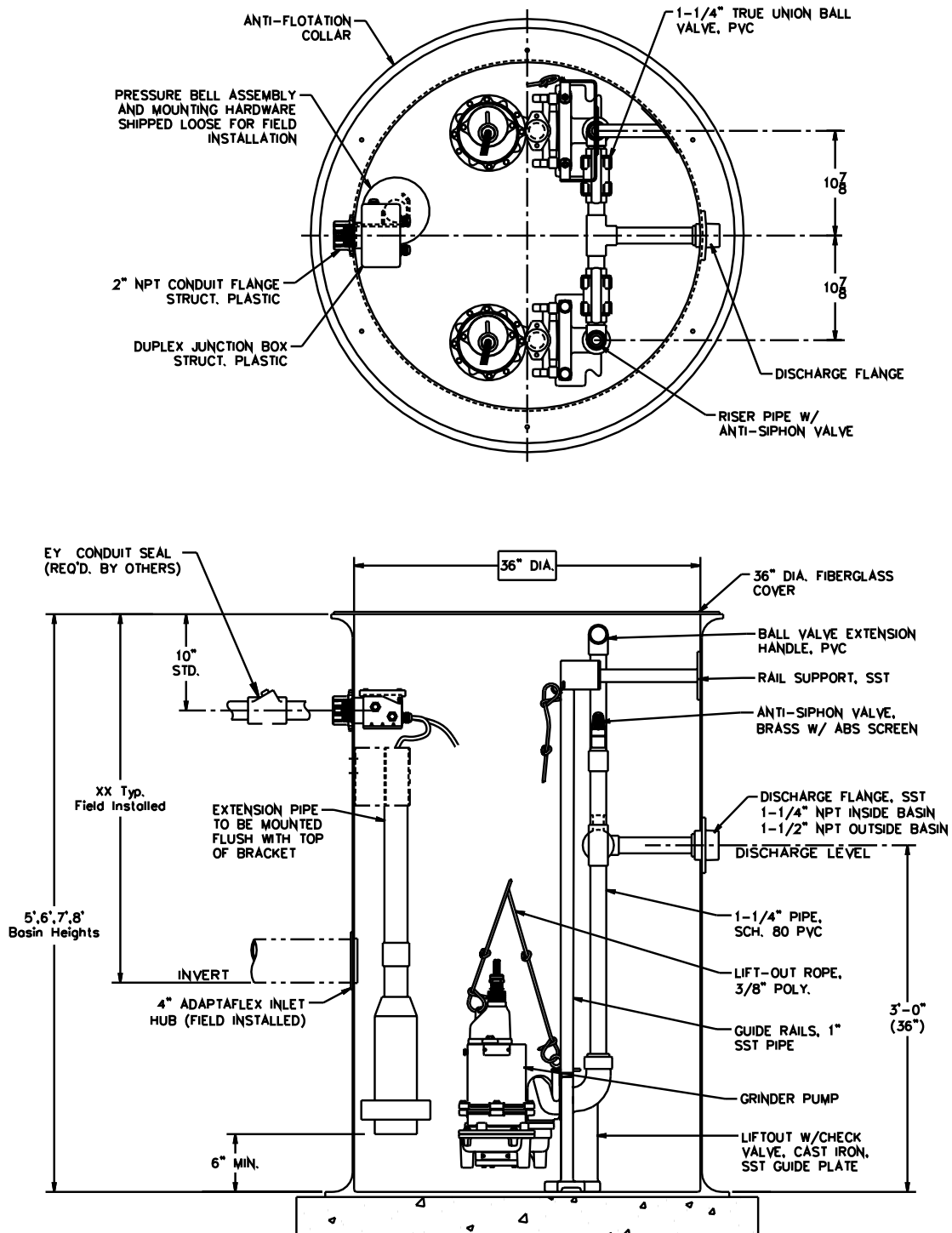
Control: DFC

Type: Duplex



D2C20-21

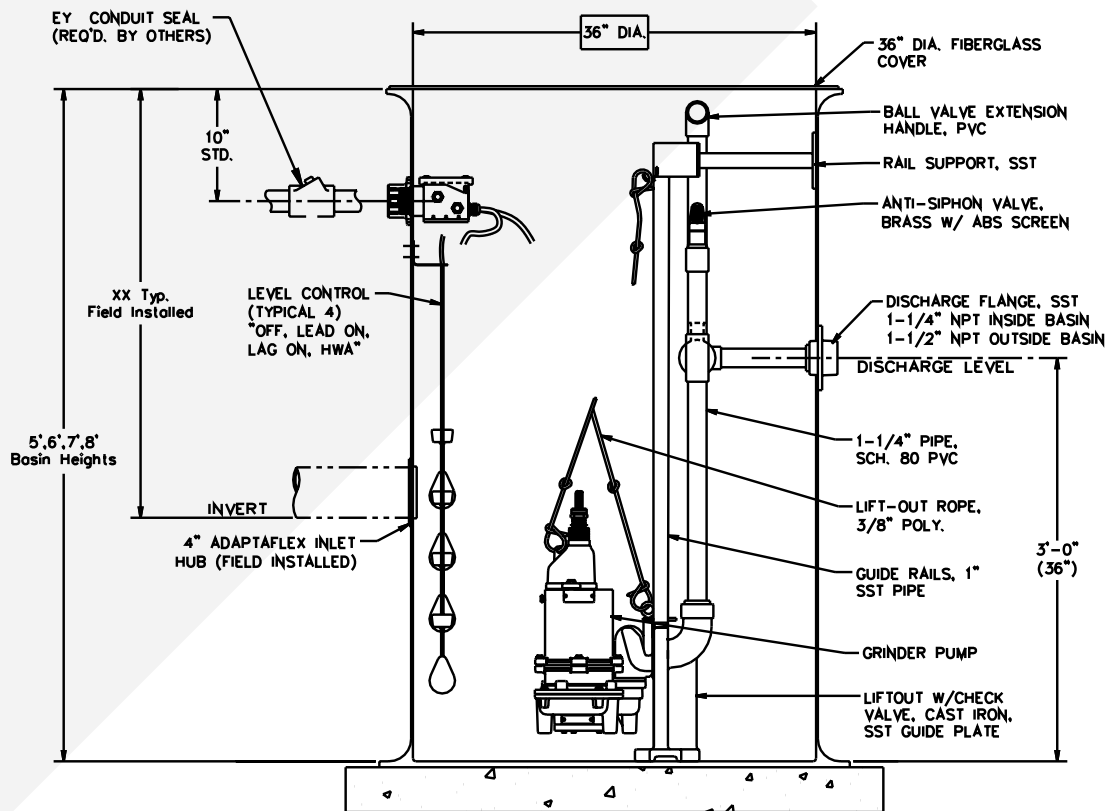
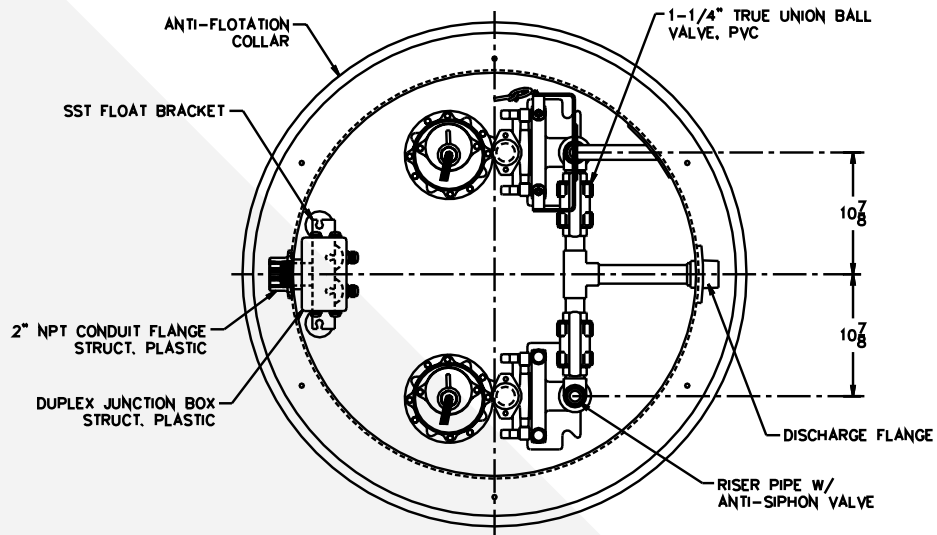
Control: DPC
Type: Duplex



D2C20-21

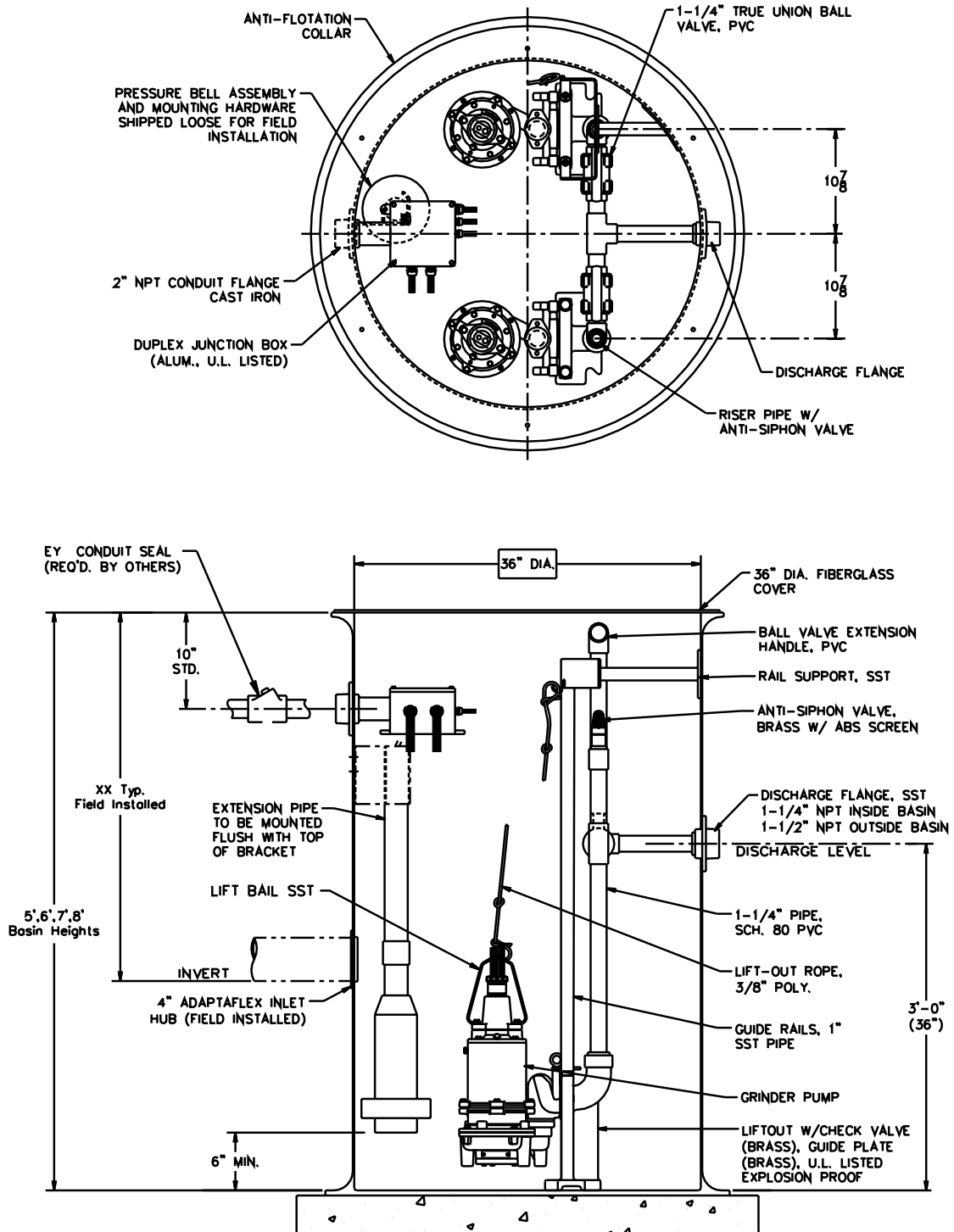
Control: DFC

Type: Duplex



D2CX20-21

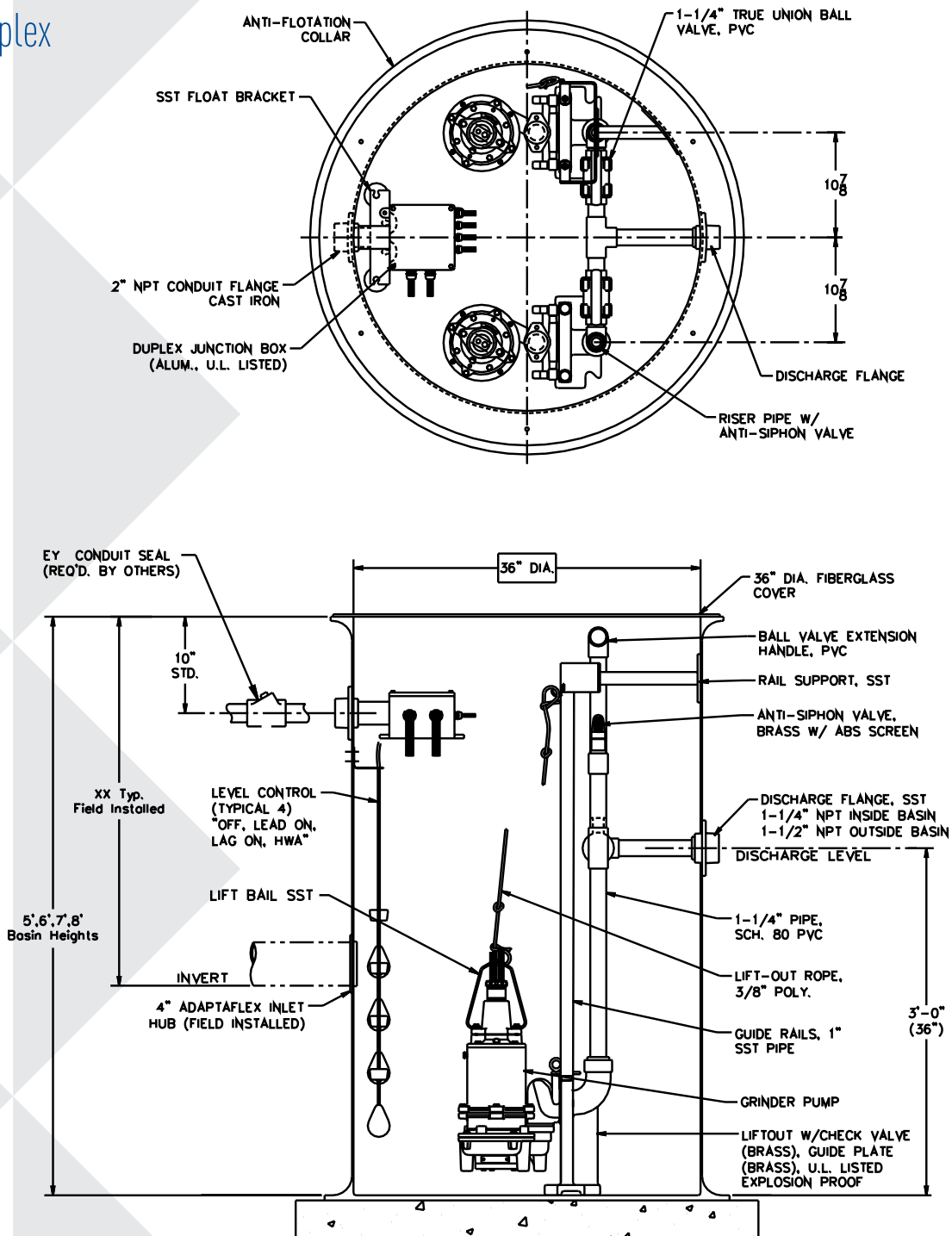
Control: DPC
Type: Duplex



D2CX20-21

Control: DFC

Type: Duplex



8263 FLORIDA BLVD., DENHAM SPRINGS, LA 70727, 225-665-6162, 1 (800) 219-9183 | WWW.DELTAENVIRONMENTAL.COM

Because we are continuously improving our products and services, Pentair reserves the right to change specifications without prior notice.
K4285 07/28/13 © 2013 Pentair Ltd. All Rights Reserved.