



# **DELTA ENVIRONMENTAL<sup>®</sup>**

## **ULTRACLEAR UC SERIES**

### **AEROBIC TREATMENT UNITS**



NSF's certification program is accredited by the American National Standards Institute



Certified to NSF/ANSI Standard 40 Class 1

# DELTA ENVIRONMENTAL®

## Aerobic Treatment Units

**ULTRACLEAR**  
UC SERIES

The clear choice for wastewater on-site disposal system is the UltraClear DF Series and UC Series Aerobic Treatment Unit (ATU). The UltraClear UC Series ATU was tested under standard 40 of ANSI/NSF International and met and exceeded Class I requirements with an average effluent quality of 6 mg/L BOD5 and 8 mg/L TSS.

### How The ULTRACLEAR Aerobic Treatment Unit Works

In using the UltraClear Aerobic Treatment Unit you can be proud that you are directly contributing to a cleaner, safer environment.

UltraClear works by using the bacteria nature provides. As a result of air being pumped into the system, the bacteria thrive and grow in much greater numbers than would occur naturally. This "overpopulation" of bacteria speeds the process of breaking down the sewage, making it safe for release into the environment.

The process occurs entirely within the self-contained UltraClear ATU which is comprised of an outer mixing tank and a cone-shaped settling chamber. Raw, unsettled domestic wastewater enters directly into the mixing tank where mixing occurs through an air distribution system.

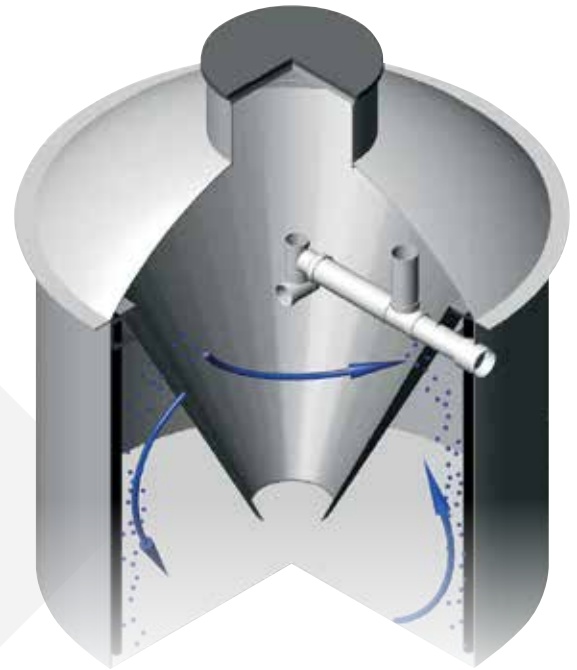
The mixed liquid then enters the settling chamber from the bottom. The settling chamber maintains a quiet condition which allows solids to settle down and re-enter the mixing chamber for more processing. The liquid is hydraulically displaced upward and is discharged as clear, odorless treated water which meets or exceeds state water quality standards.

### ULTRACLEAR for Specific Uses.

UltraClear Aerobic Treatment Units are manufactured to specifications according to wastewater flow requirements. Units are available in the following sizes

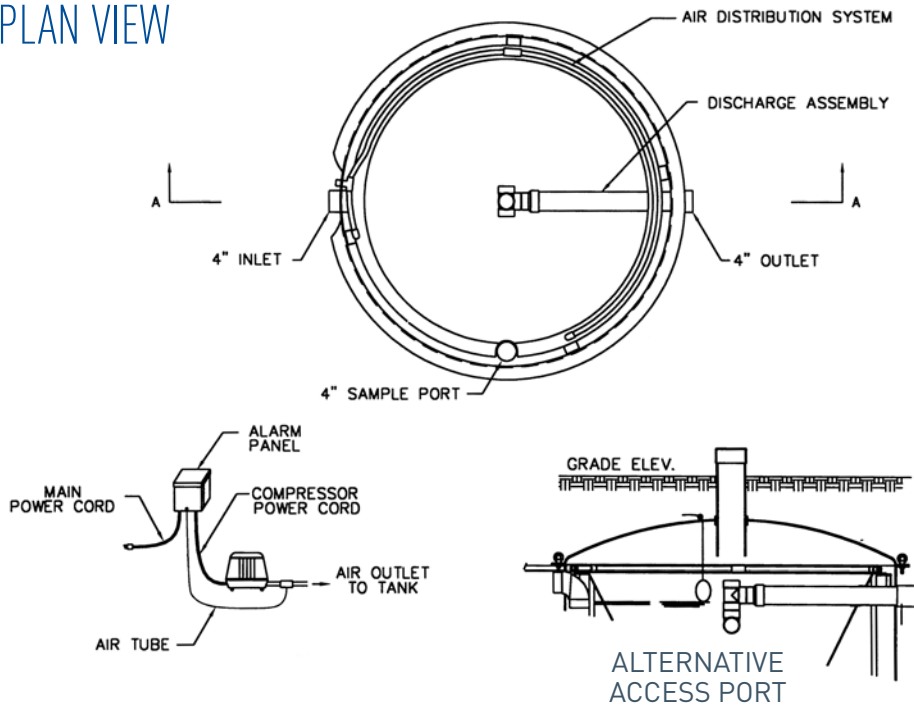
- Models UC50, UC50A, UC660, UC75, UC90, UC100, UC120, UC150

Where larger wastewater flow requirements are required, UltraClear Modular Systems are available.

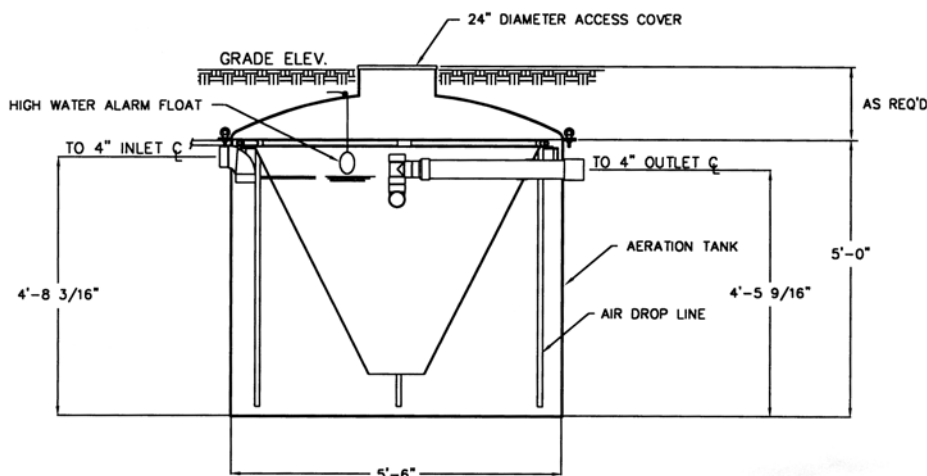


# Pump Features and Applications

## PLAN VIEW



## SECTION A-A



## Why Use an ULTRACLEAR Aerobic Treatment Unit?

- ANSI/NSF International Standard 40 Class 1 certified
- Disposes of wastewater quietly, efficiently, and with no odor
- US50 operates on same power as a 85-watt light bulb
- Unique air delivery system
- Remote mount air compressor
- Low initial capital cost and operation
- No inner tank filters, screens or diffusers to service
- Integral air compressor/control panel design
- Complete on-site system designs
- 5/10 year limited warranty

## Manufactured According to Need.

Two choices of fabrication are offered, consistent with your preference or regulatory requirements:

- Solid fiberglass tank with fiberglass cover
- Concrete tank with concrete cover\*

\*Based on regional availability

### Design Components Material Specifications

Design Components Material Specifications	
Shown is the ULTRACLEAR MODEL UC50	
Treatment Capacity	500 GPD
Volumetric Capacity	764 Gallons
Electrical Requirement	85 Watts, 115/1/60
Aerator-UltraClear Compressor	UC50

# Other Delta Environmental® Products

A respected leader in wastewater treatment with decades of technical design and manufacturing experience, Delta is committed to the continuing development of new products in the 21st century.



**ECOPOD SERIES**



**CONTROL SERIES**



**ECODRIP SERIES**



**WHITEWATER®  
DF SERIES**

## Distributor Network

Whitewater Aerobic Treatment Units and accessories are sold, installed and serviced by certified distributors who are fully trained to provide all necessary components and to ensure professional installation.



**ULTRACLEAR  
UC SERIES**



8263 FLORIDA BLVD., DENHAM SPRINGS, LA 70727, 225-665-6162, 1 (800) 219-9183 | [WWW.DELTAENVIRONMENTAL.COM](http://WWW.DELTAENVIRONMENTAL.COM)

Because we are continuously improving our products and services, Pentair reserves the right to change specifications without prior notice.  
DLE-039 07/28/13 © 2013 Pentair Ltd. All Rights Reserved.