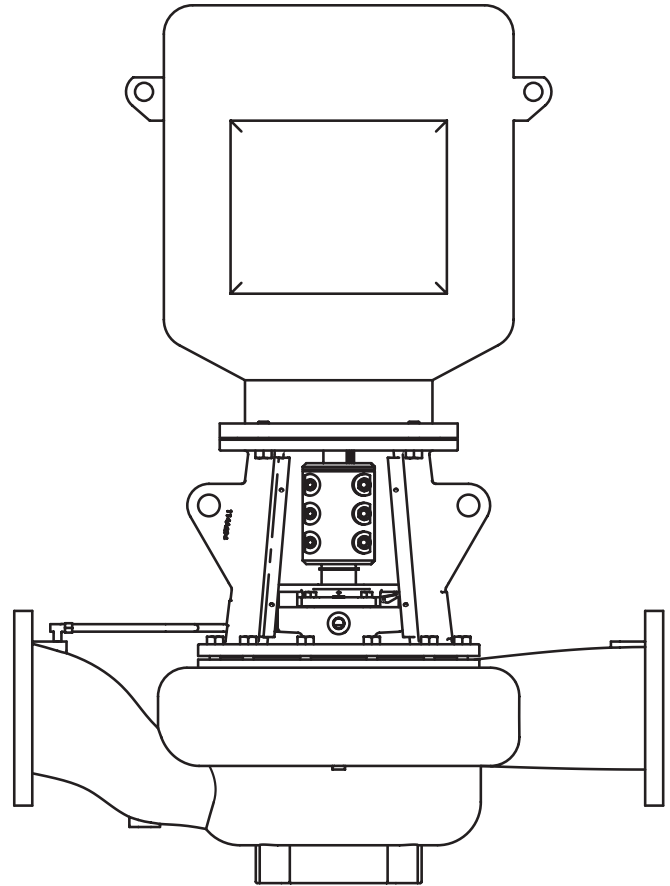




**AURORA<sup>®</sup>**



# 382B-SC SERIES SINGLE STAGE VERTICAL IN LINE SPLIT COUPLED CENTRIFUGAL PUMP

## REPAIR PARTS INDEX

NOTE! Read and understand the pump and motor instructions before attempting to install, disassemble or repair the pump.

**AURORA® 380 SERIES  
MODEL 382B-SC**

**TABLE OF CONTENTS**

| <b>DESCRIPTION</b>                                  | <b>PAGE</b> |
|---|-------------|
| Exploded View Single Suction Pumps – 10x10x19 ..... | 3           |
| Exploded View Double Suction Pumps .....            | 4           |
| Pump Model 382B 10x10x14 .....                      | 5           |
| Pump Model 382B 10x10x19 .....                      | 5           |
| Pump Model 382B 12x12x14 .....                      | 5           |
| Pump Model 382B 12x12x18 .....                      | 5           |
| Pump Model 382B 14x14x15 .....                      | 5           |
| Pump Model 382B 14x14x18 .....                      | 5           |
| Repair Kit Contents .....                           | 6           |

NOTES: MODEL 382B-SC PUMPS.

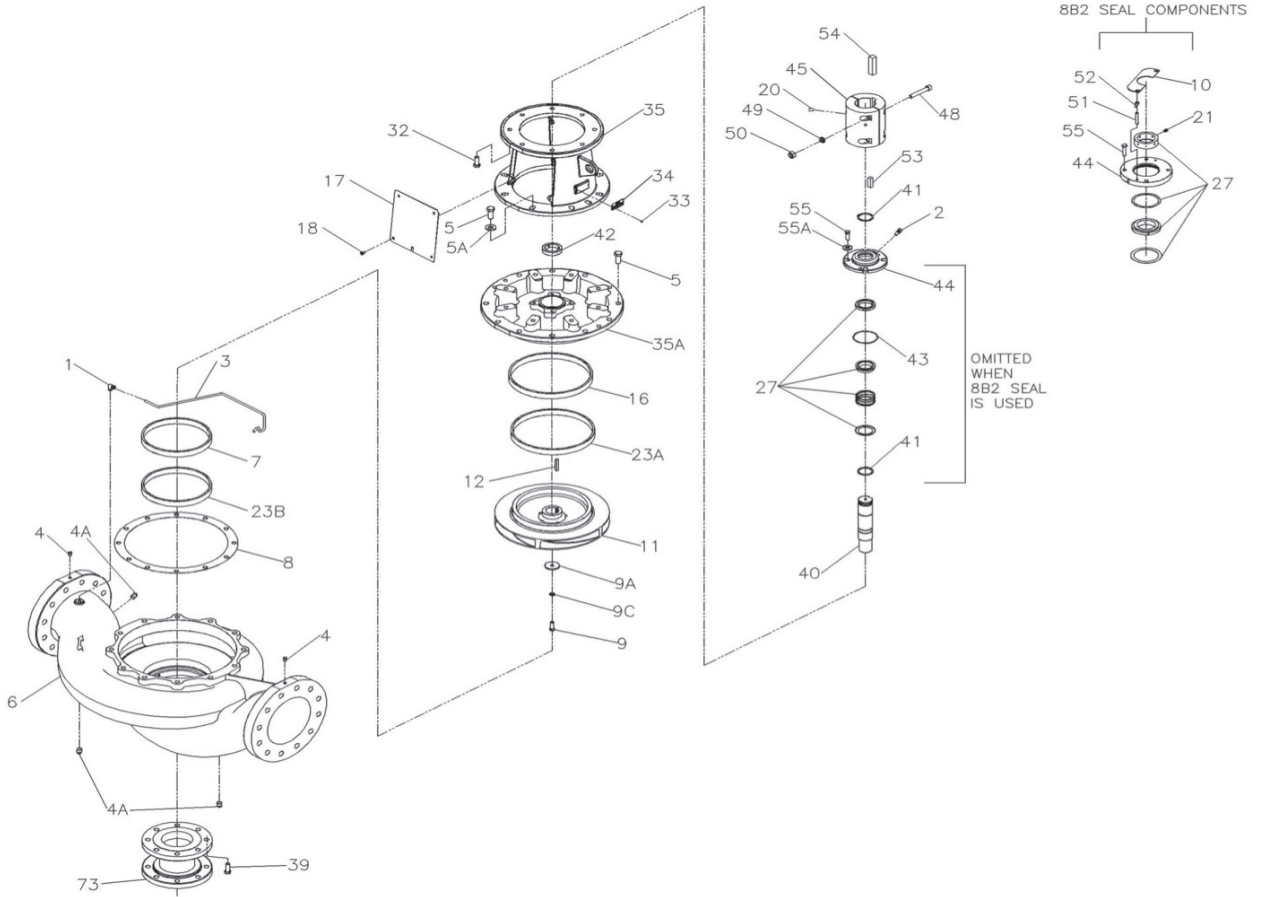
PUMP ARE BUILT ON TWO SHAFT SIZES

10x10x14, 10x10x19, 12x12x14, 12x12x18 – 2.375"

14x14x15, 14x14x18 – 2.875"

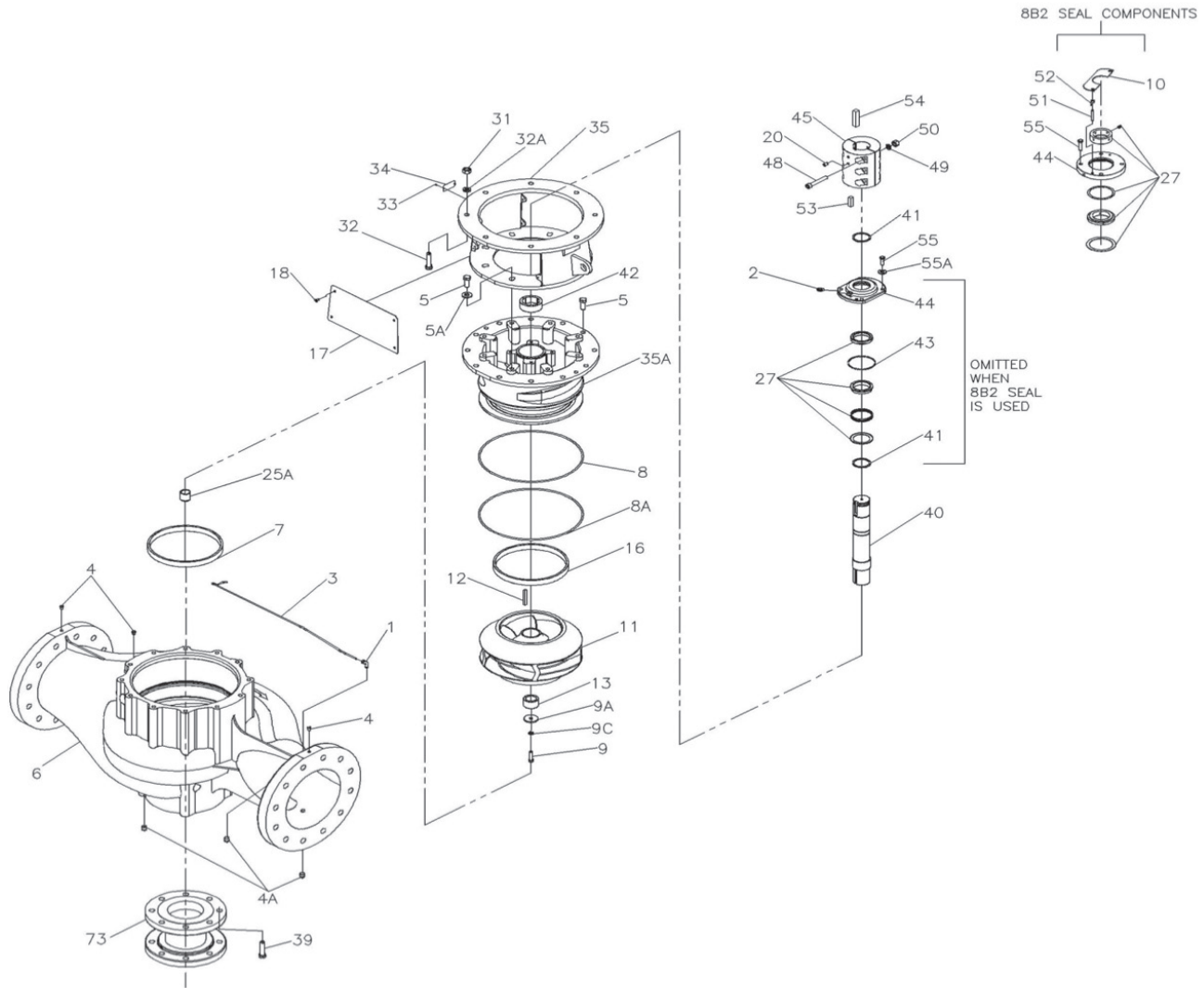
# AURORA® 380 SERIES MODEL 382B-SC

## SINGLE SUCTION PUMPS – 10x10x19 EXPLODED VIEW



# AURORA® 380 SERIES MODEL 382B-SC

## DOUBLE SUCTION PUMPS – EXPLODED VIEW



# AURORA® 380 SERIES MODEL 382B-SC

SECTION 380 PAGE 5  
DATED JULY 2015

## PARTS LIST

| ITEM NO | DESCRIPTION                               | QTY | 10x10x14     | 10x10x19  | 12x12x14     | 12x12x18     | 14x14x15     | 14x14x18      |
|---------|---|-----|--------------|---|--------------|--------------|--------------|---------------|
| 6       | Casing                                    | 1   |              |   |              |              |              |               |
|         | Casing 125# drilling                      |     | 180-8416-055 | 180-8469-055  | 180-8471-055 | 180-8470-055 | 180-8473-055 | 180-8472-055  |
|         | Casing 250# drilling                      |     | 180-8474-055 | 180-8476-055  | 180-8475-055 | 180-8477-055 | 180-8478-055 | 180-8479-055  |
| 7       | Case wear ring                            | 1   | 676-2172-107 | 676-2175-107  | 676-2177-107 | 676-2177-107 | 676-2181-107 | 676-2179-107  |
| 8       | O-ring (for SP/Casing – Upper)            | 1   | 364-0579-494 | 364-7533-603  | 364-0529-494 | 364-2210-494 | 364-0579-494 | 364-2210-494  |
| 8A      | O-ring (for SP/Casing – Lower)            | 1   | 364-1757-494 | N/A   | 364-0528-494 | 364-0018-494 | 364-0552-494 | 364-0018-494  |
| 11      | Impeller <sup>2</sup>                     | 1   |              |   |              |              |              |               |
|         | Impeller (standard)                       |     | 443-3283-104 | 443-3314-104  | 443-3290-104 | 443-3286-104 | 443-3302-104 | 443-3300-104  |
|         | Impeller w/ wear rings (optional)         |     | 443-3280-104 | 443-3315-104  | 443-3291-104 | 443-3287-104 | 443-3303-104 | 443-3301-104  |
| 16      | Case wear ring                            | 1   | 676-2172-107 | 676-2183-107  | 676-2177-107 | 676-2177-107 | 676-2181-107 | 676-2179-107  |
| 17      | Coupling guard                            | 2   |              |   |              |              |              |               |
|         | Coupling guard for 284-286TC motor        |     | N/A          | N/A   | 392-0768-114 | N/A          | N/A          | N/A           |
|         | Coupling guard for 324-326TC motor        |     | 392-0772-114 | N/A   | 392-0772-114 | N/A          | 392-0772-114 | N/A           |
|         | Coupling guard for 364-365TC motor        |     | 392-0771-114 | 392-0771-114  | 392-0771-114 | 392-0771-114 | 392-0771-114 | N/A           |
|         | Coupling guard for 404-405TC motor        |     | 392-0770-114 | 392-0770-114  | 392-0770-114 | 392-0770-114 | 392-0770-114 | 392-0770-114  |
|         | Coupling guard for 444-449TC motor        |     | 392-0769-114 | 392-0769-114  | 392-0769-114 | 392-0769-114 | 392-0769-114 | 392-0769-114  |
|         | Coupling guard for 5010SD motor           |     | N/A          | 392-0773-114  | 392-0773-114 | 392-0773-114 | 392-0773-114 | 392-0773-114  |
| 23      | Impeller wear ring (optional)             | 2   | 676-2173-104 | 676-2176-104 <sup>1</sup> / 676-2184-104 <sup>1</sup> | 676-2178-104 | 676-2178-104 | 676-2182-104 | 676-218-0-104 |
| 35      | Bracket                                   | 1   |              |   |              |              |              |               |
|         | Bracket for 284-286TC motor               |     | N/A          | N/A   | 116-0692-010 | N/A          | N/A          | N/A           |
|         | Bracket for 324-326TC motor               |     | 116-0688-010 | N/A   | 116-0688-010 | N/A          | 116-0688-010 | N/A           |
|         | Bracket for 364-365TC motor               |     | 116-0687-010 | 116-0687-010  | 116-0687-010 | 116-0687-010 | 116-0687-010 | N/A           |
|         | Bracket for 404-405TC motor               |     | 116-0686-010 | 116-0686-010  | 116-0686-010 | 116-0686-010 | 116-0686-010 | 116-0686-010  |
|         | Bracket for 444-449TC motor               |     | 116-0685-010 | 116-0685-010  | 116-0685-010 | 116-0685-010 | 116-0685-010 | 116-0685-010  |
| 35A     | Seal plate                                | 1   |              |   |              |              |              |               |
|         | Seal plate Type 1/21 seals (standard)     |     | 812-1144-010 | 812-1160-010  | 812-1146-010 | 812-1154-010 | 812-1158-010 | 812-1156-010  |
|         | Seal plate Type 8B2 seals (optional)      |     | 812-1145-010 | 812-1161-010  | 812-1147-010 | 812-1155-010 | 812-1159-010 | 812-1157-010  |
| 40      | Shaft                                     | 1   | 728-7519-107 | 728-7518-107  | 728-7517-107 | 728-7516-107 | 728-7520-107 |               |
| 44      | Gland                                     | 1   |              |   |              |              |              |               |
|         | Gland Type 1/21 seals (standard)          |     | 372-0581-010 | 372-0581-010  | 372-0581-010 | 372-0581-010 | 372-0578-010 | 372-0578-010  |
|         | Gland Type 8B2 seals (optional)           |     | 372-0582-107 | 372-0582-107  | 372-0582-107 | 372-0582-107 | 372-0580-107 | 372-0580-107  |
| 45      | Coupling kit                              | 1   |              |   |              |              |              |               |
|         | Coupling kit for 284-286TC motor          |     | N/A          | N/A   | 256-3357-644 | N/A          | N/A          | N/A           |
|         | Coupling kit for 324-326TC motor          |     | N/A          | N/A   | 256-3355-644 | N/A          | 256-3370-644 | N/A           |
|         | Coupling kit for 364-365TC motor          |     | 256-3356-644 | 256-3356-644  | 256-3356-644 | 256-3356-644 | 256-3369-644 | N/A           |
|         | Coupling kit for 404-405TC motor          |     | 256-3354-644 | 256-3354-644  | 256-3354-644 | 256-3354-644 | 256-3358-644 | 256-3358-644  |
|         | Coupling kit for 444-449TC motor          |     | 256-3353-644 | 256-3353-644  | 256-3353-644 | 256-3353-644 | 256-3359-644 | 256-3359-644  |
|         | Coupling kit for 5010SD motor             |     | N/A          | 256-3358-644  | N/A          | 256-3358-644 | 256-3358-644 | 256-3358-644  |
|         | Mechanical seal kit <sup>3,5</sup>        | 1   |              |   |              |              |              |               |
|         | Seal kit type 21                          |     | 476-1460-XXX | 476-1461-XXX  | 476-1462-XXX | 476-1463-XXX | N/A          | N/A           |
|         | Seal kit type 1                           |     | 476-1464-XXX | 476-1465-XXX  | 476-1466-XXX | 476-1467-XXX | 476-1468-XXX | 476-1469-XXX  |
|         | Seal kit type 8B2                         |     | 476-1470-XXX | 476-1471-XXX  | 476-1472-XXX | 476-1473-XXX | 476-1474-XXX | 476-1475-XXX  |
|         | Overhaul kit <sup>4,5</sup>               | 1   |              |   |              |              |              |               |
|         | Overhaul kit type 21                      |     | 476-1480-XXX | 476-1481-XXX  | 476-1482-XXX | 476-1483-XXX | N/A          | N/A           |
|         | Overhaul kit type 1                       |     | 476-1484-XXX | 476-1485-XXX  | 476-1486-XXX | 476-1487-XXX | 476-1488-XXX | 476-1489-XXX  |
|         | Overhaul kit type 8B2                     |     | 476-1490-XXX | 476-1491-XXX  | 476-1492-XXX | 476-1493-XXX | 476-1494-XXX | 476-1495-XXX  |
|         | Type 8B2 service kit (included with pump) | 1   |              |   | 476-1497-644 |              |              |               |

**NOTES:**

- 1) The 10x10x19 has 2 different impeller wear rings part numbers (1 each), all other sizes use 2 of the same part number.
- 2) The first 3 digits of the impeller 443 indicate a trimmed impeller, a full trim impeller would be "444".
- 3) Seal Kit would be for standard maintenance for the first 1 to 2 years. Frequency of service / replacement will be dependent on pump operating conditions, and can vary between installations. "1 to 2 years" should be considered for general guidance only.
- 4) Overhaul Kit would be for standard maintenance for 3 to 5+ years. Frequency of service / replacement will be dependent on pump operating conditions, and can vary between installations. "3 to 5+ years" should be considered for general guidance only.
- 5) Seal/Overhaul KIT Material Codes match Seal Material Code  
 For 753 Seal (BUNA-N/CARBON/CERAMIC)  
 For 764 Seal (VITON/CARBON/CERAMIC)  
 For 769 Seal (EPR/CARBON/CERAMIC)  
 For 720 Seal (VITON/CARBON/SILICON CARBIDE)

**AURORA® 380 SERIES  
 MODEL 382B-SC**

**REPAIR KIT CONTENTS**

| <b>SEAL KIT CONTAINS</b> |                            |
|--------------------------|----------------------------|
| <b>ITEM NO</b>           | <b>DESCRIPTION</b>         |
| 8                        | O-ring (casing/SP – upper) |
| 8A                       | O-ring (casing/SP – lower) |
| 27                       | Mechanical seal            |
| 42                       | Throttle bush              |
| 43                       | Gland O-ring               |

| <b>COUPLING KIT CONTAINS</b> |                              |
|------------------------------|------------------------------|
| <b>ITEM NO</b>               | <b>DESCRIPTION</b>           |
| 20                           | Hex socket setscrew          |
| 45                           | Split Coupling               |
| 48                           | Coupling bolts (socket head) |
| 49                           | Spring lock washer           |
| 50                           | Hex nut                      |

| <b>TYPE 8B2 SERVICE KIT CONTAINS</b> |                    |
|--------------------------------------|--------------------|
| <b>ITEM NO</b>                       | <b>DESCRIPTION</b> |
| 10                                   | Jacking plate      |
| 51                                   | Studs              |
| 52                                   | Wing nut           |

| <b>OVERHAUL KIT CONTAINS</b> |                            |
|------------------------------|----------------------------|
| <b>ITEM NO</b>               | <b>DESCRIPTION</b>         |
| 7                            | Case wear ring             |
| 8                            | O-Ring (casing/SP - upper) |
| 8A                           | O-Ring (casing/SP - lower) |
| 9                            | Impeller bolt              |
| 9C                           | Stat- O-Seal               |
| 12                           | Impeller key               |
| 13                           | Spire bush                 |
| 16                           | Wear ring seal plate       |
| 25A                          | Spire sleeve               |
| 27                           | Mechanical seal            |
| 41                           | Lower retaining ring       |
| 42                           | Throttle bush              |
| 43                           | Gland O-ring               |
| 53                           | Coupling key (pump)        |
| 54                           | Coupling key (motor)       |

**THIS PAGE INTENTIONALLY LEFT BLANK**

## WARRANTY

Seller warrants equipment (and its component parts) of its own manufacture against defects in materials and workmanship under normal use and service for one (1) year from the date of installation or start-up, or for eighteen (18) months after the date of shipment, whichever occurs first. Seller does not warrant accessories or components that are not manufactured by Seller; however, to the extent possible, Seller agrees to assign to Buyer its rights under the original manufacturer's warranty, without recourse to Seller. Buyer must give Seller notice in writing of any alleged defect covered by this warranty (together with all identifying details, including the serial number, the type of equipment, and the date of purchase) within thirty (30) days of the discovery of such defect during the warranty period. No claim made more than 30 days after the expiration of the warranty period shall be valid. Guarantees of performance and warranties are based on the use of original equipment manufactured (OEM) replacement parts. Seller assumes no responsibility or liability if alterations, non-authorized design modifications and/or non-OEM replacement parts are incorporated. If requested by Seller, any equipment (or its component parts) must be promptly returned to Seller prior to any attempted repair, or sent to an authorized service station designated by Seller, and Buyer shall prepay all shipping expenses. Seller shall not be liable for any loss or damage to goods in transit, nor will any warranty claim be valid unless the returned goods are received intact and undamaged as a result of shipment. Repaired or replaced material returned to customer will be shipped F.O.B., Seller's factory. Seller will not give Buyer credit for parts or equipment returned to Seller, and will not accept delivery of any such parts or equipment, unless Buyer has obtained Seller's approval in writing. The warranty extends to repaired or replaced parts of Seller's manufacture for ninety (90) days or for the remainder of the original warranty period applicable to the equipment or parts being repaired or replaced, whichever is greater. This warranty applies to the repaired or replaced part and is not extended to the product or any other component of the product being repaired. Repair parts of its own manufacture sold after the original warranty period are warranted for a period of one (1) year from shipment against defects in materials and workmanship under normal use and service. This warranty applies to the replacement part only and is not extended to the product or any other component of the product being repaired. Seller may substitute new equipment or improve part(s) of any equipment judged defective without further liability. All repairs or services performed by Seller, which are not covered by this warranty, will be charged in accordance with Seller's standard prices then in effect.

THIS WARRANTY IS THE SOLE WARRANTY OF SELLER AND SELLER HEREBY EXPRESSLY DISCLAIMS AND BUYER WAIVES ALL OTHER WARRANTIES EXPRESSED, IMPLIED IN LAW OR IMPLIED IN FACT, INCLUDING ANY WARRANTIES OF MERCHANTABILITY OR FITNESS FOR A PARTICULAR PURPOSE. Seller's sole obligation under this warranty shall be, at its option, to repair or replace any equipment (or its component parts) which has a defect covered by this warranty, or to refund the purchase price of such equipment or part. Under the terms of this warranty, Seller shall not be liable for (a) consequential, collateral, special or liquidated losses or damages; (b) equipment conditions caused by normal wear and tear, abnormal conditions of use, accident, neglect, or misuse of said equipment; (c) the expense of, and loss or damage caused by, repairs or alterations made by anyone other than the Seller; (d) damage caused by abrasive materials, chemicals, scale deposits, corrosion, lightning, improper voltage, mishandling, or other similar conditions; (e) any loss, damage, or expense relating to or resulting from installation, removal or reinstallation of equipment; (f) any labor costs or charges incurred in repairing or replacing defective equipment or parts, including the cost of reinstalling parts that are repaired or replaced by Seller; (g) any expense of shipment of equipment or repaired or replacement parts; or (h) any other loss, damage or expense of any nature.

The above warranty shall not apply to any equipment which may be separately covered by any alternate or special warranties.

**PERFORMANCE:** In the absence of Certified Pump Performance Tests, equipment performance is not warranted or guaranteed. Performance curves and other information submitted to Buyer are approximate and no warranty or guarantee shall be deemed to arise as a result of such submittal. All testing shall be done in accordance with Seller's standard policy under Hydraulic Institute procedures.

**LIABILITY LIMITATIONS:** Under no circumstances shall the Seller have any liability under the Order or otherwise for liquidated damages or for collateral, consequential or special damages or for loss of profits, or for actual losses or for loss of production or progress of construction, regardless of the cause of such damages or losses. In any event, Seller's aggregate total liability under the Order or otherwise shall not exceed the contract price.

**ACTS OF GOD:** Seller shall in no event be liable for delays in delivery of the equipment or other failures to perform caused by fires, acts of God, strikes, labor difficulties, acts of governmental or military authorities, delays in transportation or procuring materials, or causes of any kind beyond Seller's control.

**COMPLIANCE WITH LAW:** Seller agrees to comply with all United States laws and regulations applicable to the manufacturing of the subject equipment. Such compliance shall include: The Fair Labor Standards Acts of 1938, as amended; Equal Employment Opportunity clauses of Executive Order 11246, as amended; Occupational Safety and Health Act of 1970 and the standards promulgated thereunder, if applicable. Since compliance with the various Federal, State, and Local laws and regulations concerning occupational health and safety, pollution or local codes are affected by the use, installation and operation of the equipment and other matters over which Seller has no control, Seller assumes no responsibility for compliance with those laws and regulations, whether by way of indemnity, warranty, or otherwise. It is incumbent upon the Buyer to specify equipment which complies with local codes and ordinances.



**AURORA®**

800 Airport Road  
North Aurora, Illinois 60542  
630-859-7000  
[www.aurorapump.com](http://www.aurorapump.com)