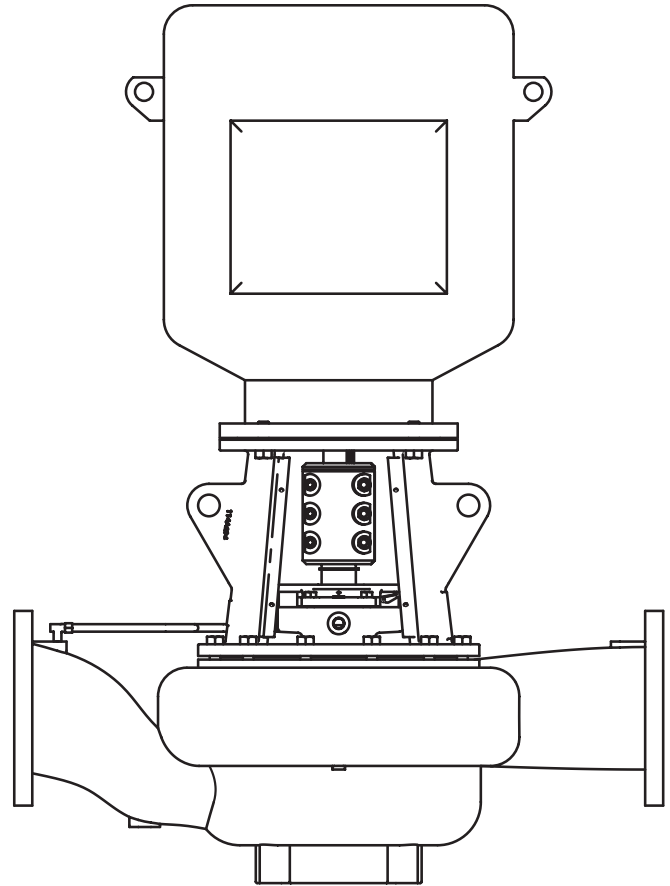




AURORA[®]



382A-SC SERIES SINGLE STAGE VERTICAL IN LINE SPLIT COUPLED CENTRIFUGAL PUMP

REPAIR PARTS INDEX

NOTE! Read and understand the pump and motor instructions before attempting to install, disassemble or repair the pump.

**380 SERIES
MODEL 382A-SC**

TABLE OF CONTENTS

| PUMP MODEL | DESCRIPTION | PAGE |
|-----------------------|--|-------------|
| 382A | 1-1/2 x 1-1/2 x 7 THRU 4 x 4 x 7A &B | 4 |
| 382A | 1-1/2 x 1-1/2 x 9B THRU 6 x 6 x 9 | 5-6 |
| 382A | 4 x 4 x 11 THRU 8 x 8 x 11 | 7-8 |
| 382A | 2 x 2 x 12 THRU 8 x 8 x 12 | 9-10 |
| 382A | 8 x 8 x 15 AND 10 x 10 x 15 | 11 |

NOTES: MODEL 382A-SC PUMPS.

FOR PUMPS 12" & SMALLER

PART NO. 9, 9A, 9B, 9C, 10, 11, 12, 25 AND 27 ARE LISTED WITH A LARGE LETTER "S" OR "L".. 9" PUMPS ARE BUILT ON TWO SHAFT SIZES, "S" INDICATING SMALL AND "L" FOR LARGE.

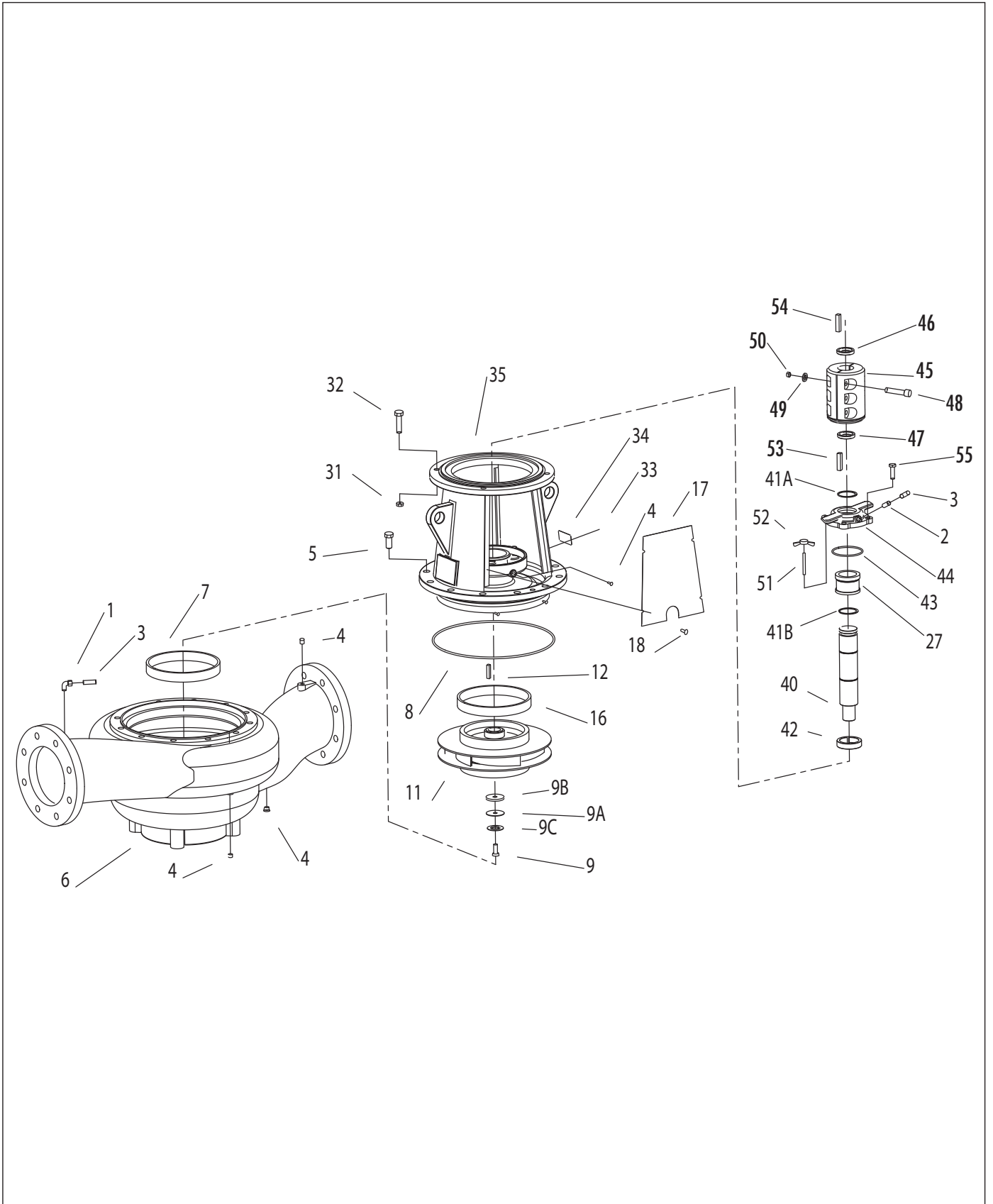
TO DETERMINE WHEN TO USE "S" OR "L" PARTS, IN ADDITION TO THE PUMP SIZE AND SERIAL NUMBER, IT IS ALSO NECESSARY TO HAVE THE MOTOR FRAME NUMBER.

MOTOR FRAME 256 HP AND SMALLER USE "S" PARTS.

MOTOR FRAME 284 HP TO 405 HP USE "L" PARTS.

MOTOR FRAME 444/445HP IS ONLY FOR 15" PUMPS.

**380 SERIES
MODEL 382A
PIECE NUMBERS**



380 SERIES
MODEL 382A-SC
1-1/2 x 1-1/2 x 7 – 4 x 4 x 7B
PARTS LIST

| PC. NO. | DESCRIPTION | QTY | PART NO. | MATERIAL | | | |
|---------|----------------------|--------------|----------|----------|------|------|------|
| | | | | B.F. | A.B. | A.I. | S.S. |
| 1 | COMP. ELBOW | 1 | 868-3660 | 190 | | 087 | |
| 2 | COMP. CONNECTOR | 1 | 868-3359 | 190 | | 087 | |
| 3 | TUBING | 1 | 872-0124 | 175 | | 087 | |
| 4 | PIPE PLUG | 4 | 600-0002 | 087 | | 087 | |
| 5 | CAPSCREW | 8 | 168-0381 | 082 | | 082 | |
| 6 | CASING | | | | | | |
| | 2x7 | 1 | 180-2573 | 010 | | 010 | |
| | 2-1/2x7 | 1 | 180-2574 | 010 | | 010 | |
| | 3x7A&7B | 1 | 180-2560 | 010 | | 010 | |
| 7 | WEAR RING | | | | | | |
| | 2x7 | 1 | 676-1151 | 208 | | 010 | |
| | 2-1/2x7 | 1 | 676-1152 | 208 | | 010 | |
| | 3x7A&7B | 1 | 676-1152 | 208 | | 010 | |
| 8 | GASKET | | | | | | |
| | 2x7 | 1 | 676-1154 | 208 | | 010 | |
| | 2-1/2x7 | 1 | 676-1152 | 208 | | 010 | |
| | 3x7A&7B | 1 | 676-1152 | 208 | | 010 | |
| 8 | GASKET | 1 | 364-1014 | 603 | | 603 | |
| 9 | IMPELLER SCREW – S | 1 | 168-0382 | 113 | | 113 | |
| 9A | WASHER – S | 1 | 908-0603 | 087 | | 087 | |
| 9B | GASKET – S | 1 | 364-2034 | 603 | | 603 | |
| 9C | CAPSCREW SEAL – S | 1 | 908-1290 | 999 | | 999 | |
| 11 | IMPELLER – S | | | | | | |
| | 2x7 | 1 | 443-0407 | 225 | | 010 | |
| | 2-1/2x7 | 1 | 443-0411 | 225 | | 010 | |
| | 3x7A | 1 | 443-2034 | 225 | | 010 | |
| | 3x7B | 1 | 443-4017 | 225 | | 010 | |
| | 4x7A | 1 | 443-0425 | 225 | | 010 | |
| | 4x7B | 1 | 443-0423 | 225 | | 010 | |
| 11 | IMPELLER – S* | | | | | | |
| | 2x7 | 1 | 443-0410 | 225 | | 010 | |
| | 2-1/2x7 | 1 | 443-0412 | 225 | | 010 | |
| | 3x7A | 1 | 443-1775 | 225 | | 010 | |
| | 3x7B | 1 | 443-0418 | 225 | | 010 | |
| | 4x7A | 1 | 443-0426 | 225 | | 010 | |
| 4x7B | 1 | 443-0424 | 225 | | 010 | | |
| 12 | IMPELLER KEY – S | 1 | 472-0201 | 087 | | 087 | |
| 14 | WEAR RING | | | | | | |
| | 2x7 | 1 | 676-1146 | 208 | | 010 | |
| | 2-1/2x7 | 1 | 676-1133 | 208 | | 010 | |
| | 3x7A&7B | 1 | 676-1133 | 208 | | 010 | |
| 15 | WEAR RING | | | | | | |
| | 2x7 | NOT REQUIRED | | | | | |
| 16 | WEAR RING | | | | | | |
| | 2-1/2x7 | 1 | 676-1133 | 208 | | 010 | |
| 17 | COUPLING GUARD | 2 | 392-0685 | 087 | | 087 | |
| 18 | GUARD MOUNTING SCREW | 8 | 168-0298 | 082 | | 082 | |
| 27 | SEAL – S | 1 | 712-0907 | 753 | | 753 | |
| 31 | HEXNUT | | | | | | |
| | 143HP – 405HP | 4 | 544-0109 | 080 | | 080 | |

| PC. NO. | DESCRIPTION | QTY | PART NO. | MATERIAL | | | |
|---------|------------------|-----|----------|----------|------|------|------|
| | | | | B.F. | A.B. | A.I. | S.S. |
| 32 | CAPSCREW | | | | | | |
| | 143HP – 405HP | 4 | 168-0388 | 082 | | 082 | |
| 33 | SCREW | 2 | 708-0013 | 365 | | 365 | |
| 34 | NAMEPLATE | 1 | 532-0045 | 114 | | 114 | |
| 35 | BRACKET | | | | | | |
| | 143HP – 405HP | 1 | 116-0607 | 010 | | 010 | |
| 35A | ADAPTER PLATE | | | | | | |
| | (not pictured) | | | | | | |
| | 284HP – 405HP | 1 | 008-0340 | 010 | | 010 | |
| 40 | SHAFT | | | | | | |
| | 143HP – 405HP | 1 | 728-7504 | 107 | | | |
| 41 | RETAINING RING | | | | | | |
| | A,B | 1 | 676-0271 | 088 | | 088 | |
| | 284HP – 405HP | 1 | 676-0277 | 088 | | 088 | |
| 42 | THROTTLE BUSHING | | | | | | |
| | 143HP – 405HP | 1 | 136-1676 | 560 | | 560 | |
| 43 | GLAND O-RING | 1 | 364-0423 | 457 | | 457 | |
| 44 | GLAND | | | | | | |
| | 143HP – 405HP | 1 | 372-0550 | 010 | | 010 | |
| 45 | SPLIT COUPLING | | | | | | |
| | 143HP – 145HP | 1 | 256-2877 | 320 | | 320 | |
| | 182HP – 256HP | 1 | 256-2879 | 320 | | 320 | |
| | 284HP – 405HP | 1 | 256-2883 | 320 | | 320 | |
| 46 | ANNULAR RING | | | | | | |
| | 143HP – 145HP | 1 | 472-1165 | 087 | | 087 | |
| | 182HP – 256HP | 1 | 472-9005 | 087 | | 087 | |
| | 284HP – 405HP | 1 | 472-1163 | 087 | | 087 | |
| 47 | ANNULAR RING | | | | | | |
| | 143HP – 405HP | 1 | 472-9005 | 087 | | 087 | |
| 48 | CAPSCREW | 6 | 168-0123 | 082 | | 082 | |
| 49 | LOCK WASHER | 6 | 908-0163 | 088 | | 088 | |
| 50 | HEXNUT | 6 | 544-0113 | 080 | | 080 | |
| 51 | STUD | 2 | 808-0111 | 080 | | 080 | |
| 52 | WINGNUT | 2 | 544-2298 | 080 | | 080 | |
| 53 | PUMP CPLG KEY | | | | | | |
| | 143HP – 405HP | 1 | 472-0241 | 087 | | 087 | |
| 54 | MOTOR CPLG KEY | | | | | | |
| | 143HP – 145HP | 1 | 472-0203 | 087 | | 087 | |
| | 182HP – 256HP | 1 | 472-0241 | 087 | | 087 | |
| | 284HP – 405HP | 1 | 472-0326 | 087 | | 087 | |
| 55 | CAPSCREW | 4 | 168-0492 | 082 | | 082 | |

**380 SERIES
MODEL 382A-SC
1-1/2 x 1-1/2 x 9B – 6 x 6 x 9
PARTS LIST**

SECTION 382P PAGE 5
DATED APRIL 2013

SUPERSEDES 382P PAGE 5
DATED DECEMBER 2005

| PC. NO. | DESCRIPTION | QTY | PART NO. | MATERIAL | | | |
|---------|-----------------|-----|----------|----------|------|------|------|
| | | | | B.F. | A.B. | A.I. | S.S. |
| 1 | COMP. ELBOW | 1 | 868-3660 | 190 | | 087 | |
| 2 | COMP. CONNECTOR | 1 | 868-3359 | 190 | | 087 | |
| 3 | TUBING | 1 | 872-0124 | 175 | | 087 | |
| 4 | PIPE PLUG | 4 | 600-0002 | 087 | | 087 | |
| 5 | CAPSCREW | 8 | 168-0489 | 082 | | 082 | |
| 6 | CASING | | | | | | |
| | 1-1/2x9B | 1 | 180-2173 | 010 | | 010 | |
| | 2x9A&9B | 1 | 180-2174 | 010 | | 010 | |
| | 2x9C | 1 | 180-2517 | 010 | | 010 | |
| | 2-1/2x9 | 1 | 180-2575 | 010 | | 010 | |
| | 3x4x9 | 1 | 180-2518 | 010 | | 010 | |
| | 3x9A | 1 | 180-2177 | 010 | | 010 | |
| | 3x9B | 1 | 180-2178 | 010 | | 010 | |
| | 4x5x9 | 1 | 180-2519 | 010 | | 010 | |
| | 4x9A&9B | 1 | 180-2181 | 010 | | 010 | |
| | 5x9 | 1 | 180-2576 | 010 | | 010 | |
| | 6x9 | 1 | 180-2577 | 010 | | 010 | |
| 7 | WEAR RING | | | | | | |
| | 1-1/2x9B | 1 | 676-1150 | 208 | | 010 | |
| | 2x9, 9A&9B | 1 | 676-1151 | 208 | | 010 | |
| | 2-1/2x9 | 1 | 676-1152 | 208 | | 010 | |
| | 3x4x9 | 1 | 676-2104 | 208 | | 010 | |
| | 3x9A&9B | 1 | 676-1152 | 208 | | 010 | |
| | 4x5x9, 9A&9B | 1 | 676-1154 | 208 | | 010 | |
| | 5x9 | 1 | 676-1155 | 208 | | 010 | |
| | 6x9 | 1 | 676-1155 | 208 | | 010 | |
| 8 | GASKET | 1 | 364-1015 | 603 | | 603 | |
| 9 | IMPELLER SCREW | | | | | | |
| | S | 1 | 168-0382 | 113 | | 113 | |
| | L | 1 | 168-0490 | 113 | | 113 | |
| 9A | WASHER | | | | | | |
| | S | 1 | 908-0603 | 087 | | 087 | |
| | L | 1 | 908-0604 | 087 | | 087 | |
| 9B | GASKET | | | | | | |
| | S | 1 | 364-2034 | 603 | | 603 | |
| | L | 1 | 364-2035 | 603 | | 603 | |
| 9C | CAPSCREW SEAL | | | | | | |
| | S | 1 | 908-1290 | 999 | | 999 | |
| | L | 1 | 908-1292 | 999 | | 999 | |
| 11 | IMPELLER - S | | | | | | |
| | 1-1/2x9B | 1 | 443-0431 | 225 | | 010 | |
| | 2x9A, 9C | 1 | 443-0437 | 225 | | 010 | |
| | 2x9B | 1 | 443-0435 | 225 | | 010 | |
| | 2-1/2x9 | 1 | 443-0441 | 225 | | 010 | |
| | 3x4x9 | 1 | 443-2748 | 225 | | 010 | |

| PC. NO. | DESCRIPTION | QTY | PART NO. | MATERIAL | | | |
|---------|---------------|-----|----------|----------|------|------|------|
| | | | | B.F. | A.B. | A.I. | S.S. |
| 11 | IMPELLER - S | | | | | | |
| | 3x9A | 1 | 443-0441 | 225 | | 010 | |
| | 3x9B | 1 | 443-0445 | 225 | | 010 | |
| | 4x5x9 | 1 | 443-2750 | 225 | | 010 | |
| | 4x9A | 1 | 443-1766 | 225 | | 010 | |
| | 4x9B | 1 | 443-1762 | 225 | | 010 | |
| | 5x9 | 1 | 443-0457 | 225 | | 010 | |
| | 6x9 | 1 | 443-0465 | 225 | | 010 | |
| 11 | IMPELLER - L | | | | | | |
| | 2x9C | 1 | 443-0439 | 225 | | 010 | |
| | 2-1/2x9 | 1 | 443-0443 | 225 | | 010 | |
| | 3x4x9 | 1 | 443-2749 | 225 | | 010 | |
| | 3x9A | 1 | 443-0443 | 225 | | 010 | |
| | 3x9B | 1 | 443-0447 | 225 | | 010 | |
| | 4x5x9 | 1 | 443-2751 | 225 | | 010 | |
| | 4x9B | 1 | 443-1764 | 225 | | 010 | |
| | 5x9 | 1 | 443-0459 | 225 | | 010 | |
| | 6x9 | 1 | 443-0467 | 225 | | 010 | |
| 11 | IMPELLER - S* | | | | | | |
| | 1-1/2x9B | 1 | 443-0432 | 225 | | 010 | |
| | 2x9A | 1 | 443-0438 | 225 | | 010 | |
| | 2x9B | 1 | 443-0436 | 225 | | 010 | |
| | 2x9C | 1 | 443-0438 | 225 | | 010 | |
| | 2-1/2x9 | 1 | 443-0422 | 225 | | 010 | |
| | 3x9A | 1 | 443-0442 | 225 | | 010 | |
| | 3x9B | 1 | 443-0446 | 225 | | 010 | |
| | 4x9A | 1 | 443-1767 | 225 | | 010 | |
| | 5x9 | 1 | 443-0458 | 225 | | 010 | |
| | 6x9 | 1 | 443-0466 | 225 | | 010 | |
| 11 | IMPELLER - L* | | | | | | |
| | 2x9C | 1 | 443-0440 | 225 | | 010 | |
| | 2-1/2x9 | 1 | 443-0444 | 225 | | 010 | |
| | 3x9A | 1 | 443-0444 | 225 | | 010 | |
| | 3x9B | 1 | 443-0448 | 225 | | 010 | |
| | 4x9B | 1 | 443-1765 | 225 | | 010 | |
| | 5x9 | 1 | 443-0460 | 225 | | 010 | |
| | 6x9 | 1 | 443-0468 | 225 | | 010 | |
| 12 | IMPELLER KEY | | | | | | |
| | S | 1 | 472-0201 | 087 | | 087 | |
| | L | 1 | 472-0247 | 087 | | 087 | |

*MACHINED FOR OPTIONAL RING #14 & 15

380 SERIES
MODEL 382A-SC
1-1/2 x 1-1/2 x 9B – 6 x 6 x 9
PARTS LIST

| PC. NO. | DESCRIPTION | QTY | PART NO. | MATERIAL | | | |
|---------|------------------------------------|--------|----------------------|------------|------|------------|------|
| | | | | B.F. | A.B. | A.I. | S.S. |
| 14 | WEAR RING | | | | | | |
| | 1-1/2x9B | 1 | 676-1145 | 208 | | 010 | |
| | 2x9A, B & C | 1 | 676-1146 | 208 | | 010 | |
| | 2-1/2x9 | 1 | 676-1133 | 208 | | 010 | |
| | 3x9A&B | 1 | 676-1133 | 208 | | 010 | |
| | 4x9A&B | 1 | 676-1140 | 208 | | 010 | |
| | 5x9 | 1 | 676-1141 | 208 | | 010 | |
| | 6x9 | 1 | 6761141 | 208 | | 010 | |
| 15 | WEAR RING | | | | | | |
| | 1-1/2x9B | | NOT REQUIRED | | | | |
| | 2x9A, B & C | | NOT REQUIRED | | | | |
| | 2-1/2x9 | 1 | 676-1133 | 208 | | 010 | |
| | 3x9A&B | 1 | 676-1133 | 208 | | 010 | |
| | 4x9A&B | 1 | 676-1156 | 208 | | 010 | |
| | 5x9 | 1 | 676-1156 | 208 | | 010 | |
| | 6x9 | 1 | 676-1156 | 208 | | 010 | |
| 16 | WEAR RING | | | | | | |
| | 1-1/2x9B | | NOT REQUIRED | | | | |
| | 2x9A, B & C | | NOT REQUIRED | | | | |
| | 2-1/2x9 | 1 | 676-0003 | 010 | | 010 | |
| | 3x9A&B | 1 | 676-0003 | 010 | | 010 | |
| | 4x9A&B | | NOT REQUIRED | | | | |
| 17 | COUPLING GUARD | | | | | | |
| | S | 2 | 392-0679 | 087 | | 087 | |
| | L | 2 | 392-0680 | 087 | | 087 | |
| 18 | GUARD MOUNTING SCREW | 8 | 168-0298 | 082 | | 082 | |
| 27 | SEAL | | | | | | |
| | S | 1 | 712-0907 | 753 | | 753 | |
| | L | 1 | 712-0910 | 753 | | 753 | |
| 31 | HEXNUT | | | | | | |
| | 143HP-256HP 284HP-405HP | 4 4 | 544-0109 544-0115 | 080 080 | | 080 080 | |
| 32 | CAPSCREW | | | | | | |
| | 143HP-256HP 284HP-405HP | 4 4 | 168-0388 168-0572 | 082 082 | | 082 082 | |
| 33 | SCREW | 2 | 708-0013 | 365 | | 365 | |
| 34 | NAMEPLATE | 1 | 532-0045 | 114 | | 114 | |
| 35 | BRACKET | | | | | | |
| | 143HP-256HP (S) 284HP-405HP (L) | 1 1 | 116-0610 116-0606 | 010 010 | | 010 010 | |
| 40 | SHAFT | | | | | | |
| | 143HP-256HP 284HP-405HP | 1 1 | 728-7504 728-7502 | 113 113 | | 133 133 | |

| PC. NO. | DESCRIPTION | QTY | PART NO. | MATERIAL | | | |
|---------|----------------------------|--------|----------------------|------------|------|------------|------|
| | | | | B.F. | A.B. | A.I. | S.S. |
| 41 | RETAINING RING | | | | | | |
| | 143HP-256HP 284HP-405HP | 1 1 | 676-0271 676-0277 | 088 088 | | 088 088 | |
| 42 | THROTTLE BUSHING | | | | | | |
| | 143HP-256HP 284HP-405HP | 1 1 | 136-1676 136-1675 | 560 560 | | 560 560 | |
| 43 | GLAND O-RING | 1 | 364-0423 | 457 | | 457 | |
| 44 | GLAND | | | | | | |
| | 143HP-256HP 284HP-405HP | 1 1 | 372-0550 372-0549 | 010 010 | | 010 010 | |
| 45 | SPLIT COUPLING | | | | | | |
| | 143HP-145HP 182HP-256HP | 1 1 | 256-2877 256-2879 | 320 320 | | 320 320 | |
| | 284HP-405HP | 1 | 256-2875 | 320 | | 320 | |
| 46 | ANNULAR RING | | | | | | |
| | 143HP-145HP 182HP-256HP | 1 1 | 472-1165 472-1164 | 087 087 | | 087 087 | |
| | 284HP-405HP | 1 | 472-1163 | 087 | | 087 | |
| 47 | ANNULAR RING | | | | | | |
| | 143HP-256HP 284HP-405HP | 1 1 | 472-1164 472-1163 | 087 087 | | 087 087 | |
| 48 | CAPSCREW | | | | | | |
| | 143HP-256HP 284HP-405HP | 6 6 | 168-0123 168-0169 | 082 082 | | 082 082 | |
| 49 | LOCK WASHER | | | | | | |
| | 143HP-256HP 284HP-405HP | 6 6 | 908-0160 908-0163 | 088 088 | | 088 088 | |
| 50 | HEXNUT | | | | | | |
| | 143HP-256HP 284HP-405HP | 6 6 | 544-0107 544-0113 | 080 080 | | 080 080 | |
| 51 | THREADED ROD / STUD | | | | | | |
| | 143HP-256HP 284HP-405HP | 2 2 | 808-5154 808-5155 | 080 080 | | 080 080 | |
| 52 | WINGNUT | 2 | 544-2298 | 080 | | 080 | |
| 53 | SHAFT KEY | | | | | | |
| | 143HP-256HP 284HP-405HP | 1 1 | 472-0241 472-0319 | 087 087 | | 087 087 | |
| 54 | SHAFT KEY | | | | | | |
| | 143HP-145HP 182HP-256HP | 1 1 | 472-0201 472-0241 | 087 087 | | 087 087 | |
| | 284HP-405HP | 1 | 472-0326 | 087 | | 087 | |
| 55 | CAPSCREW | 4 | 168-0494 | 082 | | 082 | |

**380 SERIES
MODEL 382A-SC
4 x 4 x 11 – 8 x 8 x 11
PARTS LIST**

SECTION 382P PAGE 7
DATED APRIL 2013

SUPERSEDES 382P PAGE 7
DATED DECEMBER 2005

| PC. NO. | DESCRIPTION | QTY | PART NO. | MATERIAL | | | |
|----------------|-------------------|------------------|----------|--------------|------|------|------|
| | | | | B.F. | A.B. | A.I. | S.S. |
| 1 | COMP. ELBOW | 1 | 868-3360 | 190 | | 087 | |
| 2 | COMP.CONNECTOR | 1 | 868-3359 | 190 | | 087 | |
| 3 | TUBING | 1 | 872-0124 | 175 | | 087 | |
| 4 | PIPE PLUG | 4 | 600-0002 | 087 | | 087 | |
| 5 | CAPSCREW | 8 | 168-0492 | 082 | | 082 | |
| 6 | CASING | | | | | | |
| | 4x11 | 1 | 180-2578 | 010 | | 010 | |
| | 5x11 | 1 | 180-2579 | 010 | | 010 | |
| | 6x11 | 1 | 180-2580 | 010 | | 010 | |
| 7 | WEAR RING | | | | | | |
| | 4x11 | 1 | 676-1154 | 208 | | 010 | |
| | 5x11 | 1 | 676-1155 | 208 | | 010 | |
| | 6x11 | 1 | 676-1684 | 208 | | 010 | |
| 8 | WEAR RING | | | | | | |
| | 8x11 | 1 | 676-2104 | 208 | | 010 | |
| | 8 | GASKET | 1 | 364-2109 | 603 | | 603 |
| | 9 | CAPSCREW - L | 1 | 168-0490 | 113 | | 113 |
| 9A | WASHER - L | 1 | 908-0604 | 087 | | 087 | |
| 9B | GASKET - L | 1 | 364-2035 | 603 | | 603 | |
| 9C | CAPSCREW/SEAL - L | 1 | 908-1292 | 999 | | 999 | |
| 11 | IMPELLER large | | | | | | |
| | 4x11 | 1 | 443-2400 | 225 | | 010 | |
| | 5x11 | 1 | 443-2401 | 225 | | 010 | |
| | 6x11 | 1 | 443-2402 | 225 | | 010 | |
| 11 | IMPELLER - L* | | | | | | |
| | 8x11 | 1 | 443-2402 | 225 | | 010 | |
| | 4x11 | 1 | 443-2428 | 225 | | 010 | |
| | 5x11 | 1 | 443-2429 | 225 | | 010 | |
| 11 | IMPELLER - L* | | | | | | |
| | 6x11 | 1 | 443-2430 | 225 | | 010 | |
| | 8x11 | 1 | 443-2430 | 225 | | 010 | |
| | 12 | IMPELLER KEY - L | 1 | 472-0247 | 087 | | 087 |
| 14 | WEAR RING | | | | | | |
| | 4x11 | 1 | 676-1140 | 208 | | 010 | |
| | 5x11 | 1 | 676-1141 | 208 | | 010 | |
| | 6x11 | 1 | 676-1143 | 208 | | 010 | |
| 15 | WEAR RING | | | | | | |
| | 8x11 | 1 | 676-1143 | 208 | | 010 | |
| | 4x11 | 1 | 676-1156 | 208 | | 010 | |
| | 5x11 | 1 | 676-1156 | 208 | | 010 | |
| 15 | WEAR RING | | | | | | |
| | 6x11 | 1 | 676-1156 | 208 | | 010 | |
| | 8x11 | 1 | 676-1156 | 208 | | 010 | |
| | 16 | WEAR RING | | NOT REQUIRED | | | |
| COUPLING GUARD | | | | | | | |
| 17 | S | 2 | 392-0682 | 087 | | 087 | |
| | L | 2 | 392-0681 | 087 | | 087 | |

| PC. NO. | DESCRIPTION | QTY | PART NO. | MATERIAL | | | |
|---------|----------------------|-----|----------|----------|------|------|------|
| | | | | B.F. | A.B. | A.I. | S.S. |
| 18 | GUARD MOUNTING SCREW | 8 | 168-0298 | 082 | | 082 | |
| 27 | SEAL - L | 1 | 712-0910 | 753 | | 753 | |
| 31 | HEXNUT | | | | | | |
| | 143HP-256HP | 4 | 544-0109 | 080 | | 080 | |
| | 284HP-405HP | 4 | 544-0115 | 080 | | 080 | |
| 32 | CAPSCREW | | | | | | |
| | 143HP-256HP | 4 | 168-0388 | 082 | | 082 | |
| | 284HP-405HP | 4 | 168-0572 | 082 | | 082 | |
| 33 | U DRIVE SCREW | 2 | 708-0013 | 365 | | 365 | |
| 34 | NAMEPLATE | 1 | 532-0045 | 114 | | 114 | |
| 35 | BRACKET | | | | | | |
| | 143HP-256HP | 1 | 116-0609 | 010 | | 010 | |
| | 284HP-405HP | 1 | 116-0605 | 010 | | 010 | |
| 40 | SHAFT | | | | | | |
| | 182HP-405HP | 1 | 728-7502 | 107 | | | |
| 41A,B | RETAINING RING | 2 | 676-0277 | 088 | | 088 | |
| 42 | THROTTLE BUSHING | | | | | | |
| | 182HP-405HP | 1 | 136-1675 | 560 | | 560 | |
| 43 | GLAND O-RING | 1 | 364-0423 | 457 | | 457 | |
| 44 | GLAND | | | | | | |
| | 182HP-405HP | 1 | 372-0549 | 010 | | 010 | |
| 45 | SPLIT COUPLING | | | | | | |
| | 143HP-145HP | 1 | 256-2884 | 320 | | 320 | |
| | 182HP-256HP | 1 | 256-2876 | 320 | | 320 | |
| | 284HP-405HP | 1 | 256-2875 | 320 | | 320 | |
| 46 | ANNULAR RING | | | | | | |
| | 143HP-145HP | 1 | 472-1165 | 087 | | 087 | |
| | 182HP-256HP | 1 | 472-1164 | 087 | | 087 | |
| | 284HP-405HP | 1 | 472-1163 | 087 | | 087 | |
| 47 | ANNULAR RING | | | | | | |
| | 143HP-405HP | 1 | 472-1162 | 087 | | 087 | |
| 48 | CAPSCREW | | | | | | |
| | 143HP-256HP | 6 | 168-0123 | 082 | | 082 | |
| | 284HP-405HP | 6 | 168-0169 | 082 | | 082 | |
| 49 | LOCK WASHER | | | | | | |
| | 143HP-256HP | 6 | 908-0160 | 088 | | 088 | |
| | 284HP-405HP | 6 | 908-0163 | 088 | | 088 | |
| 50 | HEXNUT | | | | | | |
| | 143HP-256HP | 6 | 544-0107 | 080 | | 080 | |
| | 284HP-405HP | 6 | 544-0113 | 080 | | 080 | |
| 51 | STUD | 2 | 808-5155 | 080 | | 080 | |
| 52 | WINGNUT | 2 | 544-2298 | 080 | | 080 | |

*MACHINED FOR OPTIONAL RING #14 & 15

380 SERIES
MODEL 382A-SC
4 x 4 x 11 – 8 x 8 x 11
PARTS LIST

| PC. NO. | DESCRIPTION | Q T Y | PART NO. | MATERIAL | | | |
|------------|-------------|-------------|-------------|----------|------|------|------|
| | | | | B.F. | A.B. | A.I. | S.S. |
| 53 | SHAFT KEY | | | | | | |
| | 182HP-405HP | 1 | 472-0319 | 087 | | 087 | |
| 54 | SHAFT KEY | | | | | | |
| | 143HP-145HP | 1 | 472-0203 | 087 | | 087 | |
| | 182HP-256HP | 1 | 472-0241 | 087 | | 087 | |
| | 284HP-405HP | 1 | 472-0326 | 087 | | 087 | |
| 55 | CAPSCREW | 4 | 168-0494 | 082 | | 082 | |

**380 SERIES
MODEL 382A-SC
2 x 2 x 12 – 8 x 8 x 12
PARTS LIST**

SECTION 382P PAGE 9
DATED APRIL 2013

SUPERSEDES 382P PAGE 9
DATED DECEMBER 2005

| PC. NO. | DESCRIPTION | QTY | PART NO. | MATERIAL | | | |
|---------|-------------------|-----|----------|----------|------|------|------|
| | | | | B.F. | A.B. | A.I. | S.S. |
| 1 | COMP. ELBOW | 1 | 868-3660 | 190 | | 087 | |
| 2 | COMP. CONNECTOR | 1 | 868-3359 | 190 | | 087 | |
| 3 | TUBING | 1 | 872-0124 | 175 | | 087 | |
| 4 | PIPE PLUG | 4 | 600-0002 | 087 | | 087 | |
| 5 | CAPSCREW | 8 | 168-0491 | 082 | | 082 | |
| 6 | CASING | | | | | | |
| | 2x12 | 1 | 180-2175 | 010 | | 010 | |
| | 3x12 | 1 | 180-2179 | 010 | | 010 | |
| | 4x12 | 1 | 180-2582 | 010 | | 010 | |
| | 5x12 | 1 | 180-2583 | 010 | | 010 | |
| | 6x12 | 1 | 180-2584 | 010 | | 010 | |
| | 8x12 | 1 | 180-2593 | 010 | | 010 | |
| 7 | WEAR RING | | | | | | |
| | 2x12 | 1 | 676-1151 | 208 | | 010 | |
| | 3x12 | 1 | 676-1152 | 208 | | 010 | |
| | 4x12 | 1 | 676-1154 | 208 | | 010 | |
| | 5x12 | 1 | 676-1155 | 208 | | 010 | |
| | 6x12 | 1 | 676-1684 | 208 | | 010 | |
| | 8x12 | 1 | 676-2100 | 208 | | 010 | |
| 8 | GASKET | 1 | 364-1016 | 603 | | 603 | |
| 9 | IMP. SCREW - L | 1 | 168-0490 | 113 | | 113 | |
| 9A | WASHER - L | 1 | 908-0604 | 087 | | 087 | |
| 9B | GASKET - L | 1 | 364-2035 | 603 | | 603 | |
| 9C | CAPSCREW SEAL - L | 1 | 908-1292 | 999 | | 999 | |
| 11 | IMPELLER - L | | | | | | |
| | 2x12 | 1 | 443-1725 | 225 | | 010 | |
| | 3x12 | 1 | 443-1726 | 225 | | 010 | |
| | 4x12 | 1 | 443-1728 | 225 | | 010 | |
| | 5x12 | 1 | 443-1729 | 225 | | 010 | |
| | 6x12 | 1 | 443-1730 | 225 | | 010 | |
| | 8x12 | 1 | 443-2664 | 225 | | 010 | |
| 11 | IMPELLER - L* | | | | | | |
| | 2x12 | 1 | 443-1739 | 225 | | 010 | |
| | 3x12 | 1 | 443-1740 | 225 | | 010 | |
| | 4x12 | 1 | 443-1742 | 225 | | 010 | |
| | 5x12 | 1 | 443-1743 | 225 | | 010 | |
| | 6x12 | 1 | 443-1744 | 225 | | 010 | |
| | 8x12 | 1 | 443-2977 | 225 | | 010 | |
| 12 | IMPELLER KEY - L | 1 | 472-0247 | 087 | | 087 | |
| 14 | WEAR RING | | | | | | |
| | 2x12 | 1 | 676-1146 | 208 | | 010 | |
| | 3x12 | 1 | 676-1133 | 208 | | 010 | |
| | 4x12 | 1 | 676-1140 | 208 | | 010 | |

| PC. NO. | DESCRIPTION | QTY | PART NO. | MATERIAL | | | |
|---------|----------------------|-----|----------|----------|------|------|--------------|
| | | | | B.F. | A.B. | A.I. | S.S. |
| 14 | WEAR RING | | | | | | |
| | 5x12 | 1 | 676-1141 | 208 | | 010 | |
| | 6x12 | 1 | 676-1143 | 208 | | 010 | |
| | 8x12 | 1 | 676-2101 | 208 | | 010 | |
| 15 | WEAR RING | | | | | | |
| | 2x12 | | | | | | NOT REQUIRED |
| | 3x12 | 1 | 676-1133 | 208 | | 010 | |
| | 4x12 | 1 | 676-1156 | 208 | | 010 | |
| | 5x12 | 1 | 676-1156 | 208 | | 010 | |
| | 6x12 | 1 | 676-1156 | 208 | | 010 | |
| | 8x12 | 1 | 676-1156 | 208 | | 010 | |
| 16 | WEAR RING | | | | | | NOT REQUIRED |
| 17 | COUPLING GUARD | | | | | | |
| | S | 2 | 392-0684 | 087 | | 087 | |
| | L | 2 | 392-0683 | 087 | | 087 | |
| 18 | GUARD MOUNTING SCREW | 8 | 168-0298 | 082 | | 082 | |
| 27 | SEAL - L | 1 | 712-0910 | 753 | | 753 | |
| 31 | HEXNUT | | | | | | |
| | 143HP-256HP | 4 | 544-0109 | 080 | | 080 | |
| | 284HP-405HP | 4 | 544-0115 | 080 | | 080 | |
| 32 | CAPSCREW | | | | | | |
| | 143HP-256HP | 4 | 168-0388 | 082 | | 082 | |
| | 284HP-405HP | 4 | 168-0572 | 082 | | 082 | |
| 33 | SCREW | 2 | 708-0013 | 365 | | 365 | |
| 34 | NAMEPLATE | 1 | 532-0045 | 114 | | 114 | |
| 35 | BRACKET | | | | | | |
| | 143HP-256HP | 1 | 116-0608 | 010 | | 010 | |
| | 284HP-405HP | 1 | 116-0604 | 010 | | 010 | |
| 40 | SHAFT | | | | | | |
| | 182HP-405HP | 1 | 728-7502 | 107 | | | |
| 41A,B | RETAINING RING | 2 | 676-0277 | 088 | | 088 | |
| 42 | THROTTLE BUSHING | | | | | | |
| | 182HP-405HP | 1 | 136-1675 | 560 | | 560 | |
| 43 | GLAND O-RING | 1 | 364-0423 | 457 | | 457 | |
| 44 | GLAND | | | | | | |
| | 182HP-405HP | 1 | 372-0549 | 010 | | 010 | |
| 45 | SPLIT COUPLING | | | | | | |
| | 143HP-145HP | 1 | 256-2884 | 320 | | 320 | |
| | 182HP-256HP | 1 | 256-2876 | 320 | | 320 | |
| | 284HP-405HP | 1 | 256-2875 | 320 | | 320 | |

*MACHINED FOR OPTIONAL RING #14 & 15

380 SERIES
MODEL 382A-SC
2 x 2 x 12 – 8 x 8 x 12
PARTS LIST

| PC. NO. | DESCRIPTION | Q T Y | PART NO. | MATERIAL | | | |
|------------|--------------|-------------|-------------|----------|------|------|------|
| | | | | B.F. | A.B. | A.I. | S.S. |
| 46 | ANNULAR RING | | | | | | |
| | 143HP-145HP | 1 | 472-1165 | 087 | | 087 | |
| | 182HP-256HP | 1 | 472-1164 | 087 | | 087 | |
| | 284HP-405HP | 1 | 472-1163 | 087 | | 087 | |
| 47 | ANNULAR RING | | | | | | |
| | 143HP-405HP | 1 | 472-1162 | 087 | | 087 | |
| 48 | CAPSCREW | | | | | | |
| | 143HP-256HP | 6 | 168-0123 | 082 | | 082 | |
| | 284HP-405HP | 6 | 168-0169 | 082 | | 082 | |
| 49 | LOCK WASHER | | | | | | |
| | 143HP-256HP | 6 | 908-0160 | 088 | | 088 | |
| | 284HP-405HP | 6 | 908-0163 | 088 | | 088 | |
| 50 | HEXNUT | | | | | | |
| | 143HP-256HP | 6 | 544-0107 | 080 | | 080 | |
| | 284HP-405HP | 6 | 544-0113 | 080 | | 080 | |
| 51 | STUD | 2 | 808-5155 | 080 | | 080 | |
| 52 | WINGNUT | 2 | 544-2298 | 080 | | 080 | |
| 53 | SHAFT KEY | | | | | | |
| | 182HP-405HP | 1 | 472-0319 | 087 | | 087 | |
| 54 | SHAFT KEY | | | | | | |
| | 143HP-145HP | 1 | 472-0203 | 087 | | 087 | |
| | 182HP-256HP | 1 | 472-0241 | 087 | | 087 | |
| | 284HP-405HP | 1 | 472-0326 | 087 | | 087 | |
| 55 | CAPSCREW | 4 | 168-0494 | 082 | | 082 | |

**380 SERIES
MODEL 382A-SC
8 x 8 x 15 – 10 x 10 x 15
PARTS LIST**

SECTION 382P PAGE 11
DATED APRIL 2013

SUPERSEDES 382P PAGE 11
DATED DECEMBER 2005

| PC. NO. | DESCRIPTION | QTY | PART NO. | MATERIAL | | | |
|---------|----------------------------------|-----|----------|----------|------|------|------|
| | | | | B.F. | A.B. | A.I. | S.S. |
| 1 | COMP. ELBOW | 1 | 868-3360 | 190 | | 087 | |
| 2 | COMP. CONNECTOR | 1 | 868-3559 | 190 | | 087 | |
| 3 | TUBING | 1 | 872-0124 | 175 | | 087 | |
| 4 | PIPE PLUG | 5 | 600-0002 | 082 | | 082 | |
| 5 | CAPSCREW | 8 | 168-0636 | 082 | | 082 | |
| 6 | CASING 8 x 8 x 15 | 1 | 180-2595 | 010 | | 010 | |
| | | 1 | 180-2596 | 010 | | 010 | |
| 7 | WEAR RING 8 x 8 x 15 | 1 | 676-2036 | 222 | | 010 | |
| | | 1 | 676-2037 | 222 | | 010 | |
| 8 | O-RING | 1 | 364-0557 | 457 | | 457 | |
| 9 | IMPELLER SCREW | 1 | 168-0490 | 104 | | 104 | |
| 9A | WASHER | 1 | 908-1326 | 104 | | 104 | |
| 9B | GASKET | 1 | 364-2046 | 603 | | 603 | |
| 9C | CAPSCREW SEAL | 1 | 908-1292 | 118 | | 118 | |
| 11 | IMPELLER 8 x 8 x 15 | 1 | 443-3088 | 208 | | 010 | |
| | | 1 | 443-3090 | 208 | | 010 | |
| 11A | IMPELLER* 8 x 8 x 15 | 1 | 443-3089 | 208 | | 010 | |
| | | 1 | 443-3091 | 208 | | 010 | |
| 12 | IMPELLER KEY | 1 | 472-0318 | 087 | | 087 | |
| 14 | IMPELLER RING(OPT) 8 x 8 x 15 | 1 | 676-1053 | 208 | | 010 | |
| | | 1 | 676-1971 | 208 | | 010 | |
| 15 | IMPELLER RING(OPT) 8 x 8 x 15 | 1 | 676-1053 | 208 | | 010 | |
| | | 1 | 676-1053 | 208 | | 010 | |
| 16 | WEAR RING 8 x 8 x 15 | 1 | 676-2036 | 222 | | 010 | |
| | | 1 | 676-2036 | 222 | | 010 | |
| 17 | COUPLING GUARD | 2 | 392-0685 | 087 | | 087 | |
| 18 | GUARD MOUNTING SCREW | 8 | 168-0298 | 082 | | 082 | |
| 27 | SEAL | 1 | 712-0917 | 753 | | 753 | |
| 31 | HEXNUT 284HP-445HP | 4 | 544-0115 | 080 | | 080 | |
| 32 | CAPSCREW 284HP-445HP | 4 | 168-0572 | 082 | | 082 | |
| 33 | U DRIVE SCREW | 2 | 708-0013 | 365 | | 365 | |
| 34 | NAMEPLATE | 1 | 532-0045 | 114 | | 114 | |
| 35 | BRACKET, 15" 284HP-445HP | 1 | 116-0592 | 010 | | 010 | |

| PC. NO. | DESCRIPTION | QTY | PART NO. | MATERIAL | | | |
|---------|---------------------------------|-----|----------|----------|------|------|------|
| | | | | B.F. | A.B. | A.I. | S.S. |
| 40 | SHAFT 284HP-445HP | 1 | 728-7503 | 107 | | | |
| 41A,B | RETAINING RING | 2 | 676-0292 | 088 | | 088 | |
| 42 | THROTTLE BUSHING 284HP-445HP | 1 | 136-1677 | 560 | | 560 | |
| 43 | GLAND O-RING | 1 | 364-0432 | 457 | | 457 | |
| 44 | GLAND 284HP-445HP | 1 | 372-0548 | 010 | | 010 | |
| 45 | SPLIT COUPLING 284HP-405HP | 1 | 256-2882 | 320 | | | |
| | | 1 | 256-2881 | 320 | | | |
| 46 | ANNULAR RING 284HP-405HP | 1 | 472-1163 | 087 | | 087 | |
| | | | 472-1166 | 087 | | 087 | |
| 47 | ANNULAR RING 284HP-445HP | 1 | 472-1166 | 087 | | 087 | |
| | | | | | | | |
| 48 | CAPSCREW | 6 | 168-0169 | 082 | | 082 | |
| 49 | LOCK WASHER | 6 | 908-0163 | 088 | | 088 | |
| 50 | HEXNUT | 6 | 544-0113 | 080 | | 080 | |
| 51 | STUD | 2 | 808-0110 | | | | |
| 52 | WINGNUT | 2 | 544-2299 | 080 | | 080 | |
| 53 | SHAFT KEY 182HP-405HP | 1 | 472-1167 | 087 | | 087 | |
| 54 | SHAFT KEY 284HP-405HP | 1 | 472-0325 | 087 | | 087 | |
| | | 1 | 472-0358 | 087 | | 087 | |
| 55 | CAPSCREW 444HP-445HP | 4 | 168-0494 | 082 | | 082 | |

WARRANTY

Seller warrants equipment (and its component parts) of its own manufacture against defects in materials and workmanship under normal use and service for one (1) year from the date of installation or start-up, or for eighteen (18) months after the date of shipment, whichever occurs first. Seller does not warrant accessories or components that are not manufactured by Seller; however, to the extent possible, Seller agrees to assign to Buyer its rights under the original manufacturer's warranty, without recourse to Seller. Buyer must give Seller notice in writing of any alleged defect covered by this warranty (together with all identifying details, including the serial number, the type of equipment, and the date of purchase) within thirty (30) days of the discovery of such defect during the warranty period. No claim made more than 30 days after the expiration of the warranty period shall be valid. Guarantees of performance and warranties are based on the use of original equipment manufactured (OEM) replacement parts. Seller assumes no responsibility or liability if alterations, non-authorized design modifications and/or non-OEM replacement parts are incorporated. If requested by Seller, any equipment (or its component parts) must be promptly returned to Seller prior to any attempted repair, or sent to an authorized service station designated by Seller, and Buyer shall prepay all shipping expenses. Seller shall not be liable for any loss or damage to goods in transit, nor will any warranty claim be valid unless the returned goods are received intact and undamaged as a result of shipment. Repaired or replaced material returned to customer will be shipped F.O.B., Seller's factory. Seller will not give Buyer credit for parts or equipment returned to Seller, and will not accept delivery of any such parts or equipment, unless Buyer has obtained Seller's approval in writing. The warranty extends to repaired or replaced parts of Seller's manufacture for ninety (90) days or for the remainder of the original warranty period applicable to the equipment or parts being repaired or replaced, whichever is greater. This warranty applies to the repaired or replaced part and is not extended to the product or any other component of the product being repaired. Repair parts of its own manufacture sold after the original warranty period are warranted for a period of one (1) year from shipment against defects in materials and workmanship under normal use and service. This warranty applies to the replacement part only and is not extended to the product or any other component of the product being repaired. Seller may substitute new equipment or improve part(s) of any equipment judged defective without further liability. All repairs or services performed by Seller, which are not covered by this warranty, will be charged in accordance with Seller's standard prices then in effect.

THIS WARRANTY IS THE SOLE WARRANTY OF SELLER AND SELLER HEREBY EXPRESSLY DISCLAIMS AND BUYER WAIVES ALL OTHER WARRANTIES EXPRESSED, IMPLIED IN LAW OR IMPLIED IN FACT, INCLUDING ANY WARRANTIES OF MERCHANTABILITY OR FITNESS FOR A PARTICULAR PURPOSE. Seller's sole obligation under this warranty shall be, at its option, to repair or replace any equipment (or its component parts) which has a defect covered by this warranty, or to refund the purchase price of such equipment or part. Under the terms of this warranty, Seller shall not be liable for (a) consequential, collateral, special or liquidated losses or damages; (b) equipment conditions caused by normal wear and tear, abnormal conditions of use, accident, neglect, or misuse of said equipment; (c) the expense of, and loss or damage caused by, repairs or alterations made by anyone other than the Seller; (d) damage caused by abrasive materials, chemicals, scale deposits, corrosion, lightning, improper voltage, mishandling, or other similar conditions; (e) any loss, damage, or expense relating to or resulting from installation, removal or reinstallation of equipment; (f) any labor costs or charges incurred in repairing or replacing defective equipment or parts, including the cost of reinstalling parts that are repaired or replaced by Seller; (g) any expense of shipment of equipment or repaired or replacement parts; or (h) any other loss, damage or expense of any nature.

The above warranty shall not apply to any equipment which may be separately covered by any alternate or special warranties.

PERFORMANCE: In the absence of Certified Pump Performance Tests, equipment performance is not warranted or guaranteed. Performance curves and other information submitted to Buyer are approximate and no warranty or guarantee shall be deemed to arise as a result of such submittal. All testing shall be done in accordance with Seller's standard policy under Hydraulic Institute procedures.

LIABILITY LIMITATIONS: Under no circumstances shall the Seller have any liability under the Order or otherwise for liquidated damages or for collateral, consequential or special damages or for loss of profits, or for actual losses or for loss of production or progress of construction, regardless of the cause of such damages or losses. In any event, Seller's aggregate total liability under the Order or otherwise shall not exceed the contract price.

ACTS OF GOD: Seller shall in no event be liable for delays in delivery of the equipment or other failures to perform caused by fires, acts of God, strikes, labor difficulties, acts of governmental or military authorities, delays in transportation or procuring materials, or causes of any kind beyond Seller's control.

COMPLIANCE WITH LAW: Seller agrees to comply with all United States laws and regulations applicable to the manufacturing of the subject equipment. Such compliance shall include: The Fair Labor Standards Acts of 1938, as amended; Equal Employment Opportunity clauses of Executive Order 11246, as amended; Occupational Safety and Health Act of 1970 and the standards promulgated thereunder, if applicable. Since compliance with the various Federal, State, and Local laws and regulations concerning occupational health and safety, pollution or local codes are affected by the use, installation and operation of the equipment and other matters over which Seller has no control, Seller assumes no responsibility for compliance with those laws and regulations, whether by way of indemnity, warranty, or otherwise. It is incumbent upon the Buyer to specify equipment which complies with local codes and ordinances.



AURORA®

800 Airport Road
North Aurora, Illinois 60542
630-859-7000
www.aurorapump.com