



VR2 SERIES

# SHREDDING WASTEWATER CHALLENGES



**PATENTED AXIAL  
CUTTER TECHNOLOGY**



**EASY  
INSTALLATION**



**PERFORMANCE**

2 HP AUTOMATIC  
GRINDER PUMPS

[WWW.FEMYERS.COM](http://WWW.FEMYERS.COM)

# MYERS® VR2 SERIES AUTOMATIC GRINDER PUMPS

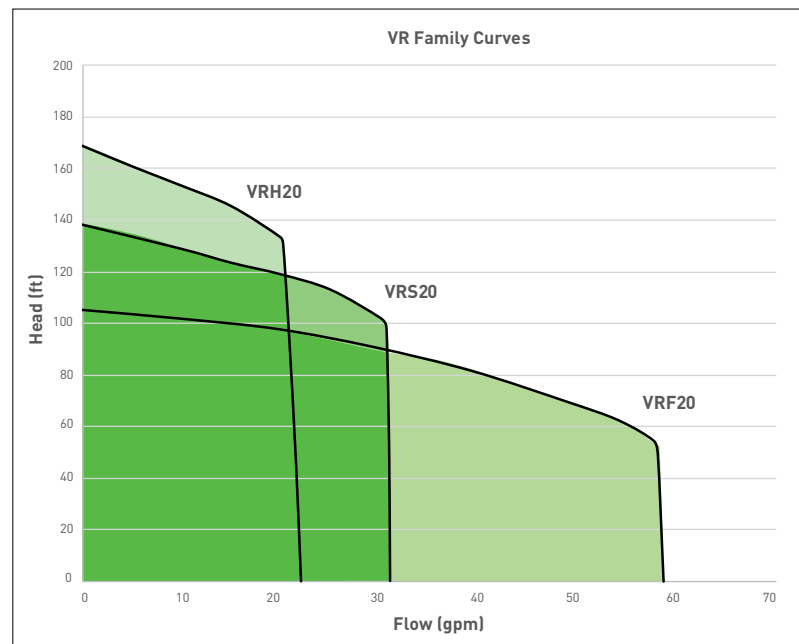
The new MYERS VR2 grinders feature a patented axial cutter technology that easily slices through solids and trash found in domestic wastewater without roping or clogging. They come with plenty of standard features to make installation a breeze.



The VR2 is a rugged and economical solution for residential and pressure sewage systems.



## NOW WITH HIGHER HEADS AND FLOWS!



Now with up to 23% higher heads and 91% higher flows all in a single stage design



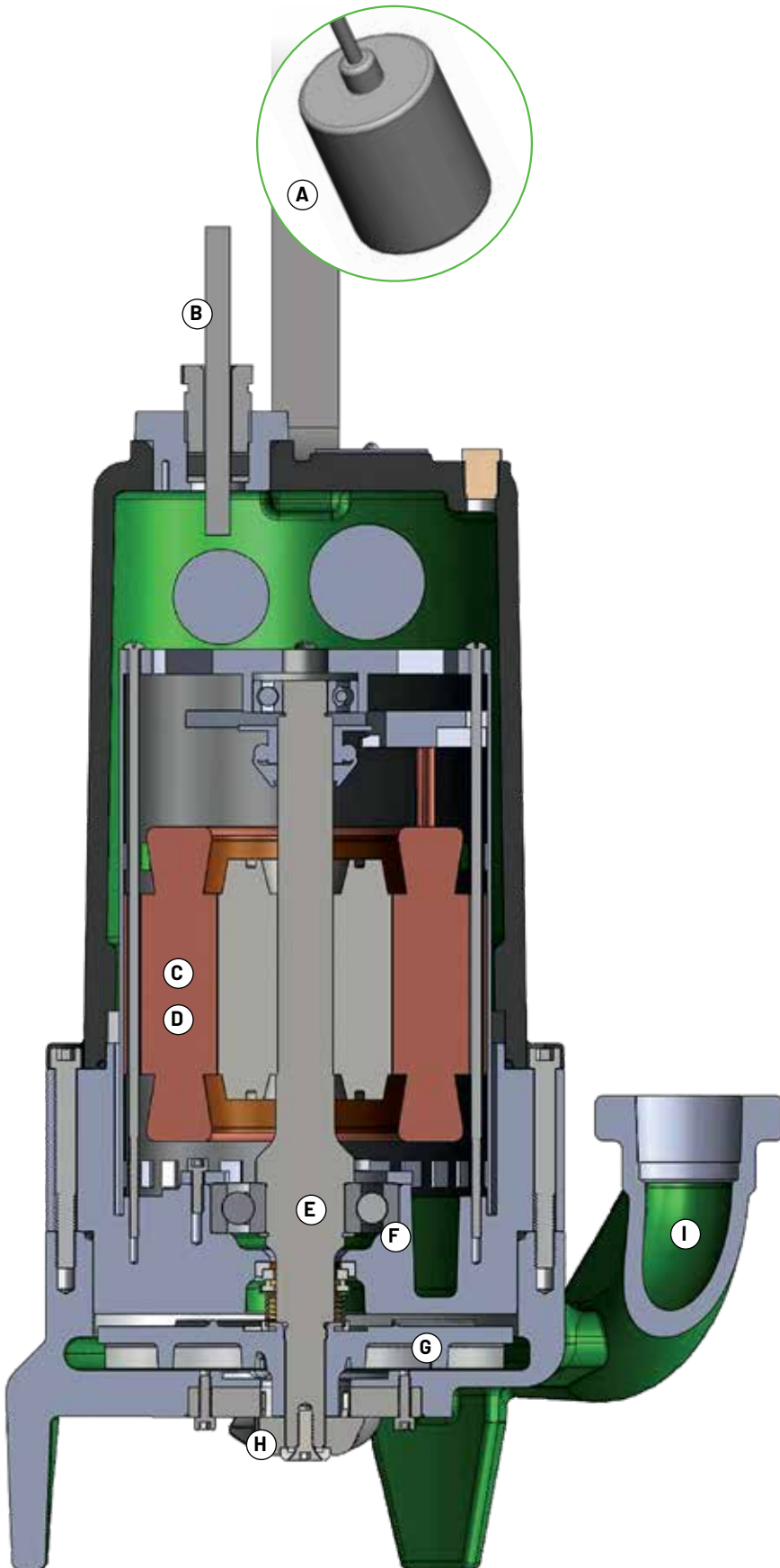
### PATENTED AXIAL CUTTER TECHNOLOGY

Easily slices through solids and trash found in domestic wastewater without roping or clogging.

Watch the video at [www.femyers.com](http://www.femyers.com)



# FEATURES



## A. Wide Angle Float Switch

- Piggy-back cord for easy maintenance

## B. Cable Entry System

- Cable jacket sealed by compression fitting and individual wires sealed by compression grommet for double seal protection against water ingress

## C. Oil-Filled Motor

- Maximizes heat dissipation and provides constant bearing lubrication for long life
- High torque start/run capacitor for single phase motors for assured starting under heavy loads.
- Internal capacitors eliminate need for control panel

## D. Integrated Heat Sensor

- Protects motor from burnout due to excessive heat from any overload condition. Automatically resets when motor has cooled

## E. Shaft and Fasteners

- Stainless steel for maximum corrosion resistance and long life

## F. Shaft Seals

- Oil lubricated single carbon and ceramic faced seal provides motor protection

## G. Impeller

- Semi-open impeller handles ground slurry without clogging or binding
- Pump-out vanes help keep trash from seal and reduces pressure at seal face for longer life

## H. Axial Cutter System

- Easily slice through solids and trash commonly found in domestic wastewater without roping or clogging
- Constructed of 440 SST hardened to 57-60Rc for long life
- Easily replaceable without dismantling pump

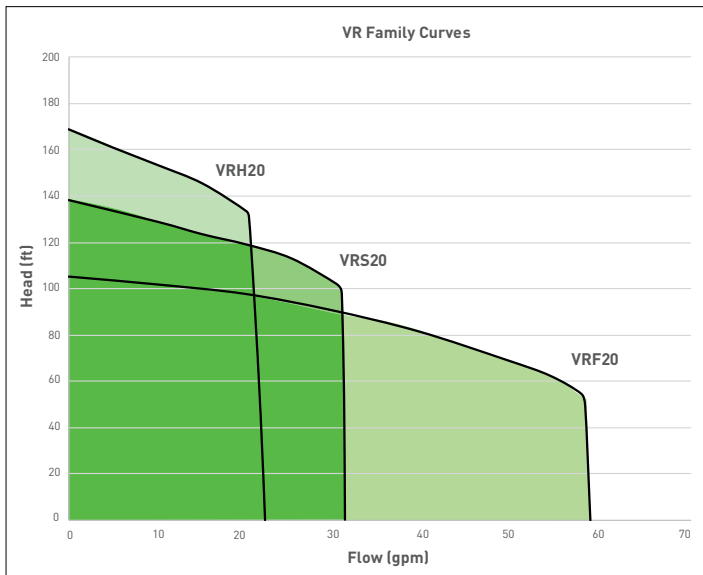
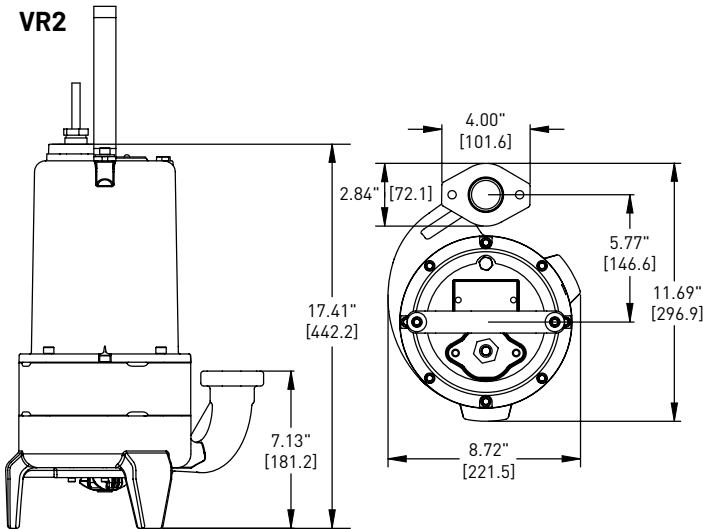
## I. Volute Case

- Cast iron, 1-1/4" vertical, flanged discharge

# PERFORMANCE DATA AND DIMENSIONS

## 3450 RPM

[Dimensions in mm]



## Electrical Data

Model	Engineering Number	HP	Voltage	Phase	Hz	Full Load Amps	Start Amps	Cord Length	Dis-charge	Switch	Weight
VRS20A-21	28200D000	2	230	1	60	15	60.7	20	1-1/4"	Auto	95
VRS20M-21	28200D010	2	230	1	60	15	60.7	20	1-1/4"	Manual	95
VRH20A-21	28200D100	2	230	1	60	15	60.7	20	1-1/4"	Auto	95
VRH20M-21	28200D110	2	230	1	60	15	60.7	20	1-1/4"	Manual	95
VRF20A-21	28200D200	2	230	1	60	15	60.7	20	1-1/4"	Auto	95
VRF20M-21	28200D210	2	230	1	60	15	60.7	20	1-1/4"	Manual	95

## Construction Materials

Motor Housing, Seal Housing, Cord Cap and Volute Case	Cast Iron, Class 30, ASTM A48
Semi-Open Impeller	Stainless steel
Power Cord	SJ00W
Mechanical Seals: Standard	Carbon and Ceramic
Pump, Motor Shaft	416 SST
Fasteners	300 Series SST
Cutting Mechanism	440 SST 58-60 Rockwell

## Product Capabilities

Capacities To:	59.5 gpm	225.2 lpm
Heads To:	169 ft.	51.5 m
Liquids Handling	domestic raw sewage	
Intermittent Liquid Temp.	up to 140°F	up to 60°C
Winding Insulation Temp. (Class F)	311°F	155°C
Motor Electrical Data	3450 rpm, 60 Hz, 1 ph 230V	
Std. Third Party Approvals	CSA	
Acceptable pH Range	6 - 9	
Specific Gravity	.9 - 1.1	
Viscosity	28 - 35 SSU	
Discharge (Flange Dia.)	1-1/4 in.	31.75 mm
Min. Sump Diameter	Simplex Duplex	24 in. 36 in.
		61.0 cm 91.4 cm



1101 Myers Parkway  
Ashland, OH 44805  
USA  
Ph: 855.274.8948

490 Pinebush Road  
Unit 4  
Cambridge, Ontario N1T 0A5  
Canada  
Ph: 800.387.4386  
Orders Fax: 888.606.5484

[www.Femyers.com](http://www.Femyers.com)



All Pentair trademarks and logos are owned by Pentair. All other brands or product names are trademarks or registered marks of their respective owners. Because we are continuously improving our products and services, Pentair reserves the right to change specifications without prior notice. Pentair is an equal opportunity employer.

M12456ENG-BR (09/07/18) ©2018 Pentair plc. All Rights Reserved.