

MYERS®

VR1 & VR2 SERIES
1 & 2 HP AUTOMATIC
GRINDER PUMPS

SHREDDING
WASTEWATER
CHALLENGES



**PATENTED AXIAL
CUTTER TECHNOLOGY**



EASY INSTALLATION



PERFORMANCE



MYERS® VR1 & VR2 SERIES AUTOMATIC GRINDER PUMPS

The new MYERS VR1 and VR2 grinders feature a patented axial cutter technology that easily slices through solids and trash found in domestic wastewater without roping or clogging. They come with plenty of standard features to make installation a breeze.



The VR1 is an ideal upgrade for residential sewage pumps struggling with trash and debris found in residential wastewater.

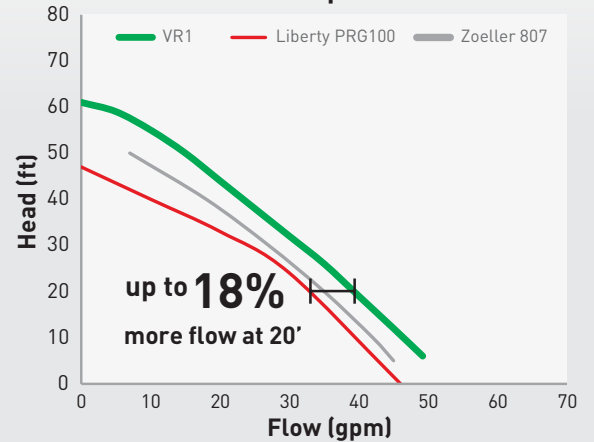


The VR2 is a rugged and economical solution for residential and pressure sewage systems.

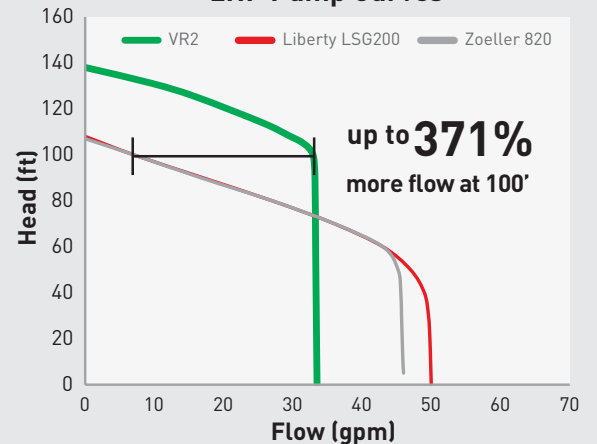


OUTPERFORMING THE COMPETITION

1HP Pump Curves



2HP Pump Curves



*Based on internal test data and published competitive flow curves.



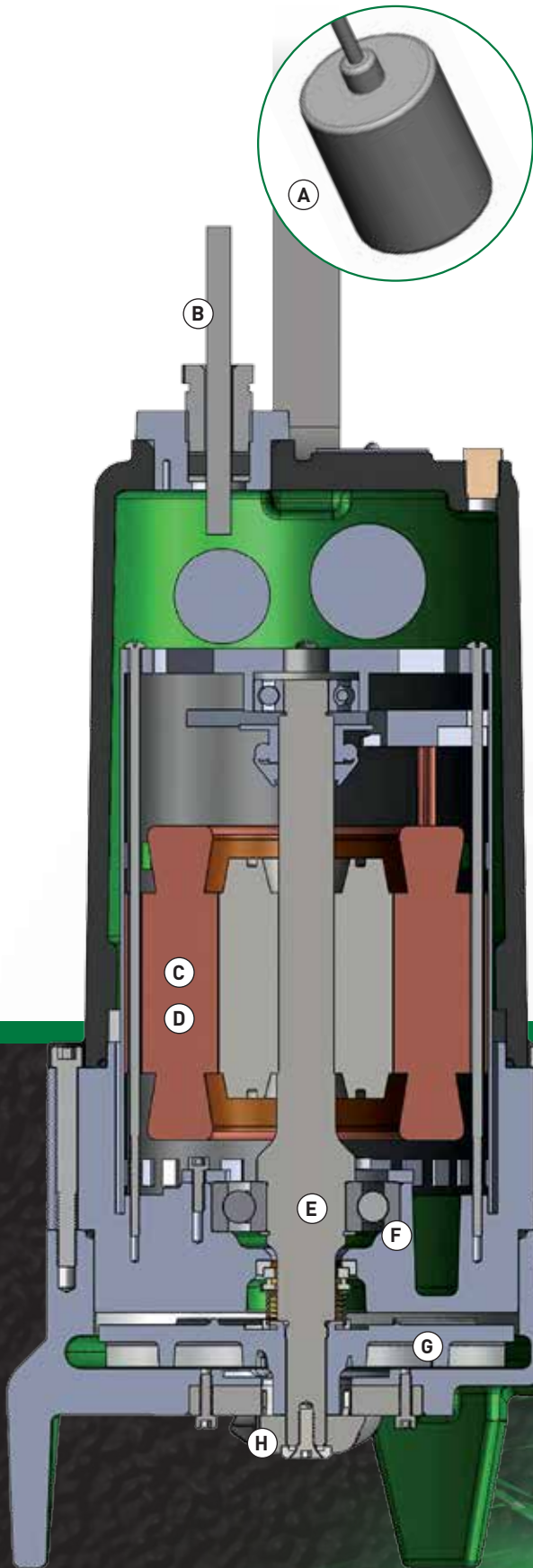
PATENTED AXIAL CUTTER TECHNOLOGY

Easily slices through solids and trash found in domestic wastewater without roping or clogging.

Watch the video at www.femyers.com



FEATURES



A. Wide Angle Float Switch

- Piggy-back cord for easy maintenance

B. Cable Entry System

- Cable jacket sealed by compression fitting and individual wires sealed by compression grommet for double seal protection against water ingress

C. Oil-Filled Motor

- Maximizes heat dissipation and provides constant bearing lubrication for long life
- High torque start/run capacitor for single phase motors for assured starting under heavy loads.
- Internal capacitors eliminate need for control panel

D. Integrated Heat Sensor

- Protects motor from burnout due to excessive heat from any overload condition. Automatically resets when motor has cooled

E. Shaft and Fasteners

- Stainless steel for maximum corrosion resistance and long life

F. Shaft Seals

- Oil lubricated single carbon and ceramic faced seal provides motor protection

G. Impeller

- Semi-open impeller handles ground slurry without clogging or binding
- Pump-out vanes help keep trash from seal and reduces pressure at seal face for longer life

H. Axial Cutter System

- Easily slice through solids and trash commonly found in domestic wastewater without roping or clogging
- Constructed of 440 SST hardened to 57-60Rc for long life
- Easily replaceable without dismantling pump

I. Volute Case

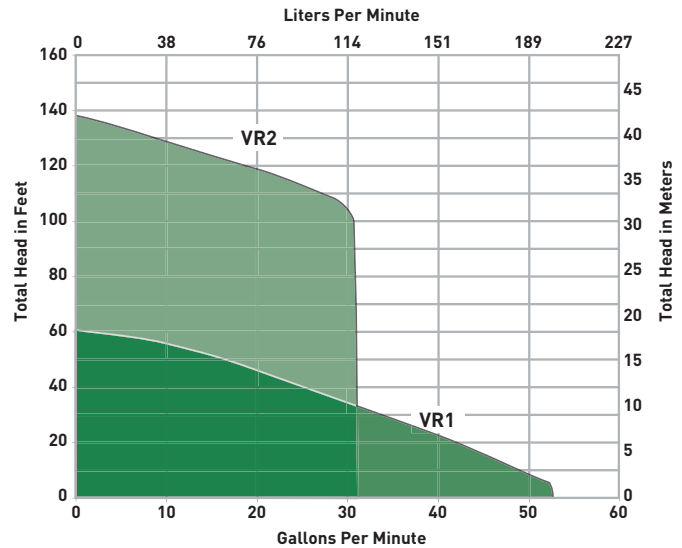
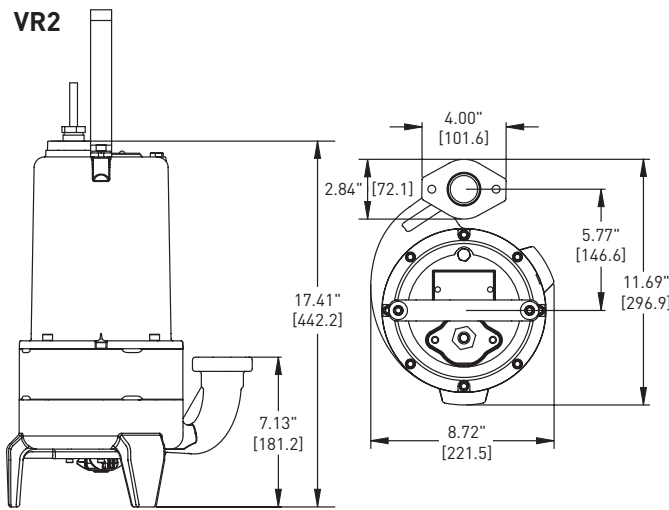
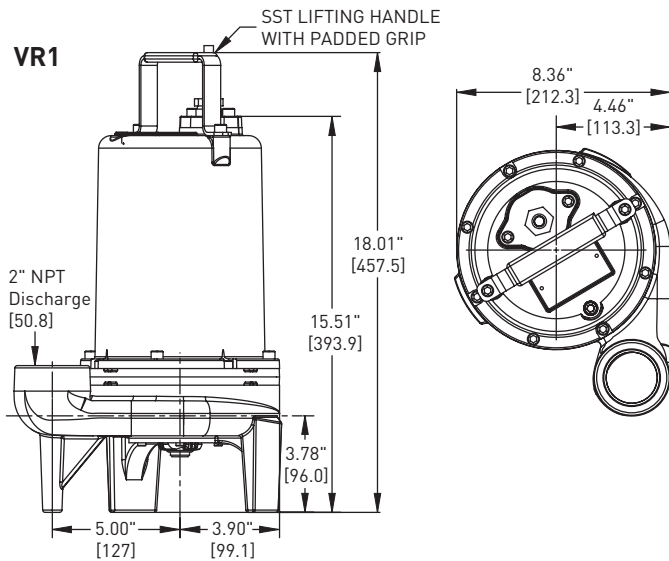
- Cast iron, 1-1/4" vertical, flanged discharge (VR2)
- 2" vertical discharge (VR1)



PERFORMANCE DATA AND DIMENSIONS

3450 RPM

[Dimensions in mm]



Product Capabilities

Capacities To:	VR1	52 gpm	196.8 lpm
	VR2	31 gpm	117 lpm
Heads To:	VR1	60 ft.	18.3 m
	VR2	138 ft.	42.1 m
Liquids Handling	domestic raw sewage		
Intermittent Liquid Temp.	up to 140°F		up to 60°C
Winding Insulation Temp. (Class F)	311°F		155°C
Motor Electrical Data	3450 rpm, 60 Hz, 1 ph 115V (VR1), 230V (VR1 and VR2)		
Std. Third Party Approvals	CSA		
Acceptable pH Range	6 - 9		
Specific Gravity	.9 - 1.1		
Viscosity	28 - 35 SSU		
Discharge (Flange Dia.)	VR1	2 in.	50.8 mm
	VR2	1-1/4 in.	31.75 mm
Min. Sump Diameter	VR1	24 in.	61.0 mm
	VR2 Simplex	24 in.	61.0 cm
	VR2 Duplex	36 in.	91.4 cm

Electrical Data

Model	Engineering Number	HP	Voltage	Phase	Hz	Amps	Cord Length	Discharge	Switch	Weight
VRS10A-11	28172D000	1	115	1	60	13	20	2"	Auto	70
VRS10M-11	28172D001	1	115	1	60	13	20	2"	Manual	70
VRS10A-21	28172D002	1	230	1	60	7	20	2"	Auto	70
VRS10M-21	28172D003	1	230	1	60	7	20	2"	Manual	70
VRS20A-21	28200D000	2	230	1	60	15	20	1-1/4"	Auto	95
VRS20M-21	28200D010	2	230	1	60	15	20	1-1/4"	Manual	95

Construction Materials

Motor Housing, Seal Housing, Cord Cap and Volute Case	Cast Iron, Class 30, ASTM A48
Semi-Open Impeller	VR1 = thermoplastic VR2 = stainless steel
Power Cord	SJ00W
Mechanical Seals: Standard	Carbon and Ceramic
Pump, Motor Shaft	416 SST
Fasteners	300 Series SST
Cutting Mechanism	440 SST 58-60 Rockwell



1101 MYERS PARKWAY, ASHLAND, OH 44805 WWW.FEMYERS.COM
PH: 855-274-8947

Because we are continuously improving our products and services, Pentair reserves the right to change specifications without prior notice.