



MYERS[®]
3RMW SERIES
VORTEX WASTEWATER PUMPS

TECHNICAL INFORMATION



THE RIGHT CHOICE

Myers 3RMW submersible wastewater vortex pumps are the right choice when difficult to pump fibrous or stringy solids are to be expected. The 3RMW series provides smooth, vibration-free operation over the entire performance curve.

Myers offers a complete line of wastewater pumps, lift-out rail assemblies, controls and accessories to meet your needs. Call your Myers distributor or the Myers sales office at 419-289-1144 for more details.

PASSES STRINGY TRASH, FIBROUS WASTES, SLURRIES, AND OTHER DIFFICULT TO PUMP SOLIDS THAT STANDARD ENCLOSED OR SEMI-OPEN IMPELLERS CANNOT.

- Recessed impeller design has completely open passage in volute.
- Operates without vibration or cavitation over entire performance curve. Operates near shutoff without harming pump.

DURABLE MOTOR WILL DELIVER MANY YEARS OF RELIABLE SERVICE.

- Recessed impeller greatly increases bearing life by reducing radial load.
- Oil-filled motor for maximum heat dissipation and constant bearing lubrication.
- Heat sensor thermostats embedded in windings protect motor from overheat conditions.
- Seal leak probes warn of moisture entry; helps prevent costly motor burnout (dual seal only).

Product Capabilities

Capacities To	280 gpm	17.67 lps
Heads To	51 ft.	15.55 m
Solids Handling 1750 3450	2½ in. 2 in.	63.5 mm 50.6 mm
Liquids Handling	raw sewage, effluent, rain water	
Intermittent Liquid Temp.	up to 140°F	up to 60°C
Winding Insulation Temp. (Class B)	260°F	130°C
Motor Electrical Data (single phase are psc type; three phase need Myers control panel)	1750 rpm 1½ – 3 HP 208/230 volt, 1Ø, 60 Hz, 1750 rpm	3450 rpm 1 – 3 HP 200/230/460/575 volt, 3Ø, 60 Hz 3Ø, 60 Hz
Third Party Approvals	CSA	
Acceptable pH Range	6 – 9	
Specific Gravity	.9 – 1.1	
Viscosity	28 – 35 SSU	
Discharge, Horizontal	3" flanged	
Minimum Sump Dia. (Duplex)	48 in.	1.2 m

NOTE: Consult factory for applications outside these recommendations.

Construction Materials

Motor Housing, Seal Housing, Volute Case	cast iron, Class 30, ASTM A48
Recessed Impeller	ductile iron, Class 65, ASTM A536
Power and Control Cords	S00W / SJ00W
Mechanical Seals Standard Optional	single or dual, type 21 carbon and ceramic tungsten carbide
Pump, Motor Shaft	416 SST
Fasteners	300 series SST

ADVANTAGES BY DESIGN

POWER & CONTROL CORDS

Jacket sealed with compression fittings. Individual wires potted with epoxy to prevent wicking in case of cord damage.

BALL BEARINGS

Upper and lower ball bearings support rotor and take radial and thrust loads.

SEAL LEAK PROBES

Detect water leakage in seal housing. Activates warning light. (Dual seal models only)

PUMP OUT VANES

Help keep trash from seal, reduces pressure at seal faces.

MOTOR HOUSING

Cast iron for efficient heat transfer and corrosion resistance.

MOTOR

1, 1½, 2 and 3 HP single or three phase, 60 Hz, 3450 RPM. 1½, 2 and 3 HP single or three phase, 60 Hz, 1750 RPM. Single phase PSC motors have built-in winding overload protection, oil-cooled and lubricated.

SHAFT SEALS

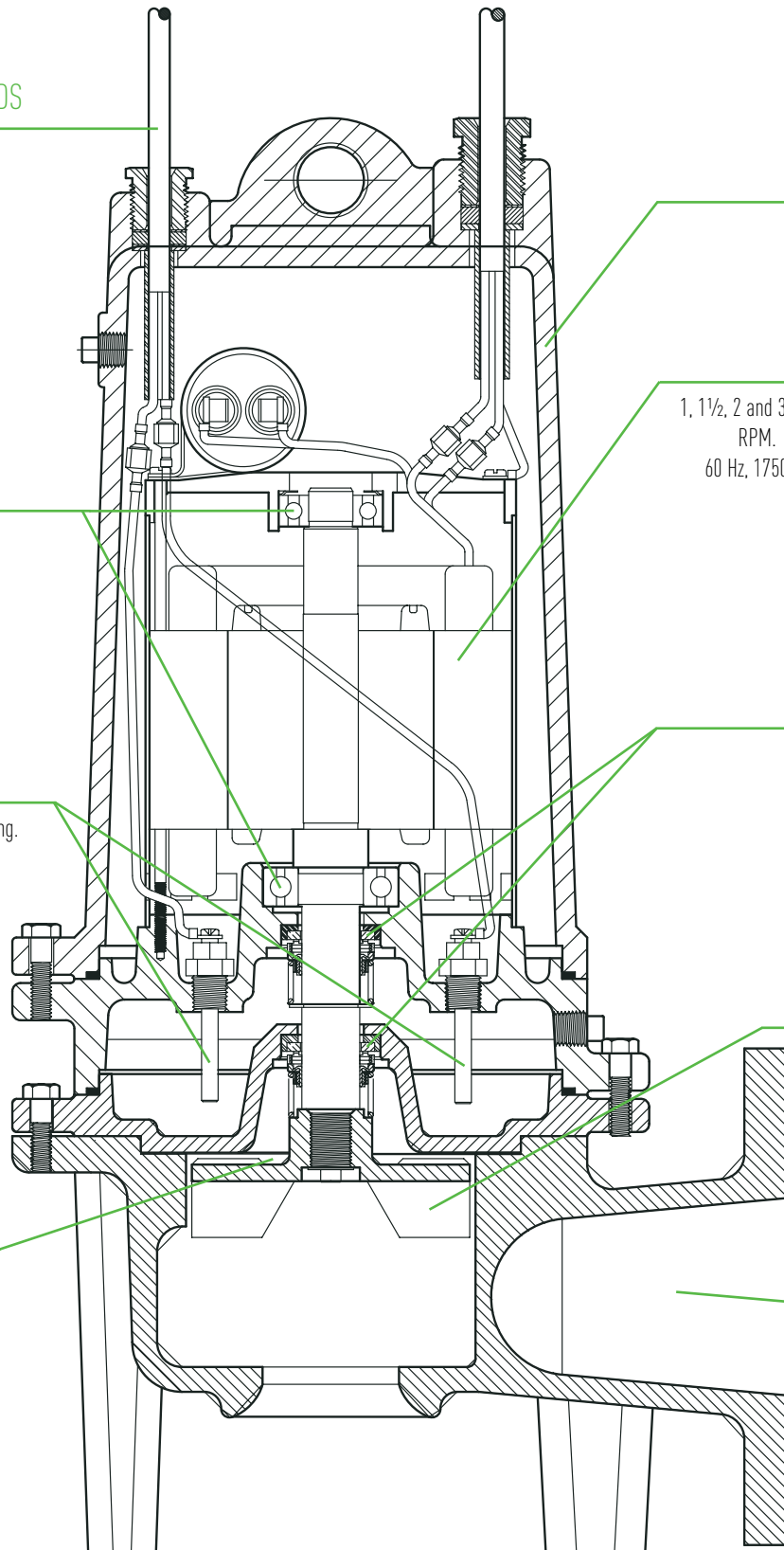
Carbon and ceramic faces. Optional tungsten carbide.

RECESSED OPEN VANE IMPELLER

Ductile iron construction.

HIGH EFFICIENT CAST IRON VOLUTE

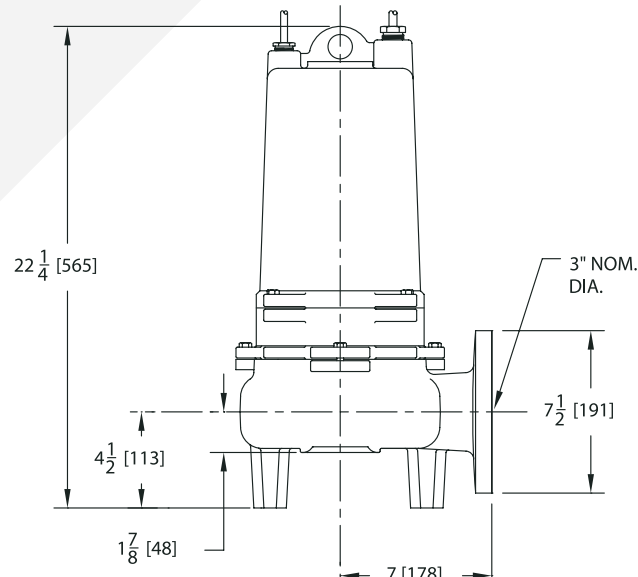
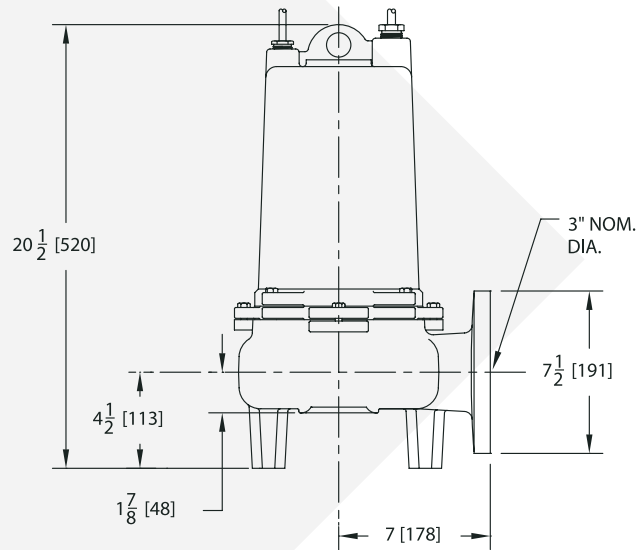
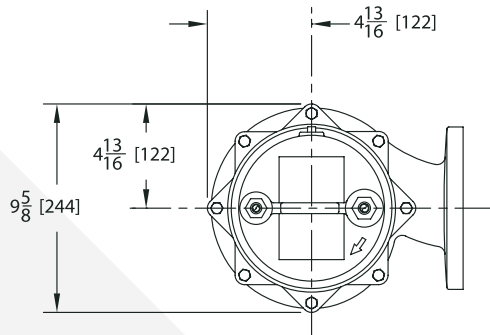
Corrosion resistant. 3" Flanged horizontal discharge with legs.



(Dual seal model shown)

PUMP DIMENSIONS

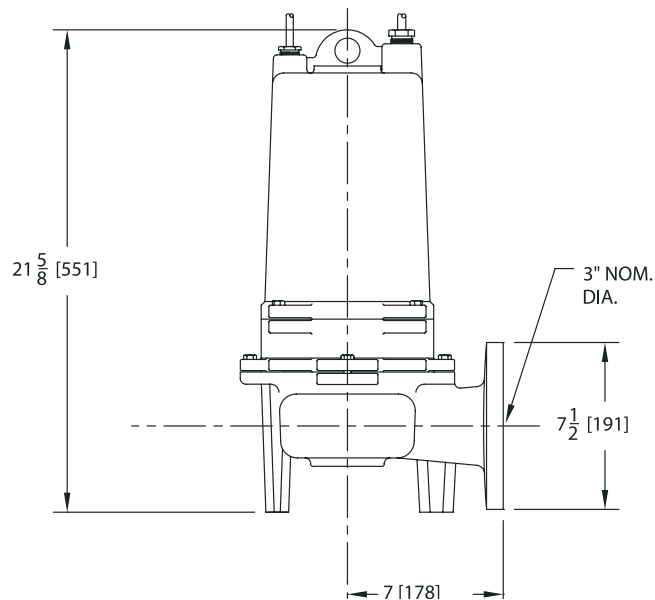
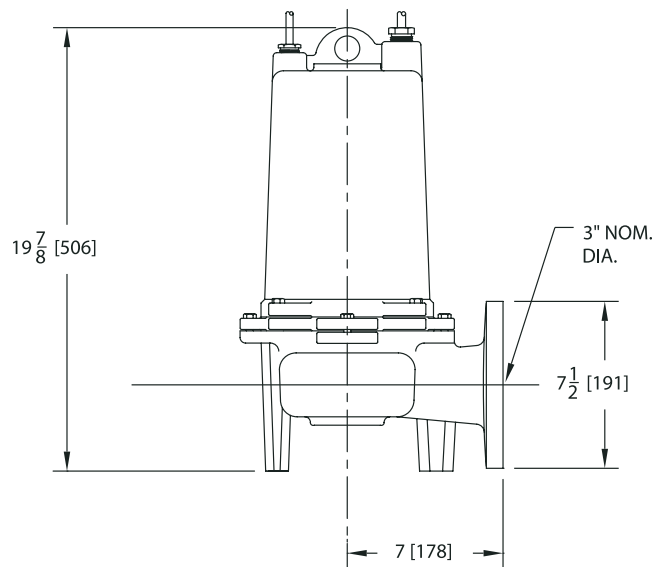
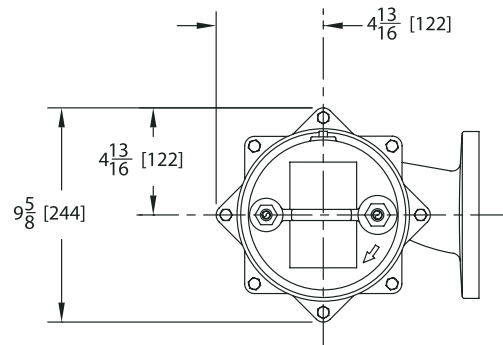
1750 RPM



Dimensions in inches
[] Dimensions in mm

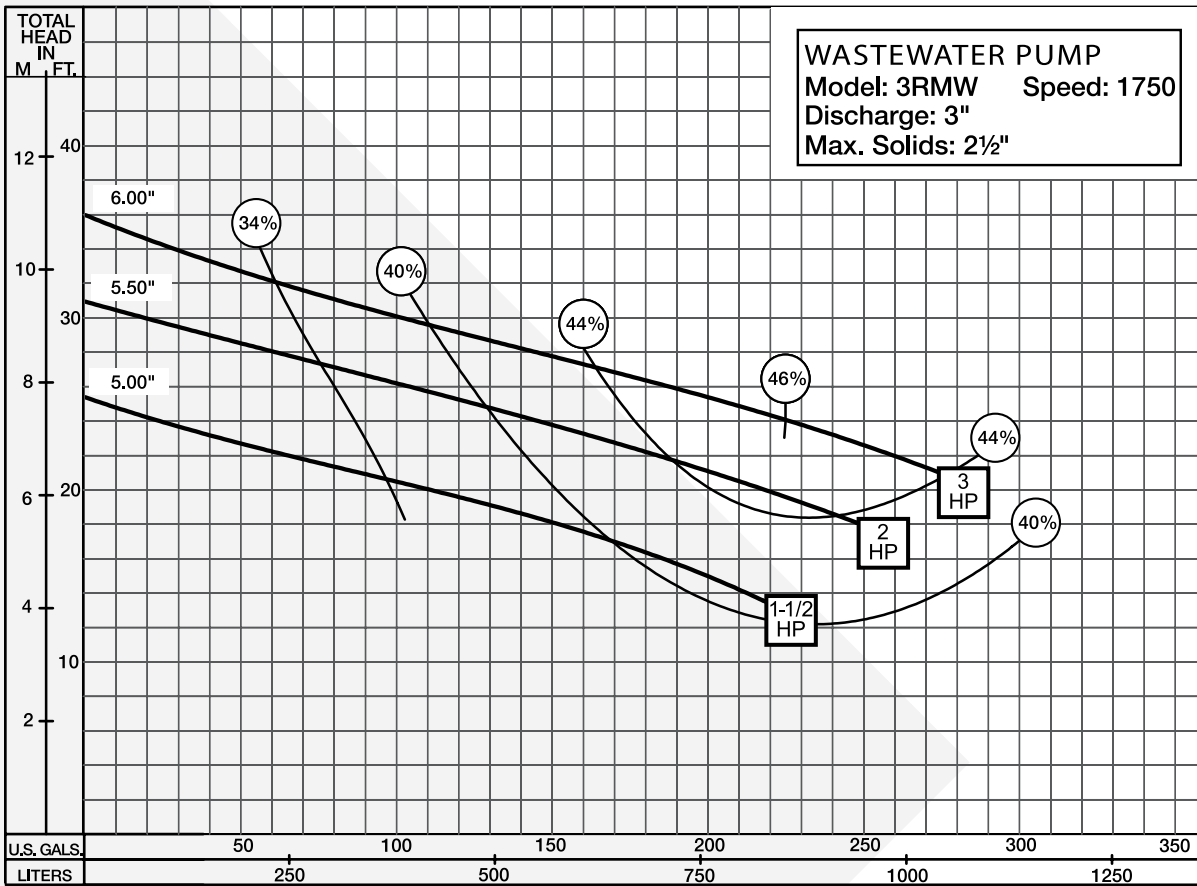
PUMP DIMENSIONS

3450 RPM



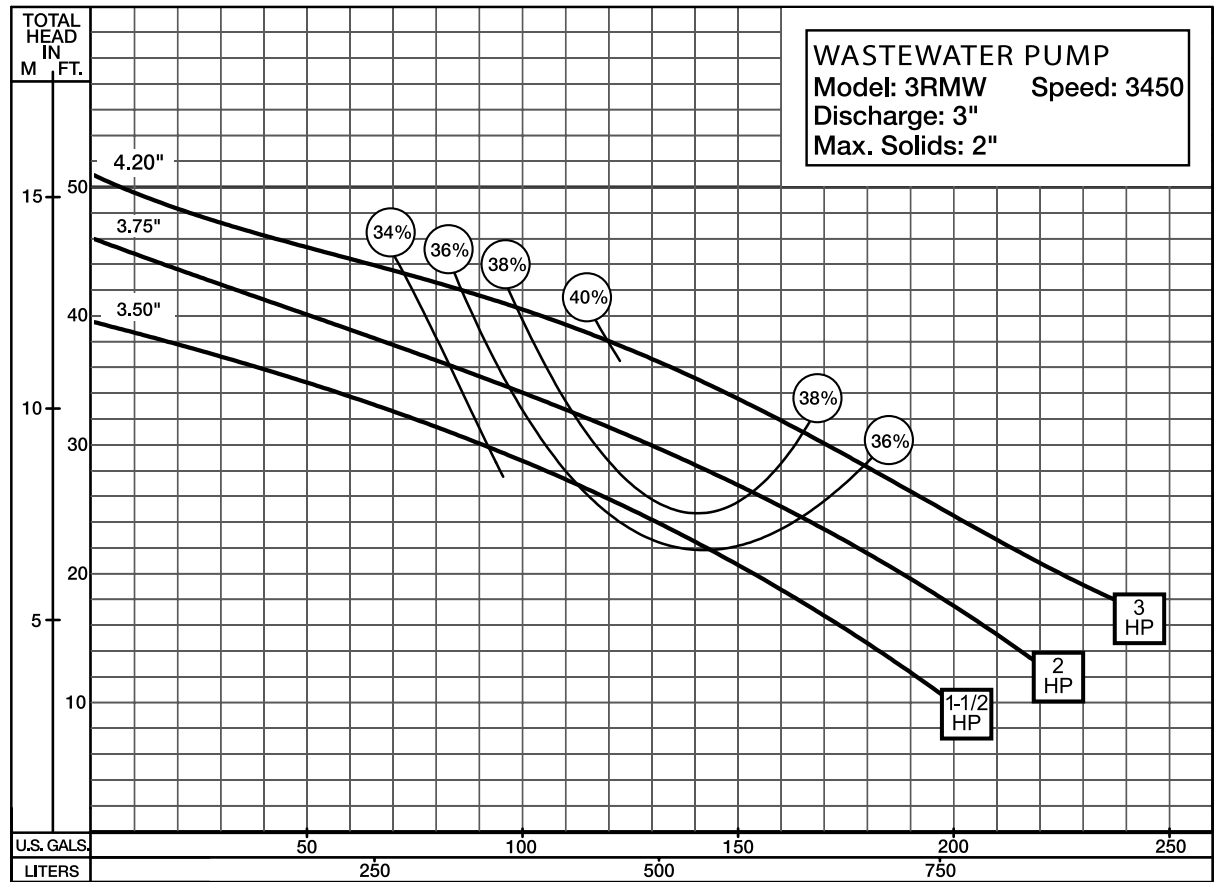
Dimensions in inches
 [] Dimensions in mm

1750 RPM PERFORMANCE CURVE



Available Models		Motor Electrical Data								
Model	HP	PH	Volts	Hz	Start Amps	Run Amps	Run kW	Start KVA	NEC Code Letter	
3RMW15M4-01	1.5	1	208	60	39.9	16.6	2.7	8.3	A	
3RMW15M4-21	1.5	1	230	60	33.4	15	2.3	7.7	A	
3RMW15M4-03	1.5	3	208	60	45	11	2.2	16.2	F	
3RMW15M4-23	1.5	3	230	60	48	10	2.2	19.1	H	
3RMW15M4-43	1.5	3	460	60	24	5	2.2	19.1	H	
3RMW15M4-53	1.5	3	575	60	19	4	2.2	18.9	H	
3RMW20M4-01	2	1	208	60	39.9	17.7	3.4	8.3	A	
3RMW20M4-21	2	1	230	60	33.4	16	3	7.7	A	
3RMW20M4-03	2	3	208	60	45	13	2.9	16.2	F	
3RMW20M4-23	2	3	230	60	48	12	2.9	19.1	H	
3RMW20M4-43	2	3	460	60	24	6	2.9	19.1	H	
3RMW20M4-53	2	3	575	60	19	4.8	2.9	18.9	H	
3RMW30M4-21	3	1	230	60	33.4	20	3.8	7.7	A	
3RMW30M4-03	3	3	208	60	45	15	3.5	16.2	F	
3RMW30M4-23	3	3	230	60	48	13.5	3.5	19.1	H	
3RMW30M4-43	3	3	460	60	24	6.8	3.5	19.1	H	
3RMW30M4-53	3	3	575	60	19	5.5	3.5	18.9	H	

3450 RPM PERFORMANCE CURVE



Available Models		Motor Electrical Data								
Model	HP	PH	Volts	Hz	Start Amps	Run Amps	Run kW	Start KVA	NEC Code Letter	
3RMW15M2-01	1.5	1	208	60	39.9	14.8	3.3	8.3	F	
3RMW15M2-21	1.5	1	230	60	33.4	12.8	3	7.7	F	
3RMW15M2-03	1.5	3	208	60	30	8.8	2.7	10.8	J	
3RMW15M2-23	1.5	3	230	60	32	8	2.7	12.8	K	
3RMW15M2-43	1.5	3	460	60	16	4	2.7	12.8	K	
3RMW15M2-53	1.5	3	575	60	13	3.2	2.7	13.0	K	
3RMW20M2-01	2	1	208	60	63	17.7	3.5	13.1	D	
3RMW20M2-21	2	1	230	60	63	16	3.5	14.5	E	
3RMW20M2-03	2	3	208	60	53	13	3.4	19.1	H	
3RMW20M2-23	2	3	230	60	50	12	3.4	19.9	H	
3RMW20M2-43	2	3	460	60	25	6	3.4	19.9	H	
3RMW20M2-53	2	3	575	60	20	4.8	3.4	19.9	H	
3RMW30M2-21	3	1	230	60	63	19	4.3	14.5	E	
3RMW30M2-03	3	1	208	60	53	14.7	4.2	19.1	H	
3RMW30M2-23	3	3	230	60	50	13.3	4.2	19.9	H	
3RMW30M2-43	3	3	460	60	25	6.7	4.2	19.9	H	
3RMW30M2-53	3	3	575	60	20	5.2	4.2	19.9	H	



740 EAST 9TH STREET,
ASHLAND, OHIO 44805
WWW.FEMYERS.COM

269 TRILLIUM DRIVE, KITCHENER,
ONTARIO, CANADA N2G 4W5
WWW.FEMYERS.COM

Because we are continuously improving our products and services, Pentair reserves the right to change specifications without prior notice.
K4612 09/17/13 © 2013 Pentair Ltd. All Rights Reserved.