



WG(X)75HH/100H/150H

# SUBMERSIBLE GRINDER PUMPS



APPROVED

(WG75HH/100H/150H only)

STANDARD AND HAZARDOUS LOCATION  
7-1/2, 10, AND 15 HP

[WWW.FEMYERS.COM](http://WWW.FEMYERS.COM)

# MYERS® WG(X)75HH/100H/150H

## TECHNICAL INFORMATION



### THE RIGHT CHOICE

The Myers' high head 7 1/2, 10 and 15 HP submersible centrifugal grinder pumps are designed for municipal, commercial or industrial applications. These pumps are especially suited for use in pressure sewer applications or in systems with long discharge runs or high static heads. The pumps feature a heavy-duty cutter mechanism and recessed impeller designed to efficiently grind typical sewage solids into a fine slurry.

The grinder pumps are available in standard and FM Listed hazardous location construction for use in Class 1, Groups C & D hazardous locations.

Pentair's line of Myers grinder pumps can be installed in a variety of packaged systems. Factory-assembled simplex or duplex packages with guide rail systems are available. Individual rail components are also available for installation in on-site concrete systems. Pentair offers a complete line of submersible sump, sewage, effluent, grinder, solids handling wastewater pumps, controls, basins and accessories. For additional information, please contact your local sales representative or the sales office at 419-289-1144.

### IDEAL FOR USE IN PRESSURE SEWER SYSTEMS.

- Recessed impeller provides steep non-overloading operating curve.

### DURABLE MOTOR WILL DELIVER MANY YEARS OF RELIABLE SERVICE.

- Oil-filled motor for maximum heat dissipation and constant bearing lubrication.
- Recessed impeller reduces radial bearing loads; increases bearing life.
- High-torque three phase motors for assured starting under heavy load.
- Seal leak probes and on-winding heat sensors warn of seal leak condition and stop motor if motor overheats. Helps prevent costly motor damage.

### DESIGNED FOR EASY MAINTENANCE.

- Shredding ring and grinder impeller are replaceable without dismantling pump or motor.

### Product Capabilities

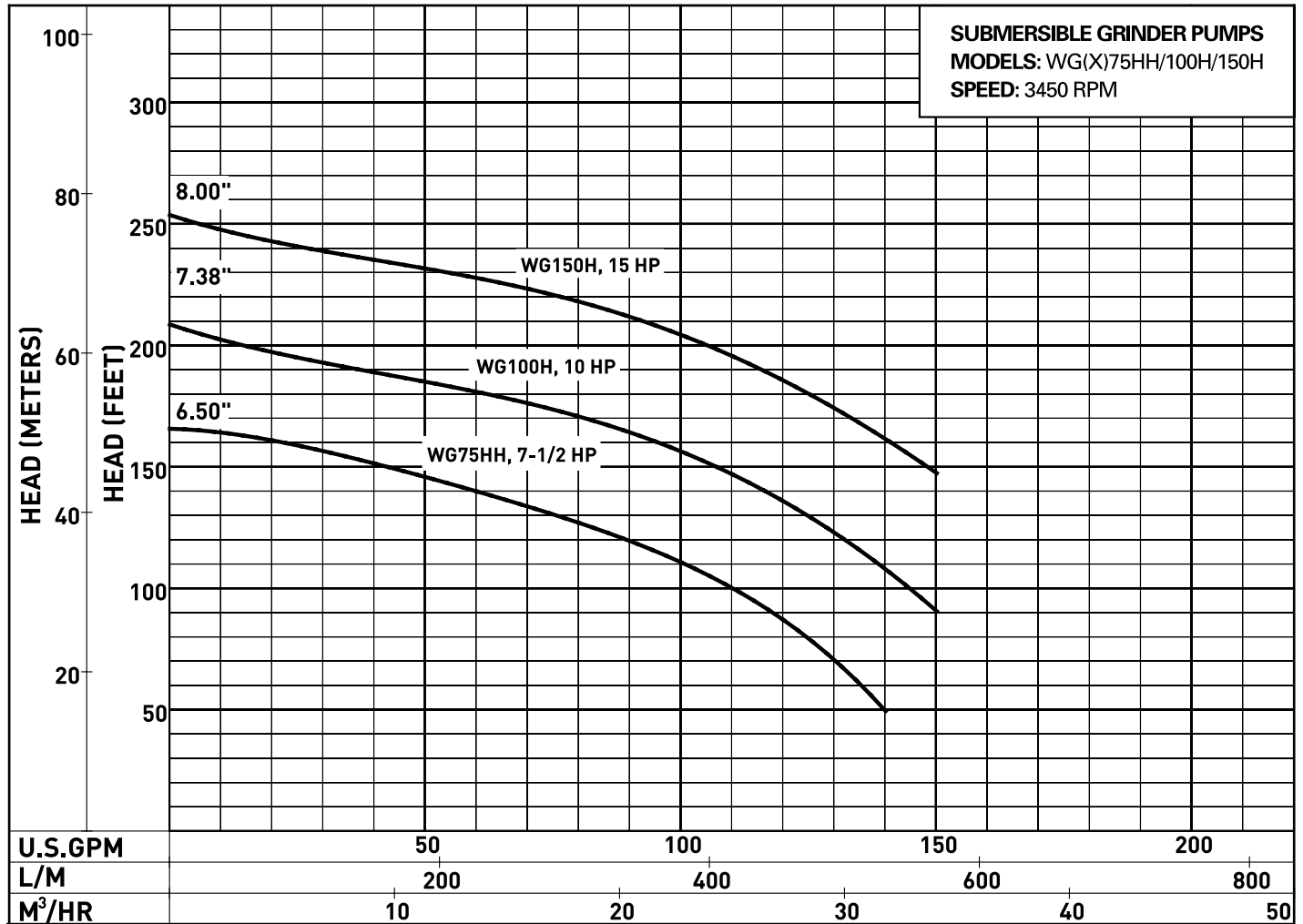
Capacities To	150 gpm	568 lpm
Heads To	257 ft.	78 m
Liquids Handling	domestic raw sewage	
Intermittent Liquid Temp.	up to 140°F	up to 60°C
Winding Insulation Temp. (Class H)	356°F	180°C
Motor Electrical Data	3450 RPM 7½, 10 and 15 HP 200/230/460/575 volts 3 phase, 60 Hz	
Std. Third Party Approvals	CSA	
Optional Approvals	FM Class 1, Groups C & D (WG75HH/100H/150H only)	
Acceptable pH Range	6 - 9	
Specific Gravity	.9 - 1.1	
Viscosity	28 - 35 SSU	
Discharge (Flange Dim.)	2½ in.	63.5 mm

NOTE: Consult factory for applications outside these recommendations.

### Construction Materials

Motor Housing, Seal Housing, Cord Cap and Volute Case	cast iron, Class 30, ASTM A48
Impeller, Recessed	ductile iron
Power and Control Cord	S00W, W
Mechanical Seals Standard Optional	Double Tandem Carbon and ceramic Lower tungsten carbide, silicon carbide
Pump, Motor Shaft	416 SST
Fasteners	300 Series SST
Shredding Ring and Grinder Impeller	440 SST, 58-60 Rockwell

# 3450 RPM PERFORMANCE CURVES



Available Models		Motor Electrical Data											
Standard	Hazardous Location	HP	Volts	Phase	Hertz	Start Amps	Full Load Amps	Run KW	Service Factor KW	Start KVA	Full Load KVA	NEC Code Letter	Service Factor
WG75HH-03	WG75HH-03	7.5	208	3	60	141	37.6	12.3	48.8	13.5	H	1.0	1.0
WG75HH-23	WHX75HH-23	7.5	230	3	60	122.4	34	12.3	48.8	13.5	H	1.0	1.0
WG75HH-43	WG75HH-43	7.5	460	3	60	61.2	17	12.3	48.8	13.5	H	1.0	1.0
WG75HH-53	WHX75HH-53	7.5	575	3	60	49	13.6	12.3	48.8	13.5	H	1.0	1.0
WG100H-03	WG100H-03	10	208	3	60	141	50.1	15.4	48.8	18.1	E	1.0	1.0
WG100H-23	WG100H-23	10	230	3	60	122.4	45.3	15.4	48.8	18.1	E	1.0	1.0
WG100H-43	WG100H-43	10	460	3	60	61.2	22.7	15.4	48.8	18.1	E	1.0	1.0
WG100H-53	WG100H-53	10	575	3	60	49	18.2	15.4	48.8	18.1	E	1.0	1.0
WG150H-03	WG150H-03	15	208	3	60	237	63.5	18.9	82.1	22.8	F	1.0	1.0
WG150H-23	WG150H-23	15	230	3	60	206	57.4	18.9	82.1	22.8	F	1.0	1.0
WG150H-43	WG150H-43	15	460	3	60	103	28.7	18.9	82.1	22.8	F	1.0	1.0
WG150H-53	WG150H-53	15	575	3	60	83	23	18.9	82.1	22.8	F	1.0	1.0

# ADVANTAGES BY DESIGN

## HEAT SENSOR

Protects motor from burnout due to excessive heat from any overload condition. Automatically resets when motor has cooled.

## CABLE ENTRY SYSTEM

Provides double seal protection. Cable jacket sealed by compression grommet. Individual wires sealed by epoxy potting.

## HEAVY 416 SST SHAFT

Corrosion resistant. Reduces shaft deflection due to grinding loads.

## STATOR

3450 RPM, 3 phase. Press fit for perfect alignment and best heat transfer. Oil-filled motor conducts heat and lubricates bearings. Class H, VFD.

## BALL BEARINGS

Upper and lower ball bearings support shaft and rotor and take axial and radial loads.

## SHAFT SEALS

Double tandem mechanical shaft seals protect motor. Oil-filled seal chamber provides continuous lubrication.

## SLEEVE BEARING

Takes radial shock load; provides flame path.

## SEAL LEAK PROBES

Detect water in seal housing. Activates warning light in control panel. (Test resistor on FM listed pumps only.)

## VOLUTE CASE

Cast iron; horizontal discharge. (Drilled for 2 1/2" pipe flange.)

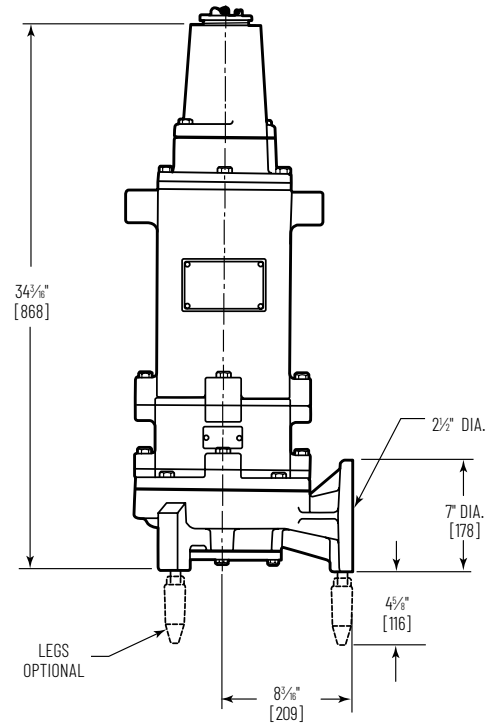
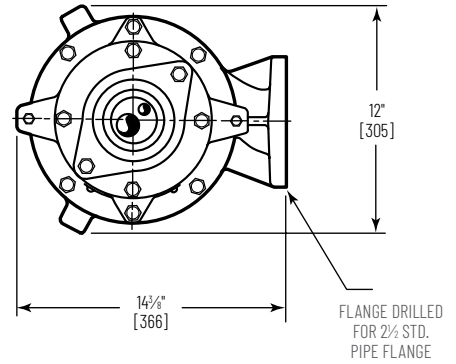
## IMPELLER

Ductile iron recessed impeller handles ground slurry without clogging or binding. Provides unobstructed flow passage. Reduces radial loads. Pump-out vanes help keep trash from seal; reduces pressure at seal faces.

## GRINDER ASSEMBLY

Grinder impeller and shredding ring are replaceable without dismantling pump. Constructed of 440 SST hardened to 58-60 Rockwell.

## DIMENSIONS [Dimensions in mm]



740 East 9th Street  
Ashland, Ohio 44805  
USA

490 Pinebush Road  
Unit 4  
Cambridge, Ontario N1T 0A5  
Canada

[www.Femyers.com](http://www.Femyers.com)

All Pentair trademarks and logos are owned by Pentair. All other brands or product names are trademarks or registered marks of their respective owners. Because we are continuously improving our products and services, Pentair reserves the right to change specifications without prior notice. Pentair is an equal opportunity employer.

K4183 (01/21/19) ©2018 Pentair plc. All Rights Reserved.