



MYERS[®]
AG SERIES
AGRICULTURAL SEWAGE PUMPS
3 & 5 HP

MYERS® AG SERIES

AG3 & AG5

MYERS AG Series is designed specifically for use in agricultural lagoon and sewage pit applications. The AG Series is the right choice to handle stringy trash, fibrous wastes, slurries and other difficult to pump solids without plugging the impeller. The AG pumps have been field proven to provide reliable operation and dependable performance. MYERS offers a complete line of wastewater pumps, controls and accessories to meet your needs.

ADVANTAGES BY DESIGN

- **Solids Handling Operation**
 - Passes stringy trash, fibrous waste and other difficult solids without plugging the pump
 - Pumping action is by Vortex; solids cannot get caught in completely open volute passage
 - Easily passes solids; 3 & 5 HP -- 3" solids
- **Strong Pumping Performance**
 - Heads to 50 feet
 - Capacities to 500 gpm
- **Durable, Long-Life Construction**
 - Tough powder coated finish on complete liquid end prevents buildup of salt crystals and solids
 - Heavy-duty cast iron construction
 - Heavy-duty motor equipped with thermal overload protection and automatic reset
 - Double shaft seals and seal leak probe for maximum motor protection
- **Simple, Easy Installations**
 - All pumps equipped with lifting handle and legs

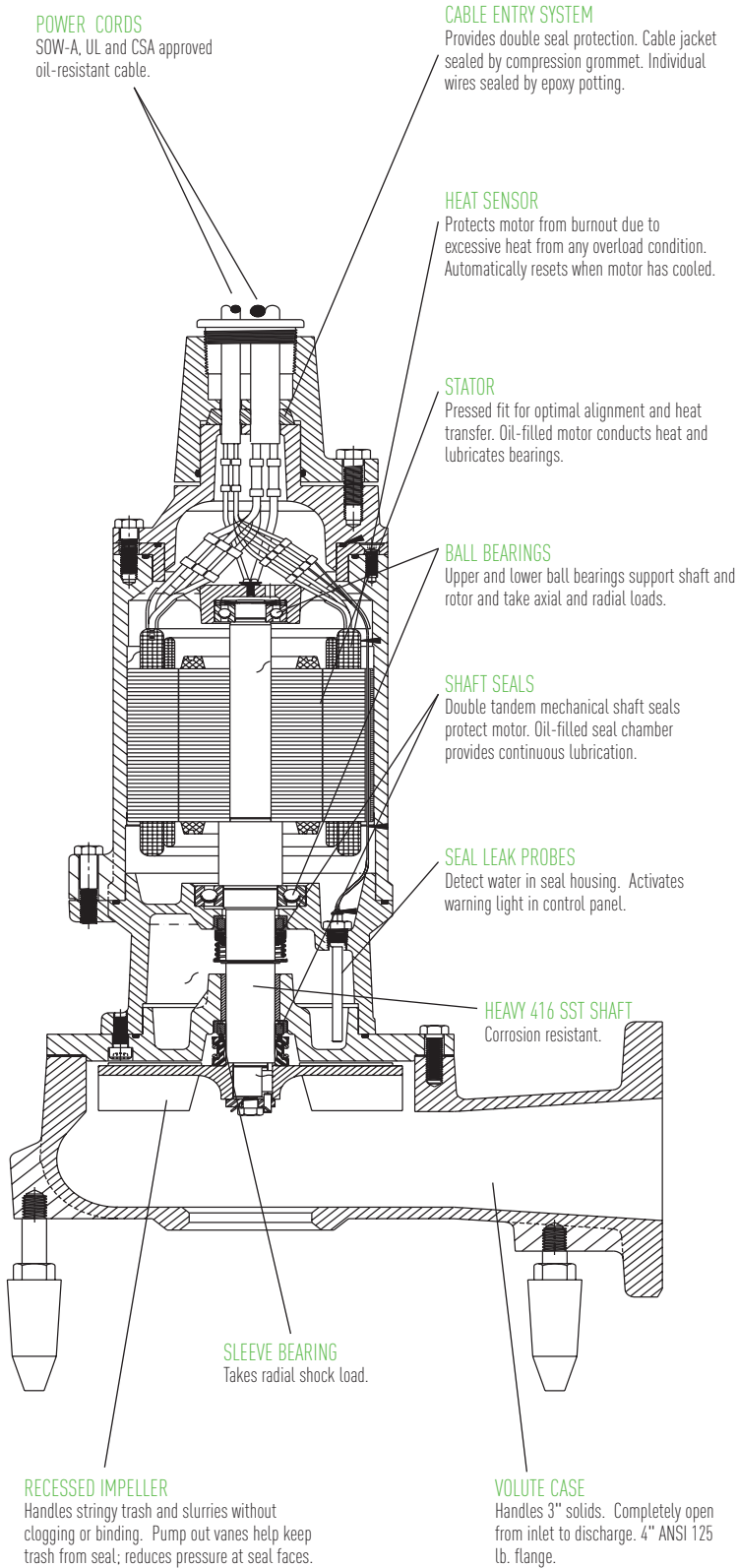
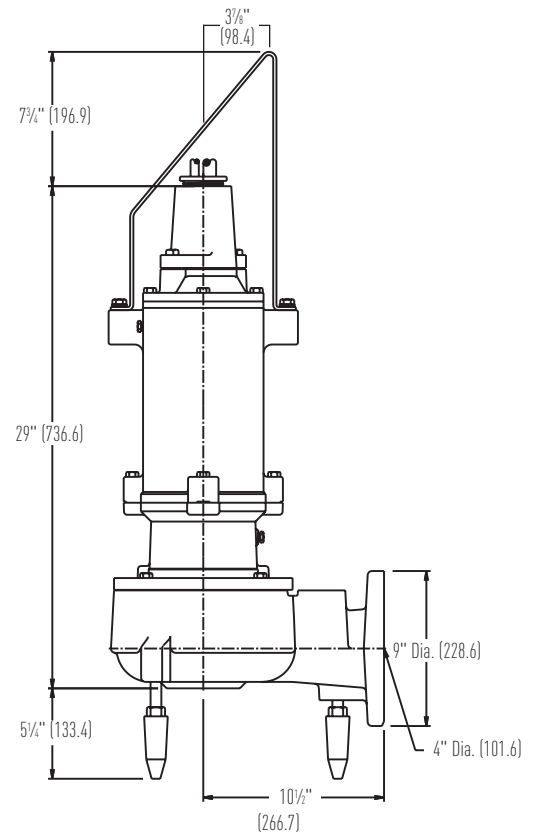
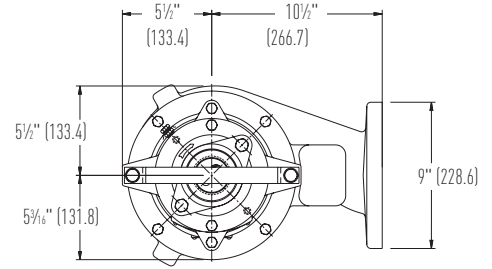


Construction Materials

Motor Housing, Seal Housing, Cord Cap and Volute Case	cast iron, Class 30 ASTM A48-76
Recessed, Impeller	3 & 5 HP – ductile iron Class 65, ASTM A536-80
Power and Control Cord	25 ft. SOW/SOW-A
Mechanical Seals Upper (back-up) Lower (main)	double tandem, type 2100 carbon and ceramic silicon, carbide
Pump, Motor Shaft	416 SST
Fasteners	300 series SST
Motor	1 phase, 230V, 60 Hz 1750 rpm – 3 & 5 hp

DIMENSIONS

() Dimensions in mm



PUMP TECHNICAL DATA

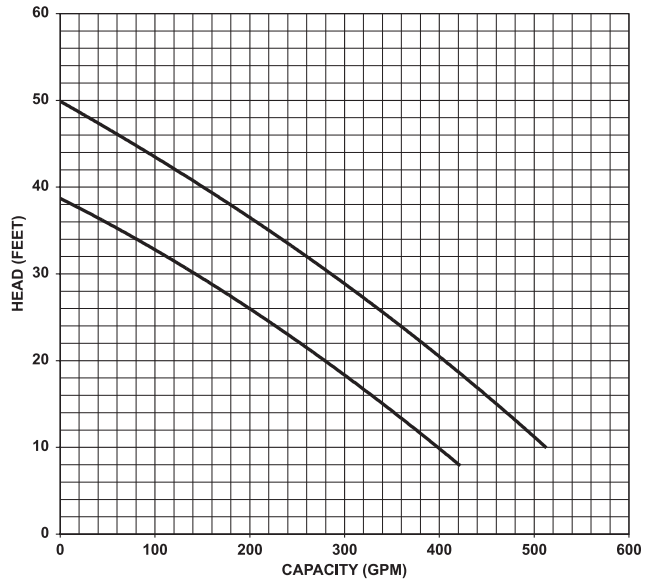
MODEL	HP	VOLTS	PHASE	Hz	RPM	FULL LOAD AMPS	SOLIDS HANDLING	WEIGHT (LBS.)
AG3	3	230	1	60	1750	21	3"	200
AG5	5	230	1	60	1750	41	3"	210

CONTROL BOXES

MODEL	HP	VOLTS	PHASE	TYPE	NEMA	SHIP WT. LBS.
CNC-30-21SW	3	230	1	Simplex	4 X	21
CNC-30-21DW	3	230	1	Duplex	4 X	35
CNC-50-21SW	5	230	1	Simplex	4 X	21
CNC-50-21DW	5	230	1	Duplex	4 X	35

1. Panels meet UL approval, UL label will be installed.
2. All panels have seal leak light.
3. CNC simplex single phase panels include NEMA 4X FRP enclosure, 17½" x 15½" x 7¼" overall dimensions; two drawn down hasps with provision for pad locking; switches and indicator lights mounted on dead front full inner door; 2-pole pump circuit breaker; start relay; start capacitor(s); run capacitor(s); IEC rated magnetic contactor; pump H-O-A switch; alarm test switch; amber pump run light; red seal leak indicator light; heat sensor circuit; 1-pole, ambient compensated, quick trip, overload relay; terminal blocks; ground lug; flashing red alarm light (40 watt) with polycarbonate globe; separate alarm and control fuses.
4. CNC duplex single phase panels include NEMA 4X FRP enclosure, 19½" x 17½" x 10½" overall dimensions; two drawn down hasps with provision for pad locking; switches and indicator lights mounted on dead front full inner door; two 2-pole pump circuit breakers; two sets start relays; two sets start capacitors; two sets run capacitors; two IEC rated magnetic contactors; two pump H-O-A switches; alarm test switch; two amber pump run lights; two red seal leak indicator lights; two heat sensor circuits; two 1-pole, ambient compensated, quick trip, overload relays; terminal blocks; ground lug; flashing red alarm light (40 watt) with polycarbonate globe; separate alarm and control fuses; alternator relay; override relays.
5. Simplex control panels require three float controls, duplex require four float controls, must be ordered separately.

PERFORMANCE CURVE



FLOAT SWITCHES

MODEL	DESCRIPTION	SHIP WT. LBS.
SM15NO	Mercury* switch sealed in polypropylene float ball weight attached to cord 15' of 18/2 SJOW/A cord, rated 125VA @ 115VAC ball colored green	5
SM25NO	Same as above, except 25' cord length	7

*This product contains mercury and must be disposed of according to local and federal codes.



1101 MYERS PARKWAY
ASHLAND, OHIO 44805
PH: 855-274-8947
WWW.FEMYERS.COM

490 PINEBUSH ROAD, UNIT 4
CAMBRIDGE, ONTARIO, CANADA N1T 0A5
PH: 800-363-7867
WWW.FEMYERS.COM

Because we are continuously improving our products and services, Pentair reserves the right to change specifications without prior notice.
K4155 05/30/17 © 2017 Pentair plc. All Rights Reserved.