



MYERS[®]

MODELS 3WHV and V3WHV

**SOLIDS HANDLING WASTEWATER PUMPS
HORIZONTAL AND VERTICAL DISCHARGE**



MYERS® MODELS 3WHV and V3WHV Solids Handling Pumps

Designed for Light & Medium Commercial Applications

The 3WHV and V3WHV series solids handling pumps are designed primarily for commercial applications such as schools and churches, industrial plants, shopping centers, apartments and condominiums, marinas, interstate rest stops, sewage collection systems, campgrounds, motels, restaurants, office and commercial buildings, state and federal parks, hospitals and nursing homes, dewatering, trailer parks and treatment plants.

This pump can be installed on legs (vertical discharge) or with a quick-disconnect slide rail system. Its ability to handle 2½-inch spherical solids makes it ideal for most light to medium commercial installations. For more information, contact your Myers distributor or the Myers sales office at 419-289-1144.



Product Capabilities

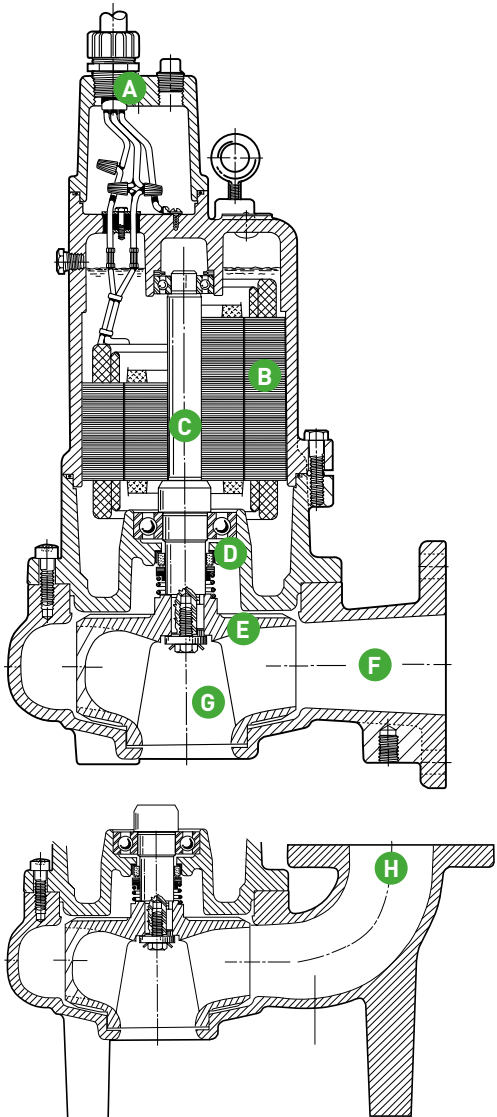
Capacities To	400 gpm	25.24 lpm
Heads To	48 ft.	14.6 m
Solids Handling (dia.)	2-1/2 in.	63.5 mm
Liquids Handling	raw unscreened sewage, effluent, storm water	
Intermittent Liquid Temp.	up to 140°F	up to 60°C
Winding Insulation Temp. (Class B)	266°F	130°C
Motor Electrical Data <small>(Single phase motors are capacitor start type. Myers control panels or capacitor kits are recommended for proper operation and warranty.)</small>	1750 RPM 1-5 HP, 230V, 1Ø, 60 Hz 1-5 HP, 200/230/460/575V, 3Ø, 60 Hz	
Std. Third Party Approvals	CSA	
Acceptable pH Range	6 - 9	
Specific Gravity	.9 - 1.1	
Viscosity	28 - 35 SSU	
Discharge, Flanged Centerline (Horiz. or Vert.)	3 in.	76.2 mm
Min. Sump Diameter Duplex	60 in.	1.5 m

Note: Consult factory for applications outside these recommendations.

Construction Materials

Motor Housing, Seal Housing, Cord Cap and Volute Case	cast iron, Class 30, ASTM A48
Enclosed 2-Vane Impeller	ductile iron, Class 65, ASTM A536
Power Cord	S00W, W
Control Cord	S00W
Mechanical Seals: Standard Optional	single, type 21 carbon and ceramic tungsten, carbide
Pump, Motor Shaft	416 SST
Fasteners	300 Series SST

Pump Features and Applications



C. Stainless Steel Shaft

Prevents deflection from impeller radial loads when pump operates at heads higher than peak efficiency range.

D. Single Shaft Seals

Protect motor

E. Pump-Out Vanes

Help keep trash from seal, reduce pressure at seal faces

F. Horizontal Discharge Volute Case

3" flanged.

G. High Efficiency Impeller

Two-vane rounded port, solids handling design.

H. Vertical Discharge Volute Case

Includes support legs. 3" flanged.

A. Cable Entry System

Provides double seal protection. Cable jacket sealed by compression fitting. Individual wires sealed by epoxy potting.

B. Motor Stator

Pressed in shell for optimal alignment and best heat transfer. Oil-filled for continuous lubrication of bearings and seals. Winding insulation is Class F.

High Efficiency Hydraulic Design Cuts Pumping Cost and Extends Life of Fluid End Components.

- Two-vane rounded port impellers handle solids with ease at high operating efficiencies.
- Modified constant velocity volute offers quiet operation, low radial loads over extended portion of performance curve.

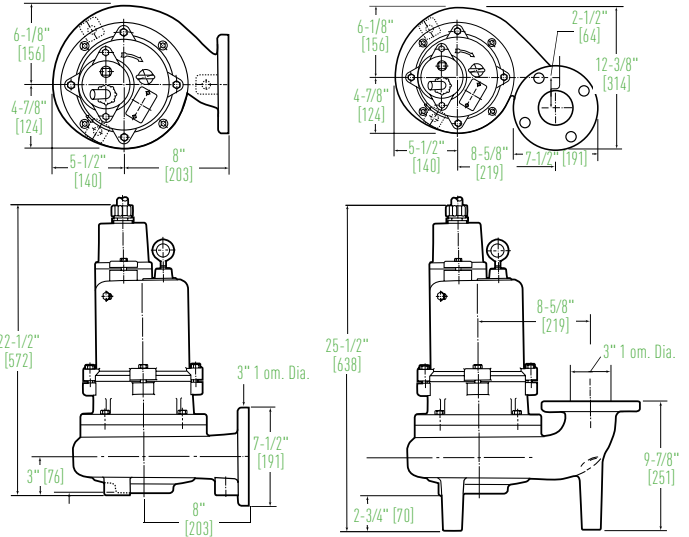
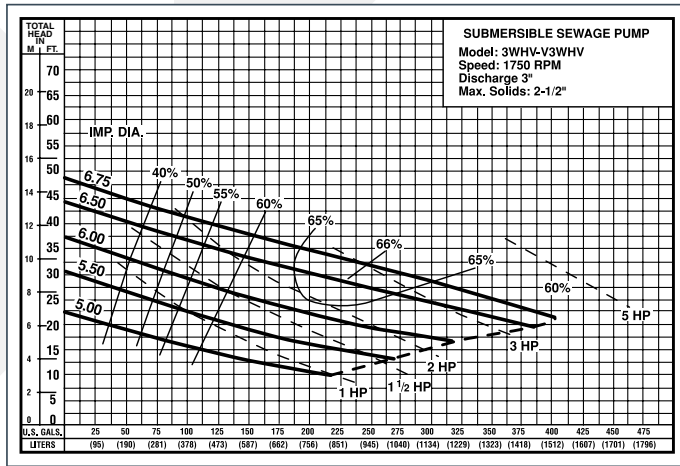
Durable Motor Will Deliver Many Years of Reliable Service.

- Oil-filled motor for maximum heat dissipation and constant bearing lubrication.

Performance Data and Dimensions

[Dimensions in mm]

1750 RPM



Available Models				Motor Electrical Data								
Standard	HP	Volts	Phase	Hertz	Start Amps	Full Load Amps	Service Factor Amps	Full Load kW	Start KVA	Full Load KVA	NEC Code Letter	Service Factor
3WHV10M4-21	1	230	1	60	71	8	10	1.3	16.3	1.8	N	1.2
3WHV10M4-03	1	208	3	60	38	5.4	6.2	1.5	13.7	1.9	N	1.2
3WHV10M4-23	1	230	3	60	34	4.5	5.4	1.5	13.5	1.8	N	1.2
3WHV10M4-43	1	460	3	60	17	2.3	2.7	1.5	13.5	1.8	N	1.2
3WHV10M4-53	1	575	3	60	14	1.8	2.2	1.5	13.9	1.8	N	1.2
3WHV15M4-21	1.5	230	1	60	71	10	12	1.9	16.3	2.3	M	1.2
3WHV15M4-03	1.5	208	3	60	38	6.6	8	2.2	13.7	2.4	L	1.2
3WHV15M4-23	1.5	230	3	60	34	5.5	7	1.8	13.5	2.2	L	1.2
3WHV15M4-43	1.5	460	3	60	17	2.8	3.5	1.8	13.5	2.2	L	1.2
3WHV15M4-53	1.5	575	3	60	18	2.2	2.8	1.8	17.9	2.2	L	1.2
3WHV20M4-21	2	230	1	60	66	12	14.4	2.4	15.2	2.8	J	1.2
3WHV20M4-03	2	208	3	60	49	8.4	9.8	2.3	17.6	3	K	1.2
3WHV20M4-23	2	230	3	60	44	7	7.6	2.2	17.5	2.8	K	1.2
3WHV20M4-43	2	460	3	60	22	3.5	3.8	2.2	17.5	2.8	K	1.2
3WHV20M4-53	2	575	3	60	18	2.8	3.4	2.2	17.9	2.8	K	1.2
3WHV30M4-21	3	230	1	60	98	21	27	4.5	22.5	4.8	J	1.2
3WHV30M4-03	3	208	3	60	51	15	18	4.2	18.4	5.4	G	1.2
3WHV30M4-23	3	230	3	60	46	12	15	4.1	18.3	4.8	G	1.2
3WHV30M4-43	3	460	3	60	23	6	7.5	4.1	18.3	4.8	G	1.2
3WHV30M4-53	3	575	3	60	19	5	6	4.2	18.9	5	H	1.2
3WHV50M4-21	5	230	1	60	108	34	34	6.7	24.8	7.8	E	1.0
3WHV50M4-03	5	208	3	60	106	24	24	7.3	38.1	8.6	J	1.0
3WHV50M4-23	5	230	3	60	96	21	21	7.2	38.2	8.4	J	1.0
3WHV50M4-43	5	460	3	60	48	10.5	10.5	7.2	38.2	8.4	J	1.0
3WHV50M4-53	5	575	3	60	39	8.4	8.4	7.2	38.8	8.4	J	1.0

Motor Efficiencies and Power Factor									
Motor Efficiency %					Power Factor %				
HP	Phase	Service Factor Load	100% Load	75% Load	50% Load	Service Factor Load	100% Load	75% Load	50% Load
1	1	74	72	67	59	85	75	67	56
1	3	70	66	60	51	70	67	61	47
1.5	1	73	74	67	68	86	83	78	67
1.5	3	71	70	65	58	82	79	71	64
2	1	75	76	75	69	90	88	84	75
2	3	71	70	65	58	80	77	71	61
3	1	67	70	68	62	88	88	85	78
3	3	68	71	71	69	87	88	87	82
5	1	66	69	68	61	86	87	84	75
5	3	63	76	76	75	86	85	83	74



1101 MYERS PARKWAY
 ASHLAND, OHIO 44805
 PH: 855-274-8948
 WWW.FEMYERS.COM

490 PINEBUSH ROAD, UNIT 4
 CAMBRIDGE, ONTARIO, CANADA N1T 0A5
 PH: 800-387-4386 ORDERS FAX: 888-606-5484
 WWW.FEMYERS.COM

Because we are continuously improving our products and services, Pentair reserves the right to change specifications without prior notice.
 K3239 09/29/17 © 2017 Pentair plc. All Rights Reserved.