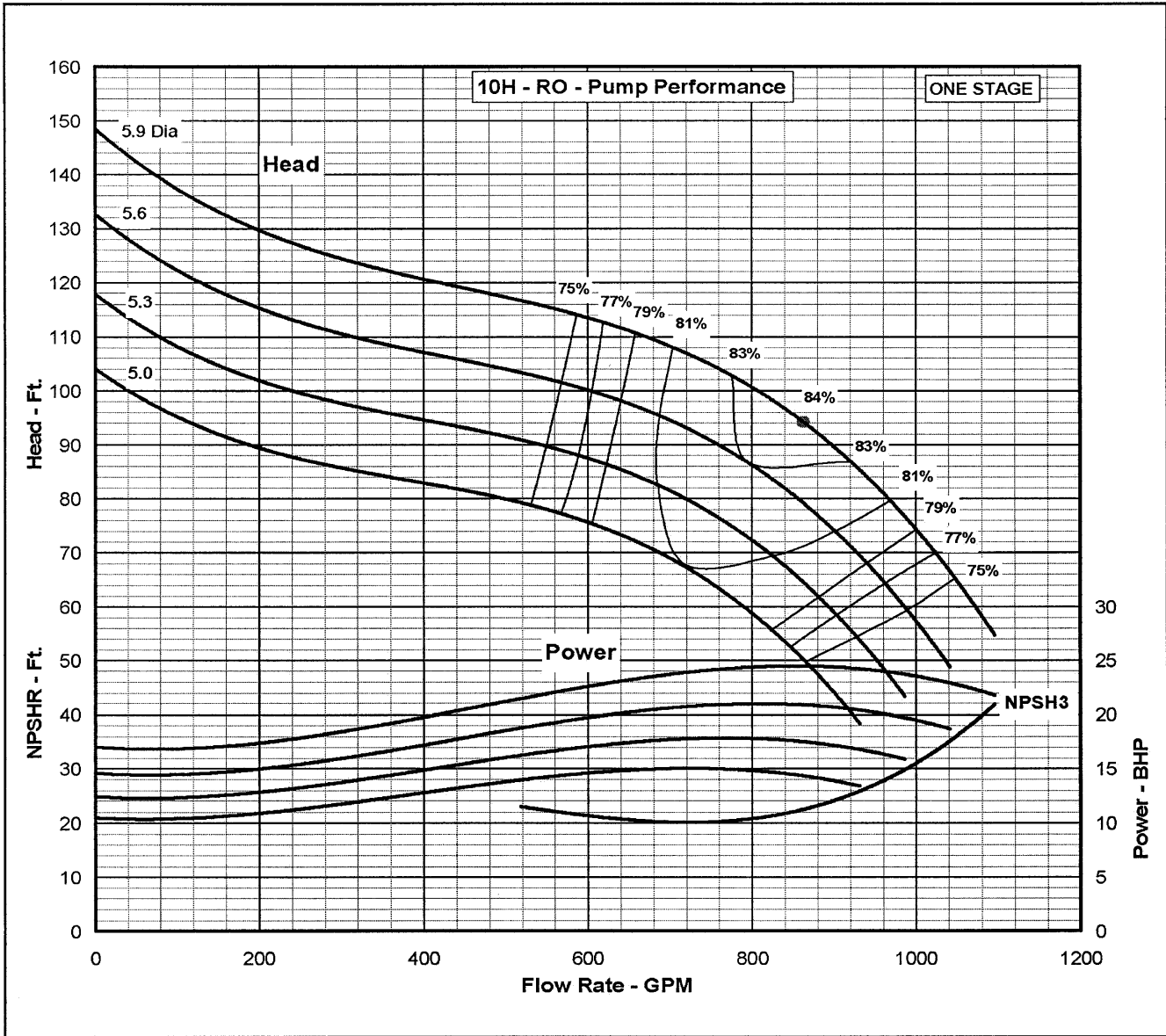
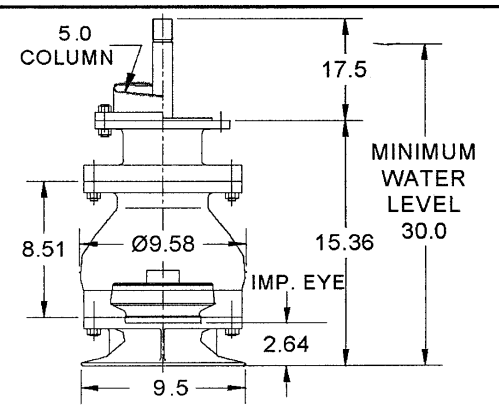

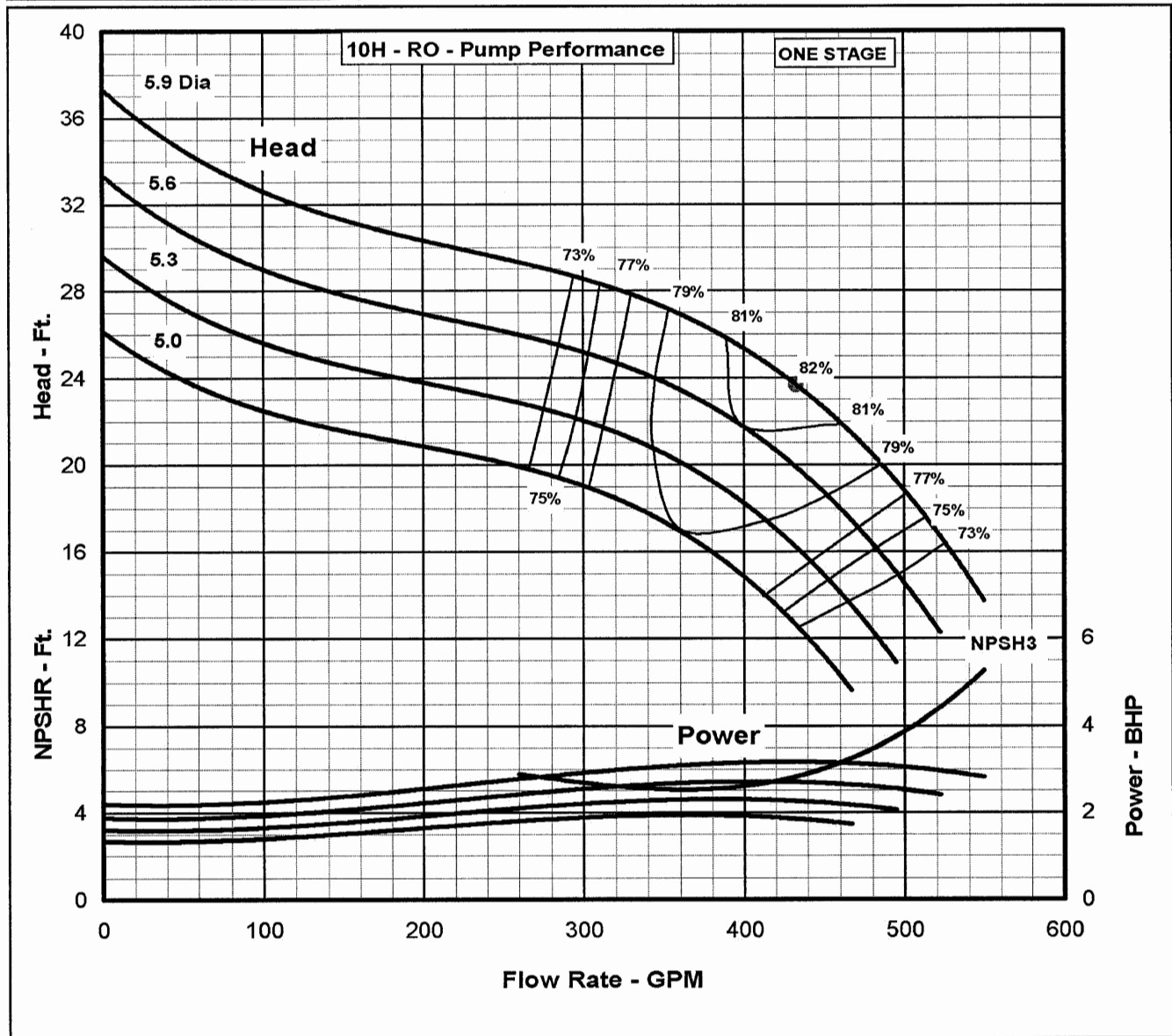
	No Stages	Effcy. Change	Material	Effcy. Change	10H RO 3550 RPM SINGLE STAGE LAB PERFORMANCE WITH STANDARD MATERIALS. EFFICIENCY SHOWN FOR TWO OR MORE STAGES. HORSE POWER SHOWN FOR ONE STAGE BASED ON (1) STAGE EFFICIENCY. CORRECTIONS SHOULD BE MADE FOR STAGES AND MATERIAL.
	1	-2	Imp - BRZ	0	
	2	-1	Imp - St. Stl.	-1	
	3	0	Bowl - D.I.	0	
			Bowl -St. Stl.	-1	



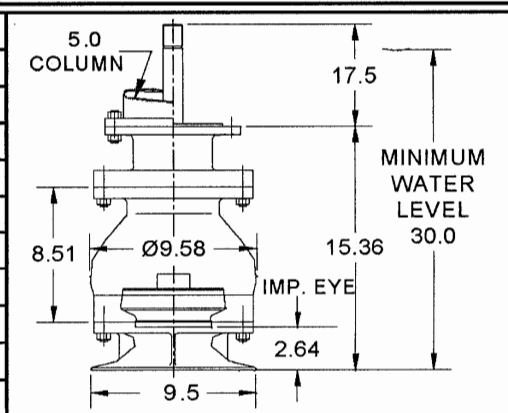
Maximum Operating Speed - RPM	3550	Thrust Factor - Kt	4.5
Pump Shaft Diameter - Inches	1.187	WR ² - Lb-ft ²	0.10
Bowl Weight, 1st Stage -Lbs	85	Running Position (above seat)-In.	0.133
Bowl Weight, Ea. Add. Stage -Lbs	62	Max. Bowl Brg. Clearance (Dia.) -In.	0.014
Maximum Working Pressure -psi	364	Max. Wear Ring. Clearance (Dia.) -In.	0.020
Maximum Hydro Pressure -psi	546	Submergence - Inches	30.0
Impeller Eye Area - Sq.-In.	10.5	Max. Bowl O.D. - Inches	9.6
Impeller Symbol	T7DA92A	Suction Bell O.D. - Inches	9.5
Maximum Sphere Size - In.	0.75	Max. Number of Stages	6
Rotor Weight 1st /Add Stage - Lbs	6	Add Additional Length per Stage	8.5
Discharge - Inches	5	All Dimensions are in Inches	




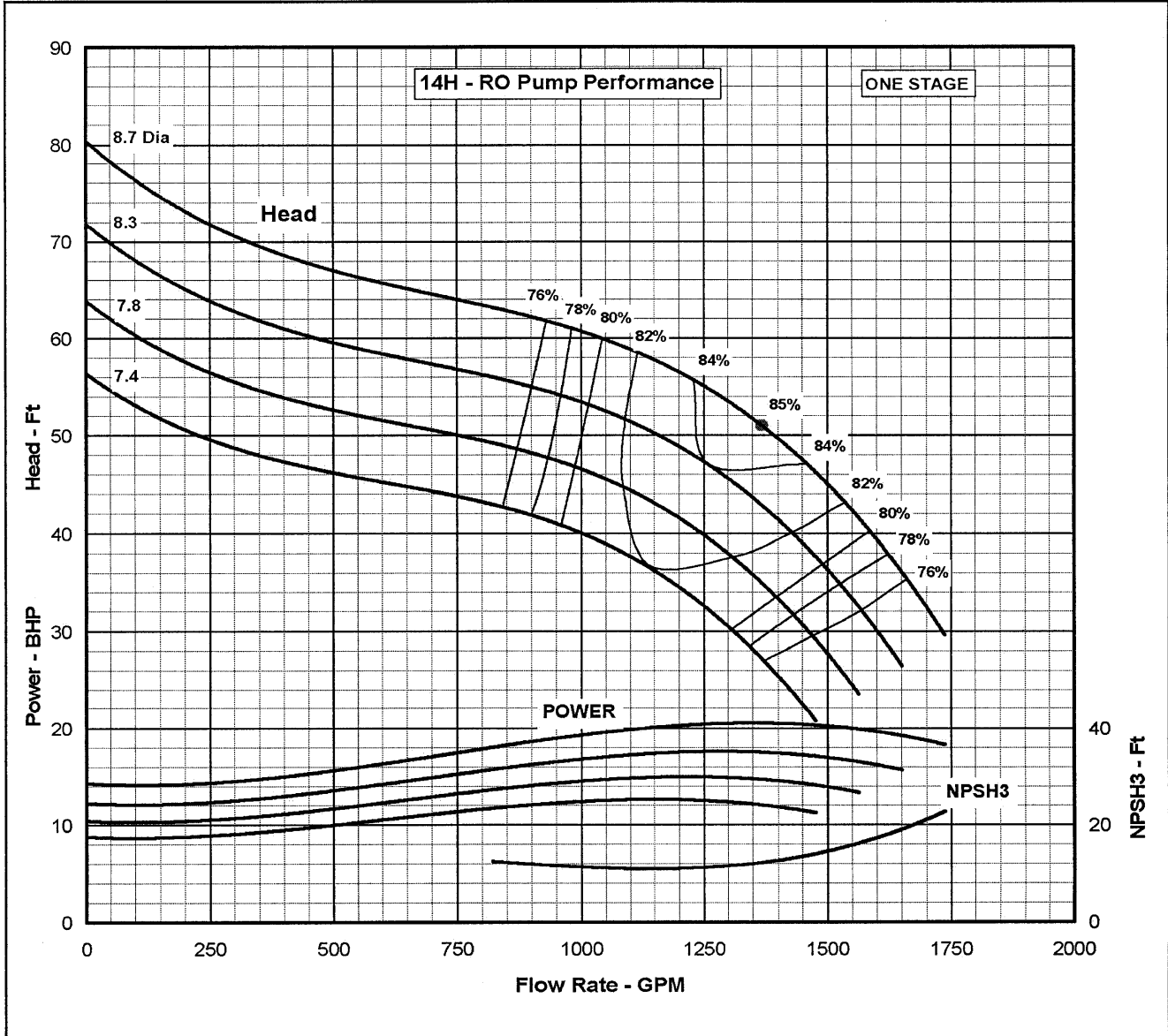
	No Stages	Eficy. Change	Material	Eficy. Change	10H RO 1780 RPM SINGLE STAGE LAB PERFORMANCE WITH STANDARD MATERIALS. EFFICIENCY SHOWN FOR TWO OR MORE STAGES. HORSE POWER SHOWN FOR ONE STAGE BASED ON (1) STAGE EFFICIENCY. CORRECTIONS SHOULD BE MADE FOR STAGES AND MATERIAL.
	1	-2	Imp - BRZ	0	
	2	-1	Imp - St. Stl.	-1	
	3	0	Bowl - D.I.	0	
			Bowl -St. Stl.	-1	



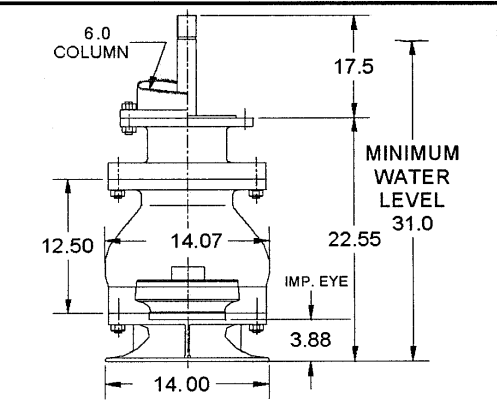
Maximum Operating Speed - RPM	3550	Thrust Factor - Kt	4.5
Pump Shaft Diameter - Inches	1.187	WR ² - Lb-ft ²	0.10
Bowl Weight, 1st Stage -Lbs	85	Running Position (above seat)-In.	0.133
Bowl Weight, Ea. Add. Stage -Lbs	62	Max. Bowl Brg. Clearance (Dia.) -In.	0.014
Maximum Working Pressure -psi	364	Max. Wear Ring. Clearance (Dia.) -In.	0.020
Maximum Hydro Pressure -psi	546	Submergence - Inches	30.0
Impeller Eye Area - Sq.-In.	10.5	Max. Bowl O.D. - Inches	9.6
Impeller Symbol	T7DA92A	Suction Bell O.D. - Inches	9.5
Maximum Sphere Size - In.	0.75	Max. Number of Stages	6
Rotor Weight 1st /Add Stage - Lbs	6	Add Additional Length per Stage	8.5
Discharge - Inches	5	All Dimensions are in Inches	




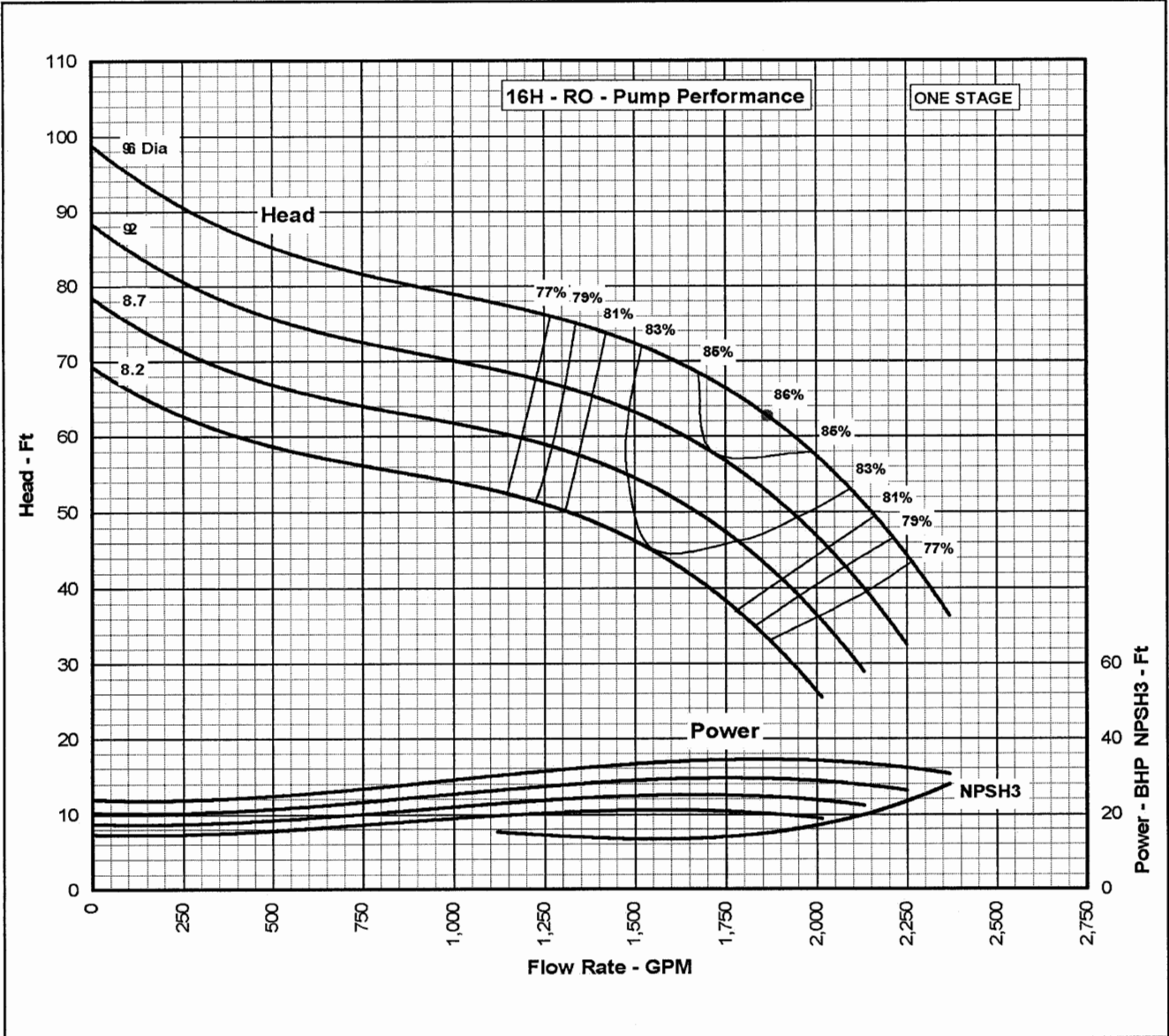
	No Stages	Effcy. Change	Material	Effcy. Change	14H RO	1780 RPM
	1	-2	Imp - BRZ	0		
	2	-1	Imp - St. Stl.	-1	SINGLE STAGE LAB PERFORMANCE WITH STANDARD MATERIALS. EFFICIENCY SHOWN FOR TWO OR MORE STAGES. HORSE POWER SHOWN FOR ONE STAGE BASED ON (1) STAGE EFFICIENCY. CORRECTIONS SHOULD BE MADE FOR STAGES AND MATERIAL.	
	3	0	Bowl - D.I.	0		
		Bowl - St. Stl.	-1			



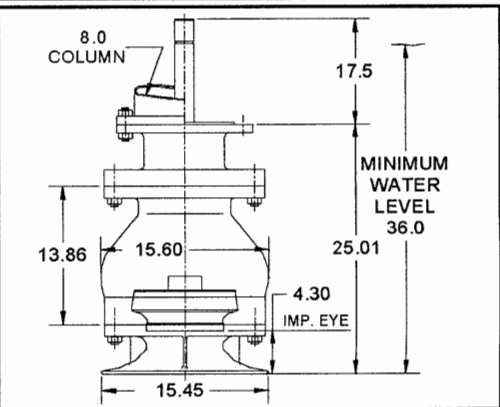
Maximum Operating Speed - RPM	1780	Thrust Factor - Kt	9.8
Pump Shaft Diameter - Inches	1.688	WR ² - Lb-ft ²	0.80
Bowl Weight, 1st Stage -Lbs	244	Running Position (above seat)-In.	0.133
Bowl Weight, Ea. Add. Stage -Lbs	177	Max. Bowl Brg. Clearance (Dia.) -In.	0.016
Maximum Working Pressure -psi	364	Max. Wear Ring. Clearance (Dia.) -In.	0.022
Maximum Hydro Pressure -psi	546	Submergence - Inches	31.0
Impeller Eye Area - Sq.-In.	23.1	Max. Bowl O.D. - Inches	14.1
Impeller Symbol	T7FA92A	Suction Bell O.D. - Inches	14.0
Maximum Sphere Size - In.	1.14	Max. Number of Stages	11
Rotor Weight 1st/Add Stage - Lbs	16	Add Additional Length per Stage	12.5
Discharge - Inches	6	All Dimensions are in Inches	




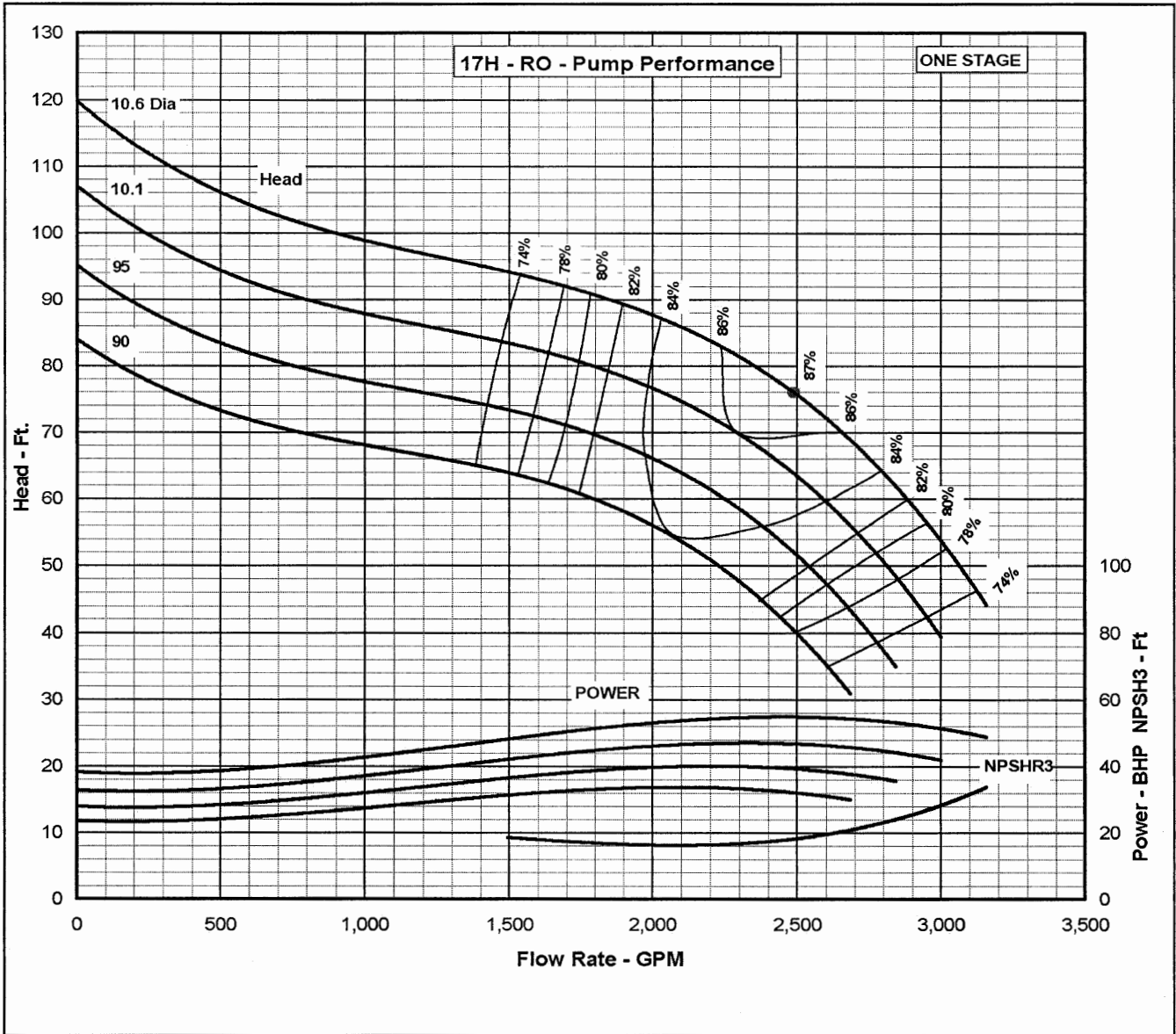
	No Stages	Effcy. Change	Material	Effcy. Change	16H RO 1780 RPM SINGLE STAGE LAB PERFORMANCE WITH STANDARD MATERIALS. EFFICIENCY SHOWN FOR TWO OR MORE STAGES. HORSE POWER SHOWN FOR ONE STAGE BASED ON (1) STAGE EFFICIENCY. CORRECTIONS SHOULD BE MADE FOR STAGES AND MATERIAL.
	1	-2	Imp - BRZ	0	
	2	-1	Imp - St. Stl.	-1	
	3	0	Bowl - D.I.	0	
			Bowl - St. Stl.	-1	



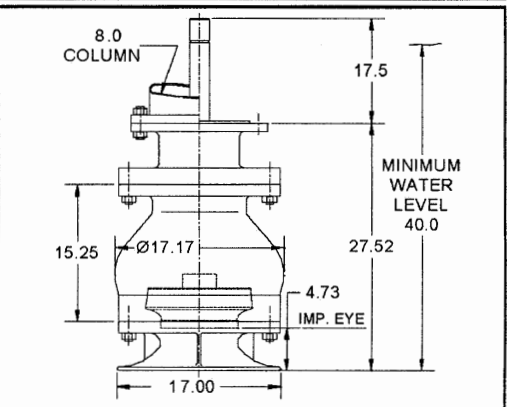
Maximum Operating Speed - RPM	1780	Thrust Factor - Kt	12
Pump Shaft Diameter - Inches	1.938	WR ² - Lb-ft ²	1.30
Bowl Weight, 1st Stage -Lbs	328	Running Position (above seat)-In.	0.133
Bowl Weight, Ea. Add. Stage -Lbs	237	Max. Bowl Brg. Clearance (Dia.) -In.	0.016
Maximum Working Pressure -psi	364	Max. Wear Ring. Clearance (Dia.) -In.	0.022
Maximum Hydro Pressure -psi	546	Submergence - Inches	36.0
Impeller Eye Area - Sq.-In.	28.21	Max. Bowl O.D. - Inches	15.6
Impeller Symbol	T7HA92A	Suction Bell O.D. - Inches	15.5
Maximum Sphere Size - In.	1.22	Max. Number of Stages	9
Rotor Weight 1st /Add Stage - Lbs	22	Add Additional Length per Stage	13.86
Discharge - Inches	8	All Dimensions are in Inches	




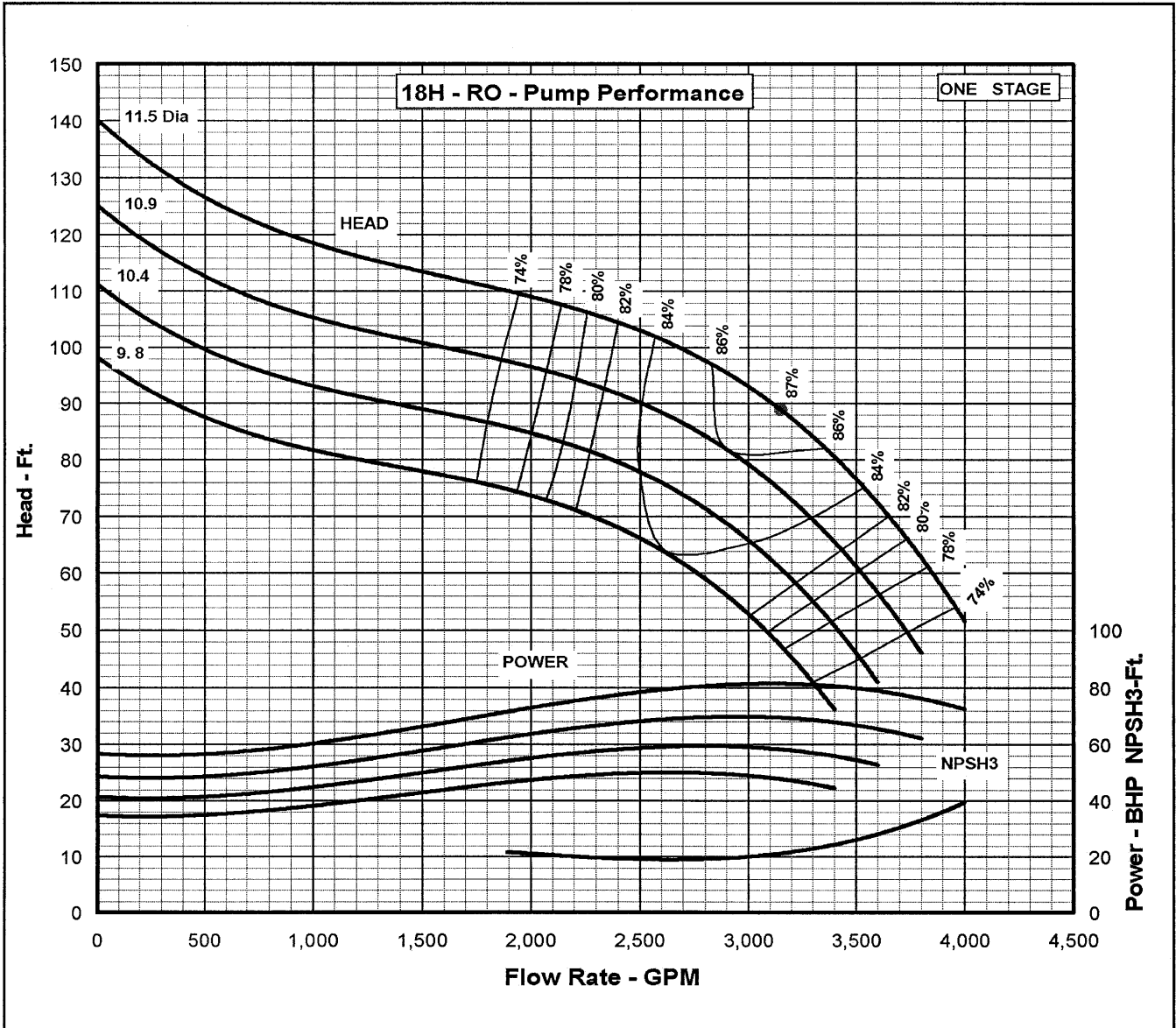
	No Stages	Effcy. Change	Material	Effcy. Change	17H RO 1780 RPM SINGLE STAGE LAB PERFORMANCE WITH STANDARD MATERIALS. EFFICIENCY SHOWN FOR TWO OR MORE STAGES. HORSE POWER SHOWN FOR ONE STAGE BASED ON (1) STAGE EFFICIENCY. CORRECTIONS SHOULD BE MADE FOR STAGES AND MATERIAL.
	1	-2	Imp - BRZ	0	
	2	-1	Imp - St. Stl.	-1	
	3	0	Bowl - D.I.	0	
			Bowl - St. Stl.	-1	



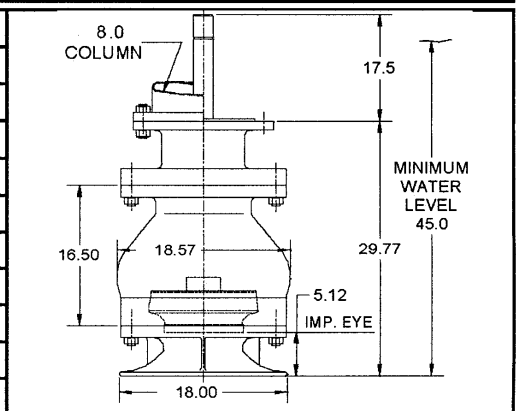
Maximum Operating Speed - RPM	1780	Thrust Factor - Kt	14.5
Pump Shaft Diameter - Inches	2.187	WR ² - Lb-ft ²	2.10
Bowl Weight, 1st Stage -Lbs	425	Running Position (above seat)-In.	0.133
Bowl Weight, Ea. Add. Stage -Lbs	307	Max. Bowl Brg. Clearance (Dia.) -In.	0.016
Maximum Working Pressure -psi	364	Max. Wear Ring. Clearance (Dia.) -In.	0.022
Maximum Hydro Pressure -psi	546	Submergence - Inches	40.0
Impeller Eye Area - Sq.-In.	34.5	Max. Bowl O.D. - Inches	17.2
Impeller Symbol	T7HKA92H	Suction Bell O.D. - Inches	17.00
Maximum Sphere Size - In.	1.34	Max. Number of Stages	7
Rotor Weight 1st /Add Stage - Lbs	28	Add Additional Length per Stage	15.25
Discharge - Inches	8	All Dimensions are in Inches	



	No Stages	Effcy. Change	Material	Effcy. Change	18H RO 1780 RPM SINGLE STAGE LAB PERFORMANCE WITH STANDARD MATERIALS. EFFICIENCY SHOWN FOR TWO OR MORE STAGES. HORSE POWER SHOWN FOR ONE STAGE BASED ON (1) STAGE EFFICIENCY. CORRECTIONS SHOULD BE MADE FOR STAGES AND MATERIAL.
	1	-2	Imp - BRZ	0	
	2	-1	Imp - St. Stl.	-1	
	3	0	Bowl - D.I.	0	
			Bowl - St. Stl.	-1	



Maximum Operating Speed - RPM	1780	Thrust Factor - Kt	17.2
Pump Shaft Diameter - Inches	2.187	WR ² - Lb-ft ²	3.00
Bowl Weight, 1st Stage -Lbs	525	Running Position (above seat)-In.	0.133
Bowl Weight, Ea. Add. Stage -Lbs	380	Max. Bowl Brg. Clearance (Dia.) -In.	0.016
Maximum Working Pressure -psi	364	Max. Wear Ring. Clearance (Dia.) -In.	0.024
Maximum Hydro Pressure -psi	546	Submergence - Inches	45.0
Impeller Eye Area - Sq.-In.	40.4	Max. Bowl O.D. - Inches	18.57
Impeller Symbol	T7KA92A	Suction Bell O.D. - Inches	18.0
Maximum Sphere Size - In.	1.45	Max. Number of Stages	6
Rotor Weight 1st /Add Stage - Lbs	35	Add Additional Length per Stage	16.5
Discharge - Inches	10	All Dimensions are in Inches	



THIS PAGE LEFT BLANK INTENTIONALLY