

MODEL 933				
PUMP SIZE	D03	E03	F03	G03
RELIEF VALVE SIZE	1/2 (13)	1/2 (13)	1/2 (13)	1/2 (13)

NOTES

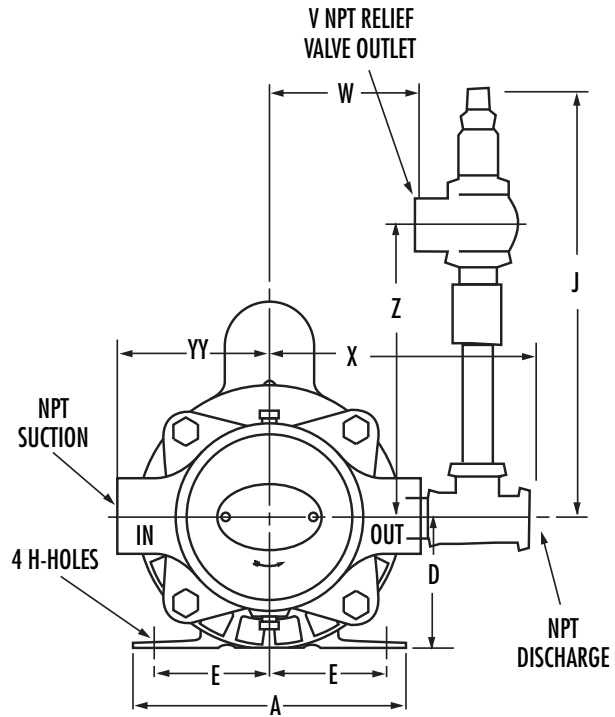
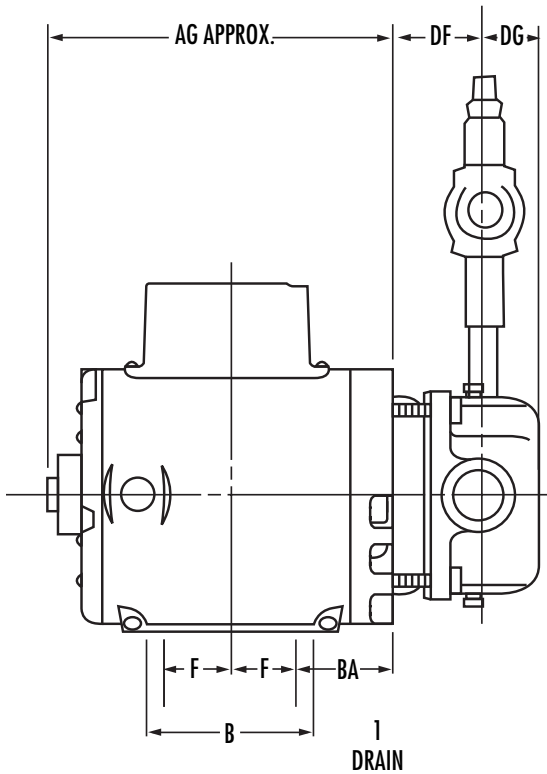
1. All dimensions are in inches (mm).
2. Dimensions may vary $\pm 1/4"$ (6).
3. Not for construction purposes unless certified.
4. Capacitor when furnished normally appears on top of motor.
Dimensions are not specified as they vary with each motor manufacturer.
5. Motor frame 56

Section **932** Page **202** ■ **FAIRBANKS MODEL 934 & 935 PUMPS**

Date **July 2013**

Supersedes Section 932 Page 202

Dated November 2005



MODEL	SUCTION	DISCH.	DF	DG
934	1	1	2 (51)	1-11/16 (43)
935	2	1-1/2	2-1/4 (57)	2-1/4 (57)

MODEL	V	J	YY	W	X	Z
934	1/2 (13)	10-15/16 (278)	3-3/4 (95)	3-3/16 (81)	6-3/8 (162)	7-3/4 (197)
	1-1/4 (32)	12-1/8 (308)		3-1/4 (83)	7-1/8 (181)	7-1/2 (191)
935	1/2 (13)	11-1/4 (286)	4-1/2 (114)	4-5/16 (110)	7-5/8 (194)	8-1/16 (205)
	3/4 (19)	13-3/16 (335)		4-7/16 (113)	7-7/8 (200)	10 (254)
	1-1/4 (32)	12-3/8 (314)		4-7/16 (113)	8-1/2 (216)	7-3/4 (197)

FRAME	A	B	D	E	F	H	AG	BA
56	6-3/4 (171)	4 (102)	3-1/2 (89)	2-7/16 (43)	1-1/2 (38)	11/32 SLOT (8)	11 (279)	2-9/16 (65)
145T	7 (178)	6 (152)	3-1/2 (89)	2-3/4 (57)	2-1/2 (64)	11/32 SLOT (8)	11 (279)	2-7/8 (73)
182T	9 (229)	6-1/2 (165)	4-1/4 (108)	3-3/4 (95)	2-1/4 (57)	13/32 (10)	11 (279)	3-5/8 (92)
184T	9 (229)	7-1/2 (191)	4-1/2 (114)	3-3/4 (95)	2-3/4 (70)	13/32 (10)	12 (305)	3-5/8 (92)
213T	9-1/2 (241)	8 (203)	5-1/4 (133)	4-1/4 (108)	2-3/4 (70)	7/16 (11)	14 (356)	4-1/2 (114)

PUMP	MODEL	935						
	SIZE	D04	F05	G05	H05	I05	J05	K05
	934							

HP	RPM	FRAME
1-1/2 to 2	3500	56
1-1/2 to 2	1750	56
3	3500	145T
5	3500	182T
7-1/2	3500	184T
10	3500	213T

GPM	PSI	RELIEF VALVE SIZE
2.5	45 - 100	1/2
	135 - 215	1/2
5	45 - 130	1/2
	135 - 210	1/2
7.5	45 - 130	1/2
	135 - 210	1/2
10	45 - 130	1/2
	135 - 205	1/2
15	45 - 130	1/2
	135 - 170	1/2
20	70 - 130	1/2
	135 - 155	1/2
25	80 - 130	3/4
	135	3/4
30	105 - 155	3/4
35	105 - 155	3/4
40	105 - 155	1
45	105 - 155	1

NOTES

1. All dimensions are in inches (mm).
2. Dimensions may vary ± 1/4" (6).
3. Not for construction purposes unless certified.
4. Capacitor when furnished normally appears on top of motor. Dimensions are not specified as they vary with each motor manufacturer.

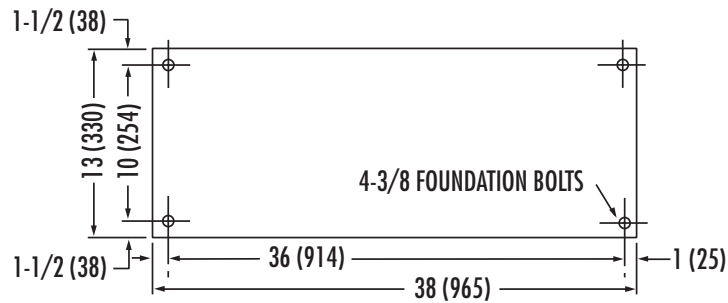
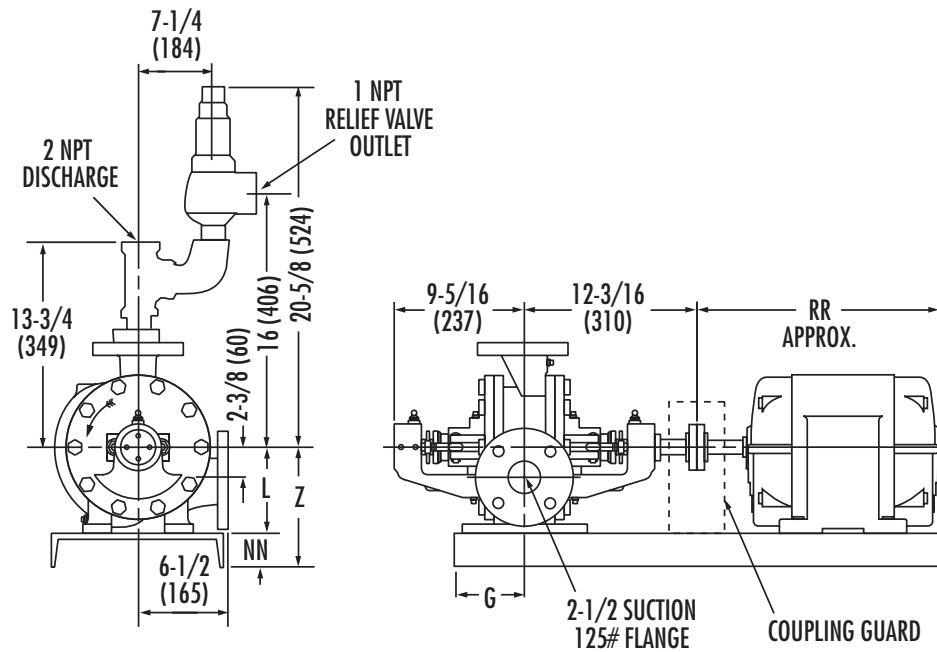
FAIRBANKS NIJHUIS™ TWO STAGE JOCKEY PUMP

Section **932** Page **251**

Date **March 2014**

Supersedes Section 932 Page 251

Dated July 2013



PUMP MODEL	E6T	F6T
RELIEF VALVE SIZE	1	1

HP	RPM	FRAME	G	L	Z	NN	RR
10	1750	215T	6-1/2 (165)	6-1/4 (159)	10-1/4 (260)	4 (102)	18 (457)
15	1750	254T	5 (127)	6-1/4 (159)	10-1/4 (260)	4 (102)	21 (533)

NOTES

1. All dimensions are in inches (mm).
2. Dimensions may vary $\pm 1/4"$ (6).
3. Not for construction purposes unless certified.
4. Coupling gap may vary $1/8"$ to $1"$.
5. Flange in accordance with 125# American std.
6. Conduit box is located on the opposite side of the motor shown.
Dimensions are not specified as they vary with each motor manufacturer.

THIS PAGE LEFT INTENTIONALLY BLANK

CURVE INFORMATION FOR JOCKEY PUMPS

AVAILABLE ON WEB SITE

WWW.FMPUMP.COM

JOCKEY PUMPS	LOCATION FOR CURVES
933, 934, 935	<ul style="list-style-type: none"> •Products (tab) <ul style="list-style-type: none"> •Regenerative Turbine <ul style="list-style-type: none"> •130 Series <ul style="list-style-type: none"> •133 Performance Curves <ul style="list-style-type: none"> E03, F03, G03, B04, D04, F05 G05, H05, I05, J05, K05

CURVE INFORMATION, SELECTION TABLES AND DIMENSION DATA FOR

PVM JOCKEY PUMPS

AVAILABLE ON WEB SITE

WWW.FMPUMP.COM

JOCKEY PUMPS PVM	LOCATION
	<ul style="list-style-type: none"> •Products (tab) <ul style="list-style-type: none"> •Multi Stage Vertical Inline Pump- Series PVM • Series PVM

THIS PAGE LEFT INTENTIONALLY BLANK

FAIRBANKS FIRE PUMPS

JOCKEY PUMP SELECTIONS

MODELS 933 & 934

Section **932** Page **393**

Date **July 2013**

Supersedes Section 932 Page 393

Dated April 2006

2.5 GPM

HEAD		UNIT NUMBER	CONTROL NO.	NET WGT.	PUMP SIZE	RELIEF VALVE SIZE	RPM	MOTOR FRAME SIZE	HP
PSI	TDH								
45	104	FJP-104-2.5	X900101	70	D03	1/2"	3500	56	1/2
50	115.5	FJP-115.5-2.5	X900102						
55	127	FJP-127-2.5	X900103						
60	138.5	FJP-138.5-2.5	X900104						
65	150	FJP-150-2.5	X900105						
70	162	FJP-162-2.5	X900406	70	B04	1/2"	3500	56	1/2
75	173	FJP-173-2.5	X900407						
80	185	FJP-185-2.5	X900408						
85	196	FJP-196-2.5	X900409						
90	208	FJP-208-2.5	X900110	75	E03	1/2"	3500	56	1
95	219	FJP-219-2.5	X900111						
100	231	FJP-231-2.5	X900112						

FAIRBANKS FIRE PUMPS

JOCKEY PUMP SELECTIONS

MODELS 933, 934 & 935

5 GPM

HEAD		UNIT NUMBER	CONTROL NO.	NET WGT.	PUMP SIZE	RELIEF VALVE SIZE	RPM	MOTOR FRAME SIZE	HP
PSI	TDH								
45	104	FJP-104-5	X900113	70	G05	1/2"	1750	56	3/4
50	115.5	FJP-115.5-5	X900114						
55	127	FJP-127-5	X900115						
60	138.5	FJP-138.5-5	X900116	70	E03	1/2"	3500	56	3/4
65	150	FJP-150-5	X900117						
70	162	FJP-162-5	X900118						
75	173	FJP-173-5	X900119						
80	185	FJP-185-5	X900120	75	H05	1/2"	1750	56	1
85	196	FJP-196-5	X900121	85	I05	1/2"	1750	56	1-1/2"
90	208	FJP-208-5	X900122						
95	219	FJP-219-5	X900123						
100	231	FJP-231-5	X900124	85	G03	1/2"	3500	56	1-1/2
105	242	FJP-242-5	X900125						
110	254	FJP-254-5	X900126	90	D04	1/2"	3500	56	1-1/2
115	265	FJP-265-5	X900127						
120	277	FJP-277-5	X900128						
125	289	FJP-289-5	X900129						
130	300	FJP-300-5	X900130						
135	312	FJP-312-5	X900131						
140	323	FJP-323-5	X900132						
145	335	FJP-335-5	X900133						
150	346	FJP-346-5	X900134						
155	358	FJP-358-5	X900135						
160	369	FJP-369-5	X900136	115	F05	1/2"	3500	145T	3
165	381	FJP-381-5	X900137						
170	392	FJP-392-5	X900138						
175	404	FJP-404-5	X900139						
180	415	FJP-415-5	X900140						
185	427	FJP-427-5	X900141						
190	439	FJP-439-5	X900142						
195	450	FJP-450-5	X900143						
200	462	FJP-462-5	X900144						
205	473	FJP-473-5	X900145						
210	485	FJP-485-5	X900146						
215	497	FJP-497-5	X900147						

FAIRBANKS FIRE PUMPS

JOCKEY PUMP SELECTIONS

MODELS 933, 934 & 935

Section **932** Page **395**

Date **July 2013**

Supersedes Section 932 Page 395

Dated April 2006

7.5 GPM

HEAD		UNIT NUMBER	CONTROL NO.	NET WGT.	PUMP SIZE	RELIEF VALVE SIZE	RPM	MOTOR FRAME SIZE	HP
PSI	TDH								
45	104	FJP-104-7.5	X900148	75	F03	1/2"	3500	56	3/4
50	115.5	FJP-115.5-7.5	X900149						
55	127	FJP-127-7.5	X900150	85	G03	1/2"	3500	56	1
60	138.5	FJP-138.5-7.5	X900151						
65	150	FJP-150-7.5	X900152						
70	162	FJP-162-7.5	X900153	85	G03	1/2"	3500	56	1-1/2
75	173	FJP-173-7.5	X900154						
80	185	FJP-185-7.5	X900155						
85	196	FJP-196-7.5	X900156						
90	208	FJP-208-7.5	X900157	80	D04	1/2"	3500	56	1
95	219	FJP-219-7.5	X900158						
100	231	FJP-231-7.5	X900159						
105	242	FJP-242-7.5	X900160	85	D04	1/2"	3500	56	1-1/2
110	254	FJP-254-7.5	X900161						
115	265	FJP-265-7.5	X900162						
120	277	FJP-277-7.5	X900163						
125	289	FJP-289-7.5	X900164						
130	300	FJP-300-7.5	X900165	115	F05	1/2"	3500	56	2
135	312	FJP-312-7.5	X900166						
140	323	FJP-323-7.5	X900167						
145	335	FJP-335-7.5	X900168						
150	346	FJP-346-7.5	X900169						
155	358	FJP-358-7.5	X900170						
160	369	FJP-369-7.5	X900171						
165	381	FJP-381-7.5	X900172						
170	392	FJP-392-7.5	X900173	115	F05	1/2"	3500	145T	3
175	404	FJP-404-7.5	X900174						
180	415	FJP-415-7.5	X900175						
185	427	FJP-427-7.5	X900176						
190	439	FJP-439-7.5	X900177						
195	450	FJP-450-7.5	X900178						
200	462	FJP-462-7.5	X900179						
205	473	FJP-473-7.5	X900180	140	G05	1/2"	3500	182T	5
210	485	FJP-485-7.5	X900181						

FAIRBANKS FIRE PUMPS

JOCKEY PUMP SELECTIONS

MODEL 934 & 935

10 GPM

HEAD		UNIT NUMBER	CONTROL NO.	NET WGT.	PUMP SIZE	RELIEF VALVE SIZE	RPM	MOTOR FRAME SIZE	HP
PSI	TDH								
45	104	FJP-104-10	X900182	70	D04	1/2"	3500	56	3/4
50	115.5	FJP-115.5-10	X900183						
55	127	FJP-127-10	X900184						
60	138.5	FJP-138.5-10	X900185						
65	150	FJP-150-10	X900186						
70	162	FJP-162-10	X900187	75	D04	1/2"	3500	56	1
75	173	FJP-173-10	X900188						
80	185	FJP-185-10	X900189						
85	196	FJP-196-10	X900190						
90	208	FJP-208-10	X900191	115	F05	1/2"	3500	56	2
95	219	FJP-219-10	X900192						
100	231	FJP-231-10	X900193						
105	242	FJP-242-10	X900194						
110	254	FJP-254-10	X900195						
115	265	FJP-265-10	X900196						
120	277	FJP-277-10	X900197						
125	289	FJP-289-10	X900198						
130	300	FJP-300-10	X900199						
135	312	FJP-312-10	X900200						
140	323	FJP-323-10	X900201	140	G05	1/2"	3500	182T	5
145	335	FJP-335-10	X900202						
150	346	FJP-346-10	X900203						
155	358	FJP-358-10	X900204						
160	369	FJP-369-10	X900205						
165	381	FJP-381-10	X900206						
170	392	FJP-392-10	X900207						
175	404	FJP-404-10	X900208						
180	415	FJP-415-10	X900209						
185	427	FJP-427-10	X900210						
190	439	FJP-439-10	X900211						
195	450	FJP-450-10	X900212						
200	462	FJP-462-10	X900213						
205	473	FJP-473-10	X900214						

FAIRBANKS FIRE PUMPS

JOCKEY PUMP SELECTIONS

MODEL 935

Section **932** Page **397**

Date **July 2013**

Supersedes Section 932 Page 397

Dated April 2006

15 GPM

HEAD		UNIT NUMBER	CONTROL NO.	NET WGT.	PUMP SIZE	RELIEF VALVE SIZE	RPM	MOTOR FRAME SIZE	HP
PSI	TDH								
45	104	FJP-104-15	X900215	115	G05	1/2"	3500	145T	3
50	115.5	FJP-115.5-15	X900216						
55	127	FJP-127-15	X900217						
60	138.5	FJP-138.5-15	X900218						
65	150	FJP-150-15	X900219						
70	162	FJP-162-15	X900220						
75	173	FJP-173-15	X900221						
80	185	FJP-185-15	X900222						
85	196	FJP-196-15	X900223						
90	208	FJP-208-15	X900224						
95	219	FJP-219-15	X900225						
100	231	FJP-231-15	X900226						
105	242	FJP-242-15	X900227						
110	254	FJP-254-15	X900228						
115	265	FJP-265-15	X900229						
120	277	FJP-277-15	X900230	140	G05	1/2"	3500	182T	5
125	289	FJP-289-15	X900231						
130	300	FJP-300-15	X900232						
135	312	FJP-312-15	X900233						
140	323	FJP-323-15	X900234						
145	335	FJP-335-15	X900235	140	H05	1/2"	3500	182T	5
150	346	FJP-346-15	X900236						
155	358	FJP-358-15	X900237						
160	369	FJP-369-15	X900238						
165	381	FJP-381-15	X900239						
170	392	FJP-392-15	X900240						

FAIRBANKS FIRE PUMPS

JOCKEY PUMP SELECTIONS

MODELS 935

20 GPM

HEAD		UNIT NUMBER	CONTROL NO.	NET WGT.	PUMP SIZE	RELIEF VALVE SIZE	RPM	MOTOR FRAME SIZE	HP
PSI	TDH								
70	162	FJP-162-20	X900241	115	H05	1/2"	3500	145T	3
75	173	FJP-173-20	X900242						
80	185	FJP-185-20	X900243						
85	196	FJP-196-20	X900244						
90	208	FJP-208-20	X900245						
95	219	FJP-219-20	X900246						
100	231	FJP-231-20	X900247						
105	242	FJP-242-20	X900248						
110	254	FJP-254-20	X900249	140	H05	1/2"	3500	182T	5
115	265	FJP-265-20	X900250						
120	277	FJP-277-20	X900251						
125	289	FJP-289-20	X900252						
130	300	FJP-300-20	X900253						
135	312	FJP-312-20	X900254						
140	323	FJP-323-20	X900255	140	I05	1/2"	3500	182T	5
145	335	FJP-335-20	X900256						
150	346	FJP-346-20	X900257						
155	358	FJP-358-20	X900258						

25 GPM

HEAD		UNIT NUMBER	CONTROL NO.	NET WGT.	PUMP SIZE	RELIEF VALVE SIZE	RPM	MOTOR FRAME SIZE	HP
PSI	TDH								
80	185	FJP-185-25	X900259	140	I05	3/4"	3500	182T	5
85	196	FJP-196-25	X900260						
90	208	FJP-208-25	X900261						
95	219	FJP-219-25	X900262						
100	231	FJP-231-25	X900263						
105	242	FJP-242-25	X900264						
110	254	FJP-254-25	X900265						
115	265	FJP-265-25	X900266						
120	277	FJP-277-25	X900267						
125	289	FJP-289-25	X900268						
130	300	FJP-300-25	X900269						
135	312	FJP-312-25	X900270						

FAIRBANKS FIRE PUMPS

JOCKEY PUMP SELECTIONS

MODELS 935

Section **932** Page **399**

Date **July 2013**

Supersedes Section 932 Page 399

Dated April 2006

30 GPM

HEAD		UNIT NUMBER	CONTROL NO.	NET WGT.	PUMP SIZE	RELIEF VALVE SIZE	RPM	MOTOR FRAME SIZE	HP
PSI	TDH								
105	242	FJP-242-30	X900271	140	J05	3/4"	3500	182T	5
110	254	FJP-254-30	X900272						
115	265	FJP-265-30	X900273	170	J05	3/4"	3500	184T	7-1/2
120	277	FJP-277-30	X900274						
125	289	FJP-289-30	X900275						
130	300	FJP-300-30	X900276						
135	312	FJP-312-30	X900277						
140	323	FJP-323-30	X900278						
145	335	FJP-355-30	X900279						
150	346	FJP-346-30	X900280						
155	358	FJP-358-30	X900281						

35 GPM

HEAD		UNIT NUMBER	CONTROL NO.	NET WGT.	PUMP SIZE	RELIEF VALVE SIZE	RPM	MOTOR FRAME SIZE	HP
PSI	TDH								
105	242	FJP-242-35	X900282	140	J05	3/4"	3500	182T	5
110	254	FJP-254-35	X900283						
115	265	FJP-265-35	X900284	170	J05	3/4"	3500	184T	7-1/2
120	277	FJP-277-35	X900285						
125	289	FJP-289-35	X900286						
130	300	FJP-300-35	X900287	250	K05	3/4"	3500	213T	10
135	312	FJP-312-35	X900288						
140	323	FJP-323-35	X900289						
145	335	FJP-355-35	X900290						
150	346	FJP-346-35	X900291						
155	358	FJP-358-35	X900292						

FAIRBANKS FIRE PUMPS

JOCKEY PUMP SELECTIONS

MODELS 935 & 936

40 GPM

HEAD		UNIT NUMBER	CONTROL NO.	NET WGT.	PUMP SIZE	RELIEF VALVE SIZE	RPM	MOTOR FRAME SIZE	HP
PSI	TDH								
105	242	FJP-242-40	X900293	250	K05	1"	3500	213T	10
110	254	FJP-254-40	X900294						
115	265	FJP-265-40	X900295						
120	277	FJP-277-40	X900296						
125	289	FJP-289-40	X900297						
130	300	FJP-300-40	X900298						
135	312	FJP-312-40	X900299						
140	323	FJP-323-40	X900300						
145	335	FJP-355-40	X900301						
150	346	FJP-346-40	X900302						
155	358	FJP-358-40	X900303						

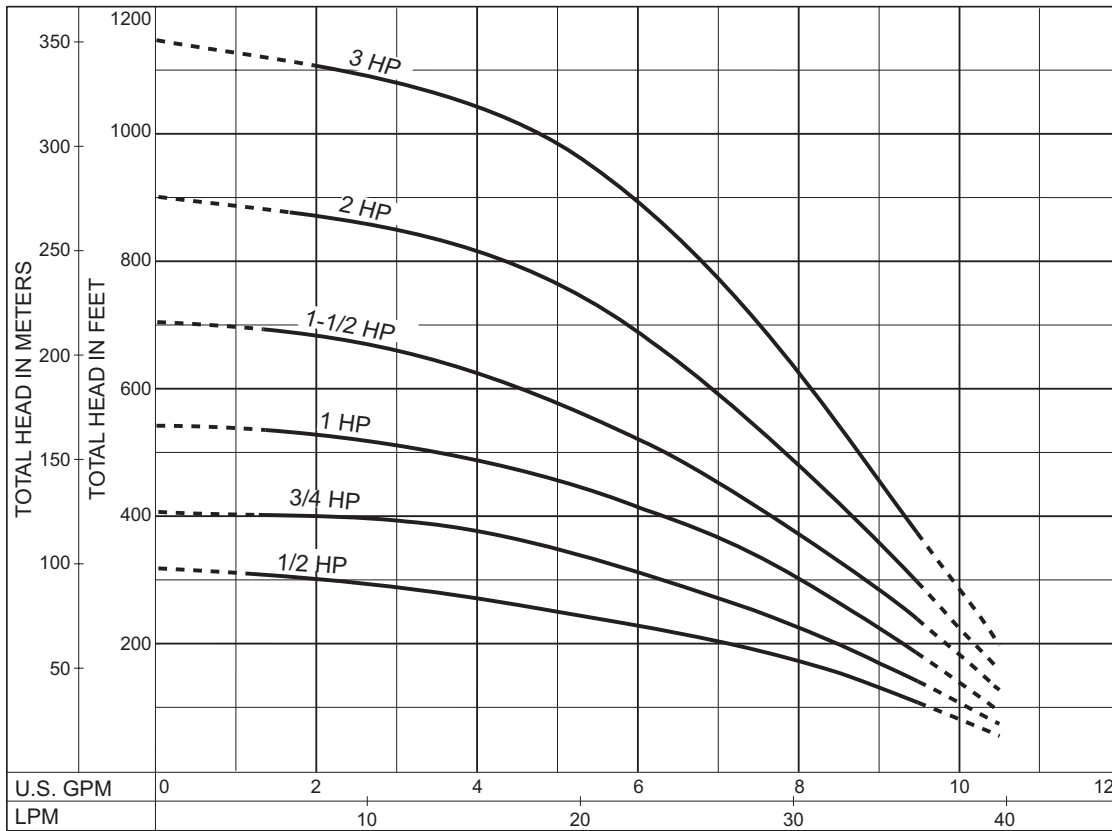
45 GPM

HEAD		UNIT NUMBER	CONTROL NO.	NET WGT.	PUMP SIZE	RELIEF VALVE SIZE	RPM	MOTOR FRAME SIZE	HP
PSI	TDH								
105	242	FJP-242-45	X900324	430	E6T	1"	1750	215T	10
110	254	FJP-254-45	X900325						
115	265	FJP-265-45	X900326						
120	277	FJP-277-45	X900327	430	F6T	1"	1750	215T	10
125	289	FJP-289-45	X900328						
130	300	FJP-300-45	X900329						
135	312	FJP-312-45	X900330	510	F6T	1"	1750	254T	15
140	323	FJP-323-45	X900331						
145	335	FJP-355-45	X900332						
150	346	FJP-346-45	X900333						
155	358	FJP-358-45	X900334						

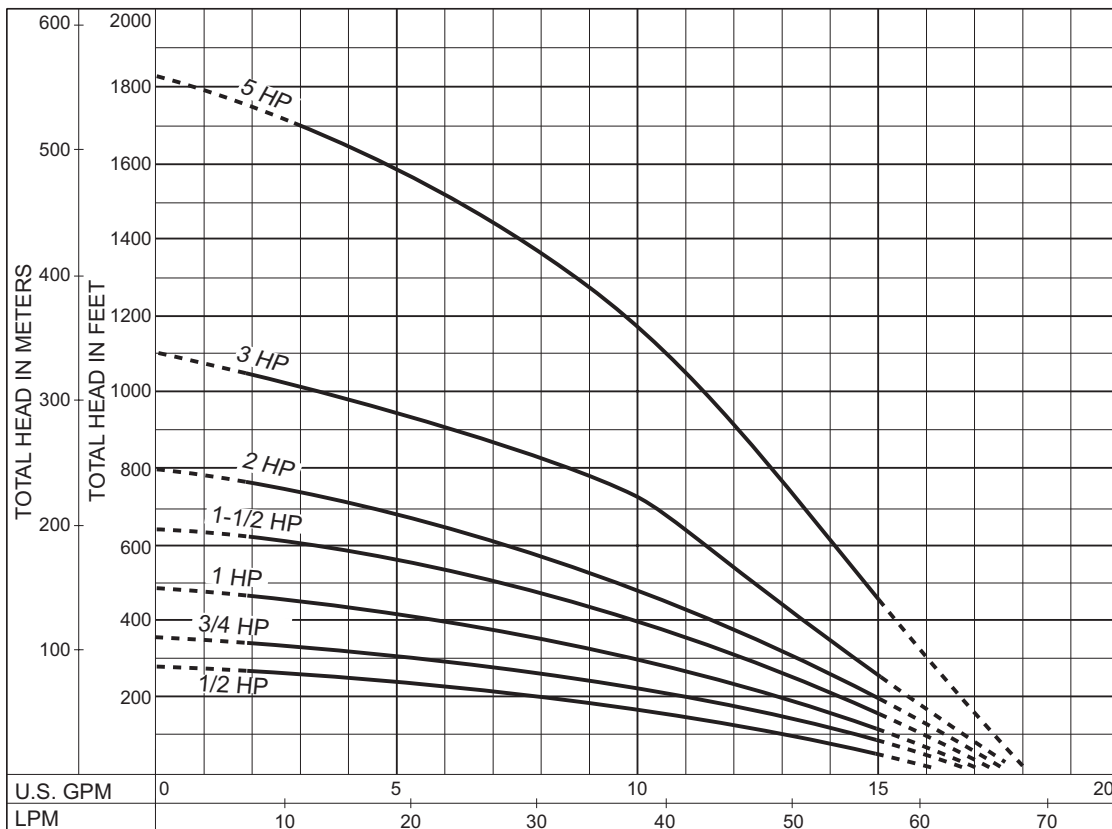
FAIRBANKS MORSE FIRE PUMPS

VERTICAL SUBMERSIBLE TURBINE JOCKEY PUMPS

PUMP PERFORMANCE – 7 GPM



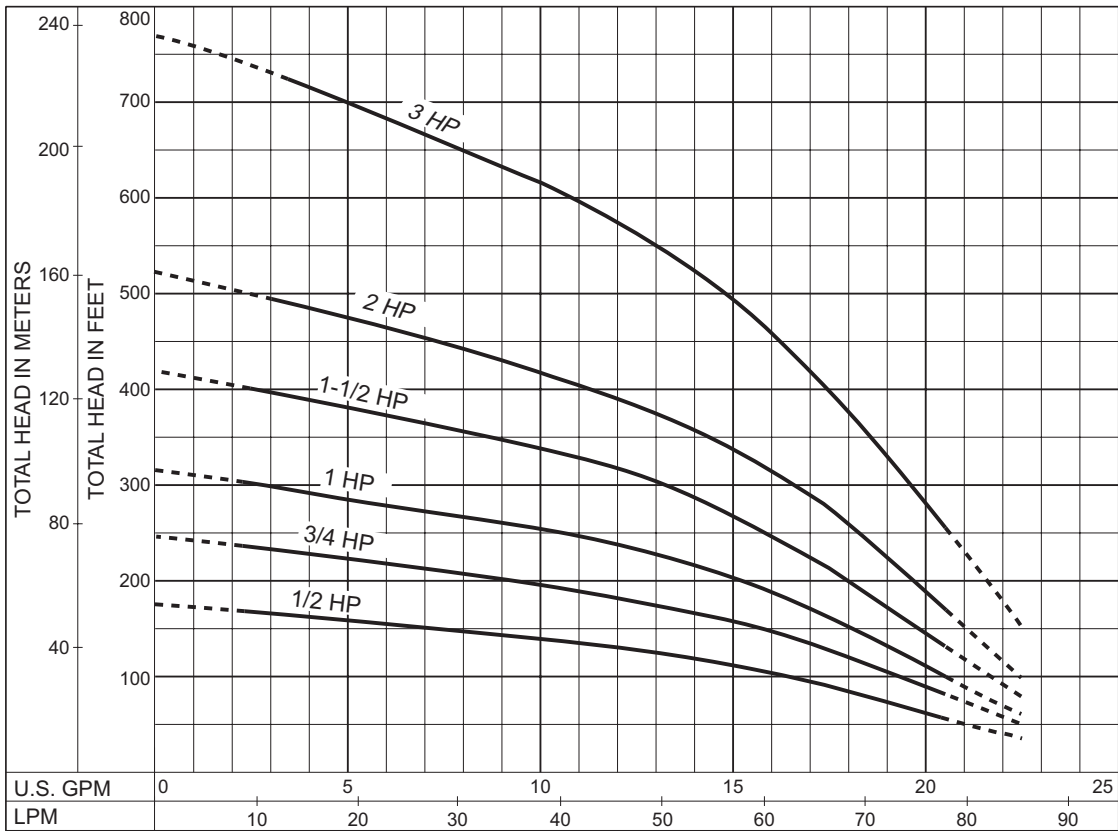
PUMP PERFORMANCE – 10 GPM



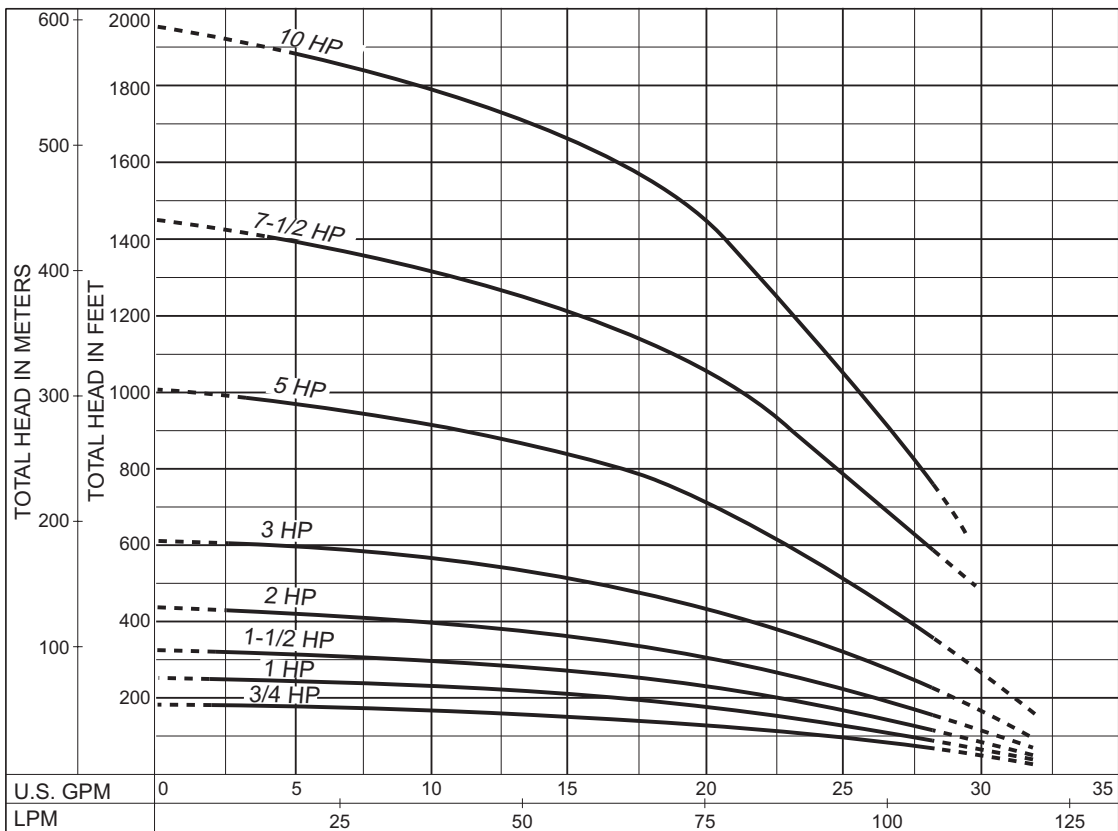
FAIRBANKS MORSE FIRE PUMPS

VERTICAL SUBMERSIBLE TURBINE JOCKEY PUMPS

PUMP PERFORMANCE – 15 GPM



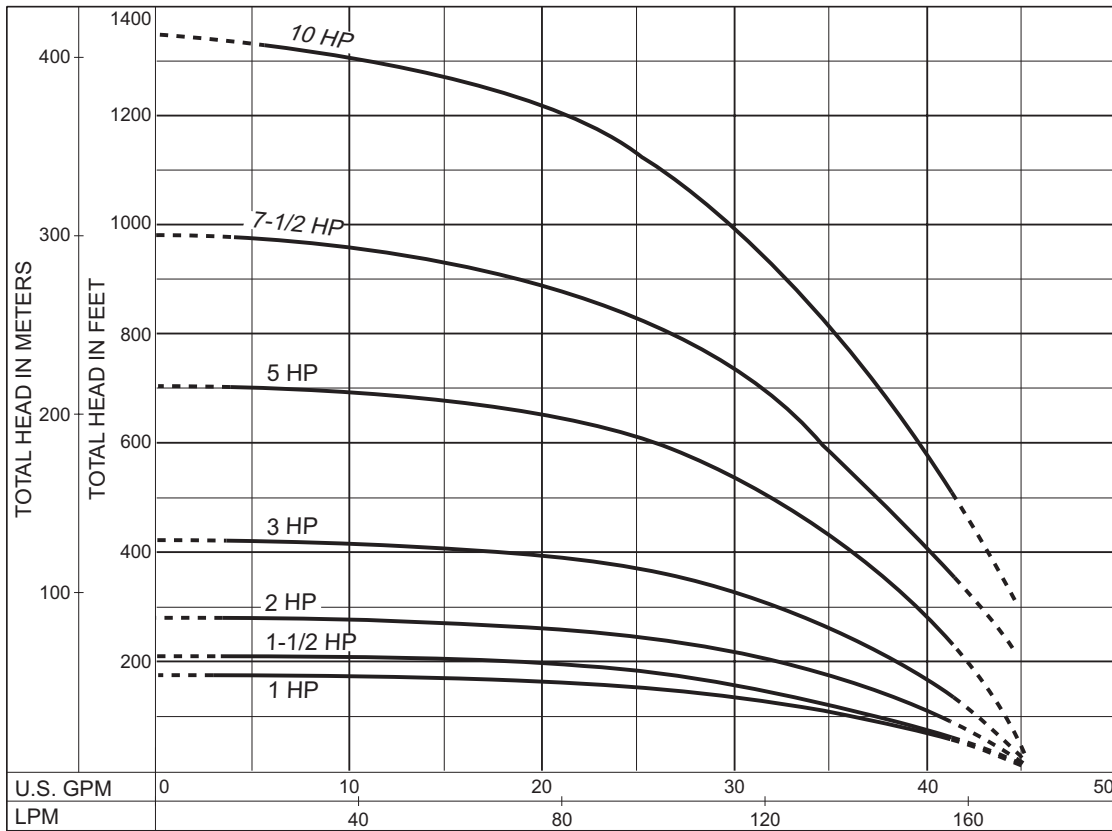
PUMP PERFORMANCE – 20 GPM



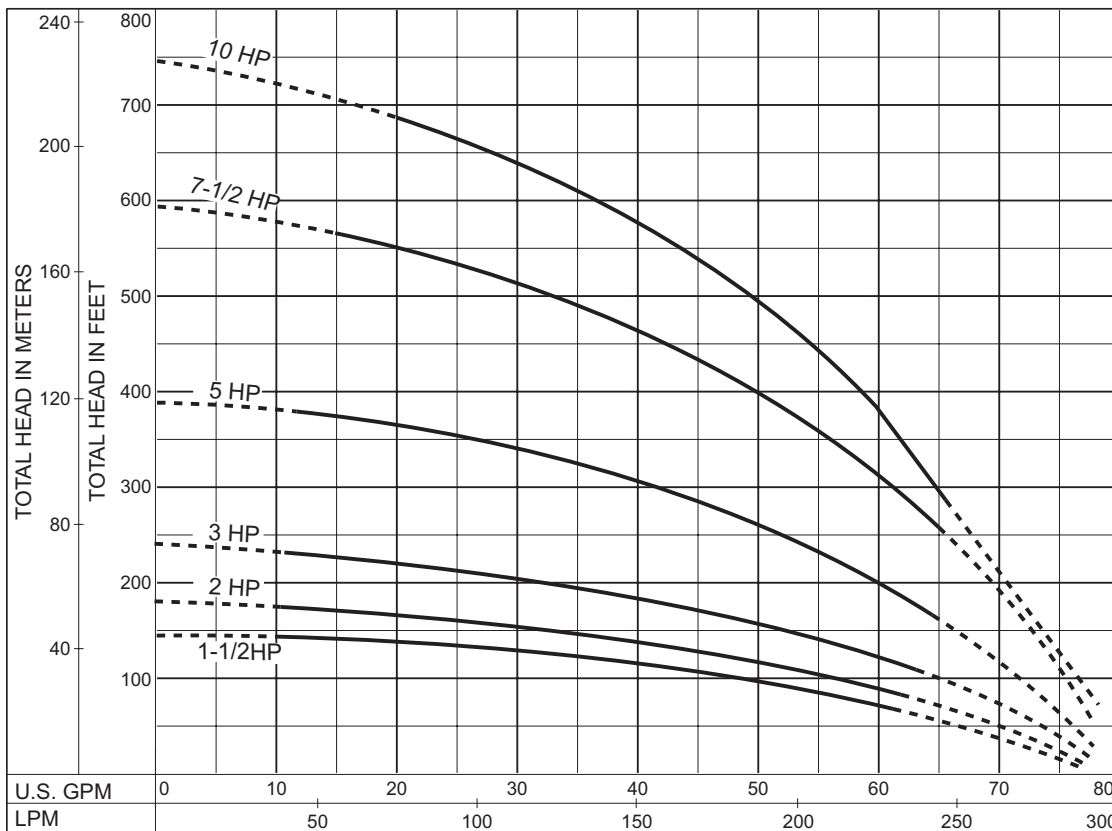
FAIRBANKS MORSE FIRE PUMPS

VERTICAL SUBMERSIBLE TURBINE JOCKEY PUMPS

PUMP PERFORMANCE – 30 GPM



PUMP PERFORMANCE – 50 GPM



FAIRBANKS MORSE FIRE PUMPS

VERTICAL SUBMERSIBLE TURBINE JOCKEY PUMPS

PUMP PERFORMANCE - 70 GPM

