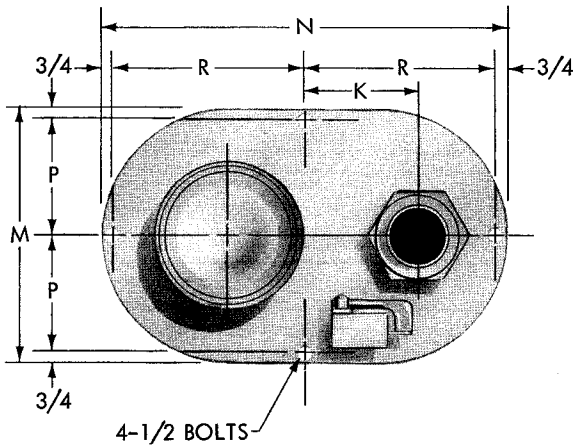
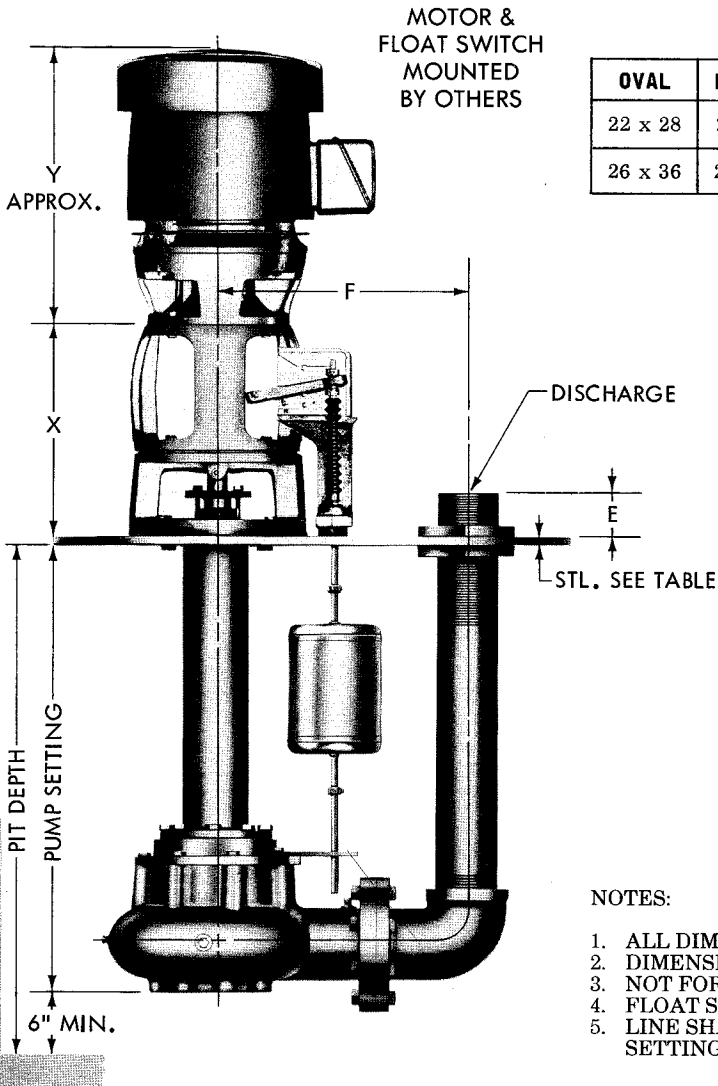


AURORA MODEL 671 PUMP ON OVAL PLATE



PUMP SIZE			E	F	K	OVAL SIZE	STL THK
DISCH	SUCTION	CASE BORE					
3	3	9	6-1/2	14-13/16	9-5/16	22 x 28	1/2
4	4	9	6	16-15/16	8-15/16	26 x 36	1/2
3	3	12	6-1/2	17-13/16	9-13/16	26 x 36	1/2
4	4	12	6	18-15/16	10-15/16	26 x 36	1/2



MOTOR & FLOAT SWITCH MOUNTED BY OTHERS

OVAL	M	N	P	R
22 x 28	22	28	10-1/4	13-1/4
26 x 36	26	36	12-1/4	17-1/4

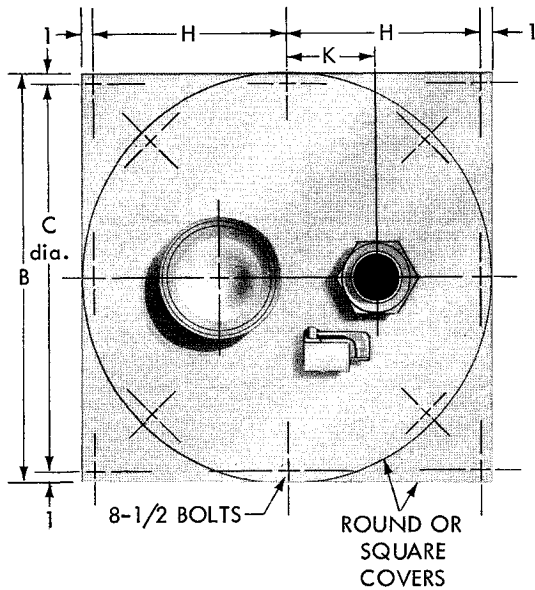
FRAME	X	y
143HP	13-7/8	11
145HP	13-7/8	12
182HP	13-7/8	13
184HP	13-7/8	14
213HP	13-7/8	16
215HP	13-7/8	17
254HP	13-7/8	19
256HP	13-7/8	21
284HPH	15-5/8	21
286HPH	15-5/8	23
324HP	15-5/8	24
326HP	15-5/8	25
364HP	15-5/8	29
365HP	15-5/8	30

NOTES:

1. ALL DIMENSIONS IN INCHES.
2. DIMENSIONS MAY VARY $\pm 3/8"$.
3. NOT FOR CONSTRUCTION PURPOSES UNLESS CERTIFIED.
4. FLOAT SWITCH FURNISHED ONLY WHEN SPECIFIED.
5. LINE SHAFT BEARING FURNISHED ON 6'6" PUMP SETTINGS AND LONGER.

AURORA MODEL 671 PUMP ON SIMPLEX PLATE

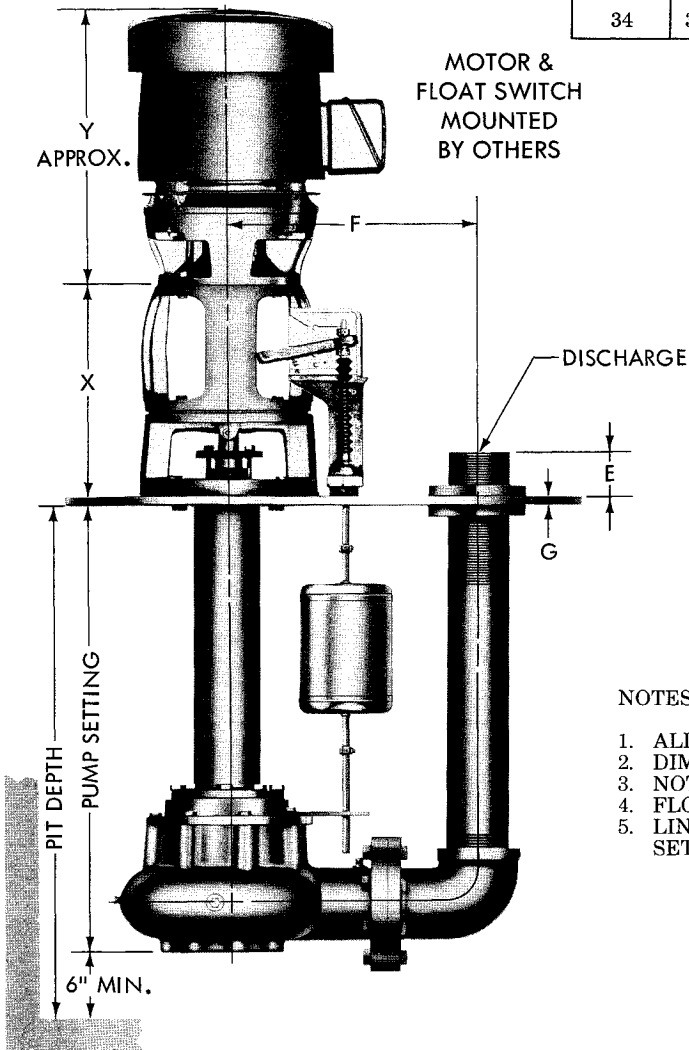
DATED JANUARY 1975



PUMP SIZE			E	F	K	MIN. COVER SIZE
DISCH	SUCTION	CASE BORE				
3	3	9	6-1/2	14-13/16	9-5/16	28
4	4	9	6	16-15/16	8-15/16	34
3	3	12	6-1/2	17-13/16	9-13/16	34
4	4	12	6	18-15/16	10-15/16	34

COVER SIZE B	C	H	G STEEL
28	26	13	1/2
34	32	16	1/2

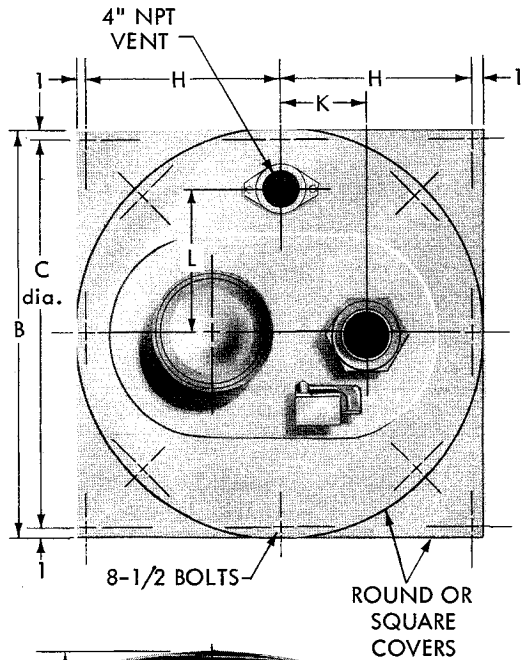
FRAME	X	Y
143HP	13-7/8	11
145HP	13-7/8	12
182HP	13-7/8	13
184HP	13-7/8	14
213HP	13-7/8	16
215HP	13-7/8	17
254HP	13-7/8	19
256HP	13-7/8	21
284HPH	15-5/8	21
286HPH	15-5/8	23
324HP	15-5/8	24
326HP	15-5/8	25
364HP	15-5/8	29
365HP	15-5/8	30



NOTES:

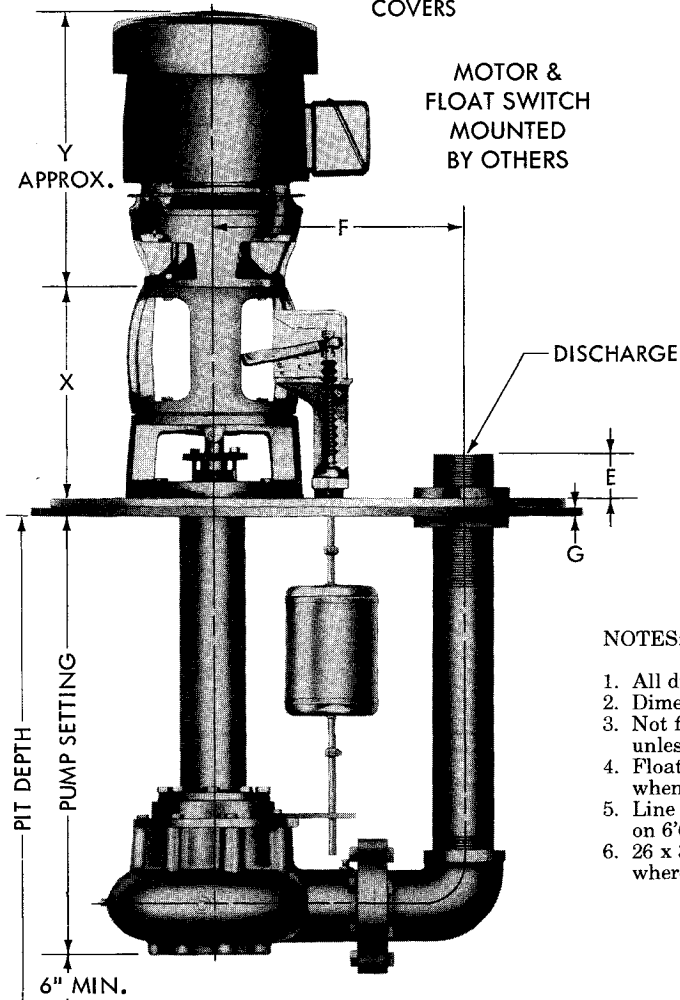
1. ALL DIMENSIONS IN INCHES.
2. DIMENSIONS MAY VARY $\pm 3/8"$.
3. NOT FOR CONSTRUCTION PURPOSES UNLESS CERTIFIED.
4. FLOAT SWITCH FURNISHED ONLY WHEN SPECIFIED.
5. LINE SHAFT BEARING FURNISHED ON 6'6" PUMP SETTINGS AND LONGER.

AURORA MODEL 671 PUMP ON SIMPLEX PLATE WITH OVAL



PUMP SIZE			E	F	K	
DISCH	SUCTION	CASE BORE			22 X 28 OVAL	26 X 36 OVAL
3	3	9	6-1/2	14-13/16	9-5/16	9-5/16
4	4	9	6	16-15/16	N.A.	8-15/16
3	3	12	6-1/2	17-13/16	N.A.	9-13/16
4	4	12	6	18-15/16	N.A.	10-15/16

COVER SIZE B	C	H	G	L
			STEEL	
46	44	22	1/2	16
53	51	25-1/2	1/2	17-3/4
60	58	29	5/8	19-1/2
66	64	32	5/8	21
78	76	38	3/4	24

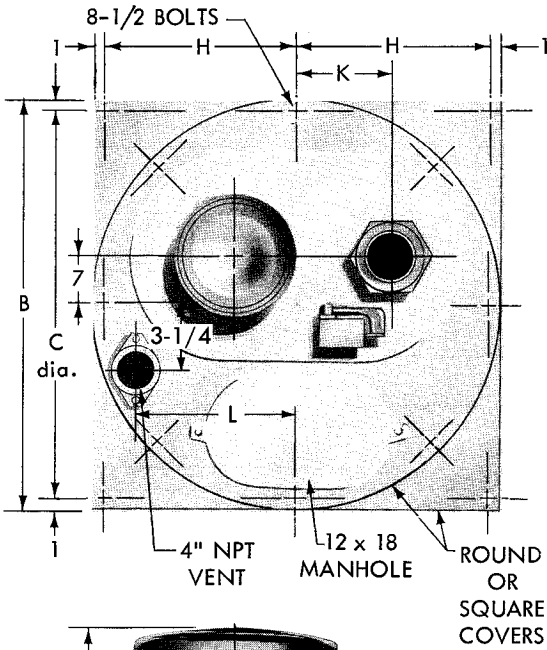


FRAME	X	Y
143HP	13-7/8	11
145HP	13-7/8	12
182HP	13-7/8	13
184HP	13-7/8	14
213HP	13-7/8	16
215HP	13-7/8	17
254HP	13-7/8	19
256HP	13-7/8	21
284HPH	15-5/8	21
286HPH	15-5/8	23
324HP	15-5/8	24
326HP	15-5/8	25
364HP	15-5/8	29
365HP	15-5/8	30

NOTES:

1. All dimensions in inches.
2. Dimensions may vary $\pm 3/8"$.
3. Not for construction purposes unless certified.
4. Float switch furnished only when specified.
5. Line shaft bearing furnished on 6'6" pump settings and longer.
6. 26 x 36 ovals are also available where 22 x 28 ovals are shown.

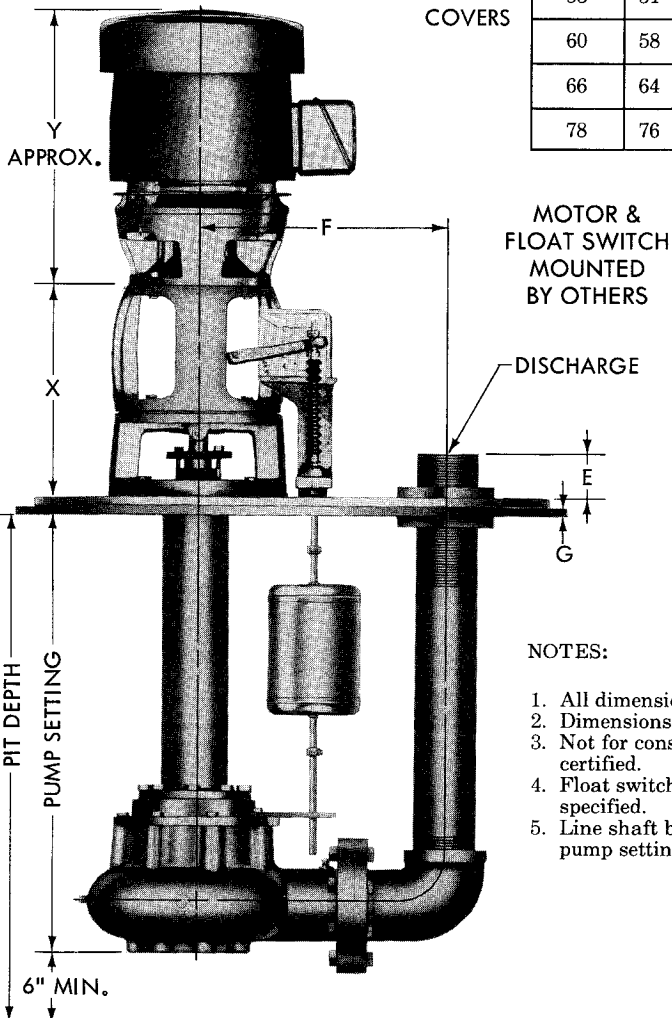
AURORA MODEL 671 PUMP ON SIMPLEX PLATE WITH OVAL AND MANHOLE



PUMP SIZE			E	F	K	OVAL SIZE	MIN. COVER SIZE
DISCH	SUCTION	CASE BORE					
3	3	9	6-1/2	14-13/16	9-5/16	26 x 36	46
4	4	9	6	16-15/16	8-15/16	26 x 36	46
3	3	12	6-1/2	17-13/16	9-13/16	26 x 36	46
4	4	12	6	18-15/16	10-15/16	26 x 36	46

COVER SIZE B	C	H	G	L
			STEEL	
46	44	22	1/2	17
53	51	25-1/2	1/2	18-3/4
60	58	29	5/8	20-1/2
66	64	32	5/8	22
78	76	38	3/4	25

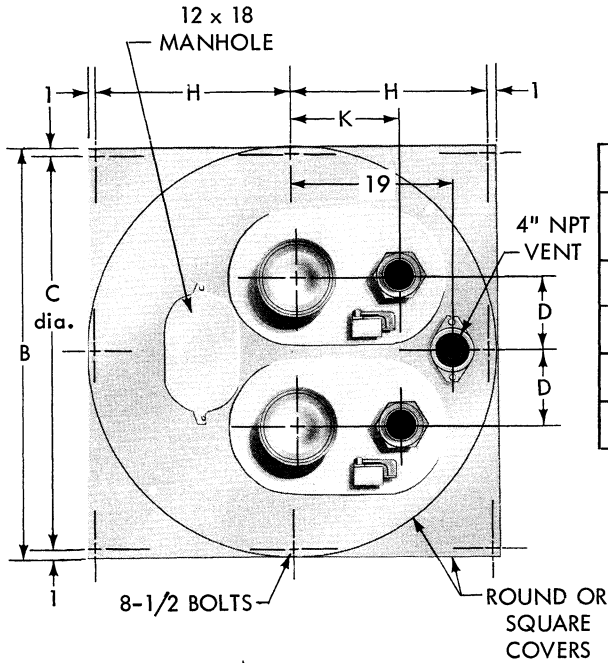
FRAME	X	Y
143HP	13-7/8	11
145HP	13-7/8	12
182HP	13-7/8	13
184HP	13-7/8	14
213HP	13-7/8	16
215HP	13-7/8	17
254HP	13-7/8	19
256HP	13-7/8	21
284HPH	15-5/8	21
286HPH	15-5/8	23
324HP	15-5/8	24
326HP	15-5/8	25
364HP	15-5/8	29
365HP	15-5/8	30



NOTES:

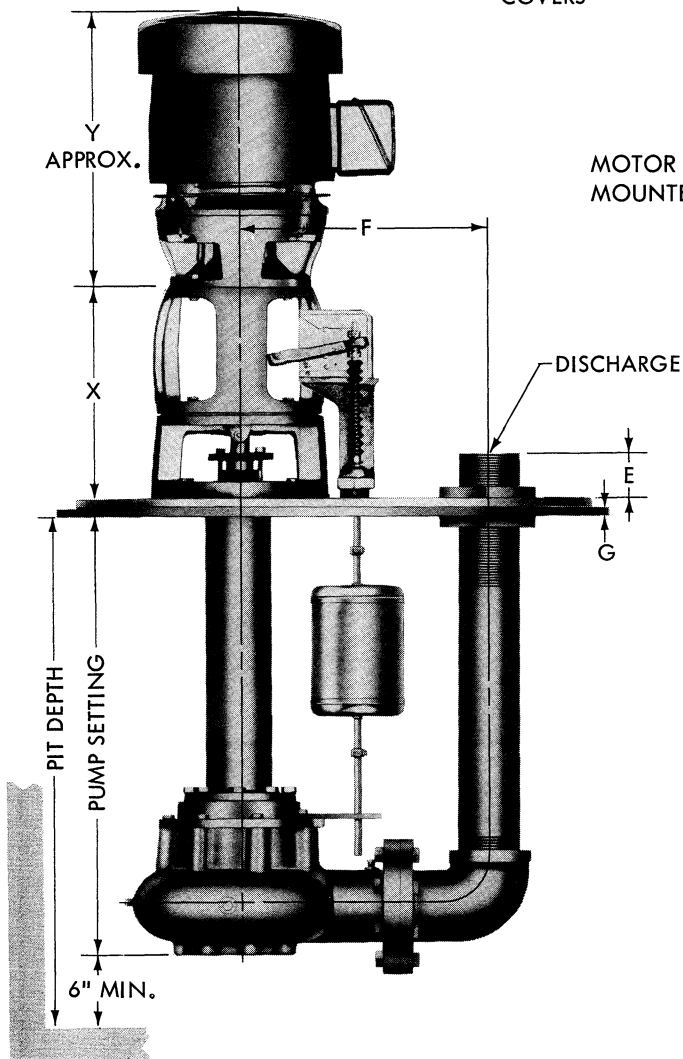
1. All dimensions in inches.
2. Dimensions may vary $\pm 3/8$ ".
3. Not for construction purposes unless certified.
4. Float switch furnished only when specified.
5. Line shaft bearing furnished on 6'6" pump settings and longer.

AURORA MODEL 672 PUMP ON DUPLEX PLATE WITH TWO OVALS AND MANHOLE



PUMP SIZE			E	F	K	
DISCH	SUCTION	CASE BORE			22 X 28 OVAL	26 X 36 OVAL
3	3	9	6-1/2	14-13/16	N.A.	9-5/16
4	4	9	6	16-15/16	N.A.	8-15/16
3	3	12	6-1/2	17-13/16	N.A.	9-13/16
4	4	12	6	18-15/16	N.A.	10-15/16

COVER SIZE B RD. OR SQ.	C ROUND	H SQUARE	G	OVAL USED	D
			STL		
66	64	32	3/4	26 x 36	15
78	76	38	3/4	26 x 36	15



MOTOR & FLOAT SWITCH
MOUNTED BY OTHERS

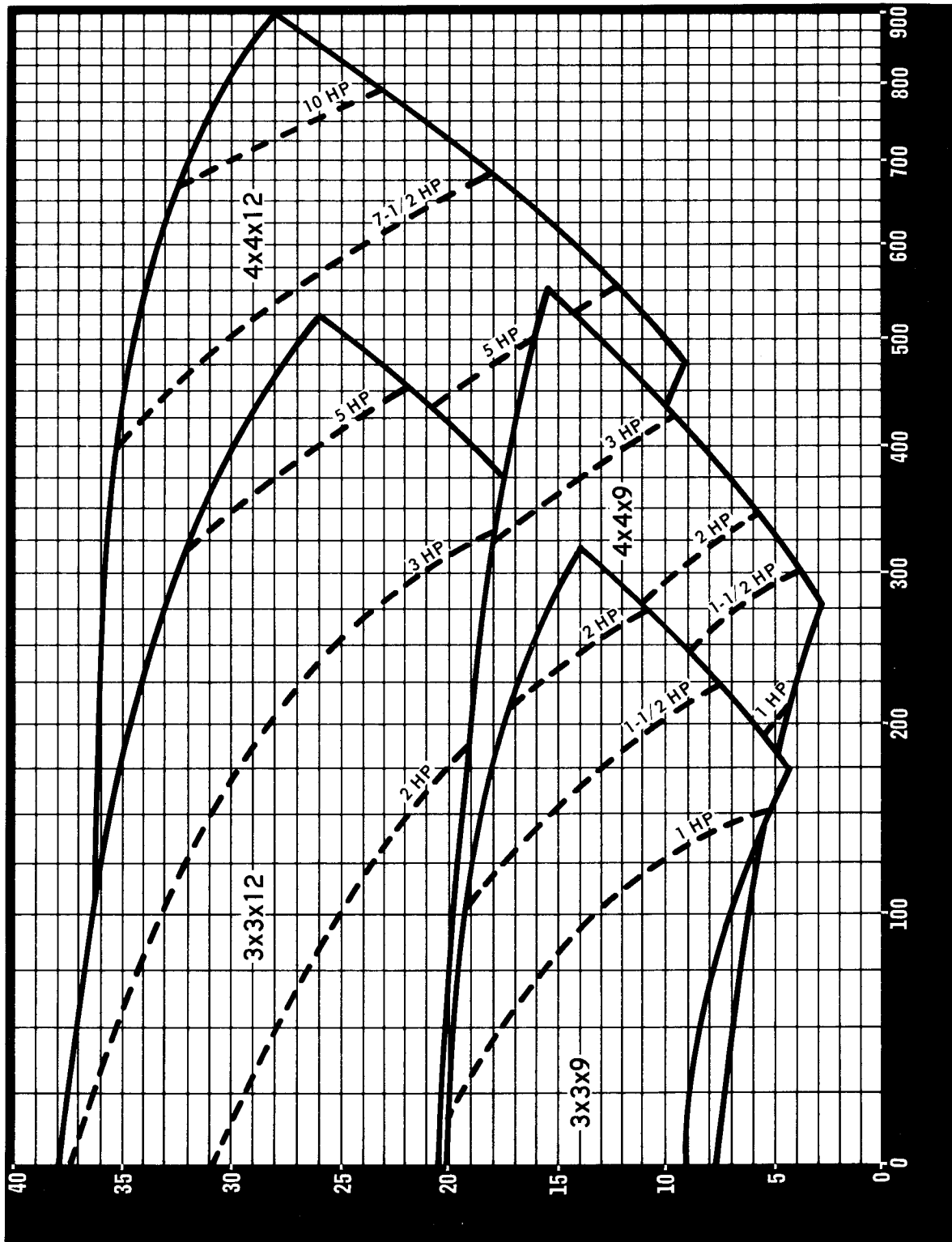
FRAME	X	Y
143HP	13-7/8	11
145HP	13-7/8	12
182HP	13-7/8	13
184HP	13-7/8	14
213HP	13-7/8	16
215HP	13-7/8	17
254HP	13-7/8	19
256HP	13-7/8	21
284HPH	15-5/8	21
286HPH	15-5/8	23
324HP	15-5/8	24
326HP	15-5/8	25
364HP	15-5/8	29
365HP	15-5/8	30

NOTES:

1. ALL DIMENSIONS IN INCHES.
2. DIMENSIONS MAY VARY $\pm 3/8"$.
3. NOT FOR CONSTRUCTION PURPOSES UNLESS CERTIFIED.
4. FLOAT SWITCH FURNISHED ONLY WHEN SPECIFIED.
5. LINE SHAFT BEARING FURNISHED ON 6'6" PUMP SETTINGS AND LONGER.
6. SQUARE COVERS AVAILABLE ONLY IN STEEL.

THIS PAGE LEFT INTENTIONALLY BLANK

AURORA SERIES 670
SELECTION CHART
885 R.P.M.
VORTEX IMPELLER



CAPACITY - G.P.M.

TOTAL DYNAMIC HEAD

THIS PAGE LEFT INTENTIONALLY BLANK

ALL SERIES 670
PERFORMANCE CURVES

SECTION **670** PAGE **401**

DATED **JUNE 1983**

SUPERSEDES PAGES
401 thru 407

REFER TO SECTION **660**
PAGES **401** THRU **412** FOR INDIVIDUAL
PERFORMANCE CURVES BY
PUMP SIZE.

CAUTION

CHECK APPLICABLE PUMP SIZES ONLY.

THIS PAGE LEFT INTENTIONALLY BLANK