

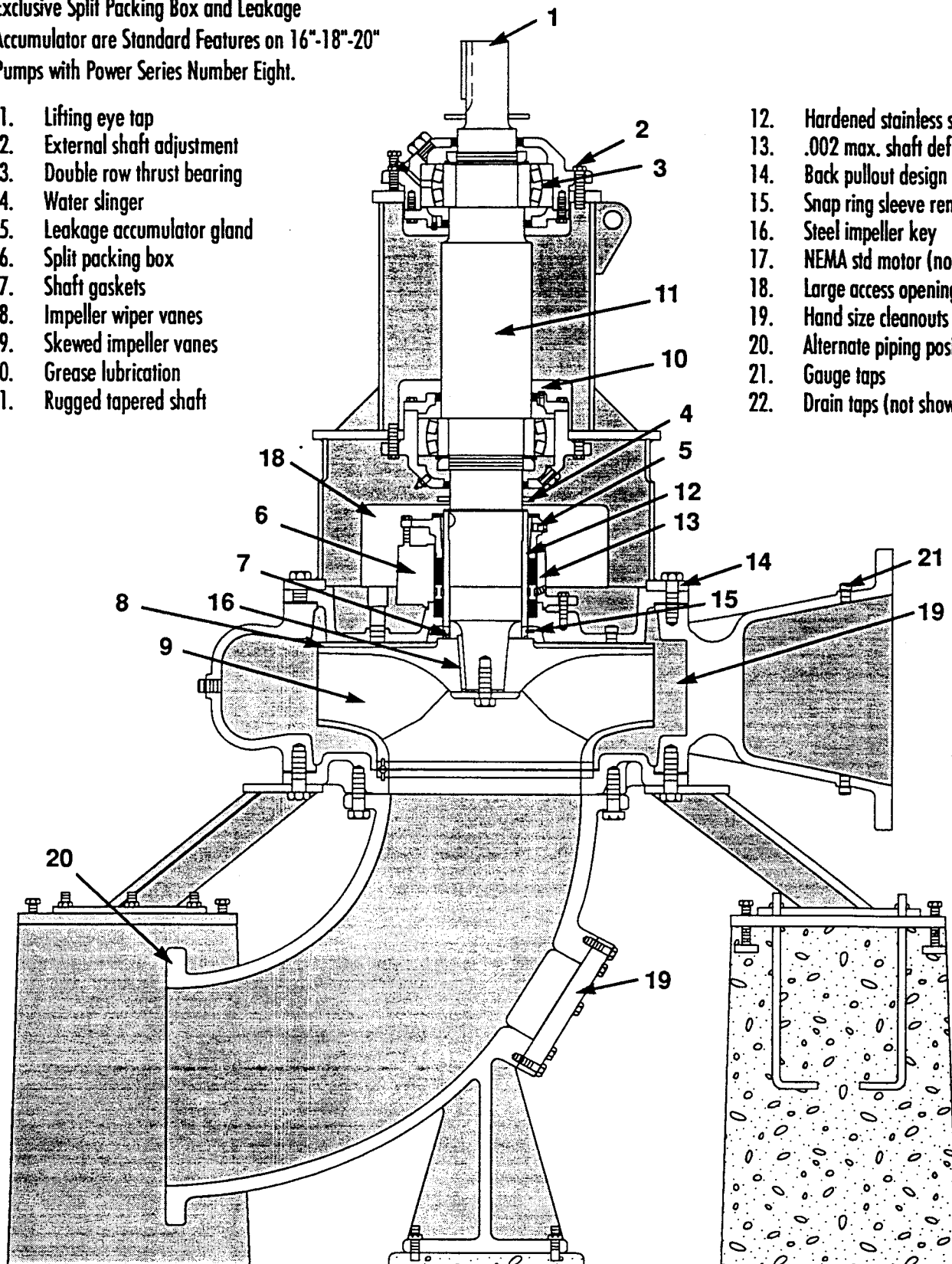
# PUMP FEATURES MODEL 612A 16"-18"-20" PUMPS

Section 610 Page 0  
Dated AUGUST 1993  
SUPERSEDES Section 610 Page 0  
Dated NOVEMBER 1988

Exclusive Split Packing Box and Leakage Accumulator are Standard Features on 16"-18"-20" Pumps with Power Series Number Eight.

1. Lifting eye tap
2. External shaft adjustment
3. Double row thrust bearing
4. Water slinger
5. Leakage accumulator gland
6. Split packing box
7. Shaft gaskets
8. Impeller wiper vanes
9. Skewed impeller vanes
10. Grease lubrication
11. Rugged tapered shaft

12. Hardened stainless steel sleeve
13. .002 max. shaft deflection
14. Back pullout design
15. Snap ring sleeve removal
16. Steel impeller key
17. NEMA std motor (not shown)
18. Large access openings
19. Hand size cleanouts
20. Alternate piping positions
21. Gauge taps
22. Drain taps (not shown)



**THIS PAGE LEFT INTENTIONALLY BLANK**

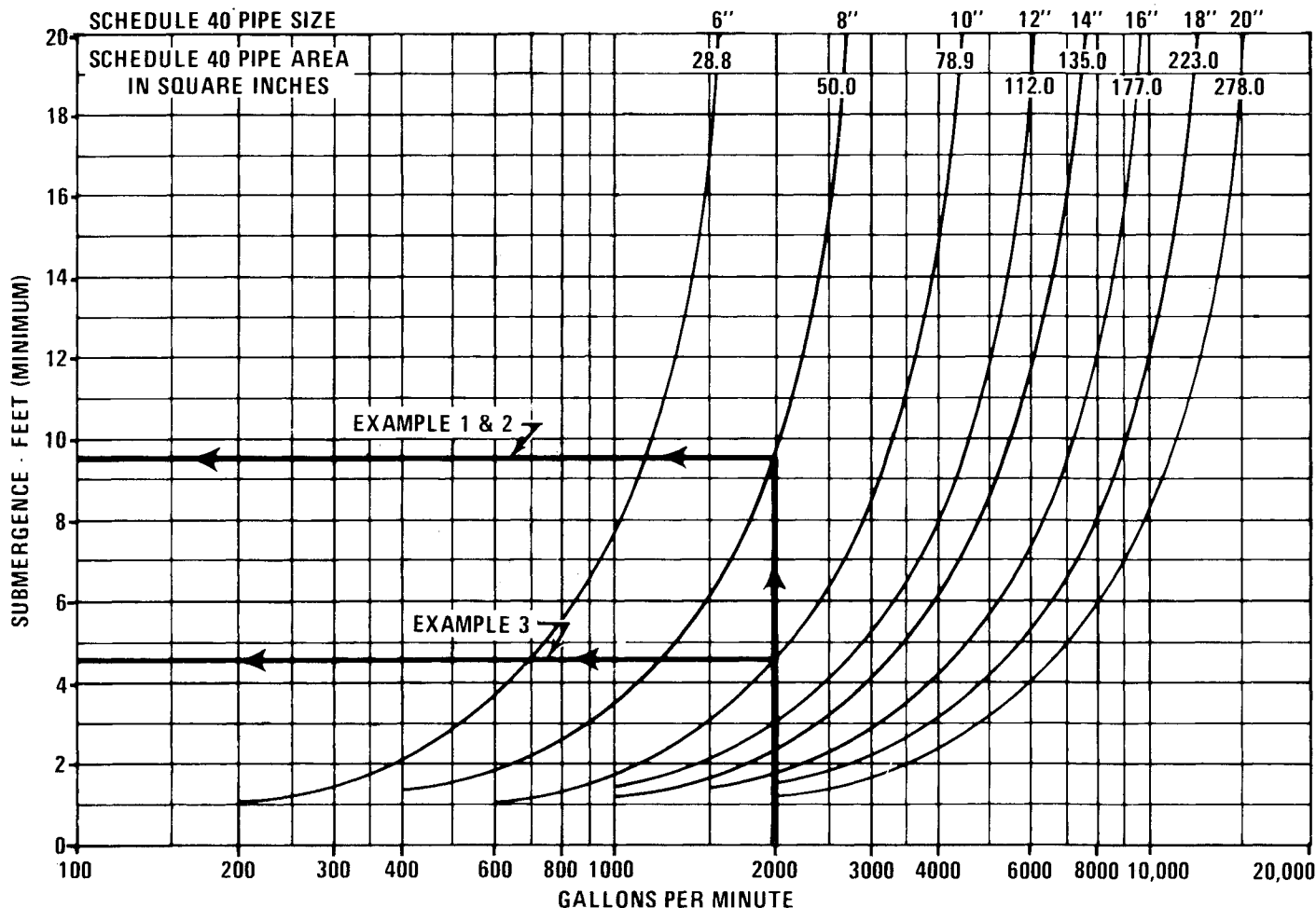
# AURORA 610 SERIES ENGINEERING DATA

SECTION 610 PAGE 71

DATED JUNE 1991

SUPERSEDES PAGE 71

DATED JANUARY 1982

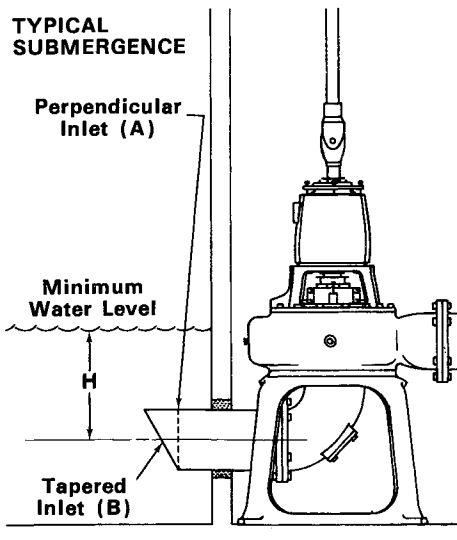


## SUBMERGENCE

Air may be entrained in the pumped liquid if the pump suction is located too close to the free liquid surface in the suction source. Pumping liquid with entrained air can cause a reduction of capacity, rough and noisy operation, vibration, loss of efficiency and wasted power. Excessive wear of close running parts, bearing stresses and shaft damage are also subsequent effects.

### EXAMPLES:

1. When the pipe size is known, the minimum submergence required for 2000 GPM through an 8" pipe is 9.6 feet.
2. When the inlet area is known, the minimum submergence required for 2000 GPM through a 50 square inch outlet is 9.6 feet. Minimum submergence requirements may exceed the available space requirements. When this occurs a larger pipe size or inlet will reduce the required submergence.
3. The minimum submergence required for 2000 GPM through a 10" pipe is 4.6 feet (5.0 feet less than required for an 8" pipe).

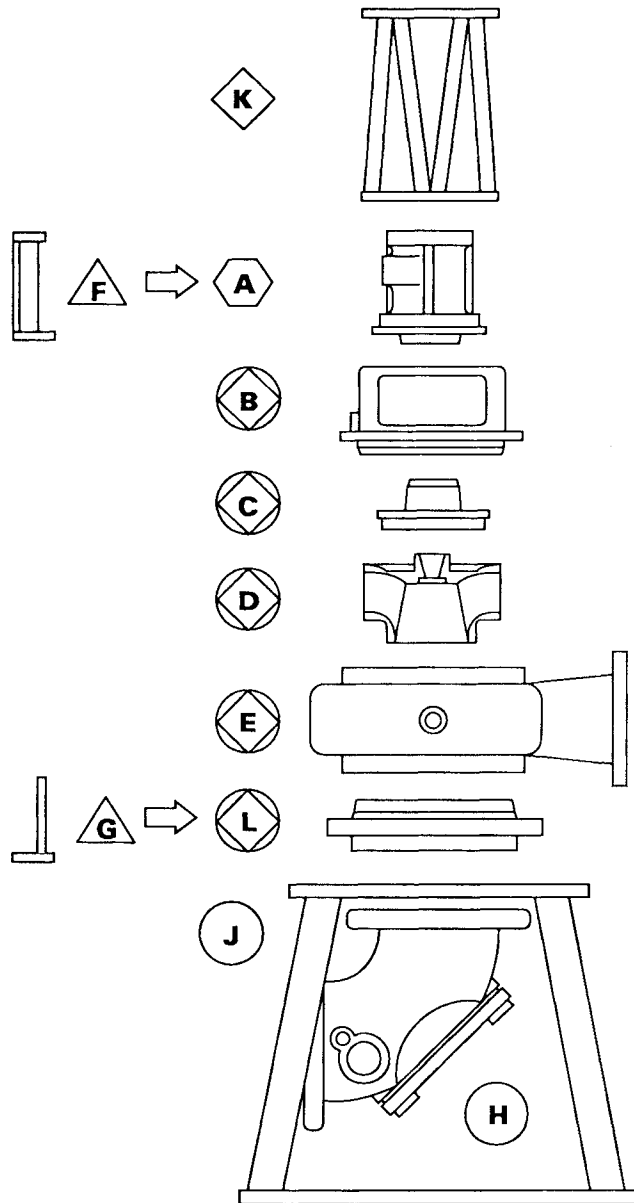


**THIS PAGE LEFT INTENTIONALLY BLANK**

**ENGINEERING DATA**

INTERCHANGEABILITY

Spher-Flo pumps are designed for maximum interchangeability. Model 611A is available in 14 sizes. Model 612A in 17 sizes, Model 613A in 14 sizes, and Model 614A in 6 sizes, offering a model and size precisely fitted to the installation requirements over a wide range of capacities. The 17 sizes are divided into 9 "Power Frames." All parts are interchangeable within a given power frame except for the liquid end and supports. The chart illustrates the degree of interchangeability achieved with the standard Spher-Flo pumps.



- Model 611A Only ..... ▲
- Model 612A Only ..... □
- Model 613A Only ..... ◆
- Models 612A, 613A, & 614A ..... ○
- Models 611A, 612A, & 613A ..... ⬡
- Models 611A, 612A, 613A, & 614A ..... ⊗

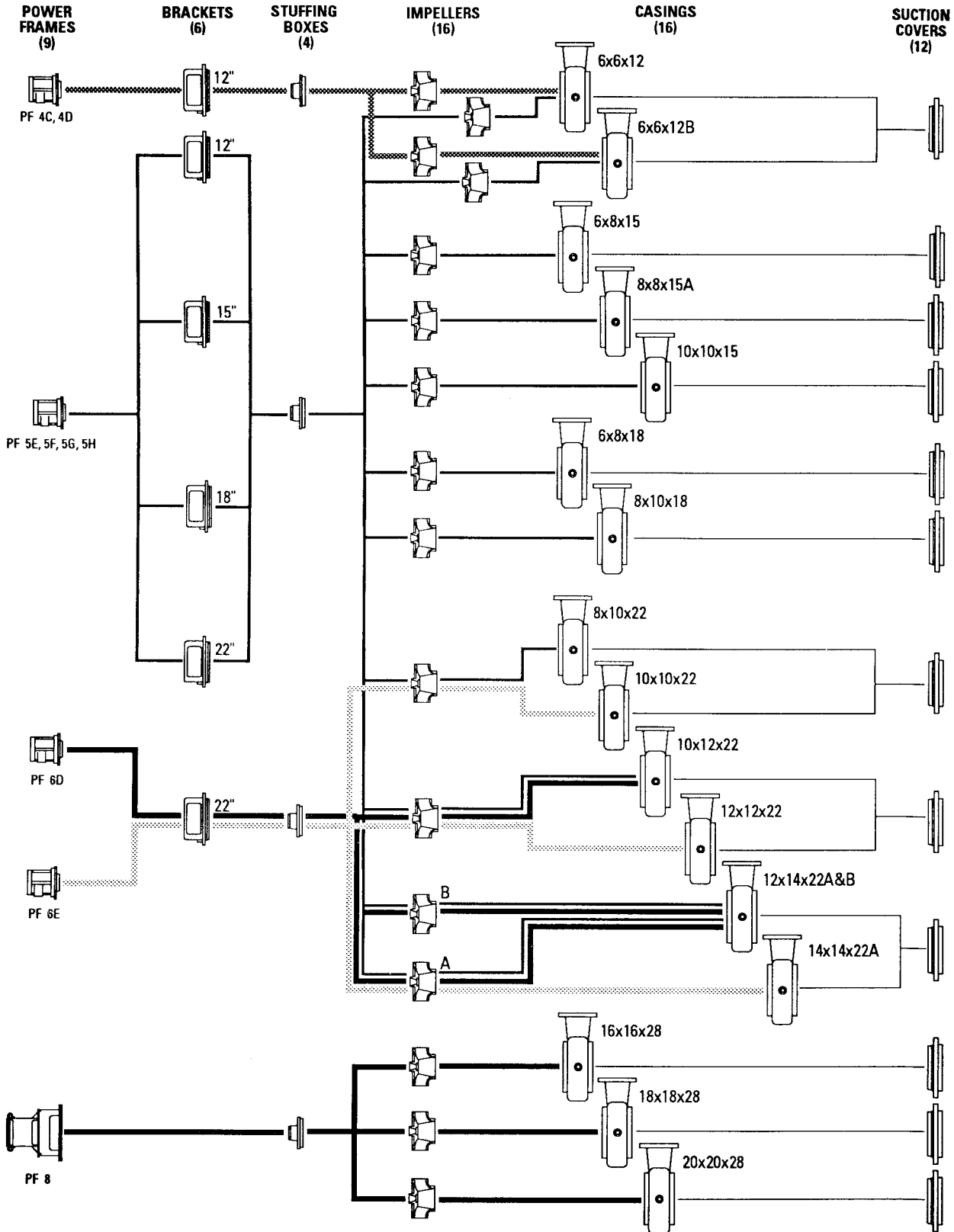
	Qty
A - Power Frames .....	9
B - Brackets .....	6
C - Stuffing Boxes .....	4
D - Impellers .....	16
E - Casings .....	16
F - Mounting Feet (Rear) .....	5
G - Mounting Feet (Front) .....	4
H - Elbows .....	13
J - Bases .....	6
K - Motor Supports .....	3
L - Suction Covers .....	12

**POWER FRAME SELECTION**

PUMP SIZE	RPM							
	1750	1175	1150	875	700	585	580	500
6x6x12	5F		4D	4C	4C			
6x6x12B	5F		4D	4C	4C			
6x8x15	5F		5E	5E	5E		5E	
8x8x15A			5E	5E	5E		5E	
10x10x15			5F	5E	5E		5E	
6x8x18			5F	5E	5E		5E	
8x10x18			5H	5G	5G		5G	
8x10x22				5H	5G		5G	
10x10x22		6E						
10x12x22				6D	5H		5G	
12x12x22		6E						
12x14x22A				6D	5H		5G	
12x14x22B				6D	5H		5G	
14x14x22A		6E						
16x16x28				8	8	8		
18x18x28					8	8		8
20x20x28					8	8		8

# AURORA 610A SERIES ENGINEERING DATA

INTERCHANGEABILITY



# AURORA MODEL 610 PUMP SPLIT PACKING BOX OPTION

POWER FRAMES 4, 5 & 6 ONLY

SECTION 610 PAGE 165

DATED NOVEMBER 1988

SUPERSEDES PAGE 165

DATED OCTOBER 1982



Optional Split Packing Box  
With Leakage Accumulator  
Gland Illustrated

Split packing boxes separate vertically through the packing insert to simplify packing replacement and shaft sleeve inspection. The insert halves are dowed, register aligned and gasketed to prevent leakage. Only six bolts need be removed to expose all of the packing and lantern ring. Remove two more bolts and the remaining packing box insert half can be removed.

The completely exposed packing and sleeve area coupled with the extra large access openings in the pump adapter provides the ultimate in packing accessibility.

Five (5) die-molded, diagonally split, packing rings complete with lantern ring line the stuffing box. The general service packing consists of graphited fiber.

The stuffing box length, bore, sleeve diameters and lantern ring width conform with the recommended standard of the Mechanical Packing Association (MPA).

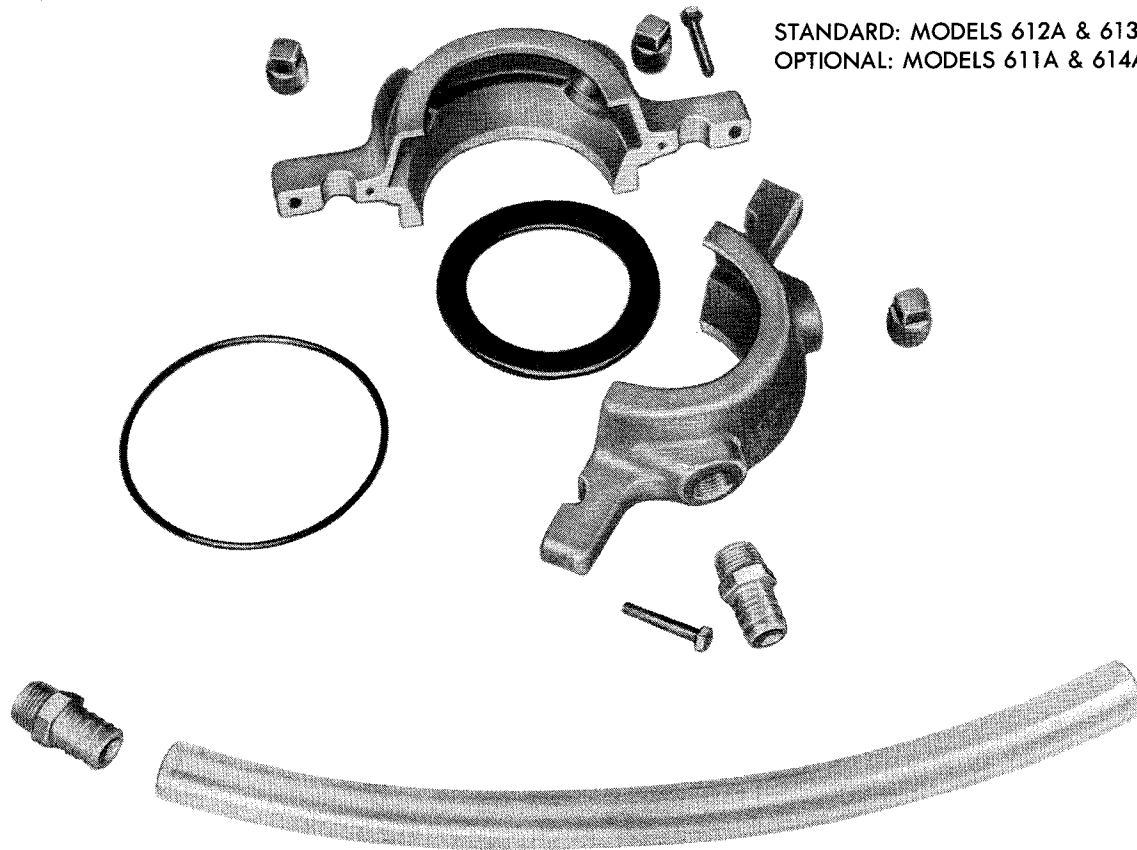
A tapped opening is provided for lubricating the stuffing box. Lubrication is accomplished by adding grease directly into the lantern ring cavity through a grease fitting or by connecting a by-pass line between the pump discharge and the stuffing box. Automatic grease seals as well as other flushing options are also available.

The standard 450 minimum brinell hardened stainless steel shaft sleeve extends through the entire length of the box and gland and is provided with a snap ring. This snap ring design allows the sleeve and the completely assembled packing box to be removed intact. Reassembly can be accomplished in the same manner. Assemble the complete stuffing box at the convenience of the work bench, install and adjust the packing for proper lubrication leakage (5-10 drops per minute after run-in).

**LEAKAGE ACCUMULATOR****POWER FRAMES 4, 5 & 6 ONLY**DATED **NOVEMBER 1988**

SUPERSEDES PAGE 166

DATED OCTOBER 1982



STANDARD: MODELS 612A & 613A  
 OPTIONAL: MODELS 611A & 614A

The leakage accumulator gland (sprayless, dripless packing gland) is designed and constructed to prevent the collection of packing leakage in the pump bracket of a vertical or horizontally mounted pump. The leakage accumulator gland has a volute shape with two symmetrical halves. This gland encloses the water slinger preventing any spray from escaping and contaminating the area. The leakage is efficiently directed to a drain connection.

The two gland halves are doweled, bolted together, and sealed at the parting line with a soft liquid sealant. An "O" ring seal between the gland and packing box prevents any leakage in this area. One of the pipe tap ports on the side of the gland is fitted with a hose connector and a clear plastic section of hose, to both drain off and allow visual inspection of the leakage. The remaining ports have pipe plugs, but may be used for maintenance purposes to flush & drain debris from the accumulator.



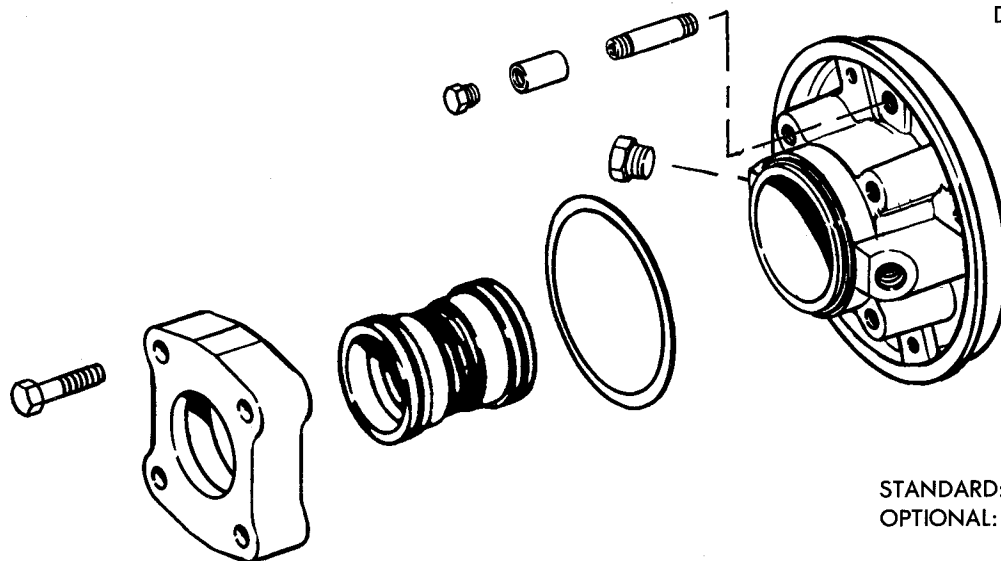
# AURORA MODEL 610 PUMP DOUBLE MECHANICAL SEAL

SECTION 610 PAGE 167

DATED NOVEMBER 1988

SUPERSEDES PAGE 167

DATED JUNE 1972



STANDARD: MODEL 614A

OPTIONAL: MODELS 611A, 612A & 613A

Double mechanical seals are recommended for gritty or abrasive applications. Seal faces are protected by clear water under pressure, injected directly into the seal cavity. Pressure in the seal box must be fifteen (15) lbs. higher than the operating pressure at the stuffing box of the pump. This forces the inner sealing faces closed and provides both faces with a film of clear sealant. If this is not done, abrasive particles may be forced under the sealing faces hastening wear. Even when the pump is not running, a pressure differential, or at least equal pressure in the seal box, is desirable. The sealant circulation for most pumping operations may be dead ended in the stuffing box. Pressures over 30 psi or RPM of 1200 max. require constant circulation to prevent overheating.

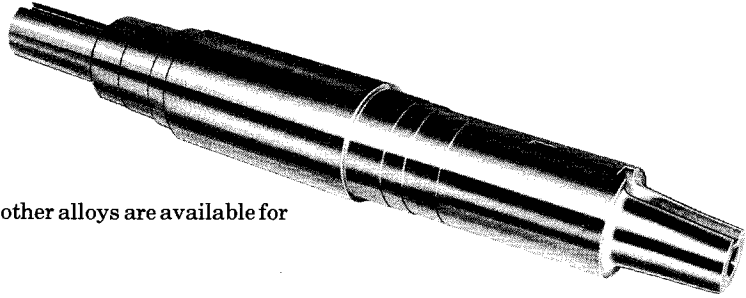
The seal box is designed for the compressed seal length and does not require any adjustments. The seal housing is extra large to provide excellent circulation of clear sealing liquid. The housing also has two tapped openings 180° apart for the flushing connections.

The standard shaft sleeve design is provided with a snap ring which allows the sleeve and the completely assembled seal box to be removed intact. Reassembly can be accomplished in the same manner. Assemble the complete seal box at the convenience of the work bench and install.

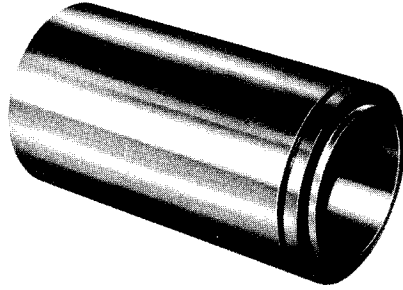
# AURORA MODEL 610 PUMP OPTIONS

## SHAFTS

Precision machined shafts of stainless steel, monel and other alloys are available for difficult application.



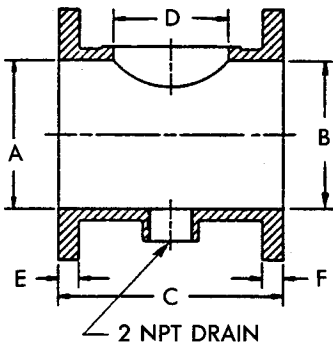
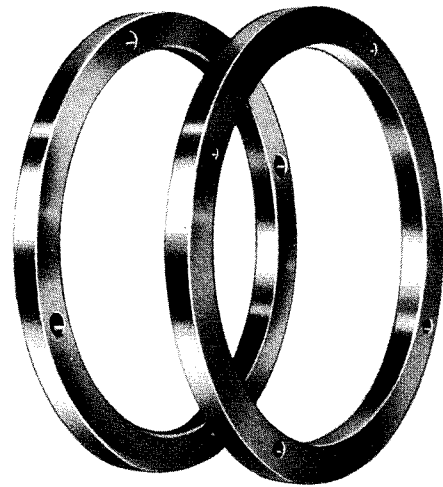
## SLEEVES



Shaft sleeves, machined to close tolerances are optionally available in either bronze, 316 stainless steel, or monel.

## WEAR RINGS

Replaceable stainless steel wear rings available individually or together, protect the impeller and/or casing from wear. The rings are secured and aligned by 4 flat head machine screws that are easily removed. The ring running clearances are adjusted externally by the bearing cap. External flushing of the ring faces is available.



## SUCTION NOZZLES

Suction nozzles are available on Model 611A pumps only. They have hand-size inspection openings to allow access to the impeller and an oversize pipe tap conveniently located for draining purposes. This same pipe tap can be utilized for high pressure flushing or cleaning purposes.

Suction nozzles, when removed, allow the impeller and stuffing box to be removed without disturbing the suction and discharge piping or coupling alignment. Gauge connection taps can be furnished.

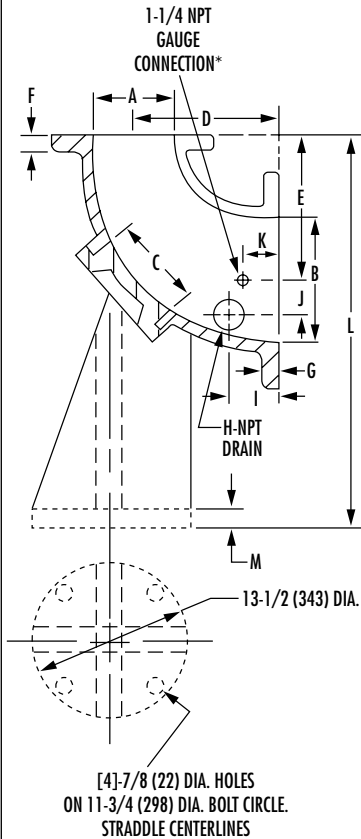
The table illustrates the sizes that are available. The "A" dimension must be the same size as the suction opening on the applicable pump size.

SIZE	A	B	C	D	E	F
6 x 6	6	6	12	5	1-1/8	1-1/8
8 x 8	8	8	12	6-1/8	1-1/8	1-1/8
10 x 10	10	10	12	6-1/8	1-3/16	1-3/16
12 x 12	12	12	13	6-1/8	1-1/4	1-1/4
14 x 14	14	14	13	6-1/8	1-3/8	1-3/8

**ELBOWS**

Suction elbows, size on size (example 6 x 6), are furnished as standard on Models 612A, 613A and 614A pumps. Increaser type suction elbows are optionally available. Suction elbows, as standard, have a 1/4" (6) pipe tap for gauge connections and hand-size inspection openings to allow access to the impeller. An oversize pipe tap is conveniently located for draining purposes. This same pipe tap can be utilized for high pressure flushing or cleaning purposes.

The table below illustrates the sizes that are available. The "A" dimension must be the same size as the suction opening on the applicable pump size.



SIZE	A	B	C	D	E	F	G	H	I	J	K	L	M
4 x 4	4 (102)	4 (102)	4 (102)	6-1/2 (165)	6-1/2 (165)	15/16 (24)	7/8 (22)	1-1/2 (38)	4-19/32 (117)	1-1/2 (38)	2-1/4 (57)	-	-
4 x 6	4 (102)	6 (152)	4 (102)	8 (203)	7 (178)	15/16 (24)	7/8 (22)	1-1/2 (38)	2-3/8 (60)	1-11/16 (43)	3-3/4 (95)	-	-
6 x 6	6 (152)	6 (152)	6 (152)	8 (203)	8 (203)	1 (25)	1 (25)	1-1/2 (38)	3-1/2 (89)	1-1/8 (29)	2-1/8 (54)	-	-
6 x 8	6 (152)	8 (203)	6 (152)	9 (229)	9 (229)	1 (25)	1-1/8 (29)	1-1/2 (38)	3-5/8 (92)	2 (51)	2-1/4 (57)	-	-
8 x 8	8 (203)	8 (203)	6 (152)	9 (229)	9 (229)	1-1/8 (29)	1-1/8 (29)	1-1/2 (38)	3-5/8 (92)	2-1/8 (54)	2-1/4 (57)	-	-
8 x 10	8 (203)	10 (254)	8 (203)	11 (279)	11 (279)	1-1/8 (29)	1-3/16 (30)	1-1/2 (38)	3-11/16 (94)	3-1/4 (83)	2-5/16 (59)	-	-
10 x 10	10 (254)	10 (254)	6 (152)	11 (279)	11 (279)	1-3/16 (30)	1-3/16 (30)	1-1/2 (38)	3-11/16 (94)	3 (76)	2-7/16 (59)	-	-
10 x 12	10 (254)	12 (305)	6 (152)	12 (305)	12 (305)	1-3/16 (30)	1-1/4 (32)	1-1/2 (38)	3-3/4 (95)	4-1/2 (114)	2-1/2 (64)	-	-
12 x 12	12 (305)	12 (305)	8 (203)	12 (305)	12 (305)	1-1/4 (32)	1-1/4 (32)	1-1/2 (38)	3-3/4 (95)	4-1/2 (114)	2-1/2 (64)	-	-
12 x 14	12 (305)	14 (356)	8 (203)	14 (356)	12 (305)	1-1/4 (32)	1-1/4 (32)	2-1/2 (64)	3-3/4 (95)	5-3/8 (137)	2-1/2 (64)	-	-
14 x 14	14 (356)	14 (356)	8 (203)	14 (356)	14 (356)	1-3/8 (35)	1-3/8 (35)	2-1/2 (64)	3-7/8 (98)	5 (127)	2-5/8 (67)	-	-
14 x 16	14 (356)	16 (406)	6 (152)	15 (381)	15 (381)	1-3/8 (35)	1-7/16 (37)	2-1/2 (64)	5 (127)	5-1/2 (140)	2-1/2 (64)	-	-
16 x 16 **	16 (406)	16 (406)	8 (203)	24 (610)	24 (610)	1-7/16 (37)	1-7/16 (37)	2-1/2 (64)	4-1/4 (108)	5-1/2 (140)	2-5/8 (67)	37-3/4 (959)	1-1/8 (29)
16 x 18 **	16 (406)	18 (457)	8 (203)	26-1/2 (673)	26-1/2 (673)	1-7/16 (37)	1-9/16 (40)	2-1/2 (64)	4-1/4 (108)	5-1/2 (140)	2-5/8 (67)	41-1/2 (1054)	1-1/8 (29)
18 x 18 **	18 (457)	18 (457)	8 (203)	26-1/2 (673)	26-1/2 (673)	1-9/16 (40)	1-9/16 (40)	2-1/2 (64)	4-1/4 (108)	5-1/2 (140)	2-5/8 (67)	41-1/2 (1054)	1-1/8 (29)
18 x 20 **	18 (457)	20 (508)	8 (203)	29 (737)	29 (737)	1-9/16 (40)	1-11/16 (43)	2-1/2 (64)	4-1/2 (114)	6 (152)	2-3/4 (70)	45 (1143)	1-1/8 (29)
20 x 20 **	20 (508)	20 (508)	8 (203)	29 (737)	29 (737)	1-11/16 (43)	1-11/16 (43)	2-1/2 (64)	4-1/2 (114)	6 (152)	2-3/4 (70)	45 (1143)	1-1/8 (29)
20 x 24 **	20 (508)	24 (610)	8 (203)	34 (864)	34 (864)	1-11/16 (43)	1-7/8 (48)	2-1/2 (64)	6 (152)	7-3/8 (187)	4 (102)	52-1/2 (1334)	1-1/8 (29)

\* 2 gauge bosses are cast on the elbow, only one is drilled and tapped as standard. The other is drilled and tapped only on request.  
\*\* These elbows are equipped with support foot (shown in phantom). The handhole is above support on these sizes.

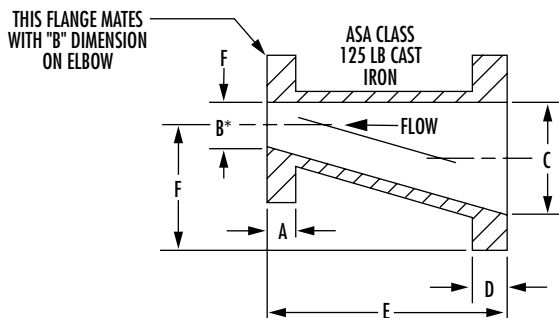
**NOTES:**

1. All dimensions in inches (mm).
2. Dimensions may vary ± 1/8" (3).
3. Pump should be elevated a minimum of 2" (51) to provide flange to floor clearance when using this option.

# AURORA MODEL 610 PUMP

## OPTIONS

### ECCENTRIC SUCTION INCREASERS



Eccentric suction increasers are optionally available for use on Models 612A, 613A and 614A pumps in conjunction with suction elbows. Larger suction line diameters are easily accommodated by these combined options. (Example: A pump with 8" (203) suction can be connected to a 12" (305) suction line by using an 8" x 10" (203 x 254) suction increasing elbow and a 10" x 12" (254 x 305) eccentric suction increaser.

SIZE	A	B*	C	D	E	F
8 x 10	1-1/8 (29)	8 (203)	10 (254)	1-3/16 (30)	12 (305)	9 (229)
10 x 12	1-3/16 (30)	10 (254)	12 (305)	1-1/4 (32)	14 (356)	10-1/2 (267)
12 x 14	1-1/4 (32)	12 (305)	14 (356)	1-3/8 (35)	16 (406)	11-1/2 (292)
14 x 16	1-3/8 (35)	14 (356)	16 (406)	1-7/16 (37)	18 (457)	12-3/4 (324)
16 x 18	1-7/16 (37)	16 (406)	18 (457)	1-9/16 (40)	19 (483)	13-1/2 (343)

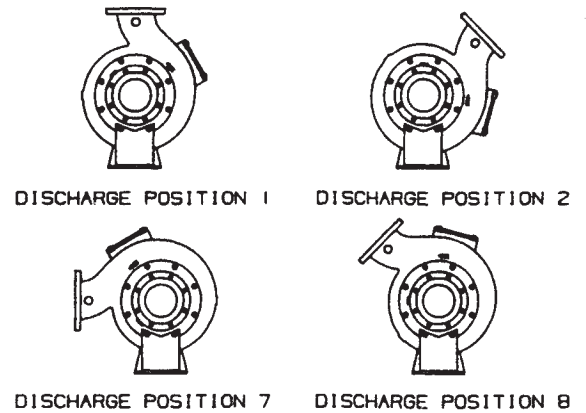
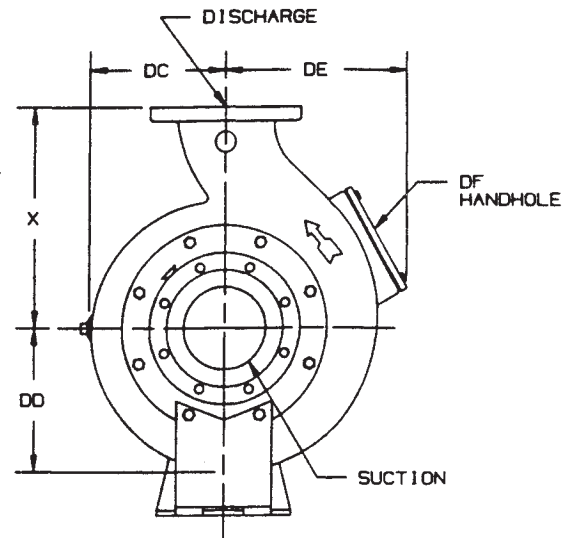
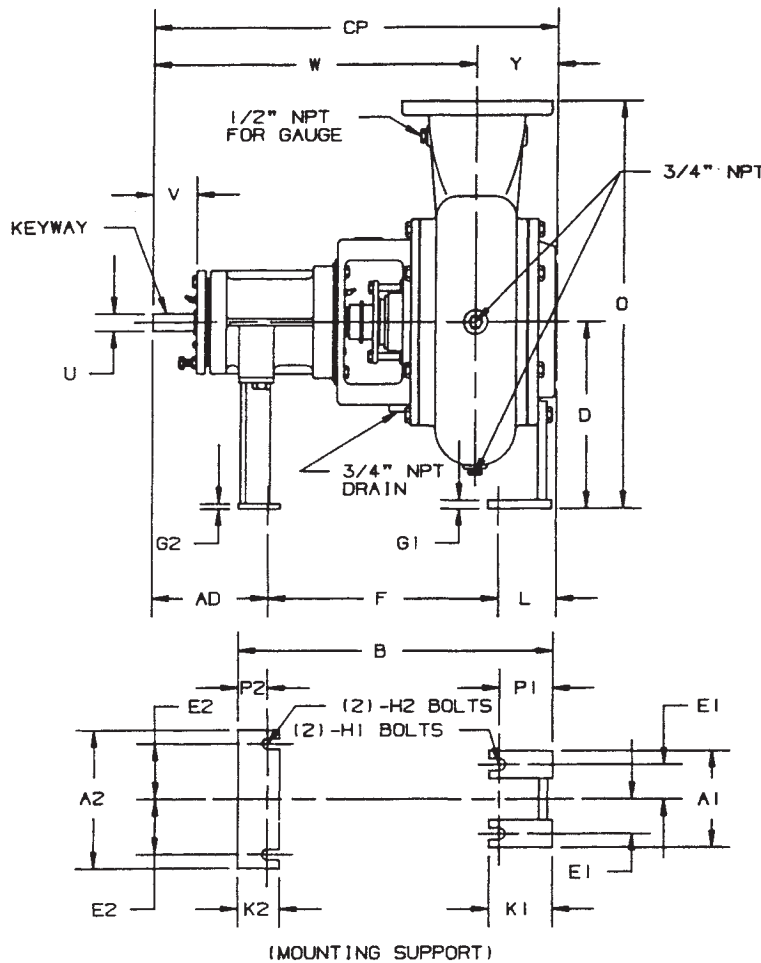
\* "B" Dimension must be same as "B" Dimension of elbow.

**NOTES:**

1. All dimensions in inches (mm).
2. Dimensions may vary  $\pm 1/8"$  (3).
3. Pump should be elevated a minimum of 2" (51) to provide flange to floor clearance when using this option.

# AURORA® MODEL 611A PUMP

## 6" & 8" PUMPS

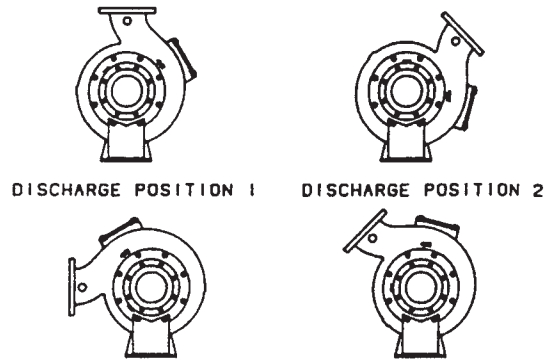
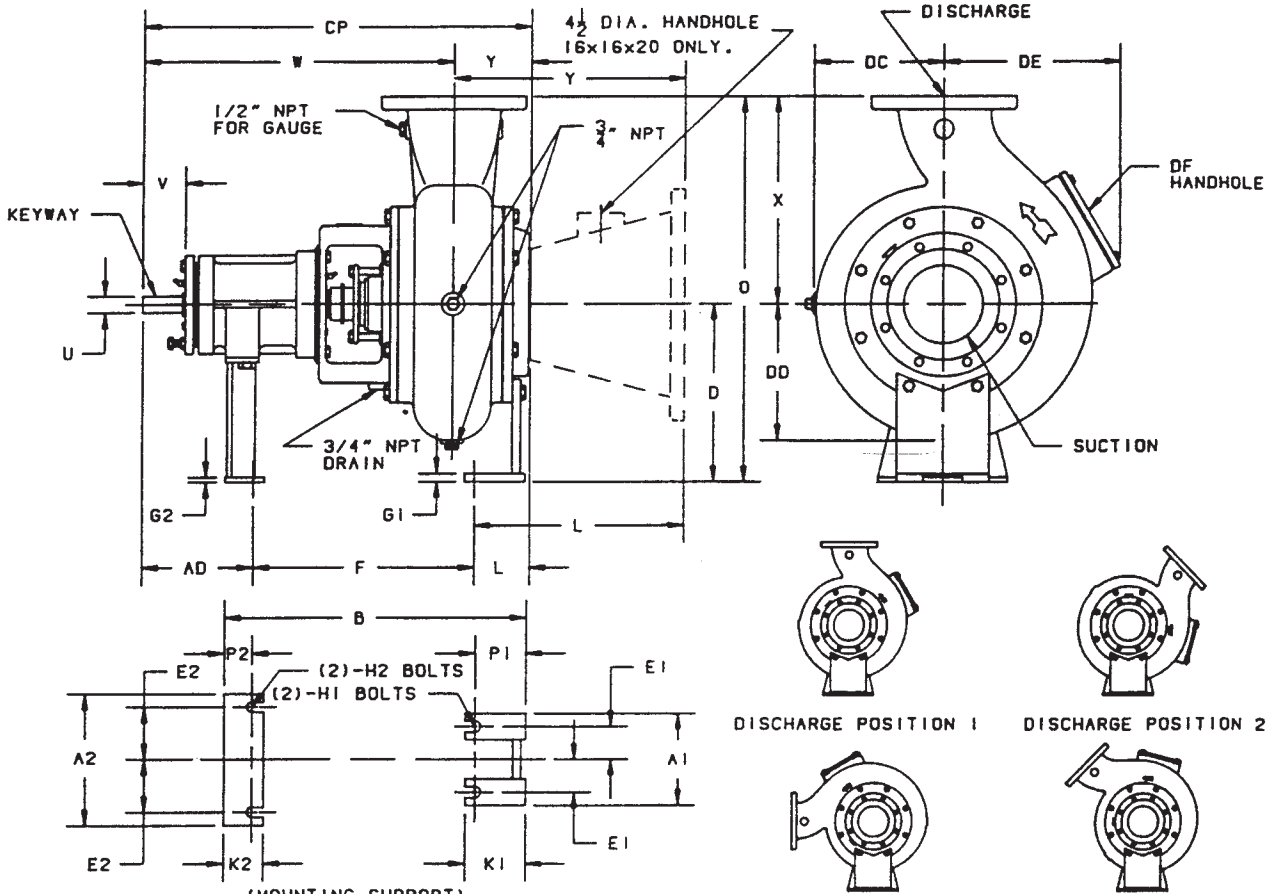


- NOTES:
1. ALL DIMENSIONS IN INCHES.
  2. DIMENSIONS MAY VARY ± 1/2"
  3. NOT FOR CONSTRUCTION PURPOSES UNLESS CERTIFIED.
  4. TWO (2) 1/2" NPT CONNECTIONS 180° APART, ON THE STUFFING BOX FOR LUBRICATION PURPOSES ARE FURNISHED AS STANDARD. ON PACKED PUMPS AN ALEMITE FITTING IS PROVIDED IN ONE TAP AND THE REMAINING TAP IS PLUGGED.
  5. DISCHARGE POSITION 1 IS FURNISHED AS STANDARD UNLESS SPECIFIED.
  6. SUCTION AND DISCHARGE FLANGES ARE AMERICAN STANDARD 125 LBS.

POWER FRAME	U	V	KEYWAY		
			LENGTH	WIDTH	DEPTH
4C, 4D	1 1/4	3 3/16	2	1/4	1/8
5E, 5F 5G, 5H	2 3/8	6 3/8	4	5/8	5/16

DISCH SUCT CASE BORE	POWER FRAME	A1	A2	B	D	E1	E2	F	G1	G2	H1	H2	K1	K2
6x6x12	4C, 4D	7	10	22 7/8	13 1/2	2 1/2	4	16 7/8	5/8	3/8	5/8	5/8	4 5/8	3
6x6x12	5E, 5F	7	10	28 15/16	13 1/2	2 1/2	3 3/4	22 5/16	5/8	3/8	3/4	3/4	4 5/8	4
6x6x12B	4C, 4D	7	10	22 7/8	13 1/2	2 1/2	4	16 7/8	5/8	3/8	5/8	5/8	4 5/8	3
6x6x12B	5E, 5F	7	10	28 15/16	13 1/2	2 1/2	3 3/4	22 5/16	5/8	3/8	3/4	3/4	4 5/8	4
6x8x15	5E, 5F	11 1/2	11	29 1/8	15 1/4	4 1/4	4 1/4	20 7/8	5/8	3/8	7/8	7/8	7	3 1/2
6x8x18	5E, 5F	11 1/2	12 1/2	29 7/8	17 1/2	4 1/4	5	20 5/8	3/4	1/2	7/8	7/8	7	4 1/2
8x8x15A	5E	11 1/2	11	29 13/16	15 1/4	4 1/4	4 1/4	21 9/16	5/8	3/8	7/8	7/8	7	3 1/2
8x10x18	5G, 5H	11 1/2	12 1/2	31	17 1/2	4 1/4	6	21 3/4	3/4	1/2	7/8	7/8	7	4 1/2
8x10x22	5G, 5H	11	15	31 1/4	21	4	6 1/4	21 3/4	3/4	1/2	7/8	7/8	7 1/4	4 1/2

DISCH SUCT CASE BORE	POWER FRAME	L	O	P1	P2	W	X	Y	AD	CP	DC	DD	DE	DF
6x6x12	4C, 4D	4 1/4	27 1/2	3 7/8	2 1/8	23 5/16	14	6 3/16	8 3/8	29 1/2	9 1/2	10 1/2	13 7/8	5x5
6x6x12	5E, 5F	4 1/4	27 1/2	3 7/8	2 3/4	34 3/16	14	6 3/16	13 13/16	40 3/8	9 1/2	10 1/2	13 7/8	5x5
6x6x12B	4C, 4D	4 1/4	29 1/2	3 7/8	2 1/8	23 7/16	16	6 1/16	8 3/8	29 1/2	10 3/8	11 1/16	13 7/8	5x5
6x6x12B	5E, 5F	4 1/4	29 1/2	3 7/8	2 3/4	34 5/16	16	6 1/16	13 13/16	40 3/8	10 3/8	11 1/16	13 7/8	5x5
6x8x15	5E, 5F	5 3/4	31 1/4	6	2 1/4	33 3/4	16	6 1/8	13 1/4	39 7/8	11 3/8	12 1/2	15 3/8	5x5
6x8x18	5E, 5F	5 3/4	35 1/2	6	3 1/4	34 1/16	18	6 7/16	14 1/8	40 1/2	13	14 3/8	16 7/8	5x5
8x8x15A	5E	8 7/16	34 1/4	6	2 1/4	34 1/8	19	9 1/8	13 1/4	43 1/4	12 5/8	13 1/2	15 3/4	5x7
8x10x18	5G, 5H	5 1/2	36 1/2	6	3 1/4	34 5/8	19	6 3/4	14 1/8	41 3/8	12 7/8	14 9/16	16	5x7
8x10x22	5G, 5H	5 5/8	43	6 1/4	3 1/4	34 5/8	22	6 7/8	14 1/8	41 1/2	14 7/8	16 1/2	17 7/8	5x7



DISCHARGE POSITIONS AVAILABLE (VIEWED FROM SUCTION END)

- NOTES:**
1. ALL DIMENSIONS IN INCHES.
  2. DIMENSIONS MAY VARY ± 1/2".
  3. NOT FOR CONSTRUCTION PURPOSES UNLESS CERTIFIED.
  4. TWO (2) 1/2" NPT CONNECTIONS 180° APART, ON THE STUFFING BOX FOR LUBRICATION PURPOSES ARE FURNISHED AS STANDARD. ON PACKED PUMPS AN ALEMITE FITTING IS PROVIDED IN ONE TAP AND THE REMAINING TAP IS PLUGGED.
  5. DISCHARGE POSITION 1 IS FURNISHED AS STANDARD UNLESS SPECIFIED.
  6. SUCTION AND DISCHARGE FLANGES ARE AMERICAN STANDARD 125 LBS.

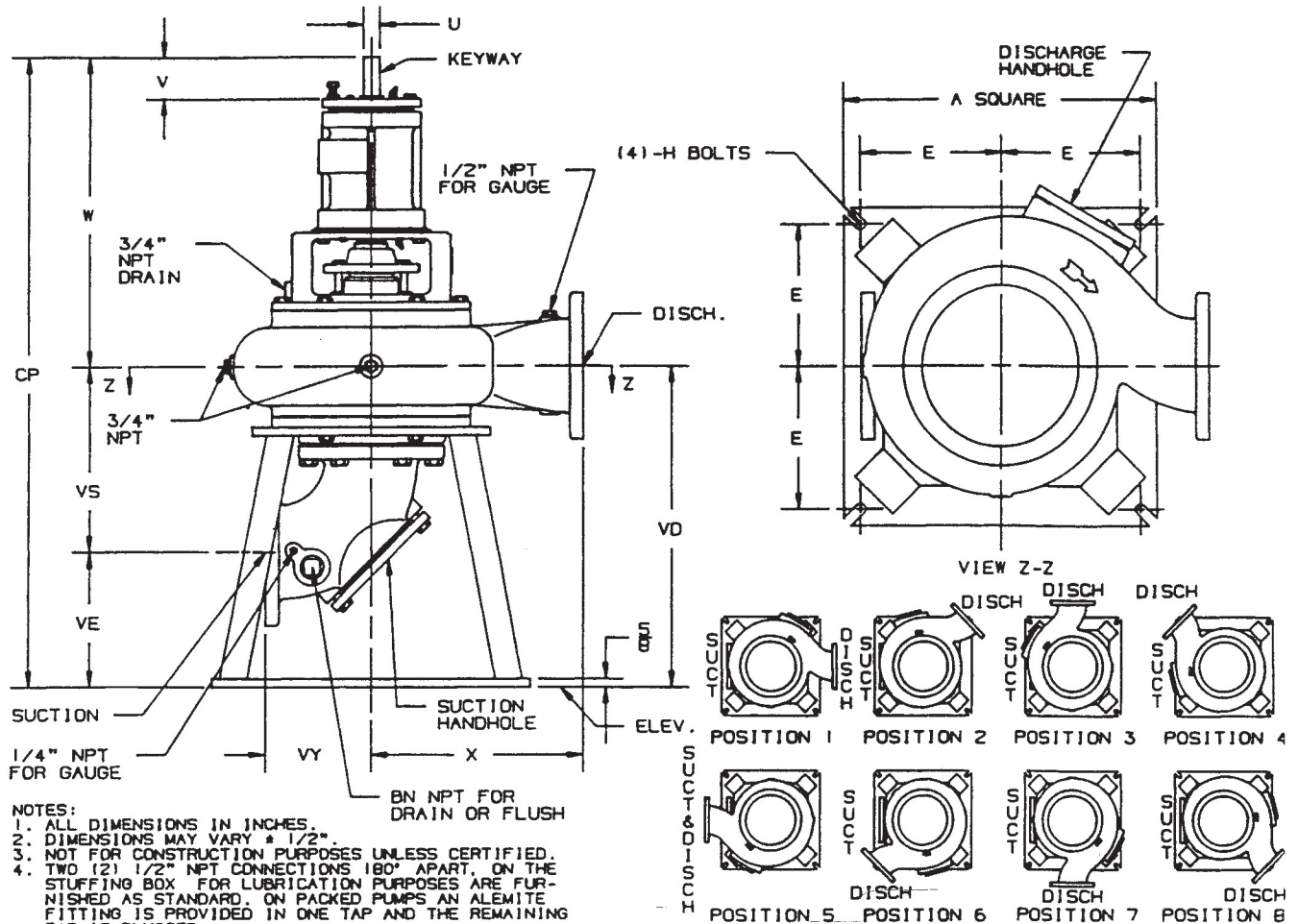
POWER FRAME	U	V	KEYWAY		
			LENGTH	WIDTH	DEPTH
5E, 5F	2 3/8	6 3/8	4	5/8	5/16
5G, 5H					
6D, 6F	2 7/8	6 5/8	5	3/4	3/8
6E	2 7/8	5 3/4	4	3/4	3/8

DISCH SUCT CASE BORE	POWER FRAME	A1	A2	B	D	E1	E2	F	G1	G2	H1	H2	K1	K2
10x10x15	5E, 5F	11 1/2	11	31	15 1/4	4 1/4	4 1/4	22 3/4	5/8	3/8	7/8	7/8	7	3 1/2
10x10x22	6E	11	15	33 3/4	21	4	4	6 1/4	24 1/8	3/4	1/2	7/8	7/8	7 1/4
10x12x22	5G, 5H	11	15	32 5/16	21	4	4	6 1/4	22 3/4	3/4	1/2	7/8	7/8	7 1/4
10x12x22	6D	11	15	34 13/16	21	4	4	6 1/4	25 1/8	3/4	1/2	7/8	7/8	7 1/4
12x12x22	6E	11	15	34 1/4	21	4	4	6 1/4	25 1/4	3/4	1/2	7/8	7/8	7 1/4
12x14x22A	5G, 5H	11	15	32 3/8	21	4	4	6 1/4	22 7/8	3/4	1/2	7/8	7/8	7 1/4
12x14x22A	6D	11	15	34 1/4	21	4	4	6 1/4	25 1/4	3/4	1/2	7/8	7/8	7 1/4
12x14x22B	5G, 5H	11	15	32 3/8	21	4	4	6 1/4	22 7/8	3/4	1/2	7/8	7/8	7 1/4
12x14x22B	6D	11	15	34 1/4	21	4	4	6 1/4	25 1/4	3/4	1/2	7/8	7/8	7 1/4
14x14x22A	6E	11	15	34 1/4	21	4	4	6 1/4	25 1/4	3/4	1/2	7/8	7/8	7 1/4
16x16x20	6F	11	15	39	24	4	4	6 1/4	29 1/2	3/4	1/2	7/8	7/8	7 1/4

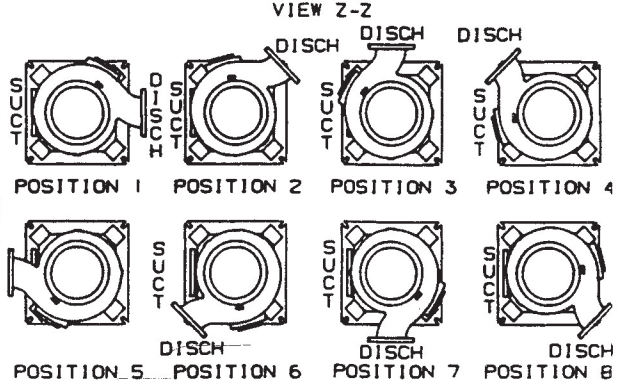
DISCH SUCT CASE BORE	POWER FRAME	L	O	P1	P2	W	X	Y	AD	CP	DC	DD	DE	DF
10x10x15	5E, 5F	8 7/8	35 1/4	6	2 1/4	34 13/16	20	10 1/16	13 1/4	44 7/8	11 5/8	13 5/8	17 1/2	5x7
10x10x22	6E	5 5/8	43	6 1/4	3 1/4	37 1/8	22	6 7/8	14 1/4	44	15	16 1/2	18 1/2	5x7
10x12x22	5G, 5H	5 3/8	43 1/2	6 1/4	3 1/4	35 1/16	22 1/2	7 3/16	14 1/8	42 1/4	15 1/2	17 7/8	20 1/8	5x7
10x12x22	6D	5 3/8	43 1/2	6 1/4	3 1/4	37 9/16	22 1/2	7 3/16	14 1/4	44 3/4	15 1/2	17 7/8	20 1/8	5x7
12x12x22	6E	5 3/8	43 1/2	6 1/4	3 1/4	37 5/8	22 1/2	7 1/4	14 1/4	44 7/8	15 5/8	17 3/4	21	5x7
12x14x22A	5G, 5H	5 3/8	45	6 1/4	3 1/4	35 1/8	24	7 1/4	14 1/8	42 3/8	15 7/8	18 3/4	22 1/4	5x7
12x14x22A	6D	5 3/8	45	6 1/4	3 1/4	37 5/8	24	7 1/4	14 1/4	44 7/8	15 7/8	18 3/4	22 1/4	5x7
12x14x22B	5G, 5H	5 3/8	45	6 1/4	3 1/4	35 1/8	24	7 1/4	14 1/8	42 3/8	15 7/8	18 3/4	22 1/4	5x7
12x14x22B	6D	5 3/8	45	6 1/4	3 1/4	37 5/8	24	7 1/4	14 1/4	44 7/8	15 7/8	18 3/4	22 1/4	5x7
14x14x22A	6E	5 3/8	45	6 1/4	3 1/4	37 5/8	24	7 1/4	14 1/4	44 7/8	15 7/8	18 3/4	22 1/4	5x7
16x16x20	6F	19 1/2	56	6 1/4	3 1/4	39 7/8	32	23 1/2	14 1/8	63 3/8	17 3/4	20 1/2	24	6 DIA

# AURORA® MODEL 612A PUMP

6", 8", 10", 12" & 14" PUMPS



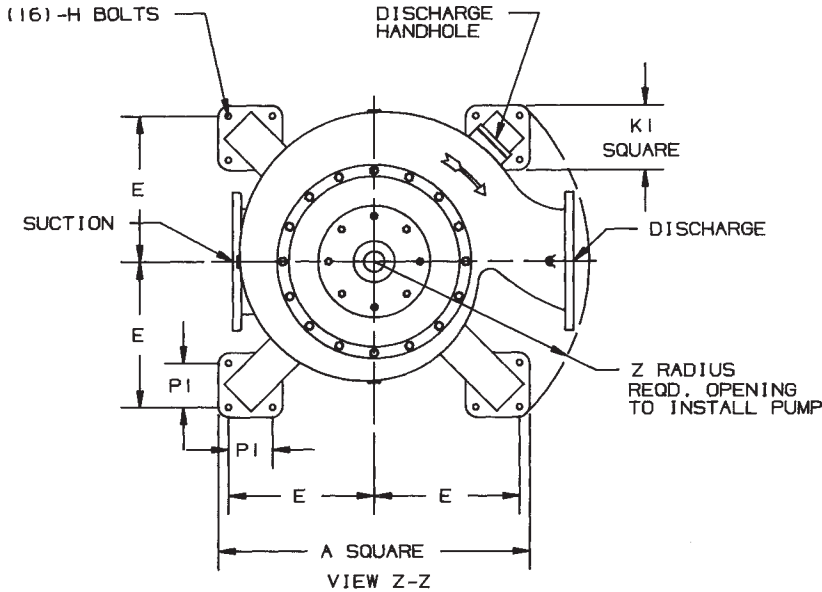
- NOTES:**
1. ALL DIMENSIONS IN INCHES.
  2. DIMENSIONS MAY VARY  $\pm 1/32$ ".
  3. NOT FOR CONSTRUCTION PURPOSES UNLESS CERTIFIED.
  4. TWO (2) 1/2" NPT CONNECTIONS 180° APART, ON THE STUFFING BOX FOR LUBRICATION PURPOSES ARE FURNISHED AS STANDARD. ON PACKED PUMPS AN ALEMITE FITTING IS PROVIDED IN ONE TAP AND THE REMAINING TAP IS PLUGGED.
  5. DISCHARGE POSITION 1 IS FURNISHED AS STANDARD UNLESS SPECIFIED.
  6. SUCTION AND DISCHARGE FLANGES ARE AMERICAN STANDARD 125 LBS.



DISCHARGE POSITIONS AVAILABLE (VIEW Z-Z)

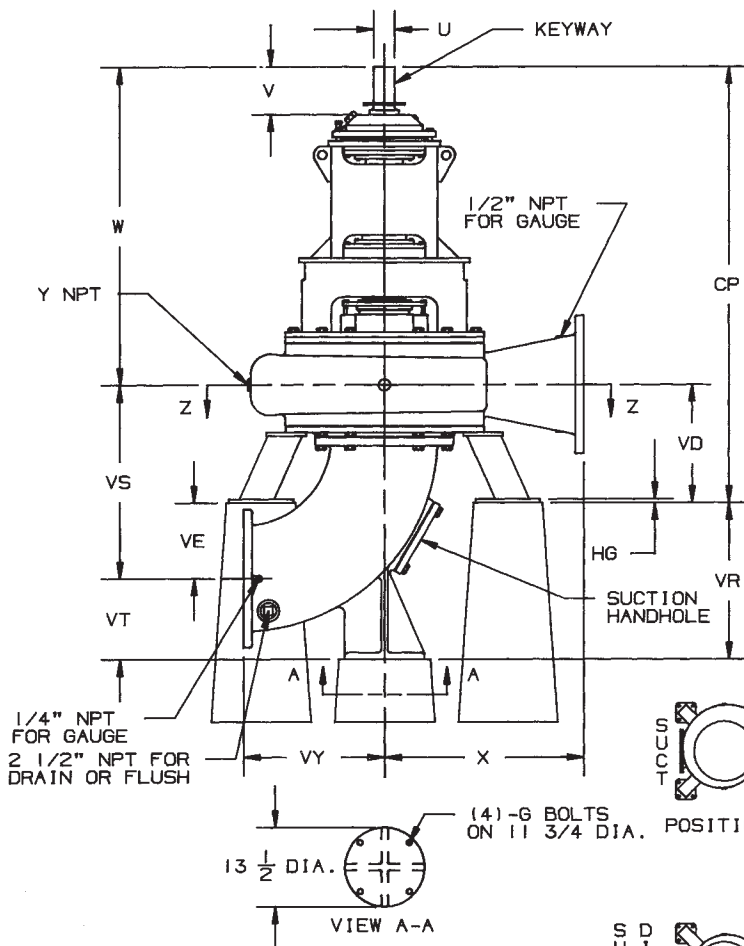
POWER FRAME	U	V	KEYWAY		
			LENGTH	WIDTH	DEPTH
4C, 4D	1 1/4	3 3/16	2	1/4	1/8
5E, 5F	2 3/8	6 3/8	4	5/8	5/16
5G, 5H					
6D	2 7/8	6 5/8	5	3/4	3/8
6E	2 7/8	5 3/4	4	3/4	3/8

DISCH SUCT CASE BORE	POWER FRAME	A	BN	E	H	VY	W	X	CP	VD	VE	VS	HANDHOLE	
													DISCH.	SUCT.
6x6x12	4C, 4D	24	1 1/2	10 3/4	5/8	8	23 5/16	14	47 9/16	24 1/4	10 1/8	14 1/8	5x5	6
6x6x12	5E, 5F	24	1 1/2	10 3/4	5/8	8	34 3/16	14	58 7/16	24 1/4	10 1/8	14 1/8	5x5	6
6x6x12B	4C, 4D	24	1 1/2	10 3/4	5/8	8	23 7/16	16	47 9/16	24 1/8	10 1/8	14	5x5	6
6x6x12B	5E, 5F	24	1 1/2	10 3/4	5/8	8	34 5/16	16	58 7/16	24 1/8	10 1/8	14	5x5	6
6x8x15	5E, 5F	30	1 1/2	13 3/4	3/4	9	33 3/4	16	65 7/8	32 1/8	17	15 1/8	5x5	6
6x8x18	5E, 5F	30	1 1/2	13 3/4	3/4	9	34 1/16	18	66 7/16	32 3/8	17	15 3/8	5x5	6
8x8x15A	5E	30	1 1/2	13 3/4	3/4	9	34 1/8	19	66 1/2	32 3/8	14 1/4	18 1/8	5x7	6
8x10x18	5G, 5H	30	1 1/2	13 3/4	3/4	11	34 5/8	19	67 5/8	33	15 3/16	17 13/16	5x7	6
8x10x22	5G, 5H	37	1 1/2	17	7/8	11	34 5/8	22	69 1/8	34 1/2	16 5/8	17 7/8	5x7	6
10x10x15	5E, 5F	30	1 1/2	13 3/4	3/4	11	34 13/16	20	67 3/4	32 15/16	11 7/8	21 1/16	5x7	6
10x10x22	6E	37	1 1/2	17	7/8	11	37 1/8	22	71 5/8	34 1/2	16 5/8	17 7/8	5x7	6
10x12x22	5G, 5H	37	1 1/2	17	7/8	12	35 1/16	22 1/2	70 3/16	35 1/8	15 9/16	19 3/16	5x7	8
10x12x22	6D	37	1 1/2	17	7/8	12	37 9/16	22 1/2	72 11/16	35 1/8	15 9/16	19 3/16	5x7	8
12x12x22	6E	37	1 1/2	17	7/8	12	37 5/8	22 1/2	72 3/4	35 1/8	15 9/16	19 3/16	5x7	8
12x14x22A	5G, 5H	37	2 1/2	17	7/8	14	35 1/8	24	70 1/4	35 1/8	13 7/8	21 1/4	5x7	8
12x14x22A	6D	37	2 1/2	17	7/8	14	37 5/8	24	72 3/4	35 1/8	13 7/8	21 1/4	5x7	8
12x14x22B	5G, 5H	37	2 1/2	17	7/8	14	35 1/8	24	70 1/4	35 1/8	13 7/8	21 1/4	5x7	8
12x14x22B	6D	37	2 1/2	17	7/8	14	37 5/8	24	72 3/4	35 1/8	13 7/8	21 1/4	5x7	8
14x14x22A	6E	37	2 1/2	17	7/8	14	37 5/8	24	72 3/4	35 1/8	13 7/8	21 1/4	5x7	8

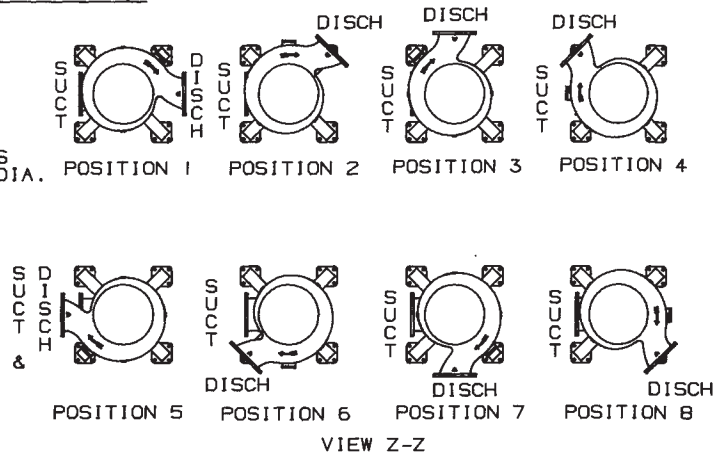


CASE BORE	16x16x28	18x18x28	20x20x28
SUCT.			
DISCH.			
POWER FRAME	8	8	8
A	53	53	53
E	24 3/4	24 3/4	24 3/4
G	3/4	3/4	3/4
H	7/8	7/8	7/8
KI	11	11	11
PI	7 1/2	7 1/2	7 1/2
W	54 3/8	55 1/8	55 5/8
X	34	37	42
Y	3/4	1	1
Z	36	38	44 1/4
CP	74 1/2	78	77 11/16
HG	5/8	5/8	5/8
VD	20 1/8	22 7/8	22 1/16
VE	12 15/16	14 1/8	21 15/16
VR	26 11/16	29 1/8	37 15/16
VS	33 1/16	37	44
VT	13 3/4	15	16
VY	24	26 1/2	29
HANDHOLE DISCH.	6	6	6
HANDHOLE SUCT.	8	8	8

U	V	KEYWAY		
		LENGTH	WIDTH	DEPTH
3 1/2	6 1/2	4 3/4	7/8	7/16



- NOTES:
1. ALL DIMENSIONS IN INCHES.
  2. DIMENSIONS MAY VARY ± 1/2"
  3. NOT FOR CONSTRUCTION PURPOSES UNLESS CERTIFIED.
  4. TWO (2) 1/2" NPT CONNECTIONS 180° APART, ON THE STUFFING BOX FOR LUBRICATION PURPOSES ARE FURNISHED AS STANDARD. ON PACKED PUMPS AN ALEMITE FITTING IS PROVIDED IN ONE TAP AND THE REMAINING TAP IS PLUGGED.
  5. DISCHARGE POSITION 1 IS FURNISHED AS STANDARD UNLESS SPECIFIED.
  6. SUCTION AND DISCHARGE FLANGES ARE AMERICAN STANDARD 125 LBS.





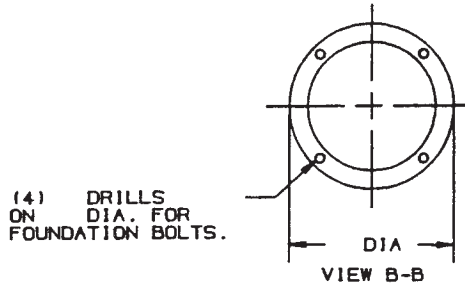
# AURORA® MODEL 612A PUMP

## 6" PUMPS FLEXIBLE SHAFT

Date **October 2017**

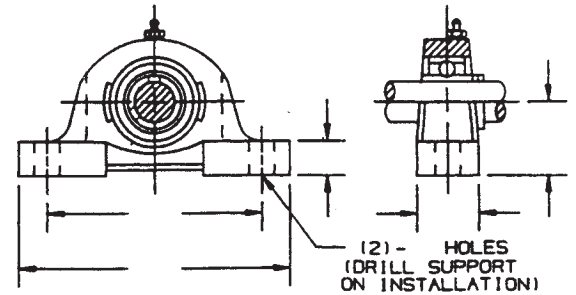
Supersedes Section 610 Page 205

Dated October 1992



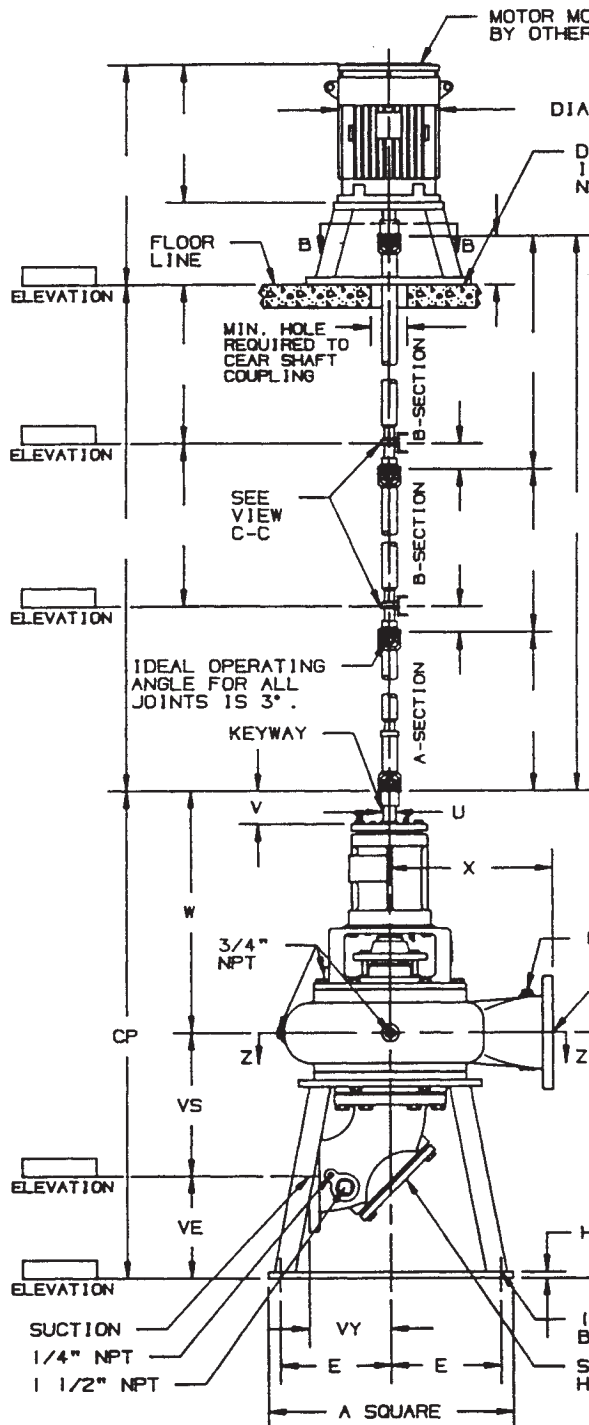
(4) DRILLS ON DIA. FOR FOUNDATION BOLTS.

VIEW B-B



(2) - HOLES (DRILL SUPPORT ON INSTALLATION)

VIEW C-C  
STEADY BEARINGS



MOTOR MOUNTED BY OTHERS

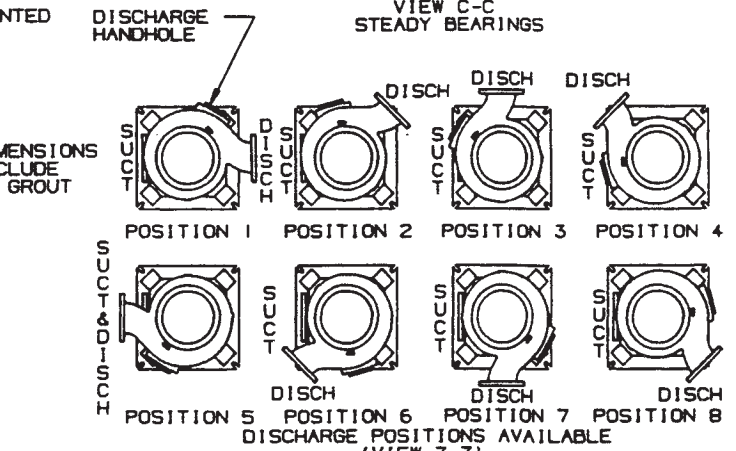
DIA  
DIMENSIONS INCLUDE NO GROUT

MIN. HOLE REQUIRED TO CLEAR SHAFT COUPLING

SEE VIEW C-C

IDEAL OPERATING ANGLE FOR ALL JOINTS IS 3°.

KEYWAY



DISCHARGE HANDHOLE

POSITION 1 POSITION 2 POSITION 3 POSITION 4

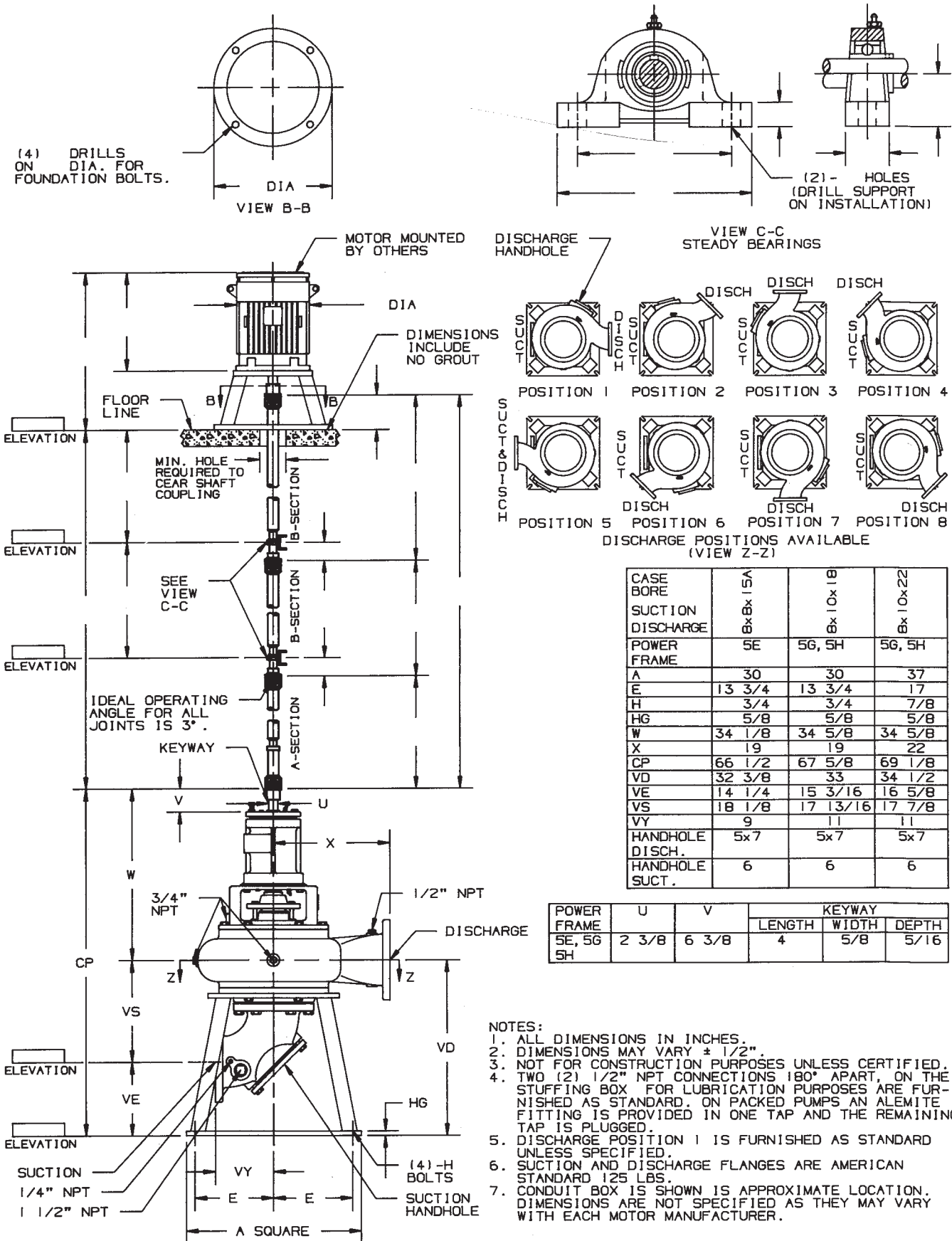
POSITION 5 POSITION 6 POSITION 7 POSITION 8

DISCHARGE POSITIONS AVAILABLE (VIEW Z-Z)

CASE BORE	6x6x12	6x6x12	6x6x12B	6x6x12B	6x6x15	6x6x18
SUCTION DISCHARGE						
POWER FRAME	4C, 4D	5E, 5F	4C, 4D	5F	5E, 5F	5E, 5F
A	24	24	24	24	30	30
E	10 3/4	10 3/4	10 3/4	10 3/4	13 3/4	13 3/4
H	5/8	5/8	5/8	5/8	3/4	3/4
HG	5/8	5/8	5/8	5/8	5/8	5/8
W	23 5/16	34 3/16	23 7/16	34 5/16	33 3/4	34 1/16
X	14	14	16	16	16	18
CP	47 9/16	58 7/16	47 9/16	58 7/16	65 7/8	66 7/16
VD	24 1/4	24 1/4	24 1/8	24 1/8	32 1/8	32 3/8
VE	10 1/8	10 1/8	10 1/8	10 1/8	17	17
VS	14 1/8	14 1/8	14	14	15 1/8	15 3/8
VY	8	8	8	8	9	9
HANDHOLE DISCH.	5x5	5x5	5x5	5x5	5x5	5x5
HANDHOLE SUCT.	6	6	6	6	6	6

POWER FRAME	U	V	KEYWAY		
			LENGTH	WIDTH	DEPTH
4C, 4D	1 1/4	3 3/16	2	1/4	1/8
5E, 5F	2 3/8	6 3/8	4	5/8	5/16

- NOTES:
- ALL DIMENSIONS IN INCHES.
  - DIMENSIONS MAY VARY ± 1/2".
  - NOT FOR CONSTRUCTION PURPOSES UNLESS CERTIFIED.
  - TWO (2) 1/2" NPT CONNECTIONS 180° APART, ON THE STUFFING BOX FOR LUBRICATION PURPOSES ARE FURNISHED AS STANDARD. ON PACKED PUMPS AN ALEMITE FITTING IS PROVIDED IN ONE TAP AND THE REMAINING TAP IS PLUGGED.
  - DISCHARGE POSITION 1 IS FURNISHED AS STANDARD UNLESS SPECIFIED.
  - SUCTION AND DISCHARGE FLANGES ARE AMERICAN STANDARD 125 LBS.
  - CONDUIT BOX IS SHOWN IS APPROXIMATE LOCATION. DIMENSIONS ARE NOT SPECIFIED AS THEY MAY VARY WITH EACH MOTOR MANUFACTURER.



10" PUMPS

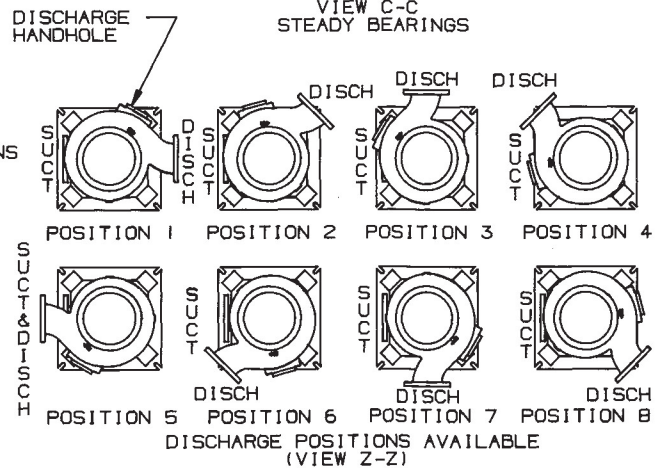
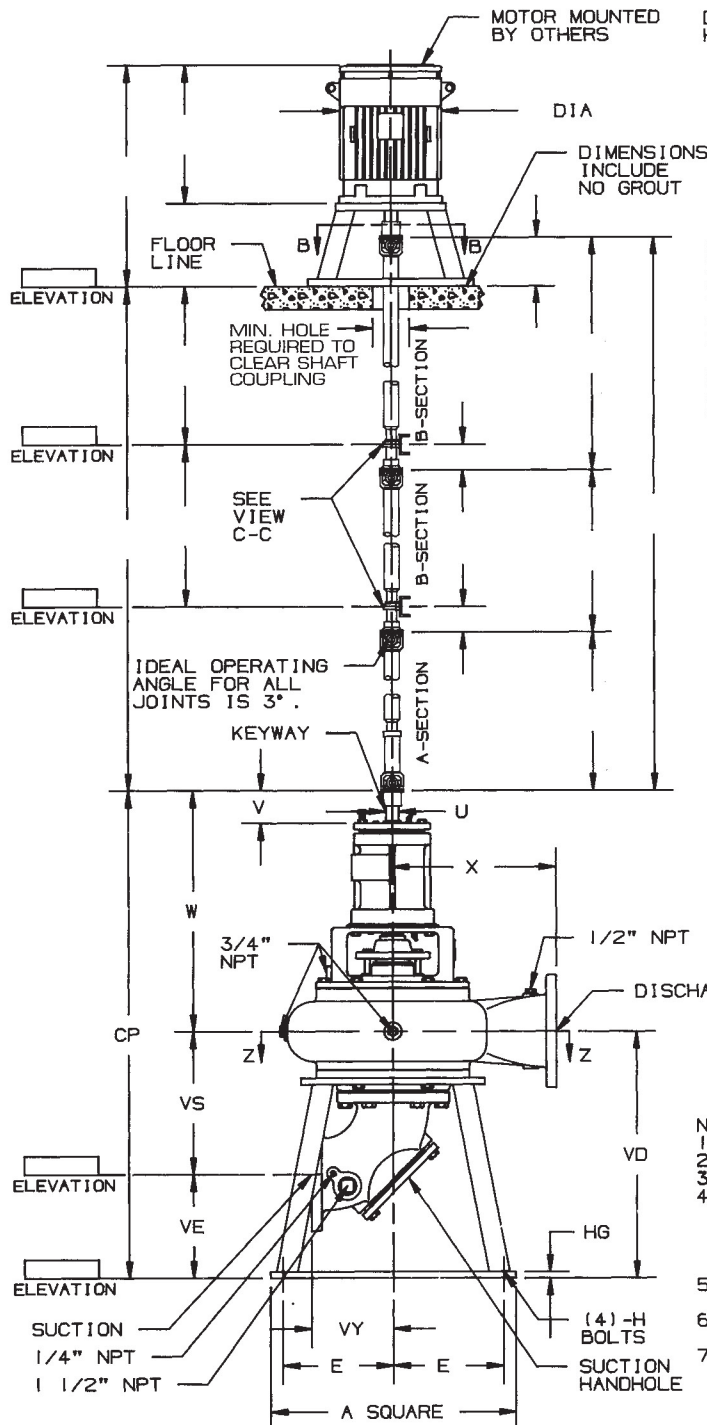
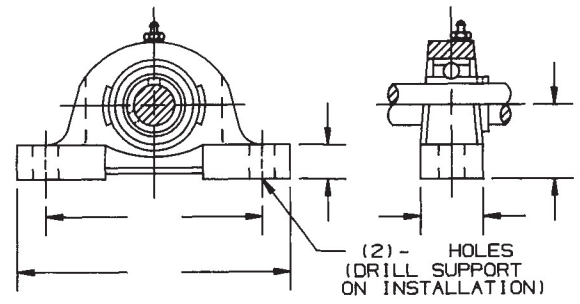
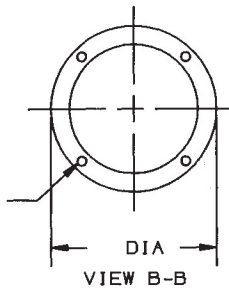
Date **October 2017**

FLEXIBLE SHAFT

Supersedes Section 610 Page 207

Dated May 1996

(4) DRILLS ON DIA. FOR FOUNDATION BOLTS.



CASE BORE	15	22	22	22
SUCTION	10x10	10x22	10x22	10x22
DISCHARGE	10x10	10x22	10x22	10x22
POWER FRAME	5E, 5F	6E	5G, 5H	6D
A	30	37	37	37
E	13 3/4	17	17	17
H	3/4	7/8	7/8	7/8
HG	5/8	5/8	5/8	5/8
W	34 13/16	37 1/8	35 1/16	37 9/16
X	20	22	22 1/2	22 1/2
CP	67 3/4	71 5/8	70 3/16	72 11/16
VD	32 15/16	34 1/2	35 1/8	35 1/8
VE	11 7/8	16 5/8	15 9/16	15 9/16
VS	21 1/16	17 7/8	19 3/16	19 3/16
VY	11	11	12	12
HANDHOLE DISCH.	5x7	5x7	5x7	5x7
HANDHOLE SUCT.	6	6	8	8

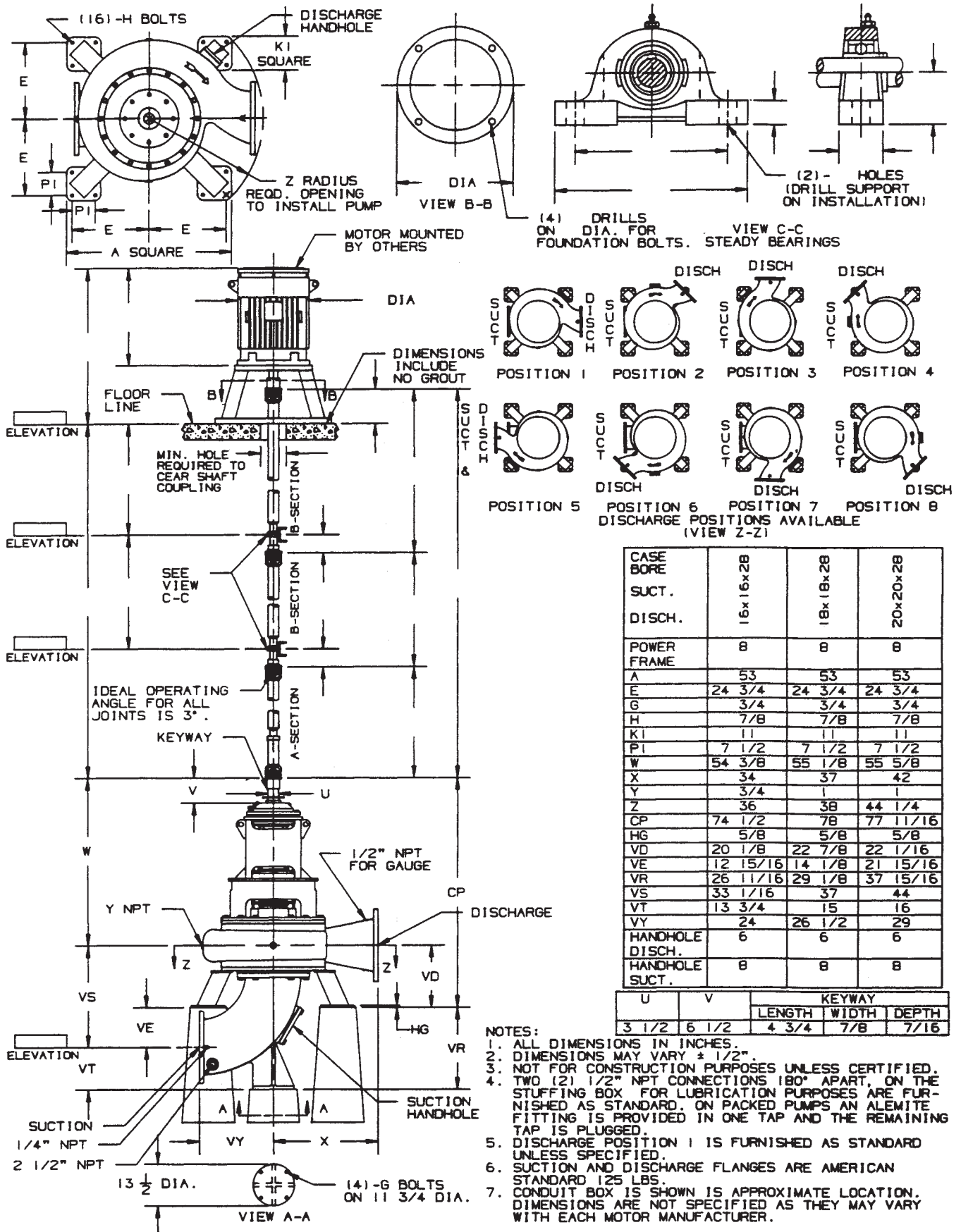
POWER FRAME	U	V	KEYWAY		
			LENGTH	WIDTH	DEPTH
5E, 5F	2 3/8	6 3/8	4	5/8	5/16
5G, 5H	2 7/8	6 5/8	5	3/4	3/8
6D	2 7/8	5 3/4	4	3/4	3/8

- NOTES:
- ALL DIMENSIONS IN INCHES.
  - DIMENSIONS MAY VARY ± 1/2".
  - NOT FOR CONSTRUCTION PURPOSES UNLESS CERTIFIED.
  - TWO (2) 1/2" NPT CONNECTIONS 180° APART, ON THE STUFFING BOX FOR LUBRICATION PURPOSES ARE FURNISHED AS STANDARD. ON PACKED PUMPS AN ALEMITE FITTING IS PROVIDED IN ONE TAP AND THE REMAINING TAP IS PLUGGED.
  - DISCHARGE POSITION 1 IS FURNISHED AS STANDARD UNLESS SPECIFIED.
  - SUCTION AND DISCHARGE FLANGES ARE AMERICAN STANDARD 125 LBS.
  - CONDUIT BOX IS SHOWN IS APPROXIMATE LOCATION. DIMENSIONS ARE NOT SPECIFIED AS THEY MAY VARY WITH EACH MOTOR MANUFACTURER.



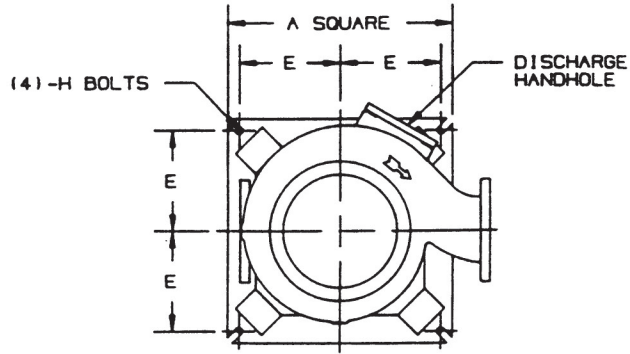
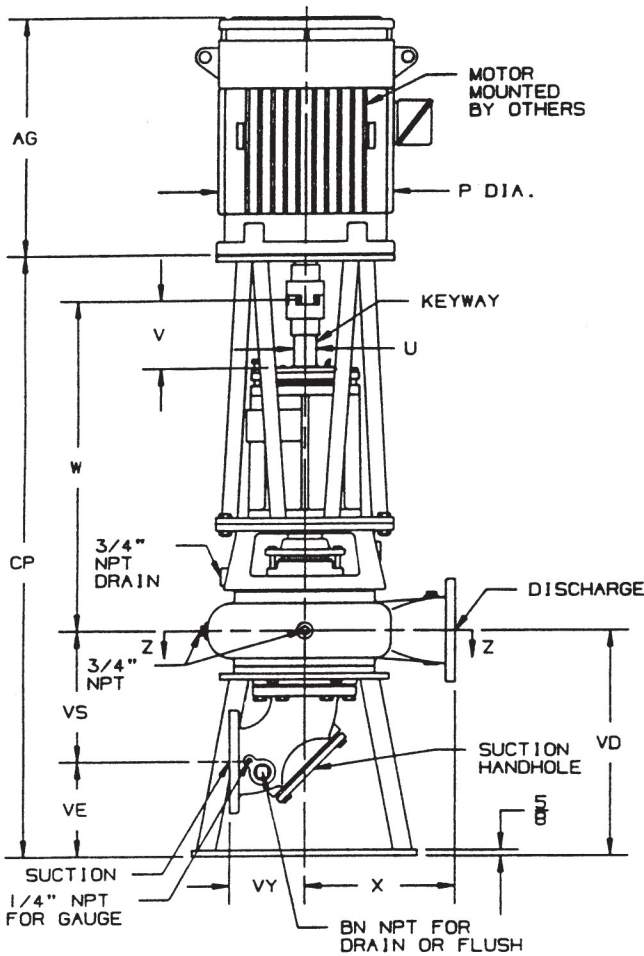
# AURORA® MODEL 612A PUMP

16", 18" & 20" PUMPS  
FLEXIBLE SHAFT

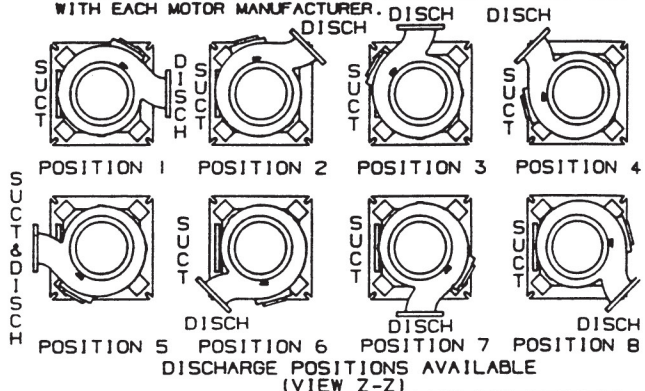


Date October 2017

Supersedes Section 610 Page 210  
Dated October 1992



- NOTES:
1. ALL DIMENSIONS IN INCHES.
  2. DIMENSIONS MAY VARY  $\pm 1/2$ ".
  3. NOT FOR CONSTRUCTION PURPOSES UNLESS CERTIFIED.
  4. TWO (2) 1/2" NPT CONNECTIONS 180° APART, ON THE STUFFING BOX FOR LUBRICATION PURPOSES ARE FURNISHED AS STANDARD. ON PACKED PUMPS AN ALEMITE FITTING IS PROVIDED IN ONE TAP AND THE REMAINING TAP IS PLUGGED.
  5. DISCHARGE POSITION 1 IS FURNISHED AS STANDARD UNLESS SPECIFIED.
  6. SUCTION AND DISCHARGE FLANGES ARE AMERICAN STANDARD 125 LBS.
  7. HEIGHT (AG) AND DIAMETERS (P) DIMENSIONS OF MOTOR WILL VARY BASED ON MAKE AND STYLE OF MOTOR. DIMENSIONS SHOWN REFLECT AURORA STANDARD MOTORS. SEE INDIVIDUAL MOTOR SUPPLIER DIMENSIONAL DATA SHEETS FOR YOUR APPLICATION. CONDUIT BOX IS SHOWN IN APPROXIMATE LOCATION. DIMENSIONS ARE NOT SPECIFIED AS THEY VARY WITH EACH MOTOR MANUFACTURER.



POWER FRAME	U	V	KEYWAY		
			LENGTH	WIDTH	DEPTH
4C, 4D	1 1/4	3 3/16	2	1/4	1/8
5E, 5F 5G, 5H	2 3/8	6 3/8	4	5/8	5/16
6D	2 7/8	6 5/8	5	3/4	3/8
6E	2 7/8	5 3/4	4	3/4	3/8

MOTOR FRAME	254HP TO 256HP	284HPH TO 286HPH	324HP TO 326HP	364HP TO 365HP	404HP TO 405HP	LARGER THAN 405HP
P APPROX.	13	16	18	21	22	REFER TO FACTORY
AG APPROX.	20 21	22 23	25 26	25	28	

DISCH SUCT CASE BORE	POWER FRAME	A	BN	E	H	VY	W	X	CP	VD	VE	VS	HANDHOLE	
													DISCH.	SUCT.
6x6x12	4C, 4D	24	1 1/2	10 3/4	5/8	8	23 5/16	14	51 5/16	24 1/4	10 1/8	14 1/8	5x5	6
6x6x12	5E, 5F	24	1 1/2	10 3/4	5/8	8	34 3/16	14	64	24 1/4	10 1/8	14 1/8	5x5	6
6x6x12B	4C, 4D	24	1 1/2	10 3/4	5/8	8	23 7/16	16	51 5/16	24 1/8	10 1/8	14	5x5	6
6x6x12B	5E, 5F	24	1 1/2	10 3/4	5/8	8	34 5/16	16	64	24 1/8	10 1/8	14	5x5	6
6x8x15	5E, 5F	30	1 1/2	13 3/4	3/4	9	33 3/4	16	71 7/16	32 1/8	17	15 1/8	5x5	6
6x8x15	5E, 5F	30	1 1/2	13 3/4	3/4	9	34 1/16	18	72	32 3/8	17	15 3/8	5x5	6
8x8x15A	5E	30	1 1/2	13 3/4	3/4	9	34 1/8	19	72 1/16	32 3/8	14 1/4	18 1/8	5x7	6
8x10x18	5G, 5H	30	1 1/2	13 3/4	3/4	11	34 5/8	19	73 3/16	33	15 3/16	17 13/16	5x7	6
8x10x22	5G, 5H	37	1 1/2	17	7/8	11	34 5/8	22	74 11/16	34 1/2	16 5/8	17 7/8	5x7	6
10x10x15	5E, 5F	30	1 1/2	13 3/4	3/4	11	34 13/16	20	73 5/16	32 15/16	11 7/8	21 1/16	5x7	6
10x10x22	6E	37	1 1/2	17	7/8	11	37 1/8	22	77 1/16	34 1/2	16 5/8	17 7/8	5x7	6
10x12x22	5G, 5H	37	1 1/2	17	7/8	12	35 1/16	22 1/2	75 3/4	35 1/8	15 9/16	19 3/16	5x7	8
10x12x22	6D	37	1 1/2	17	7/8	12	37 9/16	22 1/2	78 1/8	35 1/8	15 9/16	19 3/16	5x7	8
12x12x22	6E	37	1 1/2	17	7/8	12	37 5/8	22 1/2	78 3/16	35 1/8	15 9/16	19 3/16	5x7	8
12x14x22A	5G, 5H	37	2 1/2	17	7/8	14	35 1/8	24	75 13/16	35 1/8	13 7/8	21 1/4	5x7	8
12x14x22A	6D	37	2 1/2	17	7/8	14	37 5/8	24	78 3/16	35 1/8	13 7/8	21 1/4	5x7	8
12x14x22B	5G, 5H	37	2 1/2	17	7/8	14	35 1/8	24	75 13/16	35 1/8	13 7/8	21 1/4	5x7	8
12x14x22B	6D	37	2 1/2	17	7/8	14	37 5/8	24	78 3/16	35 1/8	13 7/8	21 1/4	5x7	8
14x14x22A	6E	37	2 1/2	17	7/8	14	37 5/8	24	78 3/16	35 1/8	13 7/8	21 1/4	5x7	8

ADD 3/4" TO CP FOR PUMPS ON P.F. 4C, 4D WITH MOTOR FRAMES 284 HPH TO 324 HP.

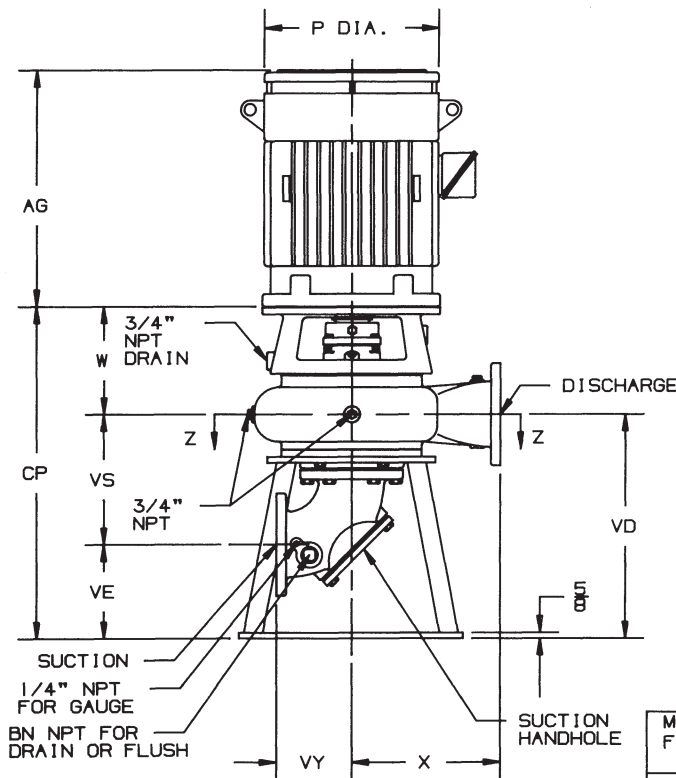
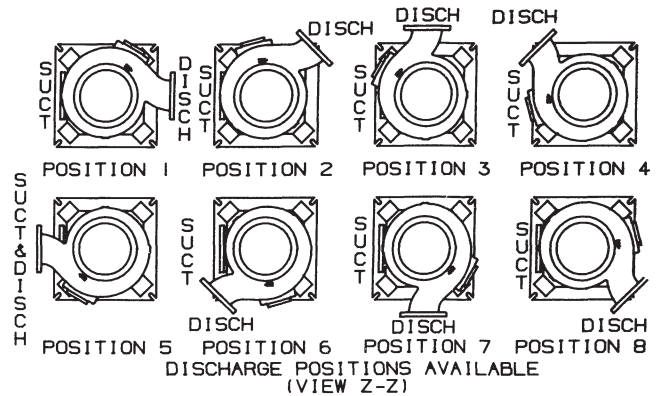
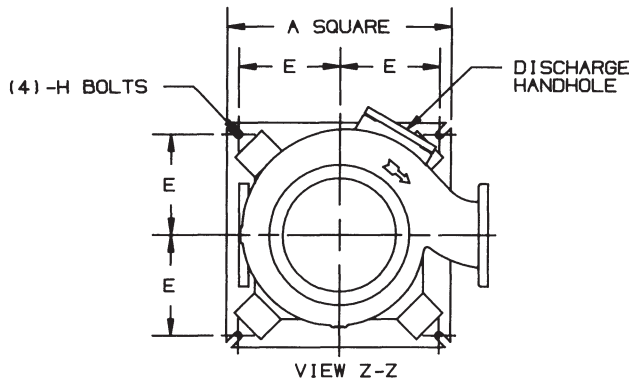
# AURORA® MODEL 614A PUMP

6", 8" & 10" PUMPS

Date **October 2017**

Supersedes Section 610 Page 211

Dated August 1990



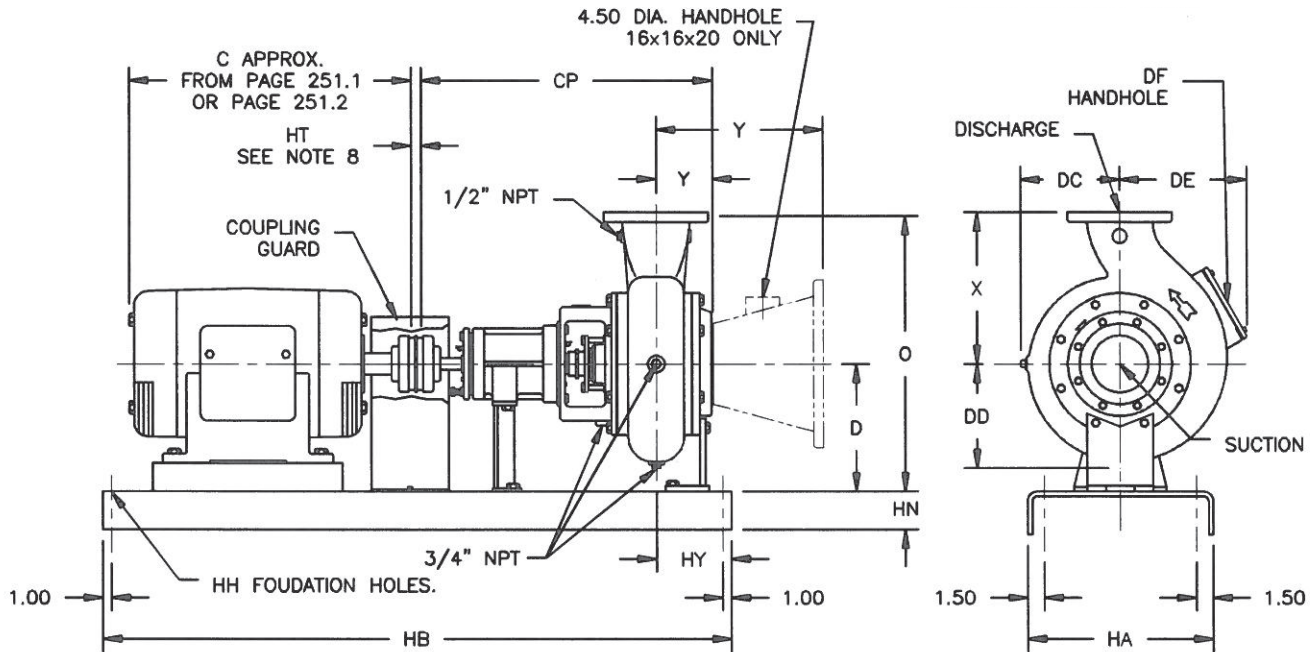
- NOTES:
1. ALL DIMENSIONS IN INCHES.
  2. DIMENSIONS MAY VARY  $\pm 1/2"$ .
  3. NOT FOR CONSTRUCTION PURPOSES UNLESS CERTIFIED.
  4. TWO (2)  $1/2"$  NPT CONNECTIONS  $180^\circ$  APART, ON THE STUFFING BOX FOR LUBRICATION PURPOSES ARE FURNISHED AS STANDARD.
  5. DISCHARGE POSITION 1 IS FURNISHED AS STANDARD UNLESS SPECIFIED.
  6. SUCTION AND DISCHARGE FLANGES ARE AMERICAN STANDARD 125 LBS.
  7. HEIGHT (AG) AND DIAMETERS (P) DIMENSIONS OF MOTOR WILL VARY BASED ON MAKE AND STYLE OF MOTOR. DIMENSIONS SHOWN REFLECT AURORA STANDARD MOTORS. SEE INDIVIDUAL MOTOR SUPPLIER DIMENSIONAL DATA SHEETS FOR YOUR APPLICATION. CONDUIT BOX IS SHOWN IN APPROXIMATE LOCATION. DIMENSIONS ARE NOT SPECIFIED AS THEY VARY WITH EACH MOTOR MANUFACTURER.

MOTOR FRAME	254TCV TO 256TCV	284TCV TO 286TCV	324TCV TO 326TCV	364TCV TO 365TCV	404TCV TO 405TCV	LARGER THAN 405TCV
P APPROX.	13	16	18	21	22	REFER TO FACTORY
AG APPROX.	20 21	22 23	25 26	25	28	

DISCH SUCT CASE BORE	MOTOR SHAFT EXT. TYPE	A	BN	E	H	VY	W	X	CP	VD	VE	VS	HANDHOLE	
													DISCH.	SUCT.
6x6x12	4C, 4D	24	1 1/2	10 3/4	5/8	8	10 1/8	14	34 3/8	24 1/4	10 1/8	14 1/8	5x5	6
6x6x12	5E, 5F	24	1 1/2	10 3/4	5/8	8	11 3/16	14	35 7/16	24 1/4	10 1/8	14 1/8	5x5	6
6x6x12B	4C, 4D	24	1 1/2	10 3/4	5/8	8	10 1/4	16	34 3/8	24 1/8	10 1/8	14	5x5	6
6x6x12B	5E, 5F	24	1 1/2	10 3/4	5/8	8	11 5/16	16	35 7/16	24 1/8	10 1/8	14	5x5	6
6x8x15	5E, 5F	30	1 1/2	13 3/4	3/4	9	10 3/4	16	42 7/8	32 1/8	17	15 1/8	5x5	6
6x8x18	5E, 5F	30	1 1/2	13 3/4	3/4	9	11 1/16	18	43 7/16	32 3/8	17	15 3/8	5x5	6
8x8x15A	5E, 5F	30	1 1/2	13 3/4	3/4	9	11 1/8	19	43 1/2	32 3/8	14 1/4	18 1/8	5x7	6
10x10x15	5E, 5F	30	1 1/2	13 3/4	3/4	11	11 1/16	20	44 5/8	32 15/16	11 7/8	21 1/16	5x7	6

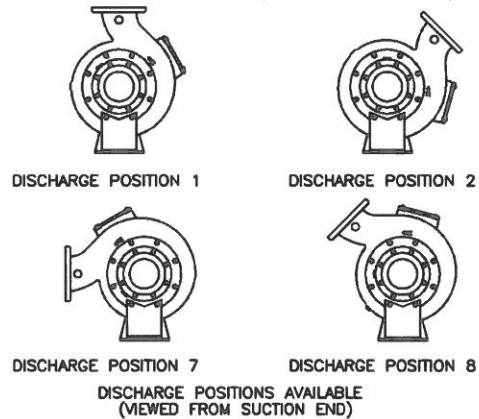
**THIS PAGE LEFT INTENTIONALLY BLANK**





**NOTES:**

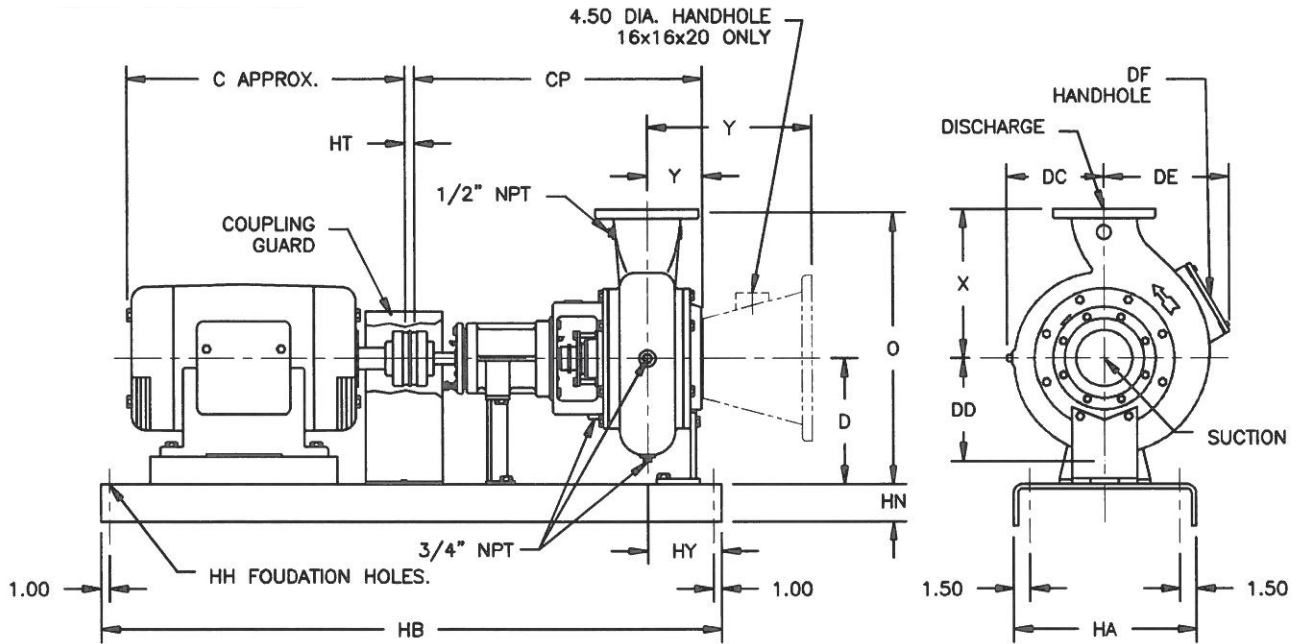
1. ALL DIMENSIONS IN INCHES.
2. DIMENSIONS MAY VARY ± .50".
3. NOT FOR CONSTRUCTION PURPOSES UNLESS CERTIFIED.
4. TWO (2) 1/2" NPT CONNECTIONS 180° APART, ON THE STUFFING BOX FOR LUBRICATION PURPOSES ARE FURNISHED AS STANDARD. ON PACKED PUMPS AN ALEMITE FITTING IS PROVIDED IN ONE TAP AND THE REMAINING TAP IS PLUGGED.
5. DISCHARGE POSITION 1 IS FURNISHED AS STANDARD UNLESS SPECIFIED.
6. SUCTION AND DISCHARGE FLANGES ARE AMERICAN STANDARD 125 LBS.
7. CONDUIT BOX IS SHOWN IS APPROXIMATE LOCATION. DIMENSIONS ARE NOT SPECIFIED AS THEY MAY VARY WITH EACH MOTOR MANUFACTURER.
8. STANDARD COUPLING ILLUSTRATED. "HT" DIMENSION .25"-2.50". SPACER COUPLING "HT" IS 3.50"-9.00".
9. REFER TO PAGE 251.1 FOR STANDARD COUPLING BASE NUMBER SELECTION. REFER TO PAGE 251.2 FOR SPACER COUPLING BASE NUMBER SELECTION.



DISCH SUCT BORE CASE	FRAME POWER	D	O	X	Y	CP	DC	DD	DE	DF	HY	BASE	HA	HB	HH	HN
6x6x12	4C	13.50	27.50	14.00	6.19	29.50	9.50	10.50	13.88	5x5	8.00	3	15.00	54.00	.75	3.38
6x6x12	5E,5F	13.50	27.50	14.00	6.19	40.38	9.50	10.50	13.88	5x5	8.00	4	15.00	60.00	.75	3.38
6x6x12B	4C	13.50	29.50	16.00	6.06	29.50	10.38	11.06	13.88	5x5	8.00	5	15.00	64.00	.75	3.38
6x6x12B	5E,5F	13.50	29.50	16.00	6.06	40.38	10.38	11.06	13.88	5x5	8.00	6	15.00	70.00	.75	3.38
6x8x15	5E,5F	15.25	31.25	16.00	6.13	39.88	11.38	12.50	15.38	5x5	8.00	8	18.00	68.00	.75	4.00
6x8x18	5E,5F	17.50	35.50	18.00	6.44	40.50	13.00	14.38	16.88	5x5	8.00	9	18.00	76.00	.75	4.00
8x8x15A	5F	15.25	34.25	19.00	9.13	43.25	12.63	13.50	15.75	5x7	9.75	10	18.00	84.00	.75	4.00
8x10x18	5G,5H	17.50	36.50	19.00	6.75	41.38	12.88	14.56	16.00	5x7	8.00	16	22.00	72.00	.75	4.00
8x10x22	5G,5H	21.00	43.00	22.00	6.88	41.50	14.88	16.50	17.88	5x7	8.00	17	22.00	84.00	.75	4.00
10x10x15	5E,5F	15.25	35.25	20.00	10.06	44.88	11.63	13.63	17.50	5x7	10.00	18	22.00	96.00	.75	4.00
10x10x22	6E	21.00	43.00	22.00	6.88	44.00	15.00	16.50	18.50	5x7	8.00					
10x12x22	5G,5H	21.00	43.50	22.50	7.19	42.25	15.50	17.88	20.13	5x7	8.00					
10x12x22	6D	21.00	43.50	22.50	7.19	44.75	15.50	17.88	20.13	5x7	8.00					
12x12x22	6E	21.00	43.50	22.50	7.25	44.88	15.63	17.75	21.00	5x7	8.00					
12x14x22A	5G,5H	21.00	45.00	24.00	7.25	42.38	15.88	18.75	22.25	5x7	8.00					
12x14x22A	6D	21.00	45.00	24.00	7.25	44.88	15.88	18.75	22.25	5x7	8.00					
12x14x22B	5G,5H	21.00	45.00	24.00	7.25	42.38	15.88	18.75	22.25	5x7	8.00					
12x14x22B	6D	21.00	45.00	24.00	7.25	44.88	15.88	18.75	22.25	5x7	8.00					
14x14x22A	6E	21.00	45.00	24.00	7.25	44.88	15.88	18.75	22.25	5x7	8.00					
16x16x20	6F	24.00	56.00	32.00	23.50	63.38	17.75	20.50	24.00	6 DIA	10.25					

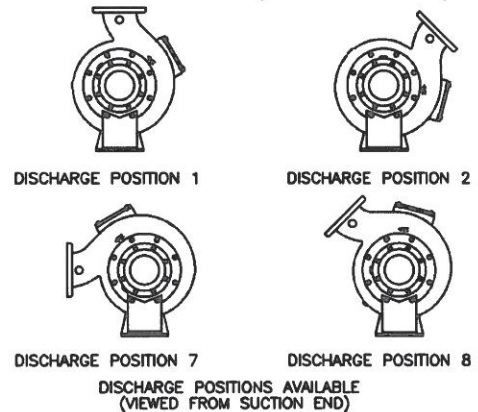
# AURORA® MODEL 611A PUMP FORMED STEEL BASE

BASE SELECTIONS FOR STANDARD COUPLING

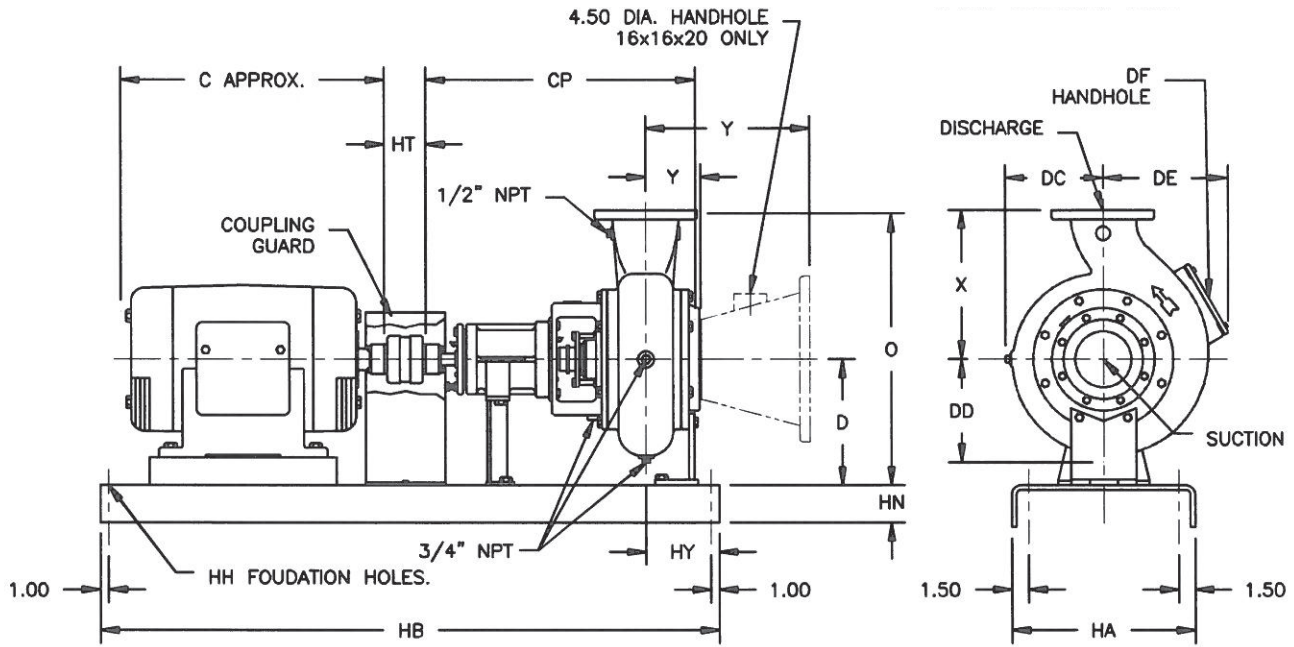


- NOTES:**
1. ALL DIMENSIONS IN INCHES.
  2. DIMENSIONS MAY VARY ± .50".
  3. NOT FOR CONSTRUCTION PURPOSES UNLESS CERTIFIED.
  4. THIS PAGE IS FOR BASE DIMENSIONS FOR ALL OTHER DIMENSIONS REFER TO PAGE 251.

BASE	HA	HB	HH	HN
2	15.00	48.00	.75	3.38
3	15.00	54.00	.75	3.38
4	15.00	60.00	.75	3.38
5	15.00	64.00	.75	3.38
6	15.00	70.00	.75	3.38
8	18.00	68.00	.75	4.00
9	18.00	76.00	.75	4.00
10	18.00	84.00	.75	4.00
16	22.00	72.00	.75	4.00
17	22.00	84.00	.75	4.00
18	22.00	96.00	.75	4.00

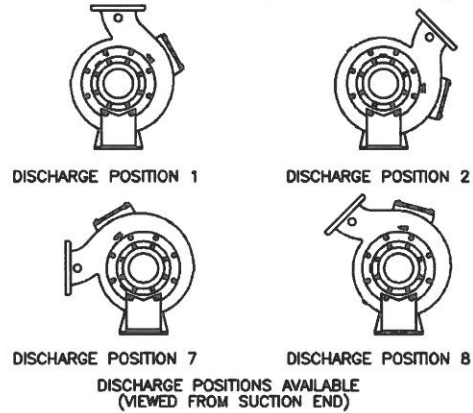


DISCH SUCT BORE CASE	FRAME POWER	FRAME	C																									
			13	14	16	18	21	23	24	22	25	24	26	25	28	26	29	27	30	28	33	30	34	31	38	34	40	36
6x6x12	4C		2	2	2	2	3	3	4	4	4	4	4	4	4	4	4	4	4	4	4	4	4	4	4	4	4	4
6x6x12	5E,5F					5	5	6	6	6	6	6	6	6	6	6	6	6	6	6	6	6	6	6	6	6	6	6
6x6x12B	4C		2	2	2	2	3	3	4	4	4	4	4	4	4	4	4	4	4	4	4	4	4	4	4	4	4	4
6x6x12B	5E,5F					5	5	6	6	6	6	6	6	6	6	6	6	6	6	6	6	6	6	6	6	6	6	6
6x8x15	5E,5F							6	6	6	6	6	6	6	6	6	6	6	6	6	6	6	6	6	6	6	6	6
6x8x18	5E,5F							8	8	8	8	8	8	8	8	8	8	8	8	8	8	8	8	8	8	8	8	8
8x8x15A	5E							6	6	6	6	6	6	6	6	6	6	6	6	6	6	6	6	6	6	6	6	6
8x10x18	5G,5H							8	8	8	8	8	8	8	8	8	8	8	8	8	8	8	8	8	8	8	8	8
8x10x22	5G,5H														16	16	16	16	16	16	16	16	16	16	16	16	16	16
10x10x15	5E,5F														17	17	17	17	17	17	17	17	17	17	17	17	17	17
10x10x22	6E																											
10x12x22	5G,5H														16	16	16	16	16	16	16	16	16	16	16	16	16	16
10x12x22	6D																											
12x12x22	6E																											
12x14x22A	5G,5H														16	16	16	16	16	16	16	16	16	16	16	16	16	16
12x14x22A	6D																											
12x14x22B	5G,5H														16	16	16	16	16	16	16	16	16	16	16	16	16	16
12x14x22B	6D																											
14x14x22A	6E																											
16x16x20	6F																											



- NOTES:  
 1. ALL DIMENSIONS IN INCHES.  
 2. DIMENSIONS MAY VARY ± .50\"/>

BASE	HA	HB	HH	HN
2	15.00	48.00	.75	3.38
3	15.00	54.00	.75	3.38
4	15.00	60.00	.75	3.38
5	15.00	64.00	.75	3.38
6	15.00	70.00	.75	3.38
8	18.00	68.00	.75	4.00
9	18.00	76.00	.75	4.00
10	18.00	84.00	.75	4.00
16	22.00	72.00	.75	4.00
17	22.00	84.00	.75	4.00
18	22.00	96.00	.75	4.00

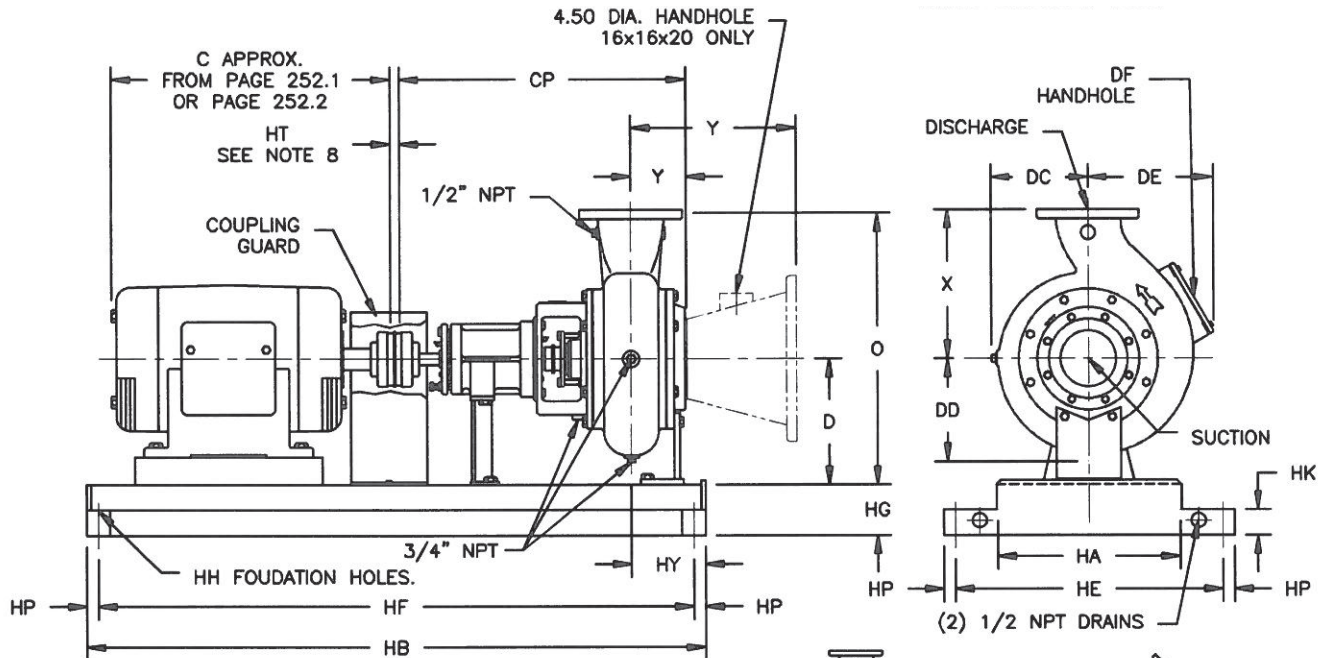


DISCHARGE POSITIONS AVAILABLE  
(VIEWED FROM SUCTION END)

DISCH SUCTION BORE CASE	FRAME POWER	FRAME																										
		182T	184T	213T	215T	254T	256T	284T	284TS	286T	286TS	324T	324TS	326T	326TS	364T	364TS	365T	365TS	404T	404TS	405T	405TS	444T	444TS	445T	445TS	
6x6x12	4C	2	2	3	3	4	4	4	4	4	4	4	4	4	4	4	4	4	4	4	4	4	4	4	4	4	4	4
6x6x12	5F,5F																											
6x6x12B	4C	2	2	3	3	4	4	4	4	4	4	4	4	4	4	4	4	4	4	4	4	4	4	4	4	4	4	4
6x6x12B	5F,5F																											
6x8x15	5F,5F																											
6x8x18	5F,5F																											
8x8x15A	5F																											
8x10x18	5G,5H																											
8x10x22	5G,5H																											
10x10x15	5E,5F																											
10x10x22	6E																											
10x12x22	5G,5H																											
10x12x22	6D																											
12x12x22	6E																											
12x14x22A	5G,5H																											
12x14x22A	6D																											
12x14x22B	5G,5H																											
12x14x22B	6D																											
14x14x22A	6E																											
16x16x20	6F																											

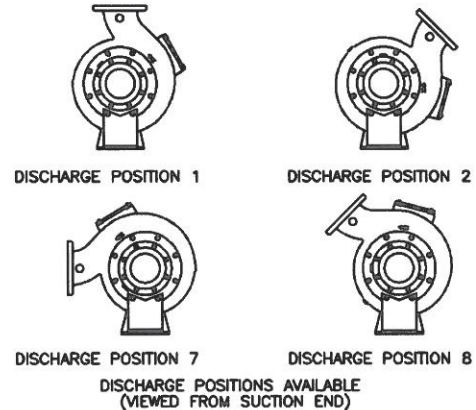
# AURORA® MODEL 611A PUMP

## STEEL DRIP RIM BASE

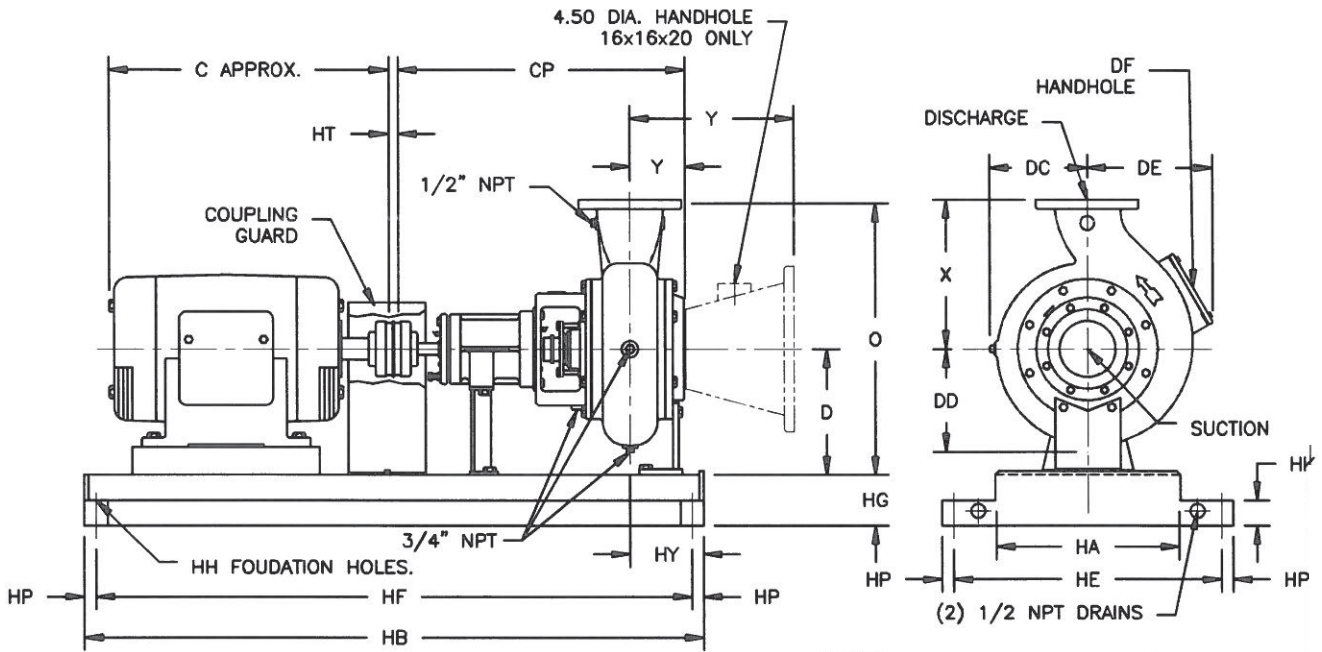


**NOTES:**

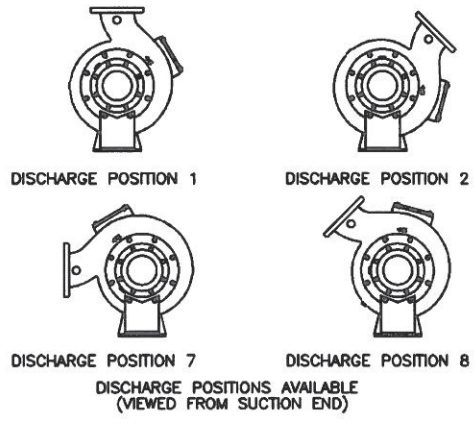
1. ALL DIMENSIONS IN INCHES.
2. DIMENSIONS MAY VARY ± .50".
3. NOT FOR CONSTRUCTION PURPOSES UNLESS CERTIFIED.
4. TWO (2) 1/2" NPT CONNECTIONS 180° APART, ON THE STUFFING BOX FOR LUBRICATION PURPOSES ARE FURNISHED AS STANDARD. ON PACKED PUMPS AN ALEMITE FITTING IS PROVIDED IN ONE TAP AND THE REMAINING TAP IS PLUGGED.
5. DISCHARGE POSITION 1 IS FURNISHED AS STANDARD UNLESS SPECIFIED.
6. SUCTION AND DISCHARGE FLANGES ARE AMERICAN STANDARD 125 LBS.
7. CONDUIT BOX IS SHOWN IS APPROXIMATE LOCATION. DIMENSIONS ARE NOT SPECIFIED AS THEY MAY VARY WITH EACH MOTOR MANUFACTURER.
8. STANDARD COUPLING ILLUSTRATED. "HT" DIMENSION .25"-2.50". SPACER COUPLING "HT" IS 3.50"-9.00".
9. REFER TO PAGE 252.1 FOR STANDARD COUPLING BASE NUMBER SELECTION. REFER TO PAGE 252.2 FOR SPACER COUPLING BASE NUMBER SELECTION.



DISCH SUCT BORE CASE	FRAME POWER	D	O	X	Y	CP	DC	DD	DE	DF	HY	BASE	SIZE	HA	HB	HE
6x6x12	4C	13.50	27.50	14.00	6.19	29.50	9.50	10.50	13.88	5x5	8.00	10	14x56	14.00	56.50	19.00
6x6x12	5E,5F	13.50	27.50	14.00	6.19	40.38	9.50	10.50	13.88	5x5	8.00	13	18x64	18.00	64.50	25.13
6x6x12B	4C	13.50	29.50	16.00	6.06	29.50	10.38	11.06	13.88	5x5	8.00	14	18x72	18.00	72.50	25.13
6x6x12B	5E,5F	13.50	29.50	16.00	6.06	40.38	10.38	11.06	13.88	5x5	8.00	17	22x74	22.00	74.50	29.13
6x8x15	5E,5F	15.25	31.25	16.00	6.13	39.88	11.38	12.50	15.38	5x5	8.00	18	22x82	22.00	82.50	29.13
6x8x18	5E,5F	17.50	35.50	18.00	6.44	40.50	13.00	14.38	16.88	5x5	8.00	19	22x90	22.00	90.50	29.13
8x8x15A	5E	15.25	34.25	19.00	9.13	43.25	12.63	13.50	15.75	5x7	9.75	21	30x110	30.00	110.50	37.13
8x10x18	5G,5H	17.50	36.50	19.00	6.75	41.38	12.88	14.56	16.00	5x7	8.00					
8x10x22	5G,5H	21.00	43.00	22.00	6.88	41.50	14.88	16.50	17.88	5x7	8.00					
10x10x15	5E,5F	15.25	35.25	20.00	10.06	44.88	11.63	13.63	17.50	5x7	11.00					
10x10x22	6E	21.00	43.00	22.00	6.88	44.00	15.00	16.50	18.50	5x7	10.00					
10x12x22	5G,5H	21.00	43.50	22.50	7.19	42.25	15.50	17.88	20.13	5x7	10.00	10	55.00	3.00	1.00	1.50
10x12x22	6D	21.00	43.50	22.50	7.19	44.75	15.50	17.88	20.13	5x7	10.00	13	62.88	4.00	1.13	2.00
12x12x22	6E	21.00	43.50	22.50	7.25	44.88	15.63	17.75	21.00	5x7	10.00	14	70.88	4.00	1.13	2.00
12x14x22A	5G,5H	21.00	45.00	24.00	7.25	42.38	15.88	18.75	22.25	5x7	10.00	17	72.88	4.50	1.13	2.00
12x14x22A	6D	21.00	45.00	24.00	7.25	44.88	15.88	18.75	22.25	5x7	10.00	18	80.88	4.50	1.13	2.00
12x14x22B	5G,5H	21.00	45.00	24.00	7.25	42.38	15.88	18.75	22.25	5x7	10.00	19	88.88	4.50	1.13	2.00
12x14x22B	6D	21.00	45.00	24.00	7.25	44.88	15.88	18.75	22.25	5x7	10.00	21	108.88	4.50	1.13	2.00
14x14x22A	6E	21.00	45.00	24.00	7.25	44.88	15.88	18.75	22.25	5x7	10.00					
16x16x20	6F	24.00	56.00	32.00	23.50	63.38	17.75	20.50	24.00	6 DIA	11.50					



- NOTES:  
 1. ALL DIMENSIONS IN INCHES.  
 2. DIMENSIONS MAY VARY ± .50".  
 3. NOT FOR CONSTRUCTION PURPOSES UNLESS CERTIFIED.  
 4. THIS PAGE IS FOR BASE DIMENSIONS FOR ALL OTHER DIMENSIONS REFER TO PAGE 252.



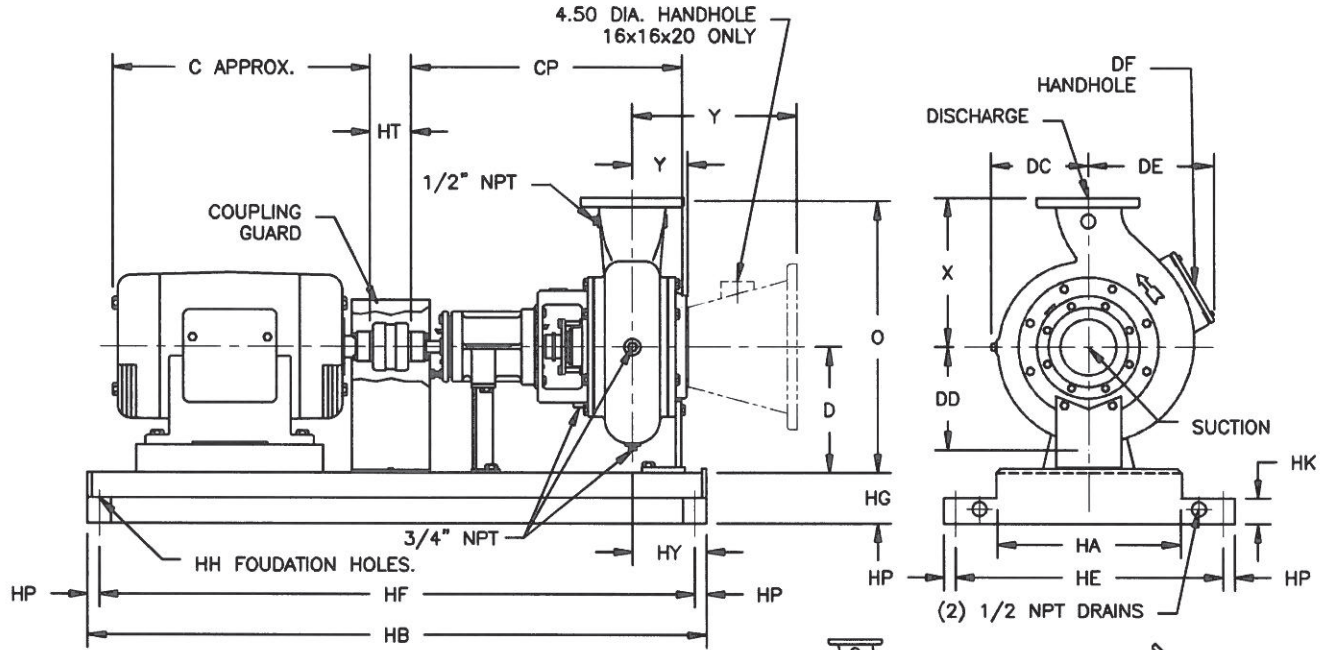
BASE	SIZE	HA	HB	HE	HF	HG	HH	HK	HP
9	14x48	14.00	48.50	19.00	57.00	3.00	1.00	1.50	.75
10	14x56	14.00	56.50	19.00	55.00	3.00	1.00	1.50	.75
13	18x64	18.00	64.50	25.13	62.88	4.00	1.13	2.00	.81
14	18x72	18.00	72.50	25.13	70.88	4.00	1.13	2.00	.81
17	22x74	22.00	74.50	29.13	72.88	4.50	1.13	2.00	.81
18	22x82	22.00	82.50	29.13	80.88	4.50	1.13	2.00	.81
19	22x90	22.00	90.50	29.13	88.88	4.50	1.13	2.00	.81
21	30x110	30.00	110.50	37.13	108.88	4.50	1.13	2.00	.81

DISCH SUCT BORE CASE	FRAME POWER	FRAME	FRAME POWER																										
			182T	184T	213T	215T	254T	256T	284T	284TS	286T	286TS	324T	324TS	326T	326TS	364T	364TS	365T	365TS	404T	404TS	405T	405TS	444T	444TS	445T	445TS	
		C	13	14	16	18	21	23	24	22	25	24	26	25	28	26	29	27	30	28	33	30	34	31	38	34	40	36	
6x6x12	4C		9	9	9	9	10	10	10	10	10																		
6x6x12	5E,5F					13	14	14	14	14	14	14	14	14	14	14	14	14	14	14	14	18	18						
6x6x12B	4C		9	9	9	9	10	10	10	10	10																		
6x6x12B	5F,5F					13	14	14	14	14	14	14	14	14	14	14	14	14	14	14	14	18	18						
6x8x15	5E,5F								14	14	14	14	14	14	14	14	14	14	14	14	14	18	18	18	18	18	18	18	18
6x8x18	5E,5F								14	14	14	14	14	14	14	14	14	14	14	14	14	18	18	18	18	18	18	18	18
8x8x15A	5E								14	14	14	14	14	14	14	14	14	14	14	14	14	18	18	18	18	18	18	18	18
8x10x18	5G,5H								14	14	14	14	14	14	14	14	14	14	14	14	14	18	18	18	18	18	18	18	18
8x10x22	5G,5H														17	17	17	17	17	17	17	18	18	18	18	18	18	18	18
10x10x15	5E,5F								17	17	17	17	17	17	17	17	17	17	17	17	17	18	18	18	18	18	18	18	18
10x10x22	6E																					18	18	18	18	18	18	18	18
10x12x22	5G,5H														17	17	17	17	17	17	17	18	18	18	18	18	18	18	18
10x12x22	6D																					18	18	18	18	18	18	18	18
12x12x22	6E																					18	18	18	18	18	18	18	18
12x14x22A	5G,5H														17	17	17	17	17	17	17	18	18	18	18	18	18	18	18
12x14x22A	6D																					18	18	18	18	18	18	18	18
12x14x22B	5G,5H														17	17	17	17	17	17	17	18	18	18	18	18	18	18	18
12x14x22B	6D																					18	18	18	18	18	18	18	18
14x14x22A	6E																					18	18	18	18	18	18	18	18
16x16x20	6F																					18	18	18	18	18	18	18	18

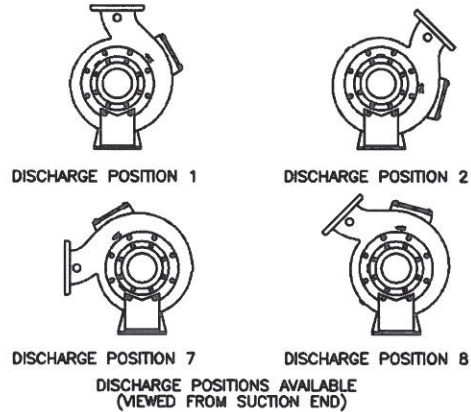
# AURORA® MODEL 611A PUMP

## STEEL DRIP RIM BASE

### BASE SELECTIONS FOR OPTIONAL SPACER COUPLING



- NOTES:  
 1. ALL DIMENSIONS IN INCHES.  
 2. DIMENSIONS MAY VARY ± .50".  
 3. NOT FOR CONSTRUCTION PURPOSES UNLESS CERTIFIED.  
 4. THIS PAGE IS FOR BASE DIMENSIONS FOR ALL OTHER DIMENSIONS REFER TO PAGE 252.



BASE	SIZE	HA	HB	HE	HF	HG	HH	HK	HP
9	14x48	14.00	48.50	19.00	57.00	3.00	1.00	1.50	.75
10	14x56	14.00	56.50	19.00	55.00	3.00	1.00	1.50	.75
13	18x64	18.00	64.50	25.13	62.88	4.00	1.13	2.00	.81
14	18x72	18.00	72.50	25.13	70.88	4.00	1.13	2.00	.81
17	22x74	22.00	74.50	29.13	72.88	4.50	1.13	2.00	.81
18	22x82	22.00	82.50	29.13	80.88	4.50	1.13	2.00	.81
19	22x90	22.00	90.50	29.13	88.88	4.50	1.13	2.00	.81
21	30x110	30.00	110.50	37.13	108.88	4.50	1.13	2.00	.81

DISCH SUCT BORE CASE	FRAME POWER	FRAME																										
		182T	184T	213T	215T	254T	256T	284T	284TS	286T	286TS	324T	324TS	326T	326TS	364T	364TS	365T	365TS	404T	404TS	405T	405TS	444T	444TS	445T	445TS	
6x6x12	4C	9	9	10	10	10	13	13	13	13	13	13	13	13	13	13	13	13	13	13	13	13	13	13	13	13	13	13
6x6x12	5E,5F				14	14	14	14	14	17	17	17	17	17	17	17	17	17	17	17	17	17	17	17	17	17	17	17
6x6x12B	4C	9	9	10	10	10	13	13	13	13	13	13	13	13	13	13	13	13	13	13	13	13	13	13	13	13	13	13
6x6x12B	5E,5F				14	14	14	14	14	17	17	17	17	17	17	17	17	17	17	17	17	17	17	17	17	17	17	17
6x8x15	5E,5F						13	14	14	17	17	17	17	17	17	17	17	17	17	17	17	17	17	17	17	17	17	17
6x8x18	5E,5F									17	17	17	17	17	17	17	17	17	17	17	17	17	17	17	17	17	17	17
8x8x15A	5E						17	17	17	17	17	17	17	17	17	17	17	17	17	17	17	17	17	17	17	17	17	17
8x10x18	5G,5H									18	18	18	18	18	18	18	18	18	18	18	18	18	18	18	18	18	18	18
8x10x22	5G,5H										18	18	18	18	18	18	18	18	18	18	18	18	18	18	18	18	18	18
10x10x15	5E,5F						18	18	18	18	18	18	18	18	18	18	18	18	18	18	18	18	18	18	18	18	18	18
10x10x22	6E										19	19	19	19	19	19	19	19	19	19	19	19	19	19	19	19	19	19
10x12x22	5G,5H											18	18	18	18	18	18	18	18	18	18	18	18	18	18	18	18	18
10x12x22	6D											19	19	19	19	19	19	19	19	19	19	19	19	19	19	19	19	19
12x12x22	6E											19	19	19	19	19	19	19	19	19	19	19	19	19	19	19	19	19
12x14x22A	5G,5H											18	18	18	18	18	18	18	18	18	18	18	18	18	18	18	18	18
12x14x22A	6D											19	19	19	19	19	19	19	19	19	19	19	19	19	19	19	19	19
12x14x22B	5G,5H											18	18	18	18	18	18	18	18	18	18	18	18	18	18	18	18	18
12x14x22B	6D											19	19	19	19	19	19	19	19	19	19	19	19	19	19	19	19	19
14x14x22A	6E											19	19	19	19	19	19	19	19	19	19	19	19	19	19	19	19	19
16x16x20	6F												19	19	21	21	21	21	21	21	21	21	21	21	21	21	21	21

# AURORA MODEL 611A PUMP FORMED STEEL BASE

SECTION 610 PAGE 351  
DATED OCTOBER 1992  
SUPERSEDES PAGE 351  
DATED NOVEMBER 1988

TABLE 1

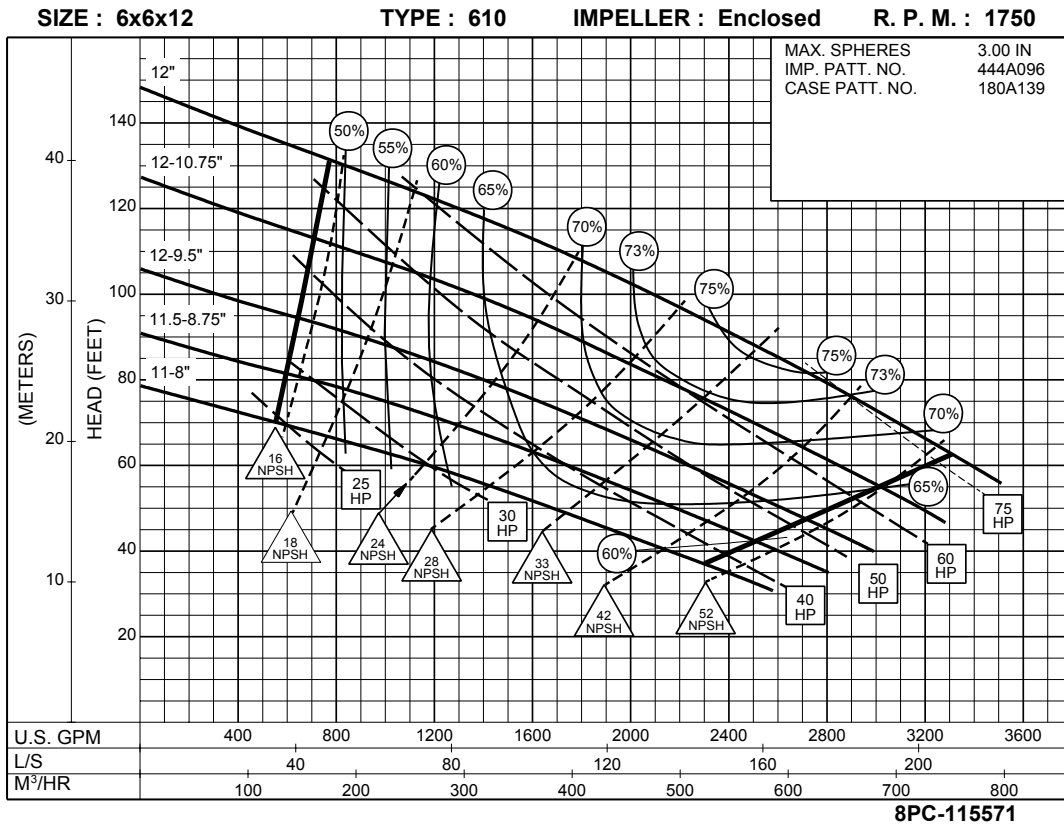
DISCH. CASE BORE SUCT.	POWER FRAME	MOTOR FRAME	254T	256T	284TS	284T	286TS	286T
			C	21	23	22	24	24
6x6x12	4	BASE	3	3	3	4	4	4
		HY	8	8	8	8	8	8
6x6x12B	4	BASE	3	3	3	4	4	4
		HY	8	8	8	8	8	8
6x6x12	5	BASE			5	6	6	6
		HY			8	8	8	8
6x6x12B	5	BASE			5	6	6	6
		HY			8	8	8	8
6x8x15	5	BASE			5	6	6	6
		HY			8	8	8	8
6x8x18	5	BASE			8	8	8	8
		HY			8	8	8	8
8x8x15A	5	BASE		6	6	6	6	6
		HY		9 3/4	9 3/4	9 3/4	9 3/4	9 3/4
8x10x18	5	BASE			8	8	8	8
		HY			8	8	8	8
8x10x22	5	BASE						
		HY						
10x10x15	5	BASE			6	6	6	6
		HY			10	10	10	10
10x12x22	5	BASE						
		HY						
12x14x22A	5	BASE						
		HY						
12x14x22B	5	BASE						
		HY						
16x16x20	6	BASE						
		HY						

DISCH. CASE BORE SUCT.	POWER FRAME	MOTOR FRAME	324TS	324T	326TS	326T	364TS	364T	365TS	365T
			C	25	26	26	28	27	29	28
6x6x12	4	BASE	4	4						
		HY	8	8						
6x6x12B	4	BASE	4	4						
		HY	8	8						
6x6x12	5	BASE	8	8	8	9	16	16	16	16
		HY	8	8	8	8	8	8	8	8
6x6x12B	5	BASE	8	8	8	9	16	16	16	16
		HY	8	8	8	8	8	8	8	8
6x8x15	5	BASE	8	8	8	9	9	9	9	17
		HY	8	8	8	8	8	8	8	8
6x8x18	5	BASE	8	8	8	9	16	16	16	16
		HY	8	8	8	8	8	8	8	8
8x8x15A	5	BASE	9	9	9	9	16	16	16	16
		HY	9 3/4	9 3/4	9 3/4	9 3/4	9 3/4	9 3/4	9 3/4	9 3/4
8x10x18	5	BASE	8	8	8	9	16	16	16	16
		HY	8	8	8	8	8	8	8	8
8x10x22	5	BASE	16	16	16	16	16	16	16	16
		HY	8	8	8	8	8	8	8	8
10x10x15	5	BASE	9	9	9	9	17	17	17	17
		HY	10	10	10	10	10	10	10	10
10x12x22	5	BASE					16	16	16	17
		HY					8	8	8	8
12x14x22A	5	BASE					16	16	16	17
		HY					8	8	8	8
12x14x22B	5	BASE					16	16	16	17
		HY					8	8	8	8
16x16x20	6	BASE					17	17	17	17
		HY					10 1/4	10 1/4	10 1/4	10 1/4

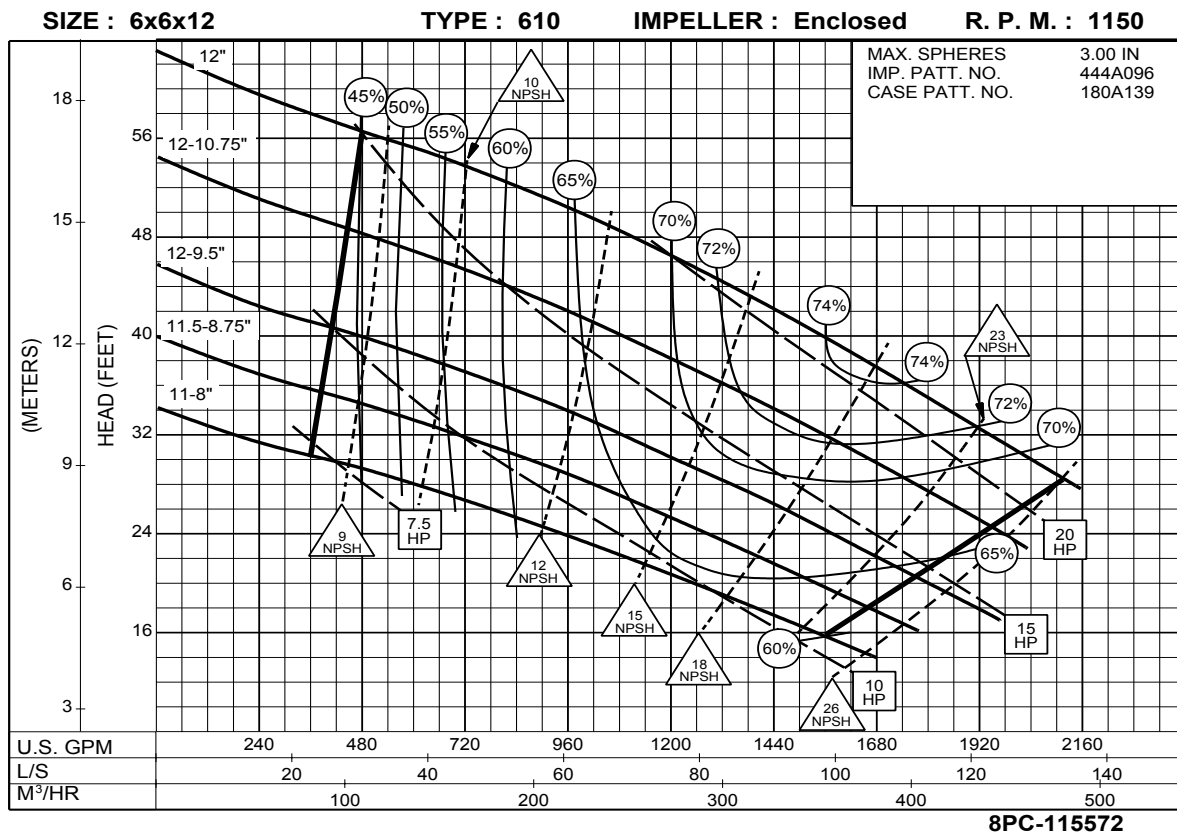
NOTES:  
1. ALL DIMENSIONS IN INCHES.  
2. NOT FOR CONSTRUCTION PURPOSES UNLESS CERTIFIED.

# 6 x 6 x 12 SERIES 610

## ENCLOSED IMPELLER



**1750  
RPM**



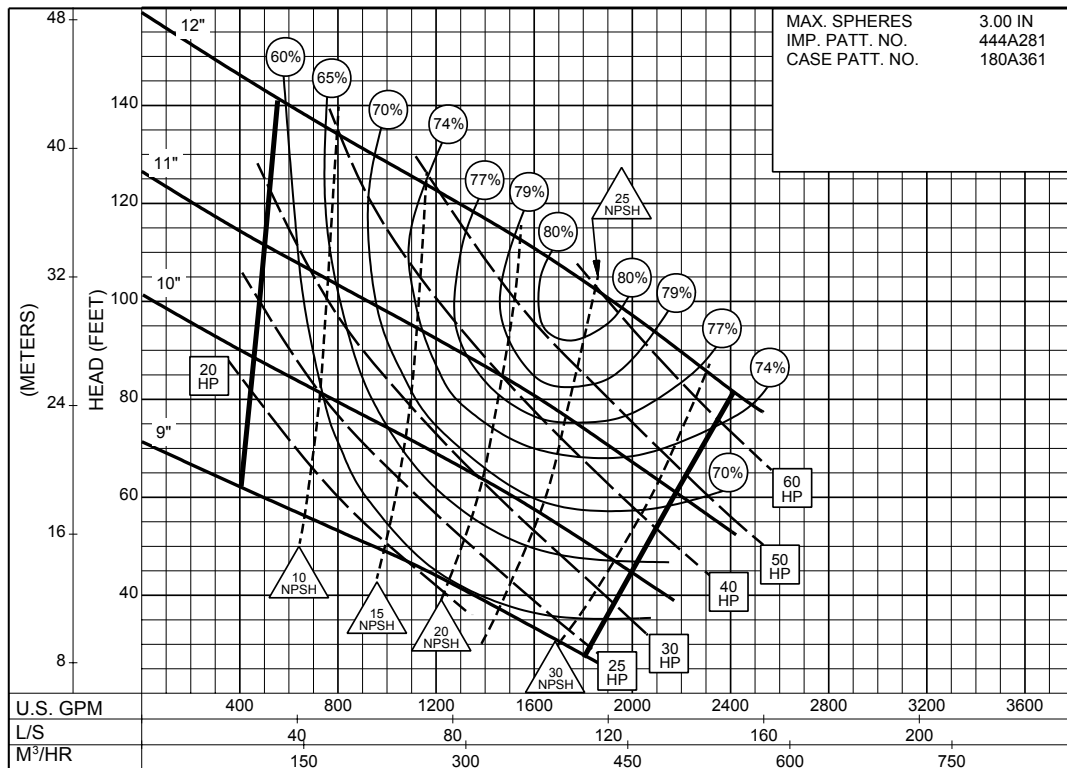
**1150  
RPM**



**6 x 6 x 12B**  
**SERIES 610**

ENCLOSED IMPELLER

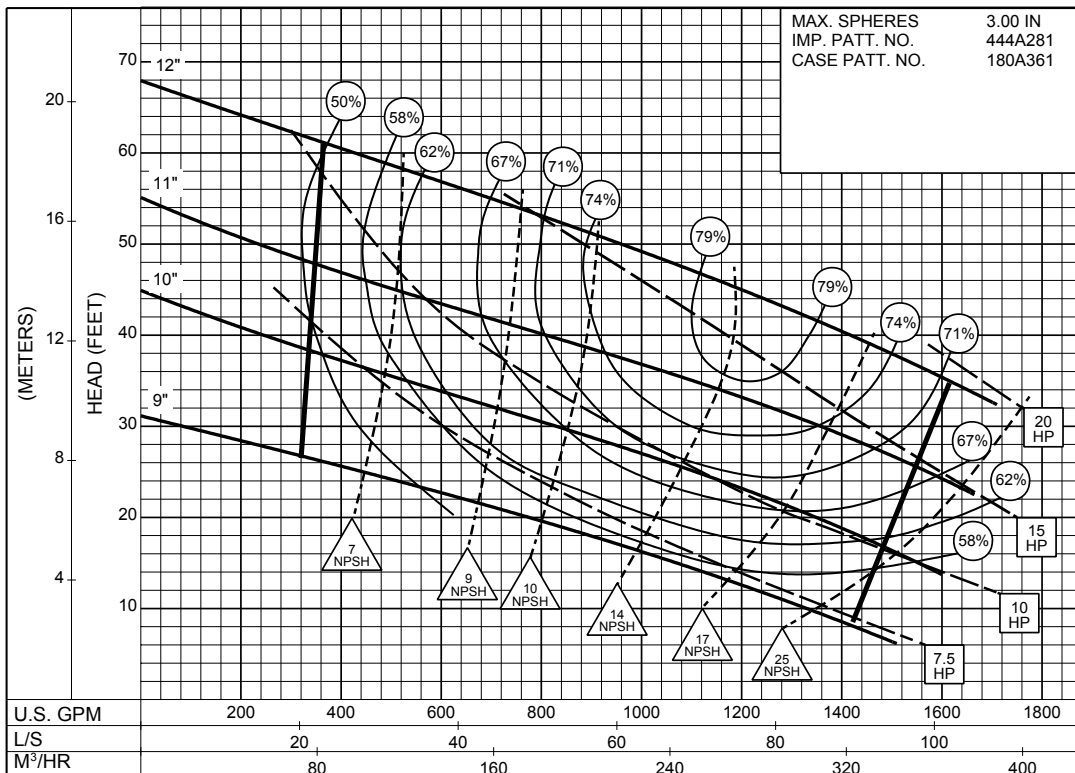
SIZE : 6x6x12B TYPE : 610 IMPELLER : Enclosed R. P. M. : 1750



8PC-144962

**1750**  
RPM

SIZE : 6x6x12B TYPE : 610 IMPELLER : Enclosed R. P. M. : 1150

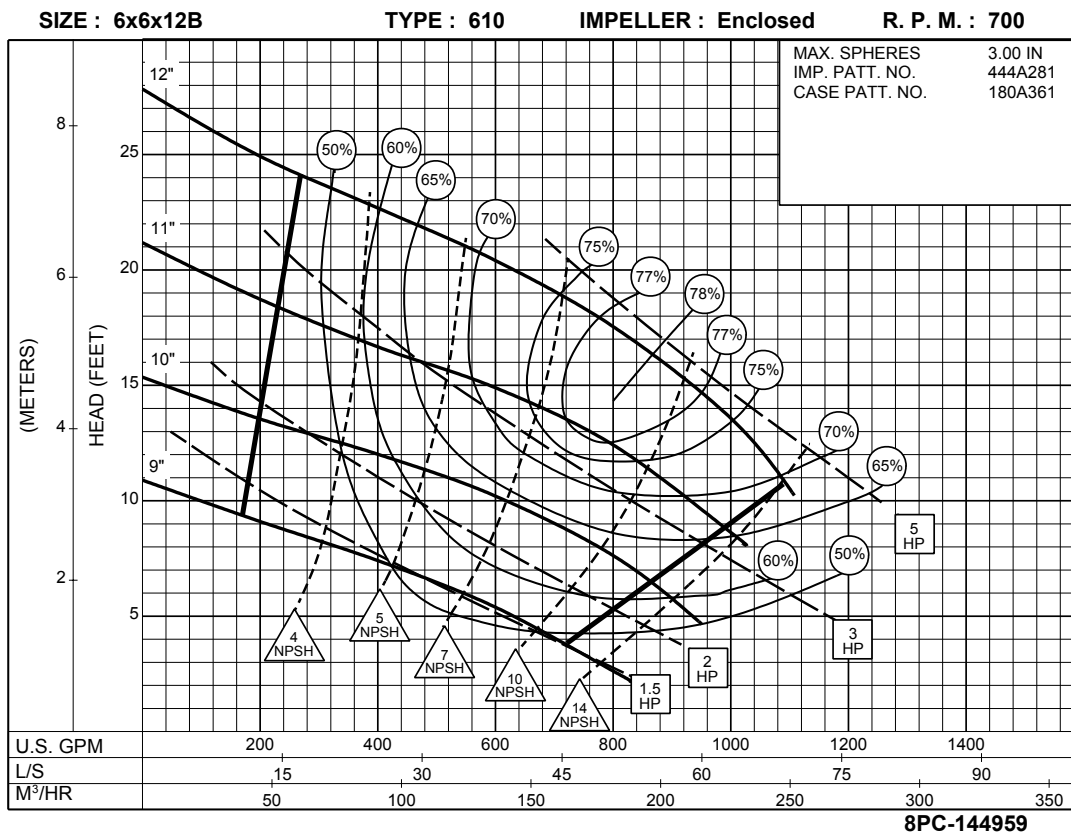
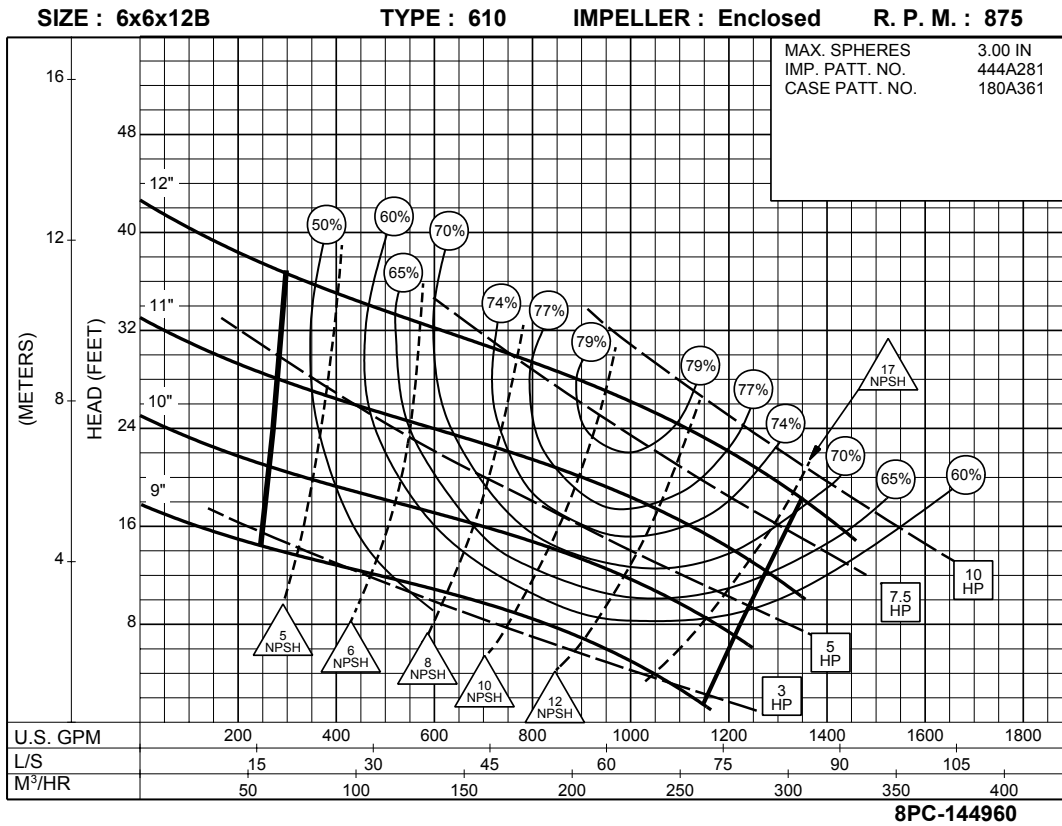


8PC-151595

**1150**  
RPM

# 6 x 6 x 12B SERIES 610

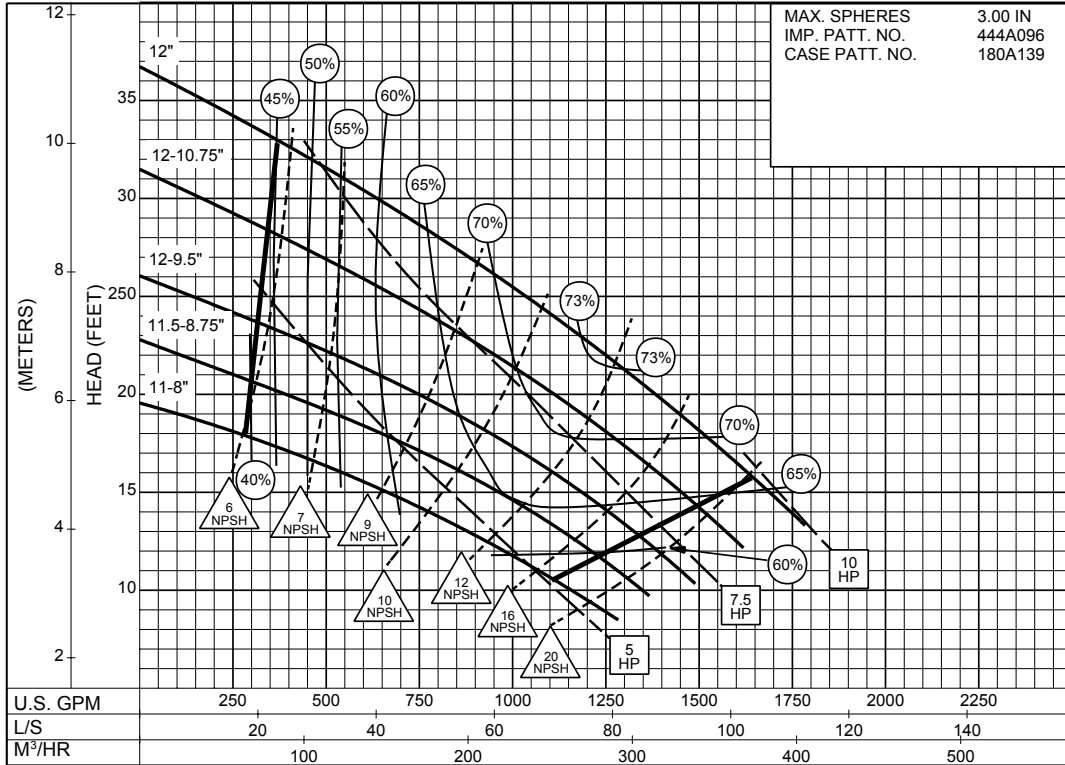
## ENCLOSED IMPELLER



**6 x 6 x 12**  
**SERIES 610**

ENCLOSED IMPELLER

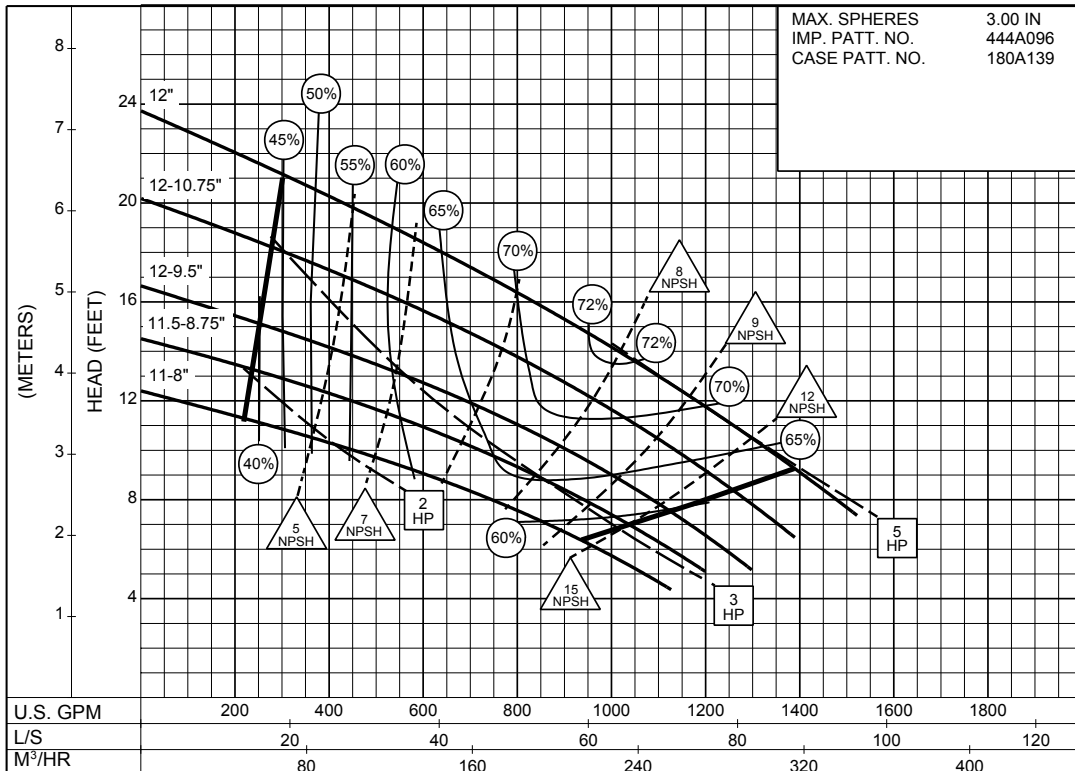
SIZE : 6x6x12 TYPE : 610 IMPELLER : Enclosed R. P. M. : 875



8PC-115573

**875**  
RPM

SIZE : 6x6x12 TYPE : 610 IMPELLER : Enclosed R. P. M. : 700



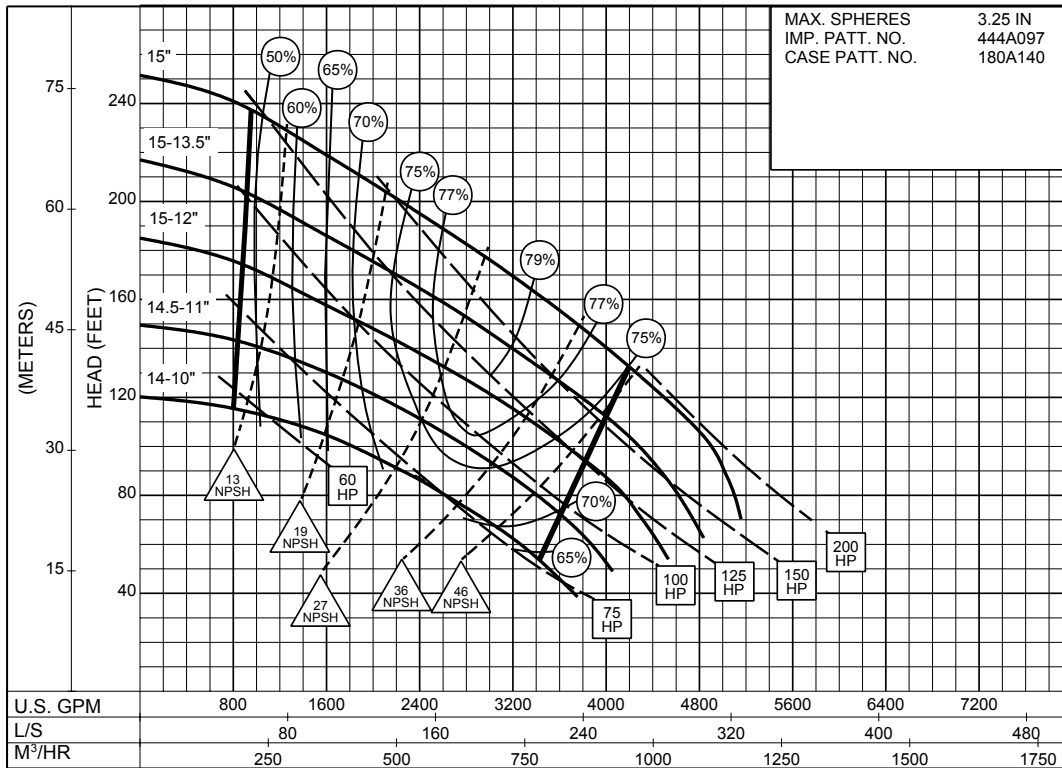
8PC-115574

**700**  
RPM

# 6 x 8 x 15 SERIES 610

ENCLOSED IMPELLER

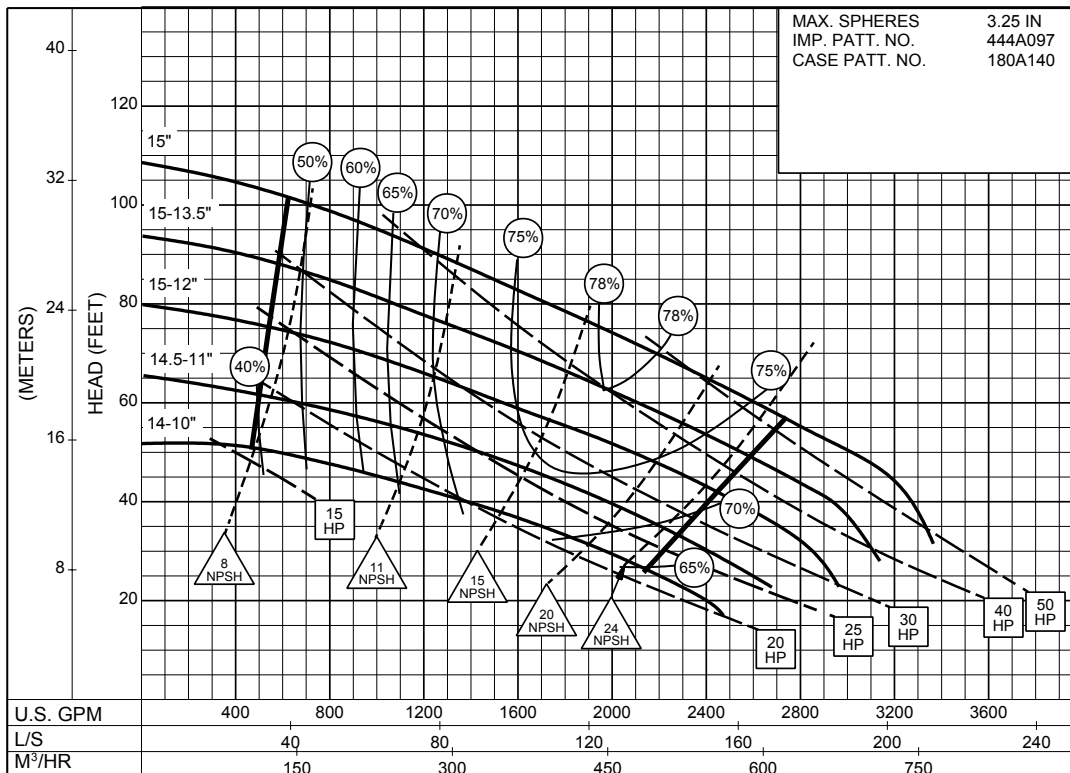
SIZE : 6x8x15 TYPE : 610 IMPELLER : Enclosed R. P. M. : 1750



8PC-115575

**1750**  
RPM

SIZE : 6x8x15 TYPE : 610 IMPELLER : Enclosed R. P. M. : 1150



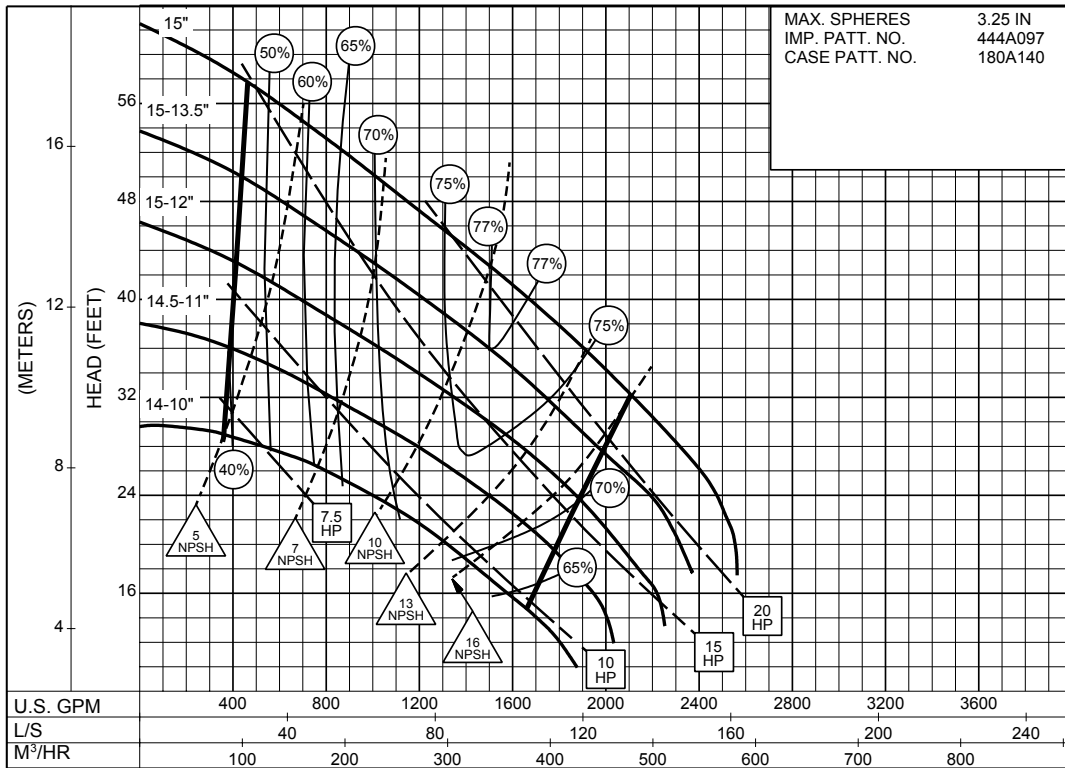
8PC-115576

**1150**  
RPM

# 6 x 8 x 15 SERIES 610

## ENCLOSED IMPELLER

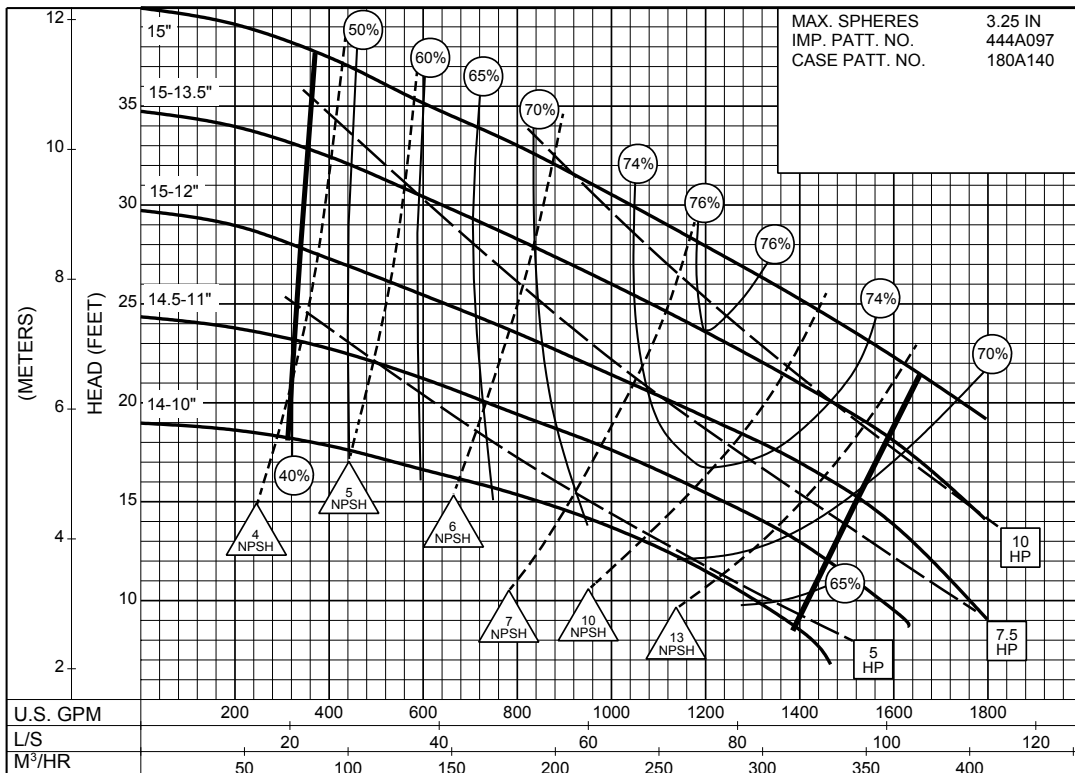
SIZE : 6x8x15      TYPE : 610      IMPELLER : Enclosed      R. P. M. : 875



8PC-115577

**875**  
RPM

SIZE : 6x8x15      TYPE : 610      IMPELLER : Enclosed      R. P. M. : 700



8PC-115578

**700**  
RPM

# 6 x 8 x 15 SERIES 610

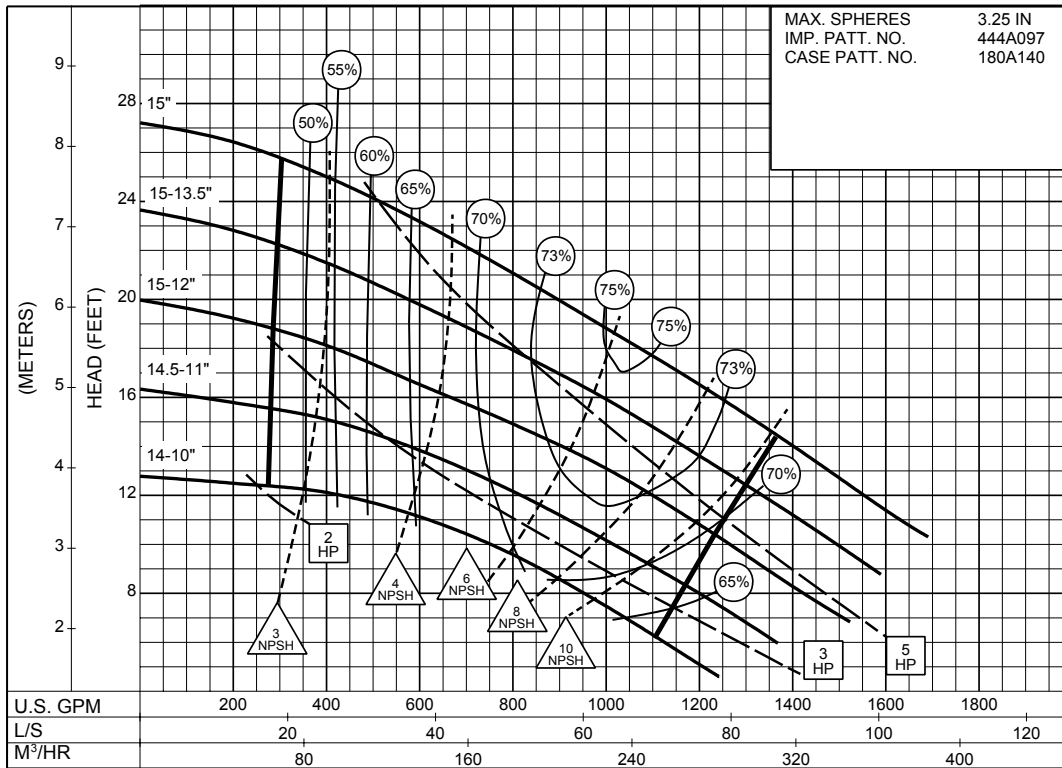
ENCLOSED IMPELLER

SIZE : 6x8x15

TYPE : 610

IMPELLER : Enclosed

R. P. M. : 580



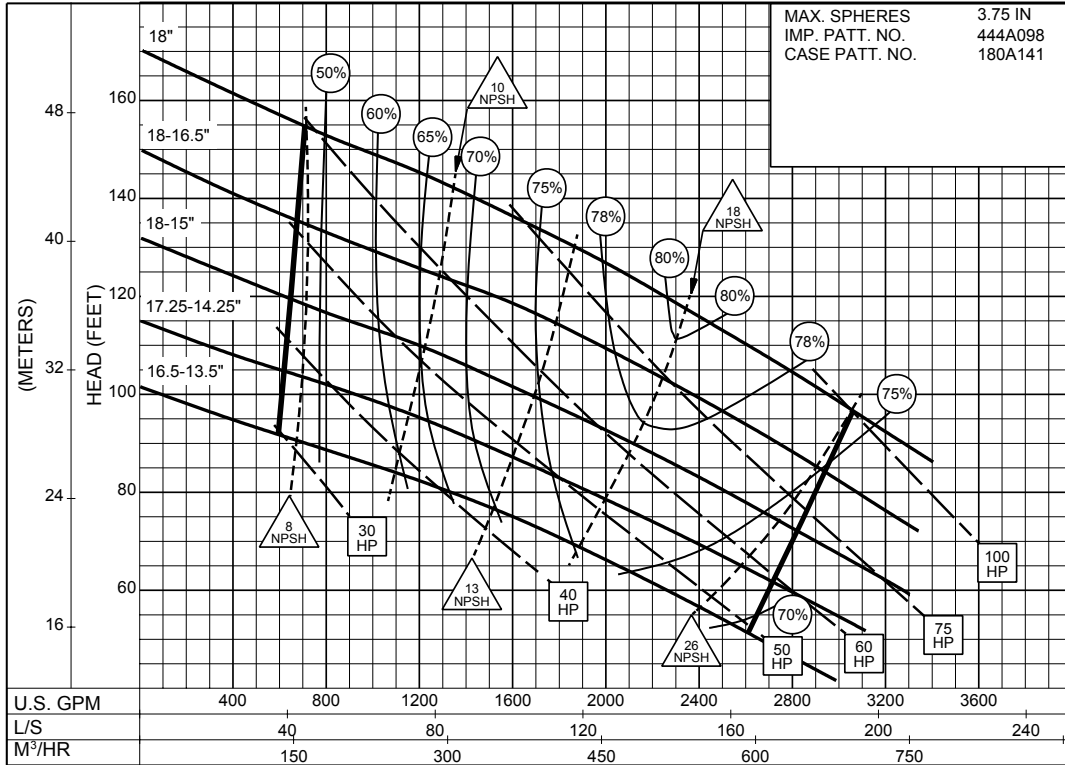
**580**  
RPM

8PC-115579

**6 x 8 x 18**  
**SERIES 610**

ENCLOSED IMPELLER

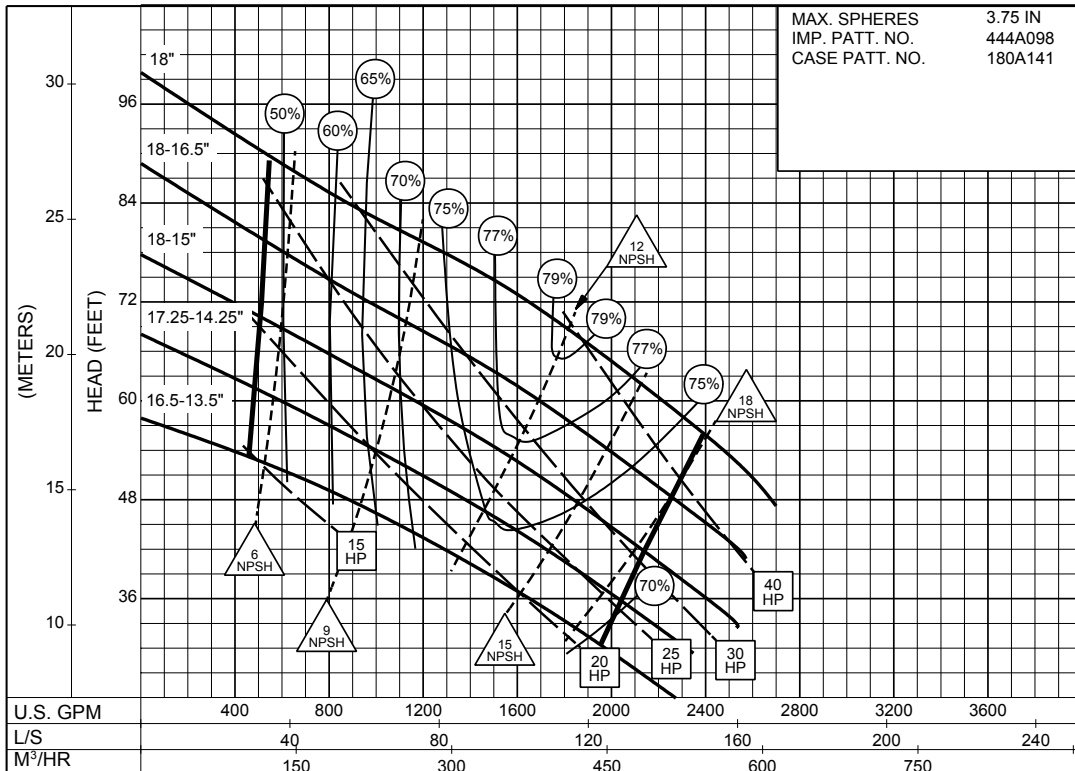
SIZE : 6x8x18 TYPE : 610 IMPELLER : Enclosed R. P. M. : 1150



**1150**  
RPM

8PC-115580

SIZE : 6x8x18 TYPE : 610 IMPELLER : Enclosed R. P. M. : 875

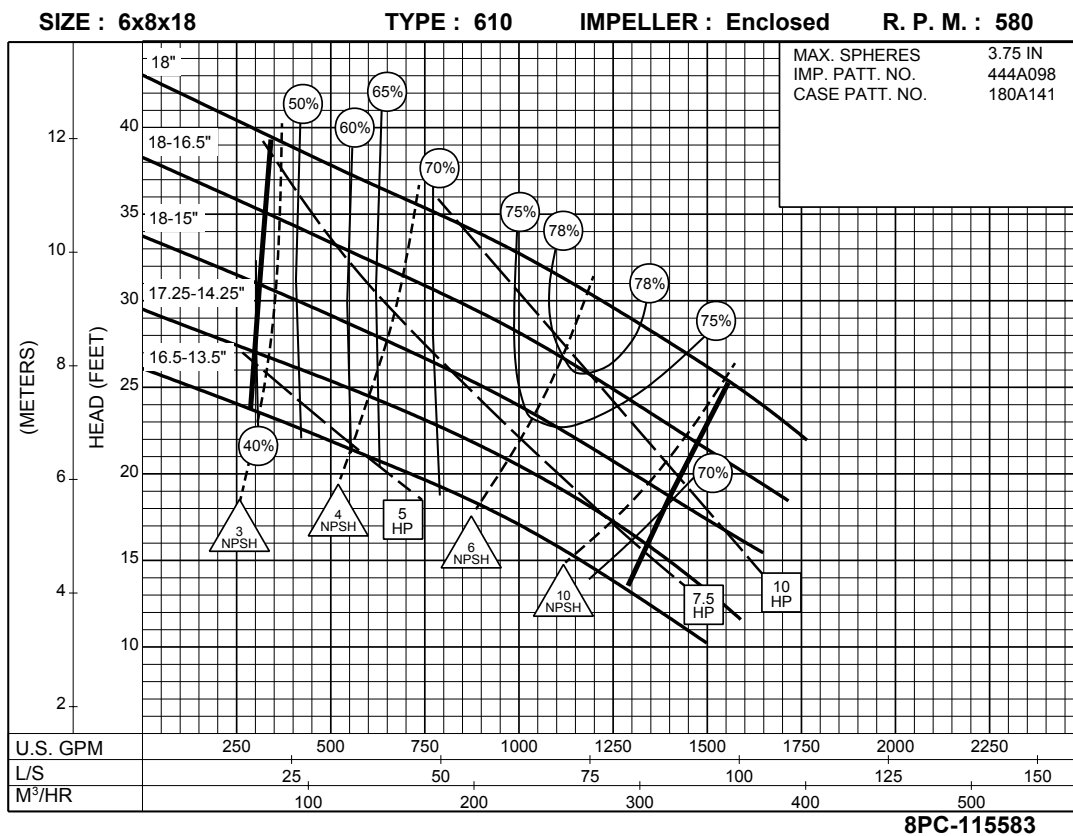
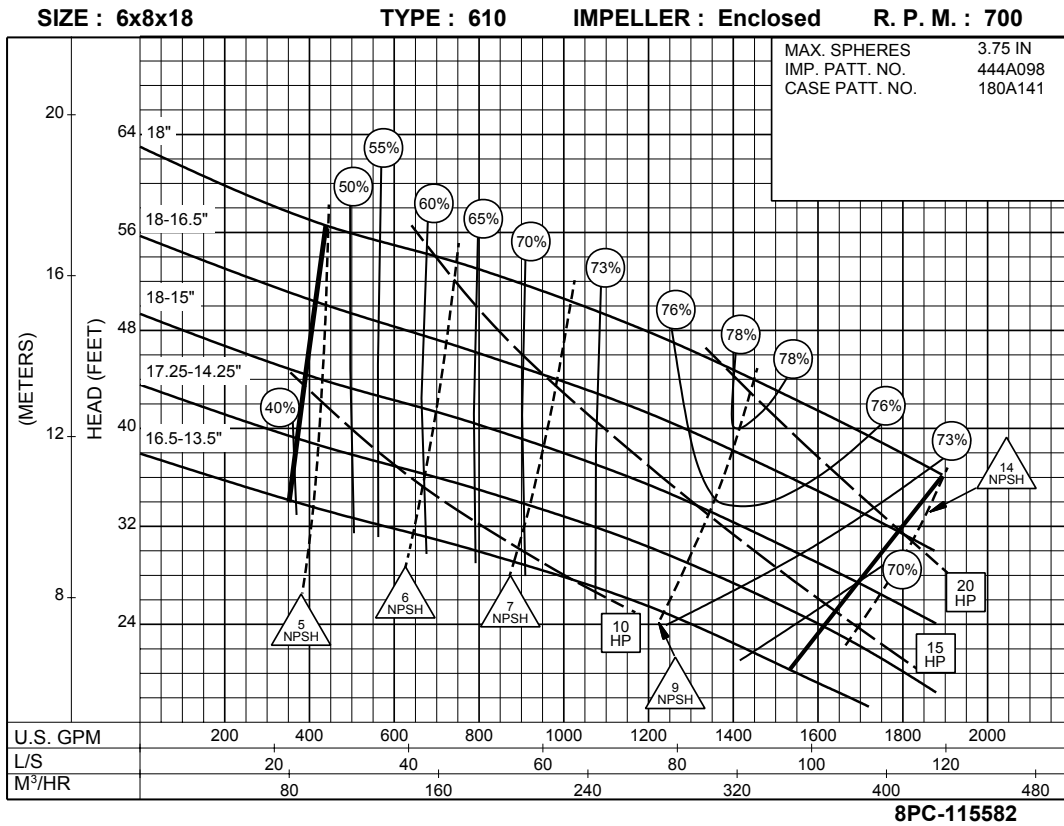


**875**  
RPM

8PC-115581

# 6 x 8 x 18 SERIES 610

## ENCLOSED IMPELLER

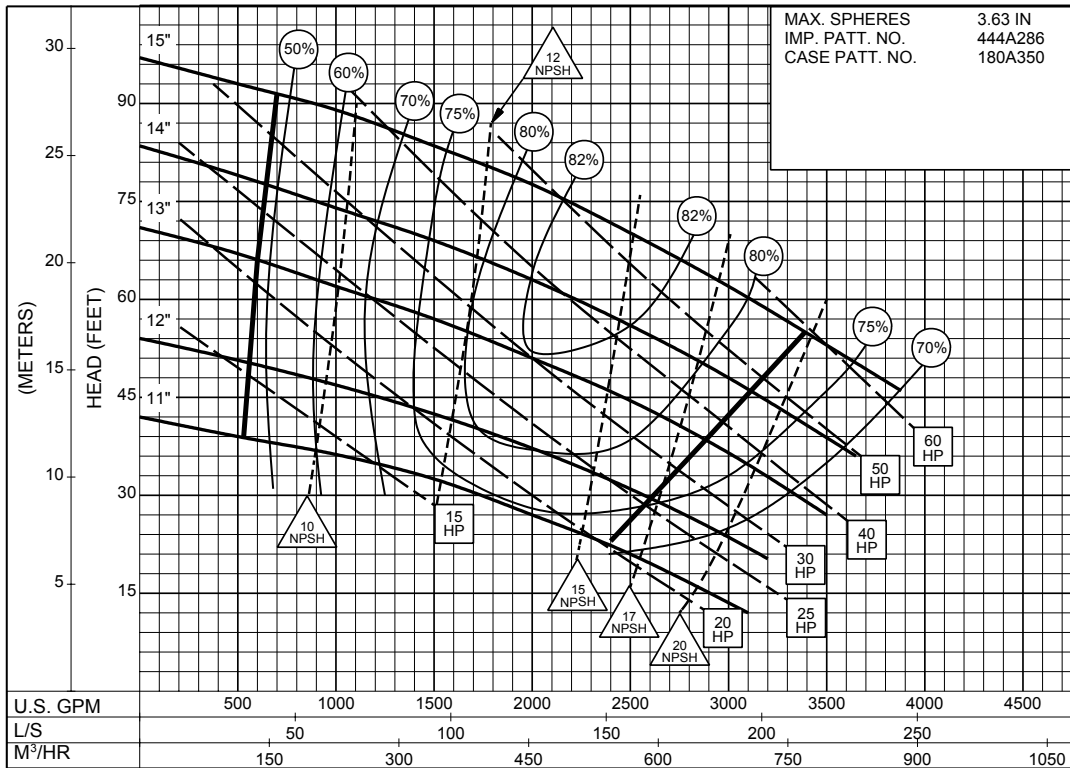




# 8 x 8 x 15A SERIES 610

## ENCLOSED IMPELLER

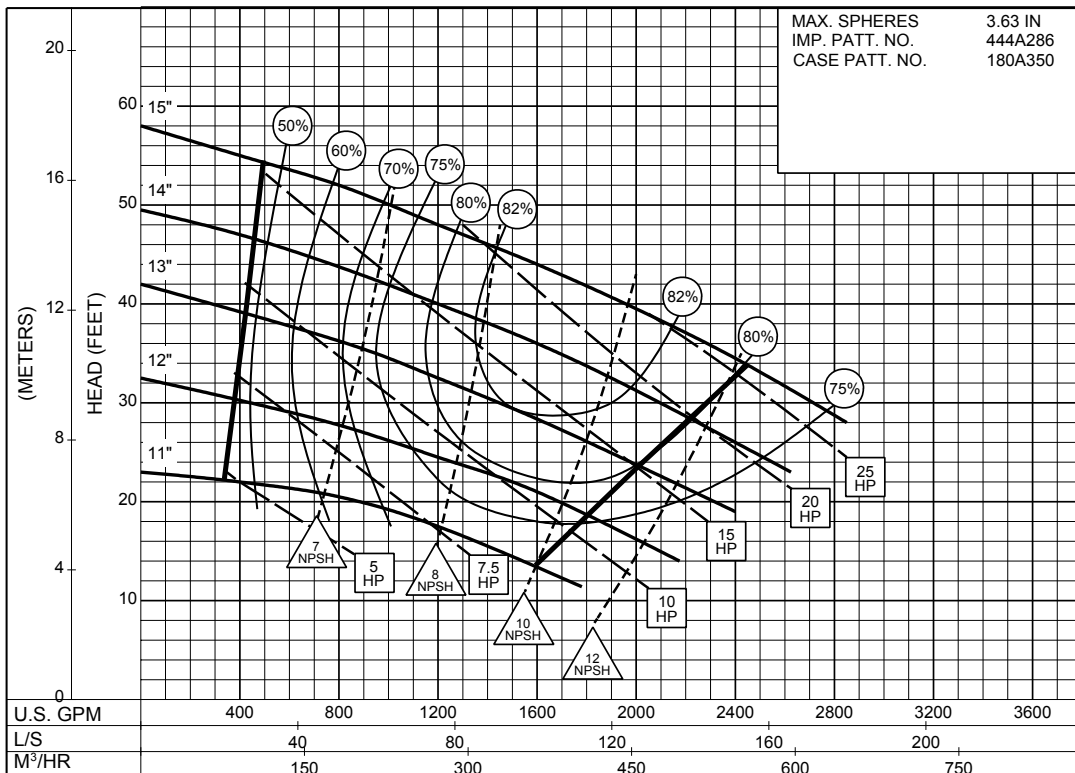
SIZE : 8x8x15A      TYPE : 610      IMPELLER : Enclosed      R. P. M. : 1150



**1150**  
RPM

8PC-142576

SIZE : 8x8x15A      TYPE : 610      IMPELLER : Enclosed      R. P. M. : 875

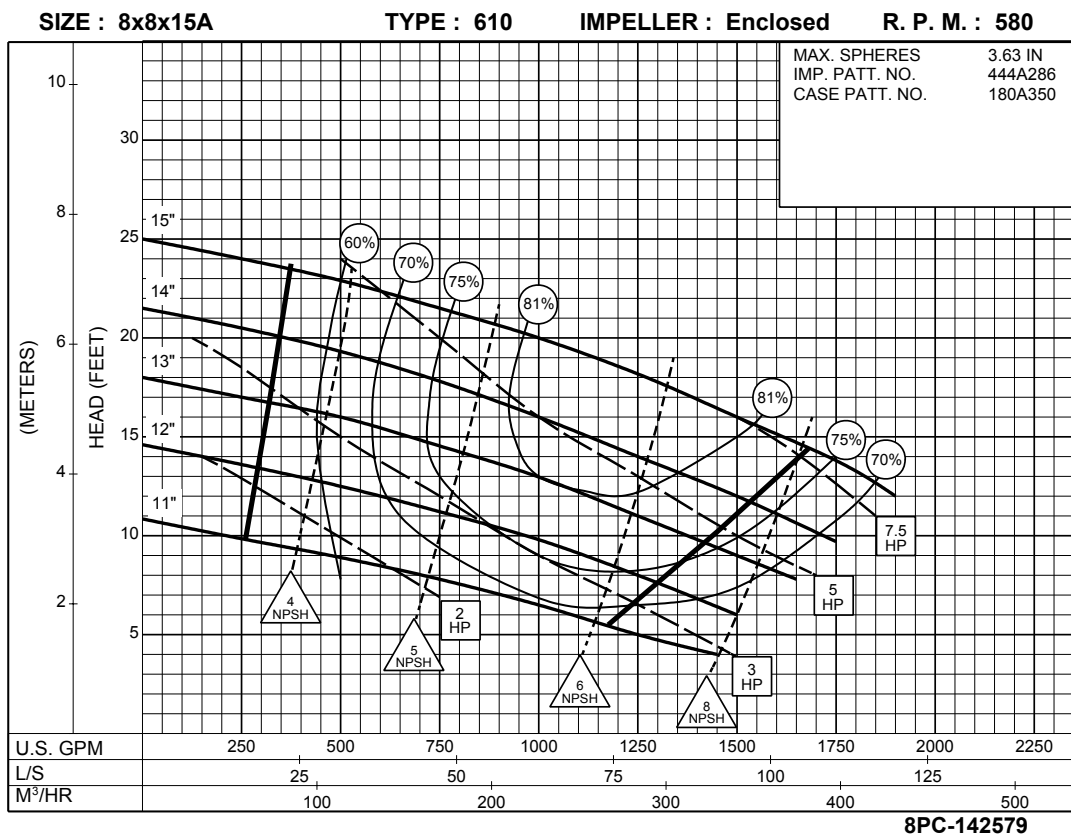
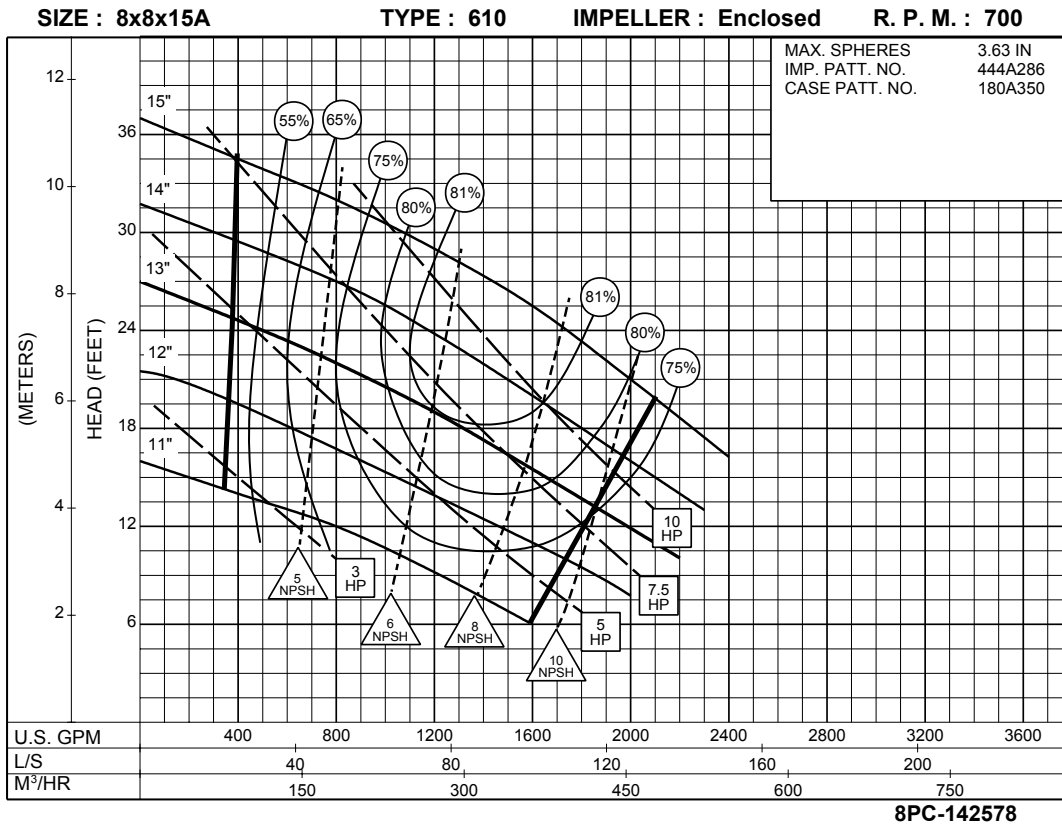


**875**  
RPM

8PC-142577

# 8 x 8 x 15A SERIES 610

## ENCLOSED IMPELLER

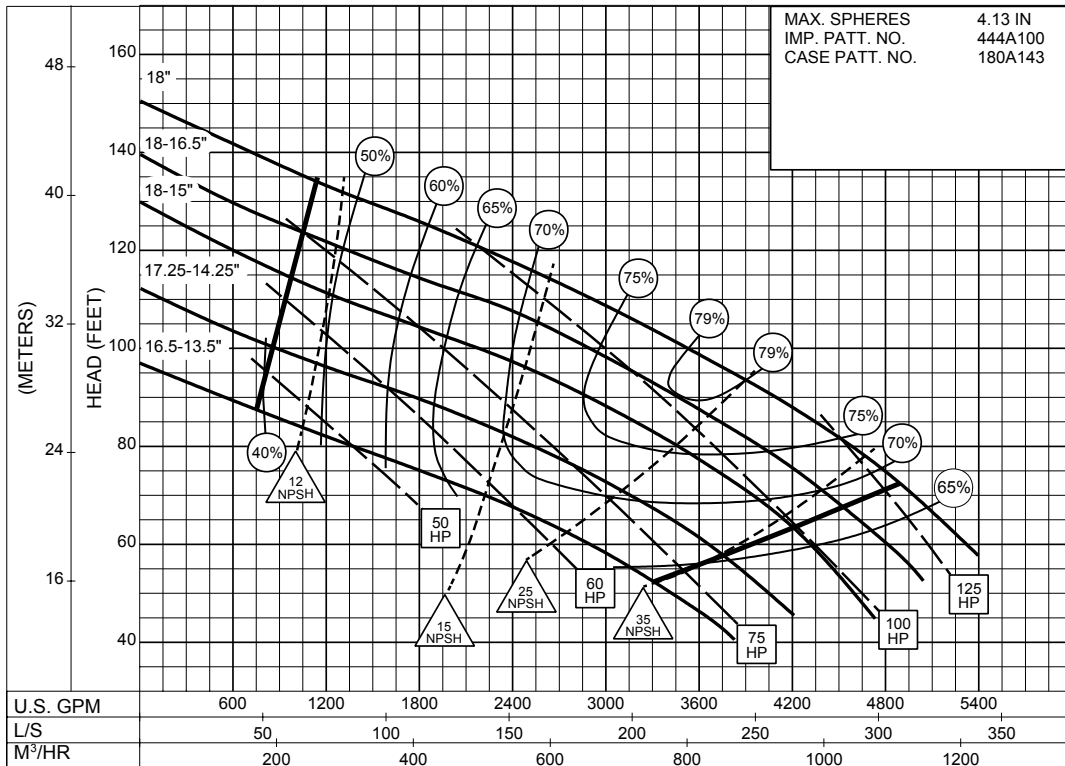


SIZE : 8x10x18

TYPE : 610

IMPELLER : Enclosed

R. P. M. : 1150



8PC-115588

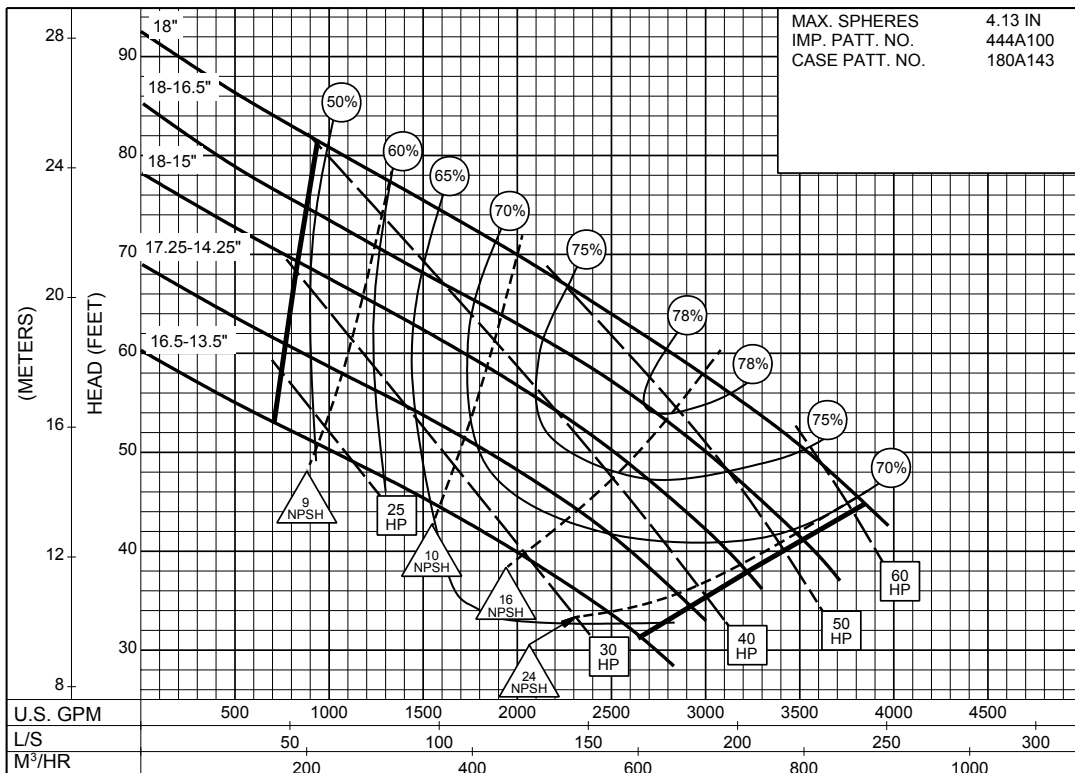
**1150**  
RPM

SIZE : 8x10x18

TYPE : 610

IMPELLER : Enclosed

R. P. M. : 875

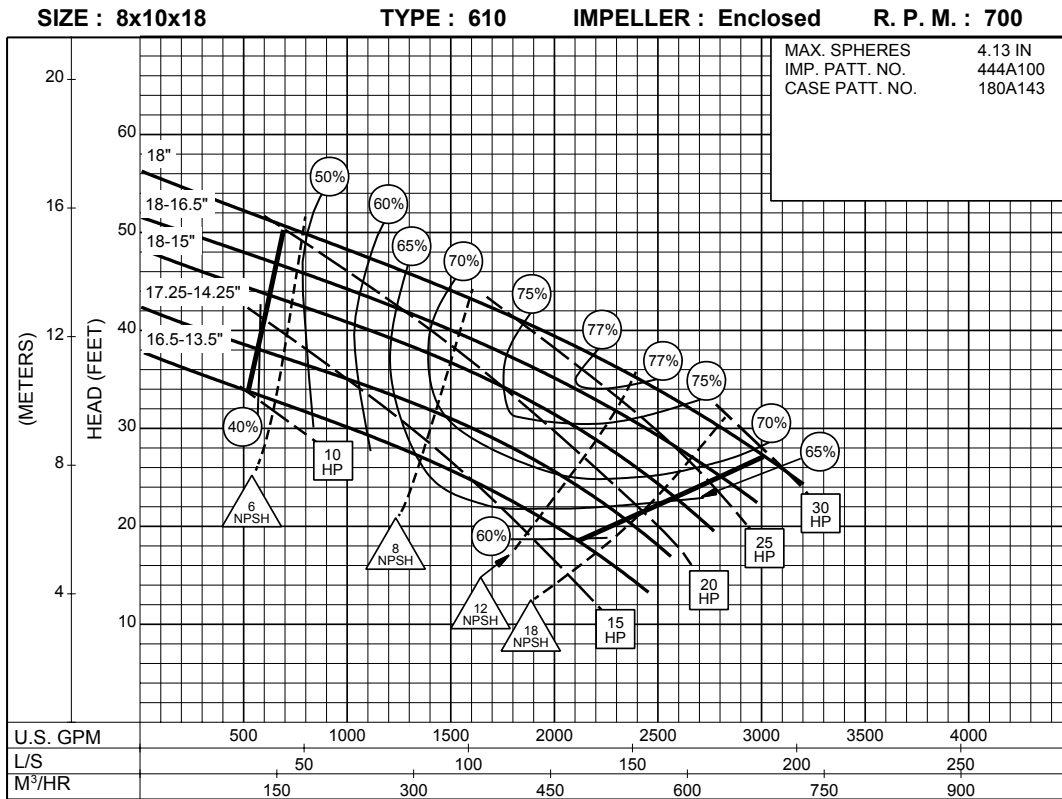


8PC-115589

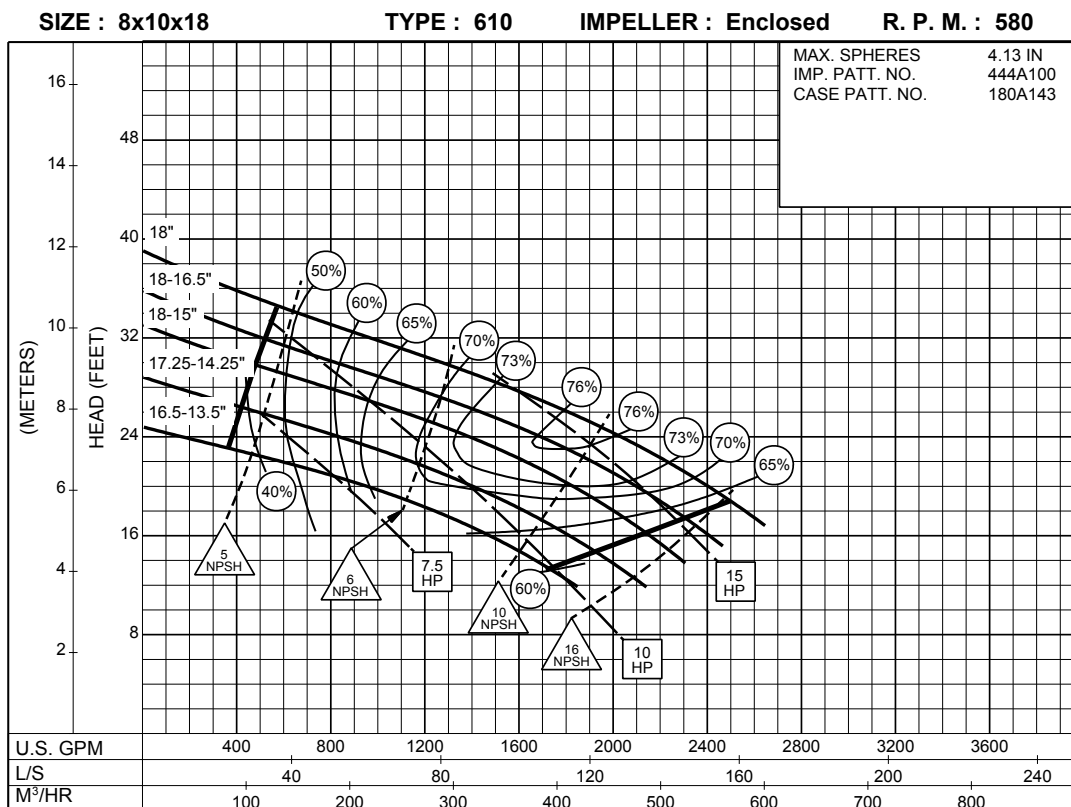
**875**  
RPM

# 8 x 10 x 18 SERIES 610

## ENCLOSED IMPELLER



8PC-115590

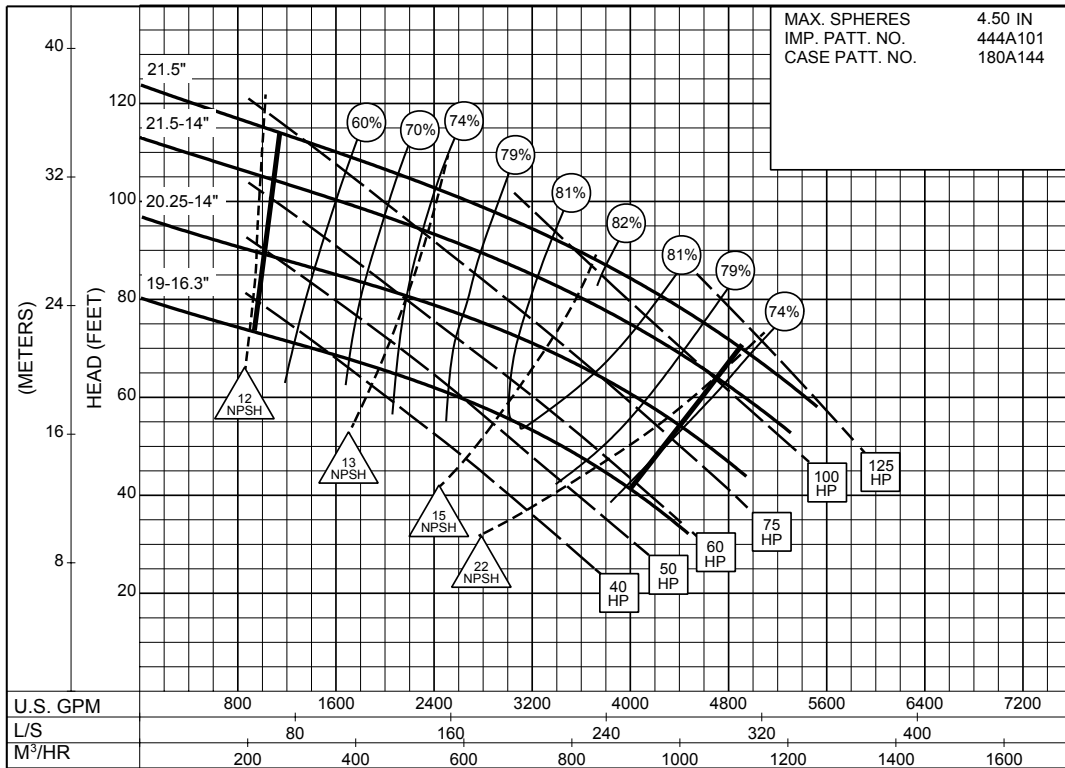


8PC-115591

**8 x 10 x 22**  
**SERIES 610**

ENCLOSED IMPELLER

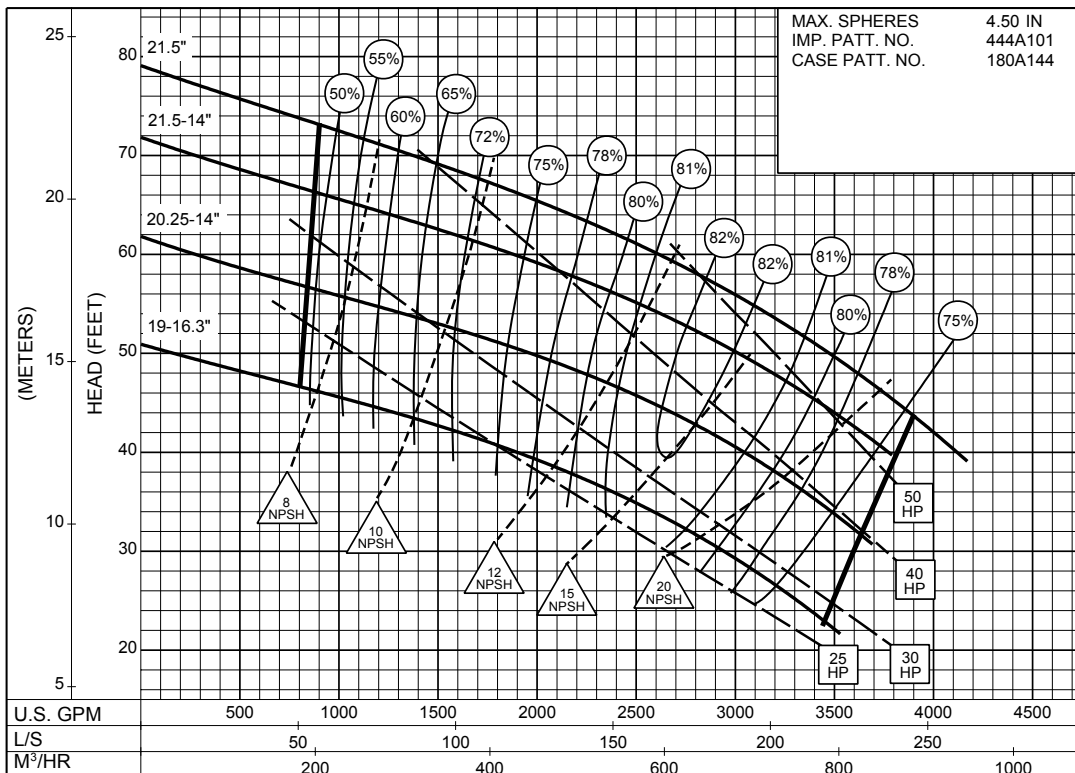
SIZE : 8x10x22 TYPE : 610 IMPELLER : Enclosed R. P. M. : 875



8PC-115592B

**875**  
RPM

SIZE : 8x10x22 TYPE : 610 IMPELLER : Enclosed R. P. M. : 700

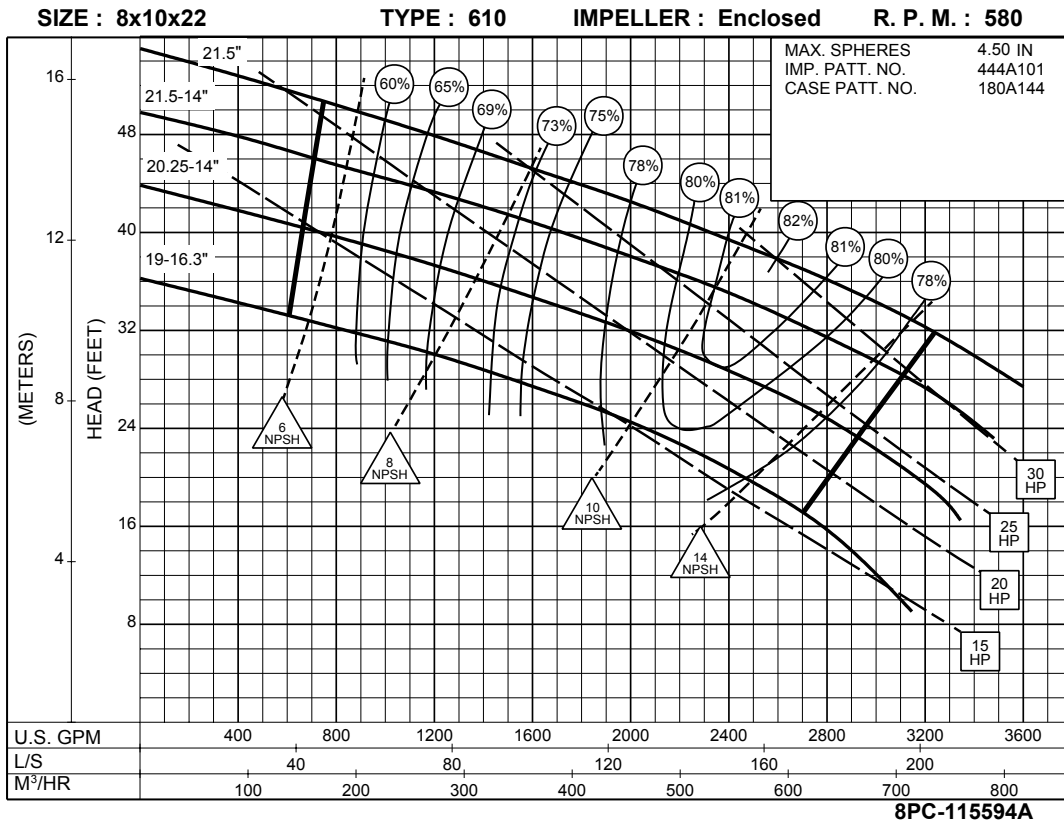


8PC-115593A

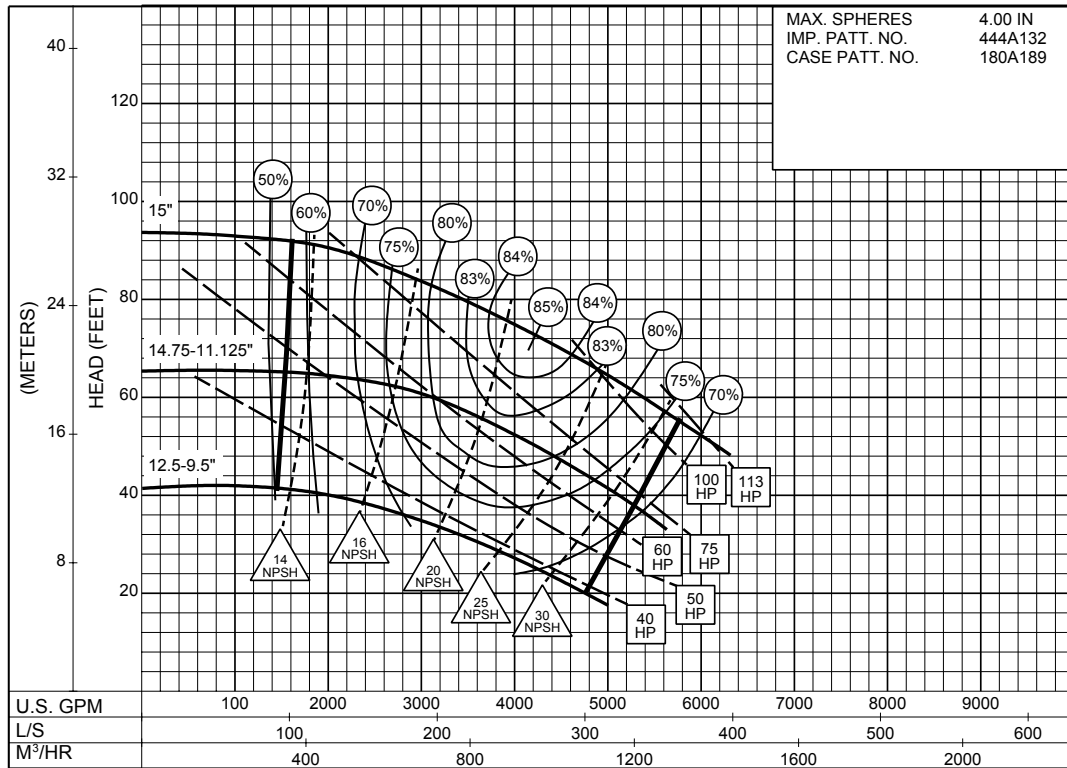
**700**  
RPM

# 8 x 10 x 22 SERIES 610

ENCLOSED IMPELLER



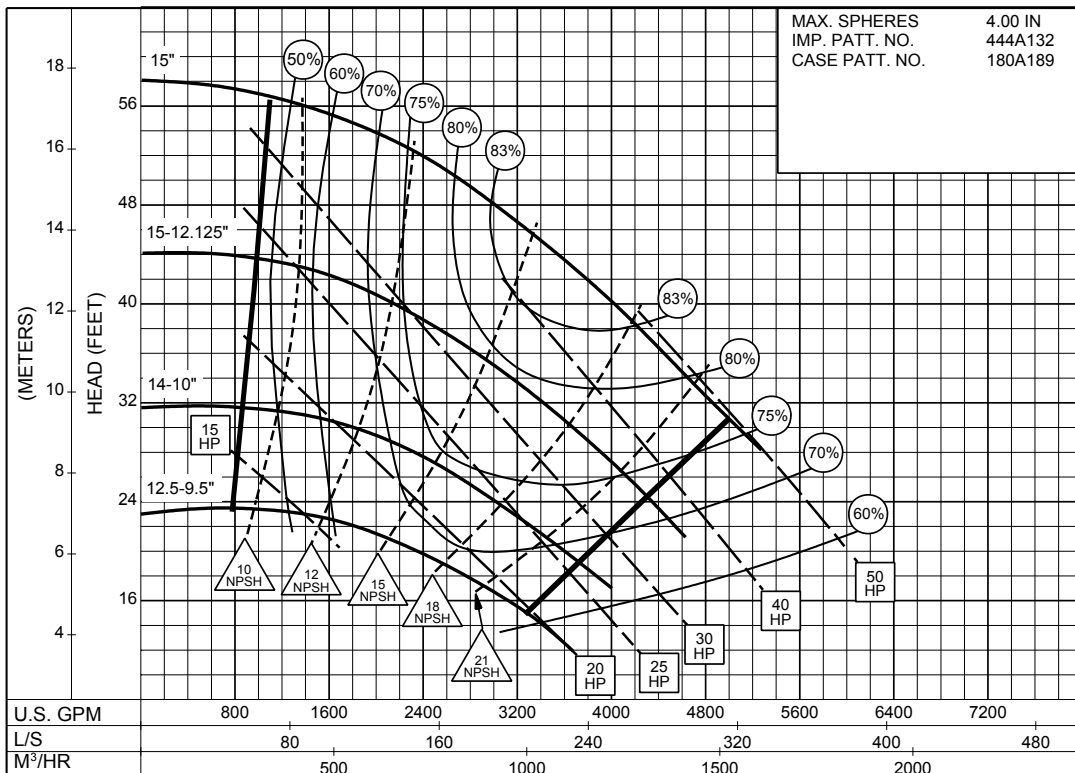
SIZE : 10x10x15 TYPE : 610 IMPELLER : Enclosed R. P. M. : 1150



**1150**  
RPM

8PC-126742

SIZE : 10x10x15 TYPE : 610 IMPELLER : Enclosed R. P. M. : 875

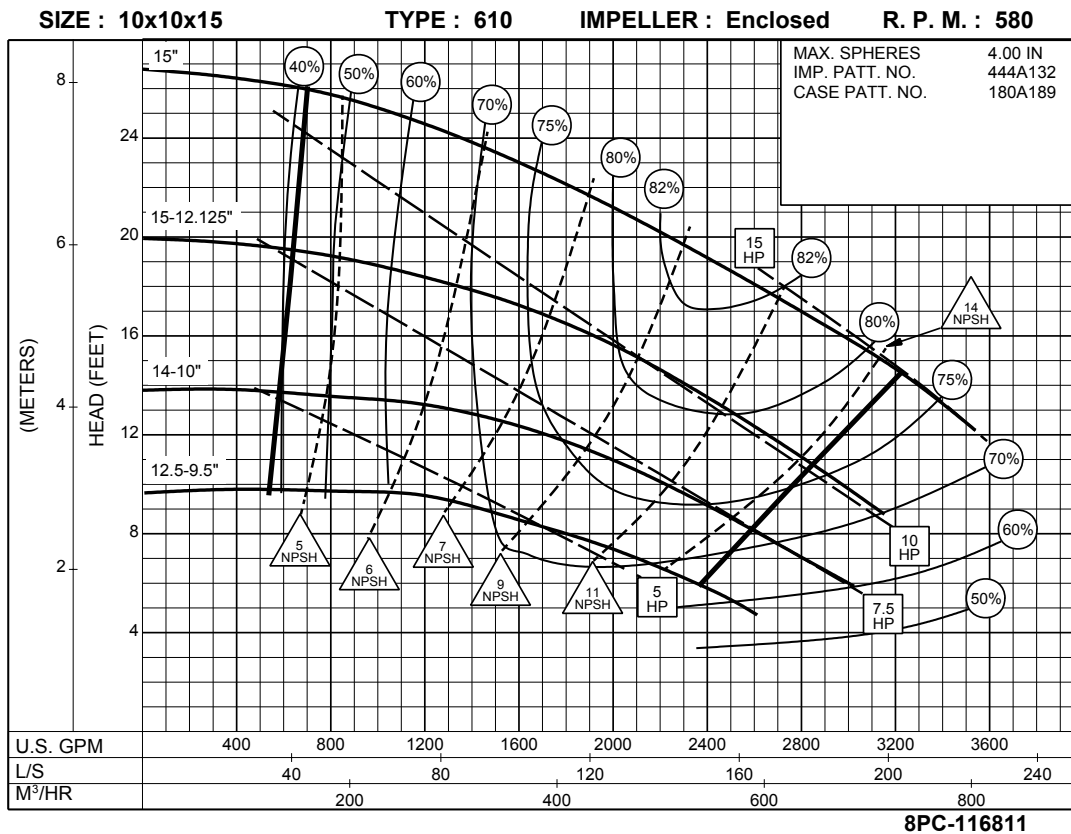
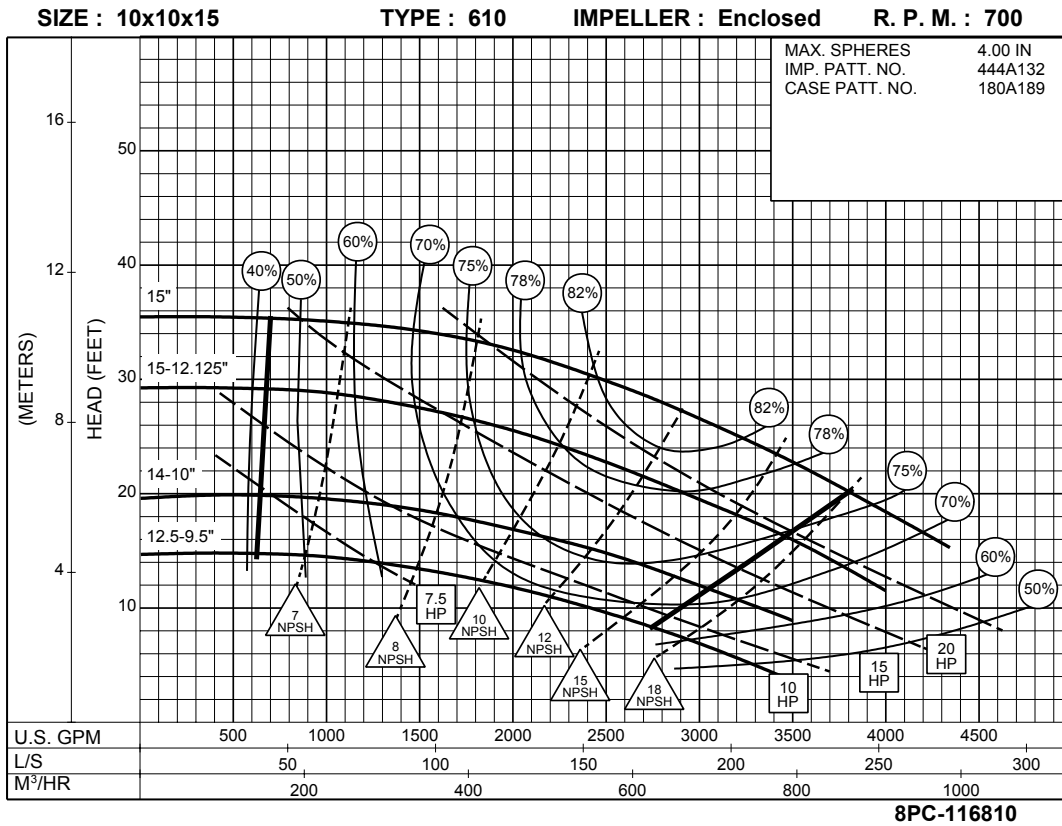


**875**  
RPM

8PC-116809

# 10 x 10 x 15 SERIES 610

ENCLOSED IMPELLER



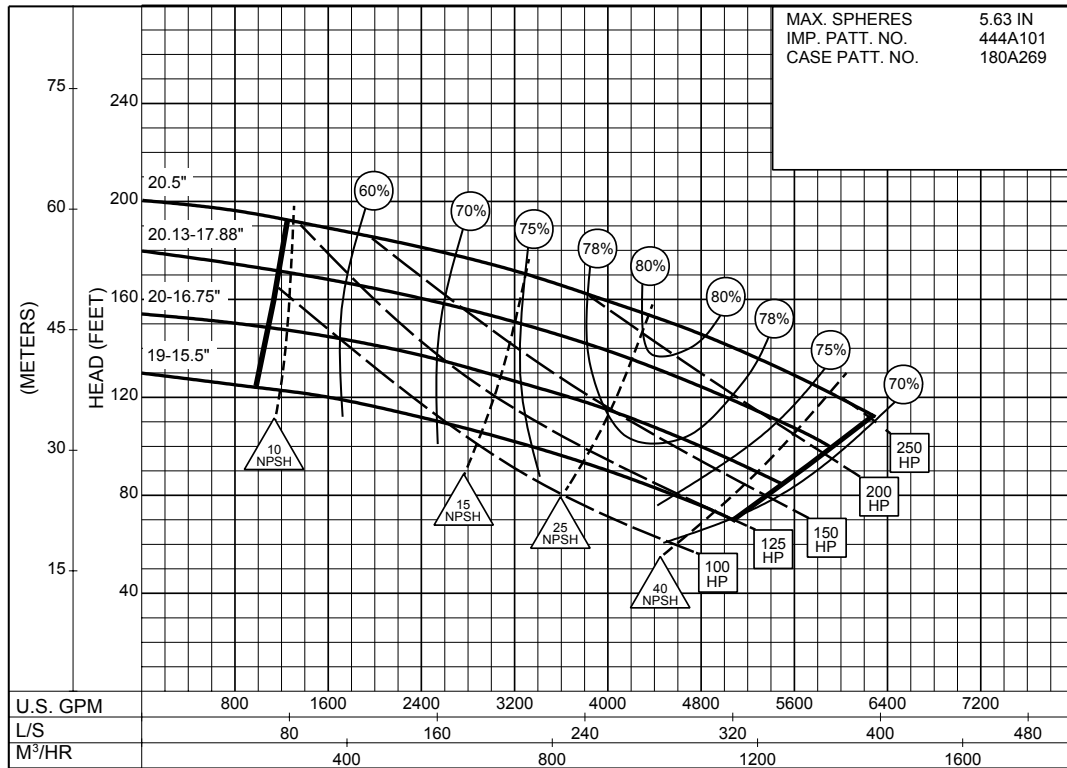


**10 x 10 x 22**  
**SERIES 610**

**ENCLOSED IMPELLER**

**SIZE : 10x10x22      TYPE : 610      IMPELLER : Enclosed      R. P. M. : 1175**

MAX. SPHERES      5.63 IN  
IMP. PATT. NO.      444A101  
CASE PATT. NO.      180A269



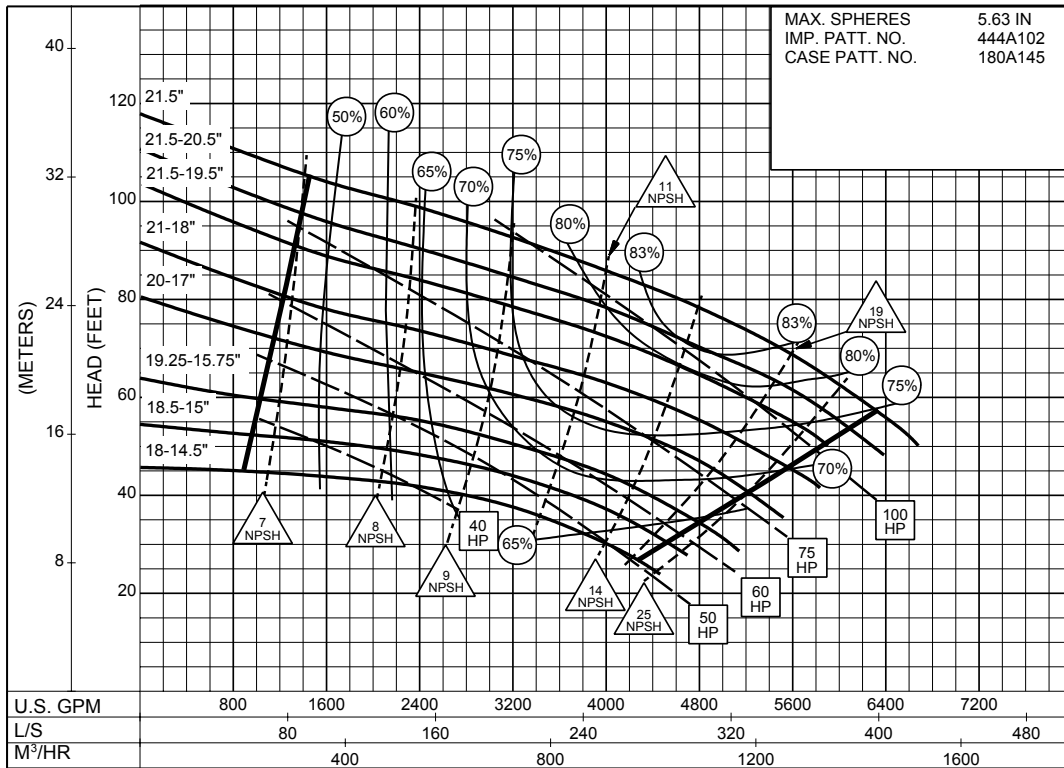
**1175**  
RPM

**8PC-134351**

# 10 x 12 x 22 SERIES 610

## ENCLOSED IMPELLER

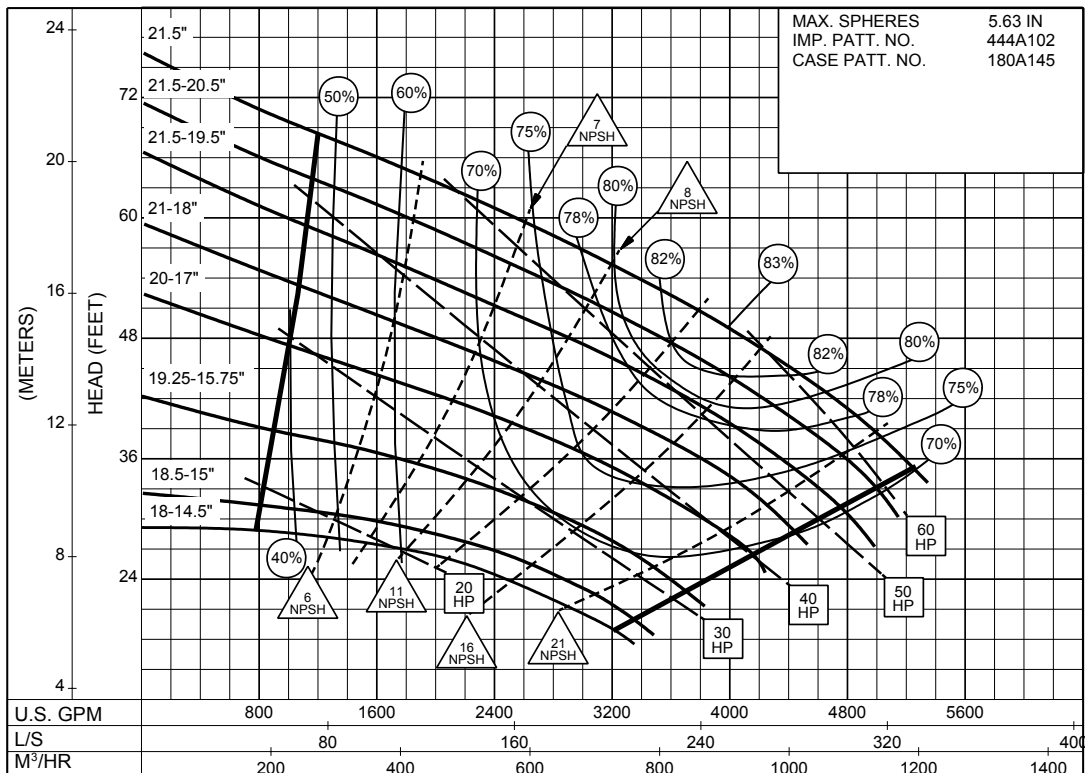
**SIZE : 10x12x22      TYPE : 610      IMPELLER : Enclosed      R. P. M. : 875**



**8PC-115595**

**875  
RPM**

**SIZE : 10x12x22      TYPE : 610      IMPELLER : Enclosed      R. P. M. : 700**



**8PC-115596**

**700  
RPM**

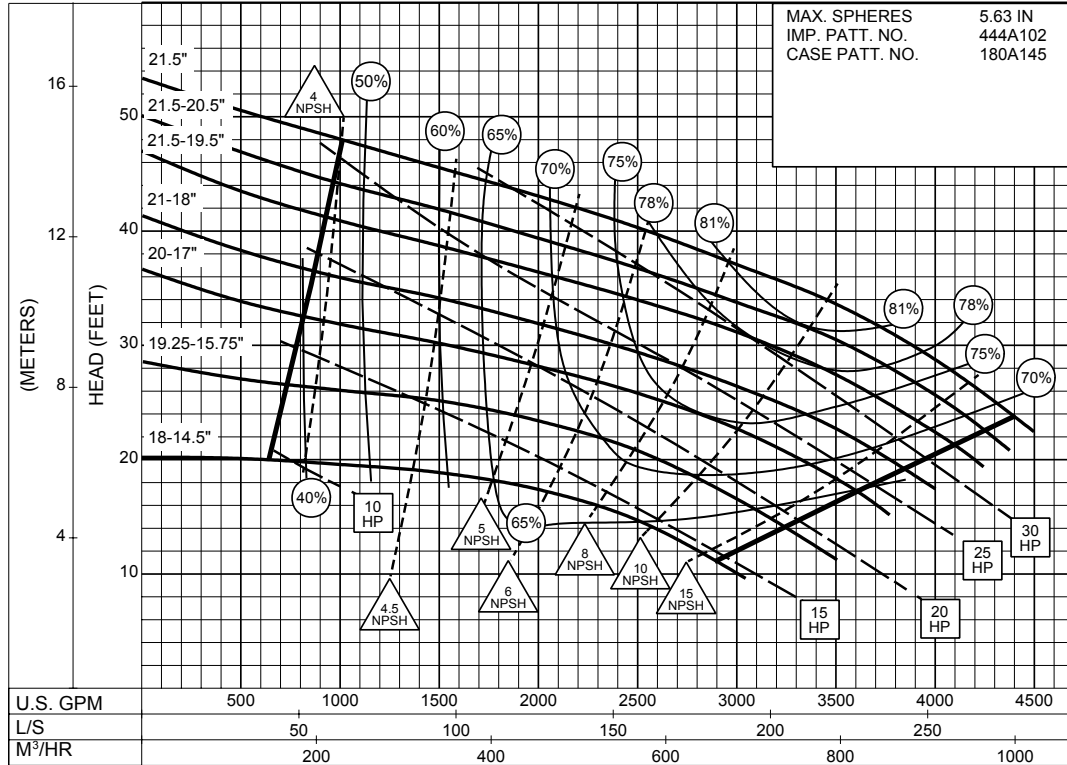
SIZE : 10x12x22

TYPE : 610

IMPELLER : Enclosed

R. P. M. : 580

MAX. SPHERES 5.63 IN  
IMP. PATT. NO. 444A102  
CASE PATT. NO. 180A145



**580**  
RPM

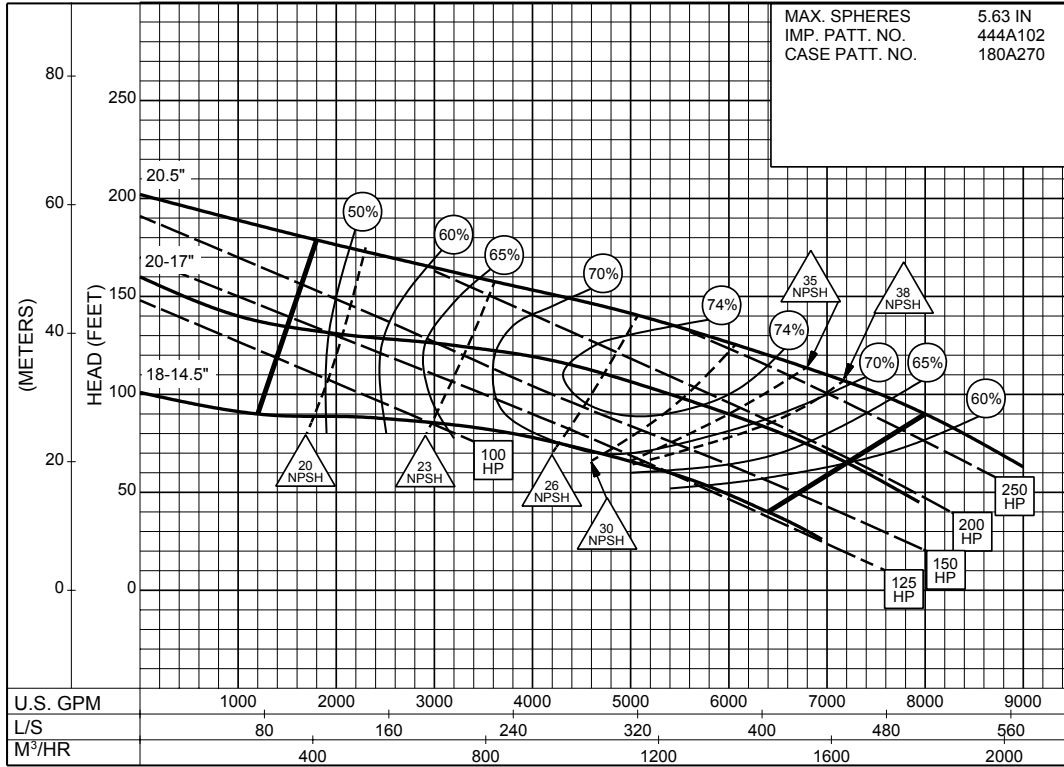
8PC-115597

# 12 x 12 x 22 SERIES 610

ENCLOSED IMPELLER

Supersedes Section 610 Page 424A  
Dated November 1992

SIZE : 12x12x22      TYPE : 610      IMPELLER : Enclosed      R. P. M. : 1175



**1175**  
RPM

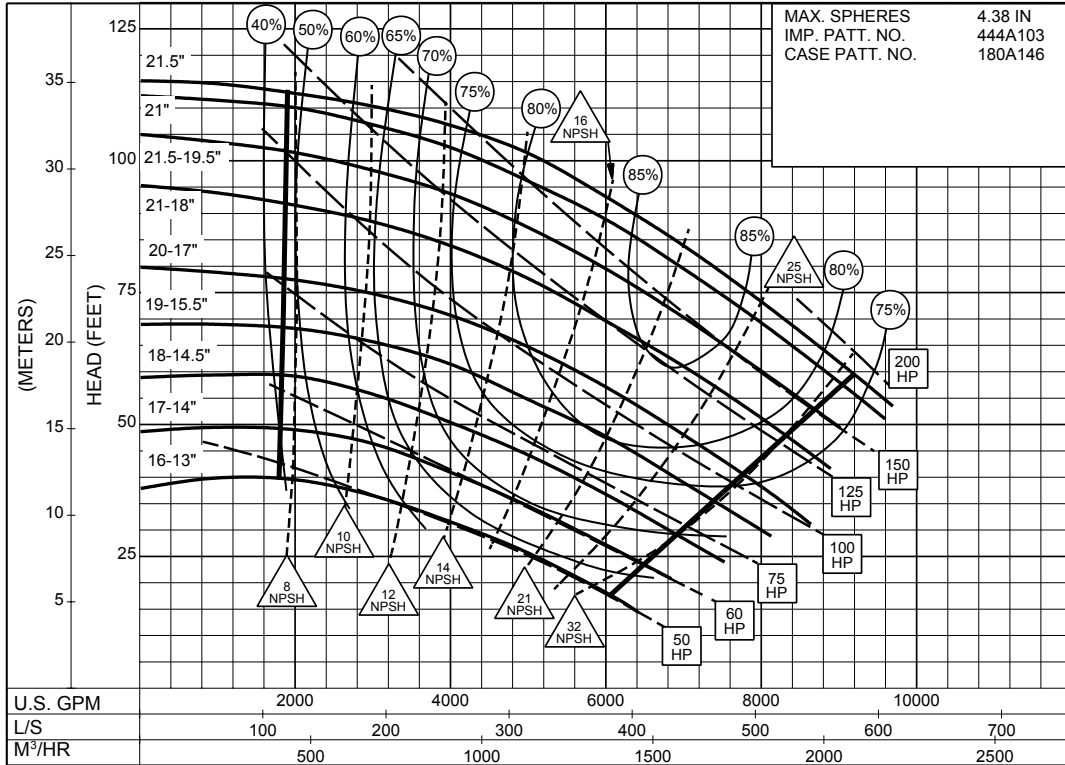
PC-154530

SIZE : 12x14x22A

TYPE : 610

IMPELLER : Enclosed

R. P. M. : 875



8PC-126830

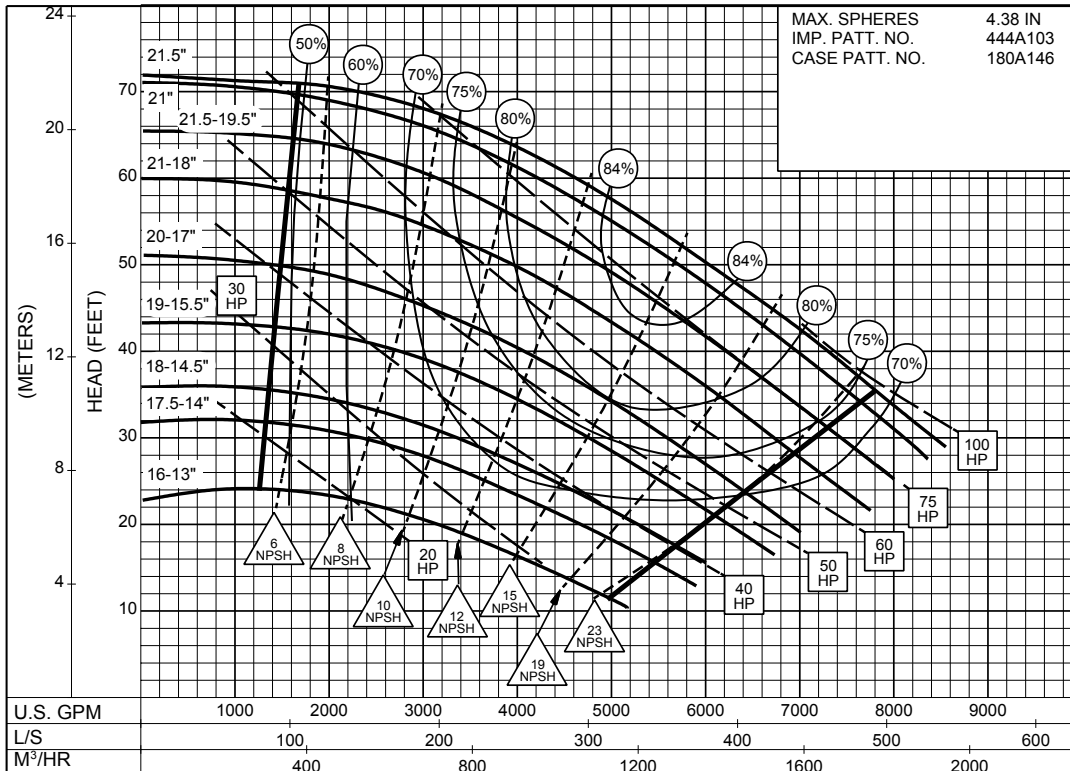


SIZE : 12x14x22A

TYPE : 610

IMPELLER : Enclosed

R. P. M. : 700

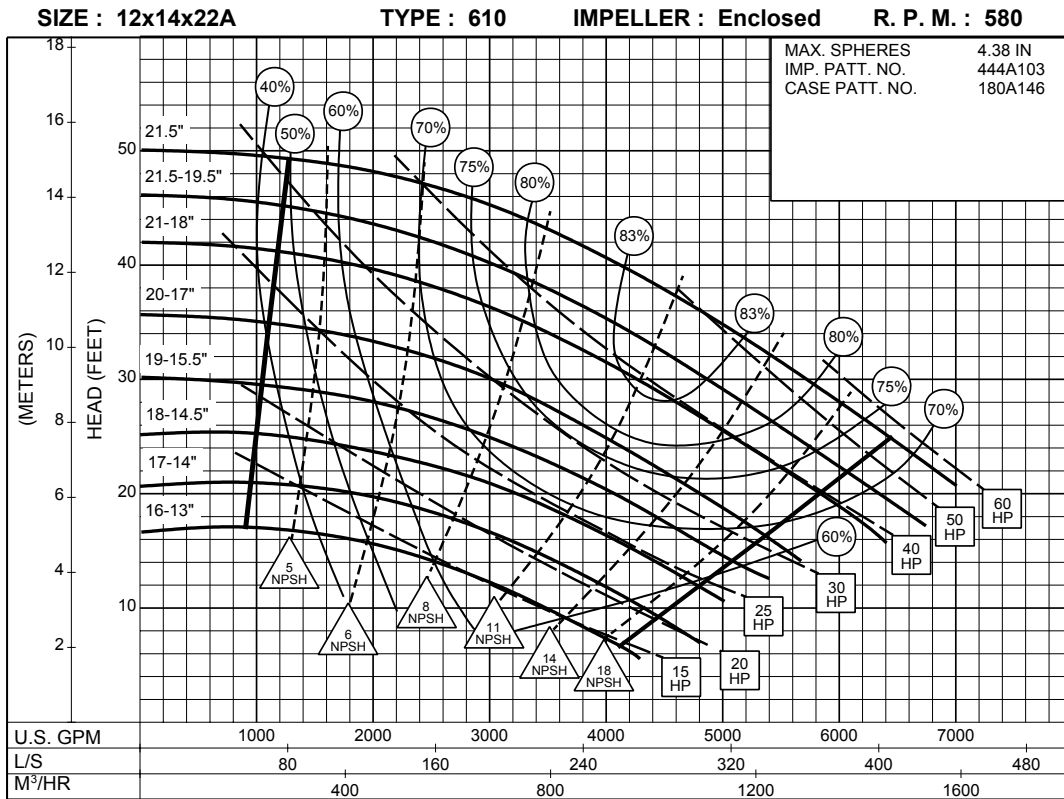


8PC-126831



# 12 x 14 x 22A SERIES 610

ENCLOSED IMPELLER

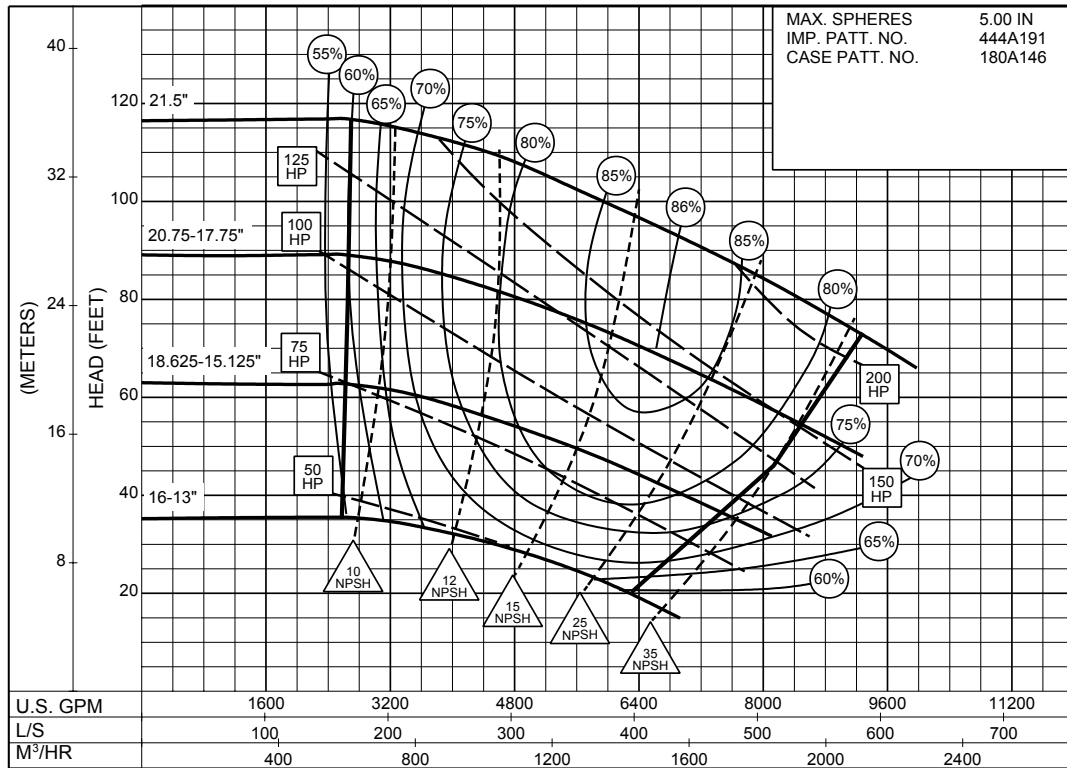


**12 x 14 x 22B**

**SERIES 610**

ENCLOSED IMPELLER

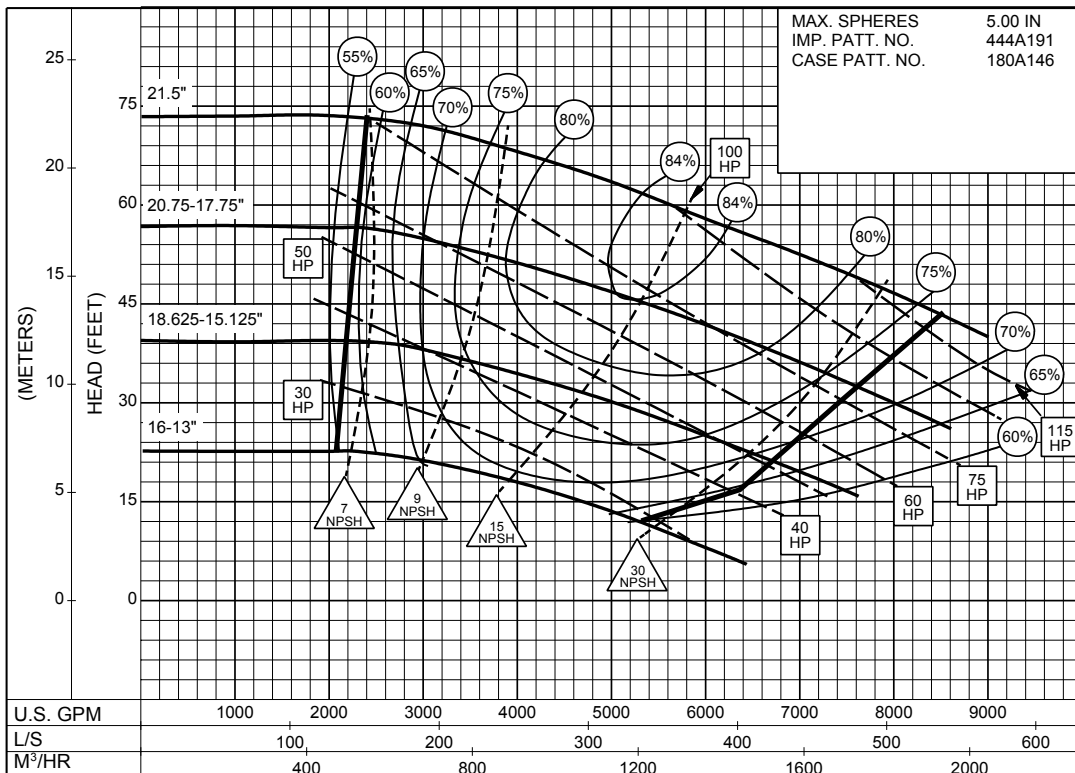
SIZE : 12x14x22B TYPE : 610 IMPELLER : Enclosed R. P. M. : 875



8PC-132458

**875**  
RPM

SIZE : 12x14x22B TYPE : 610 IMPELLER : Enclosed R. P. M. : 700



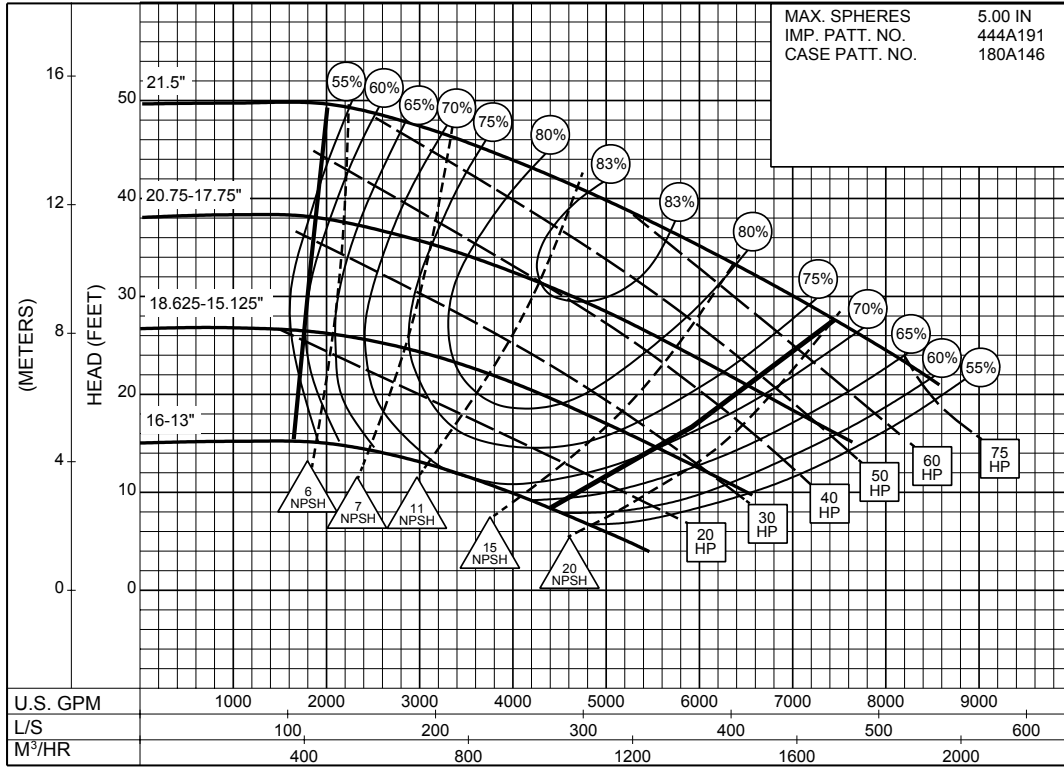
8PC-132459

**700**  
RPM

# 12 x 14 x 22B SERIES 610

ENCLOSED IMPELLER

SIZE : 12x14x22B      TYPE : 610      IMPELLER : Enclosed      R. P. M. : 580



**580**  
RPM

8PC-132460

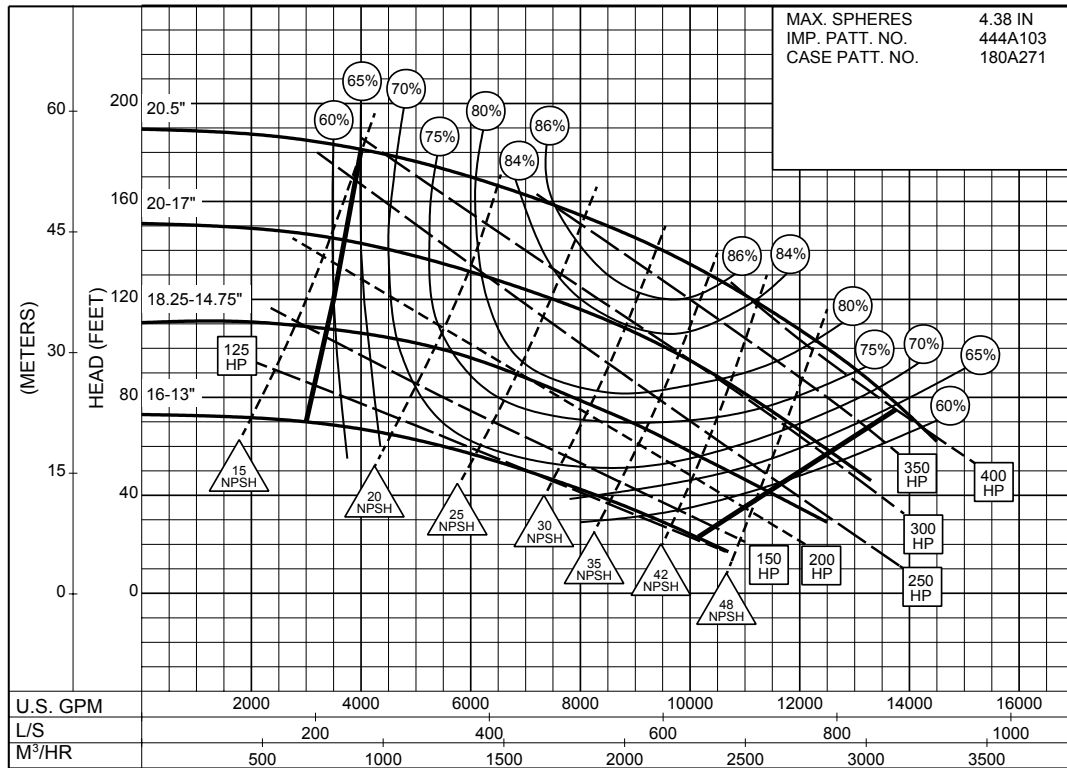


# 14 x 14 x 22A SERIES 610

## ENCLOSED IMPELLER

SIZE : 14x14x22A      TYPE : 610      IMPELLER : Enclosed      R. P. M. : 1175

MAX. SPHERES      4.38 IN  
IMP. PATT. NO.      444A103  
CASE PATT. NO.      180A271

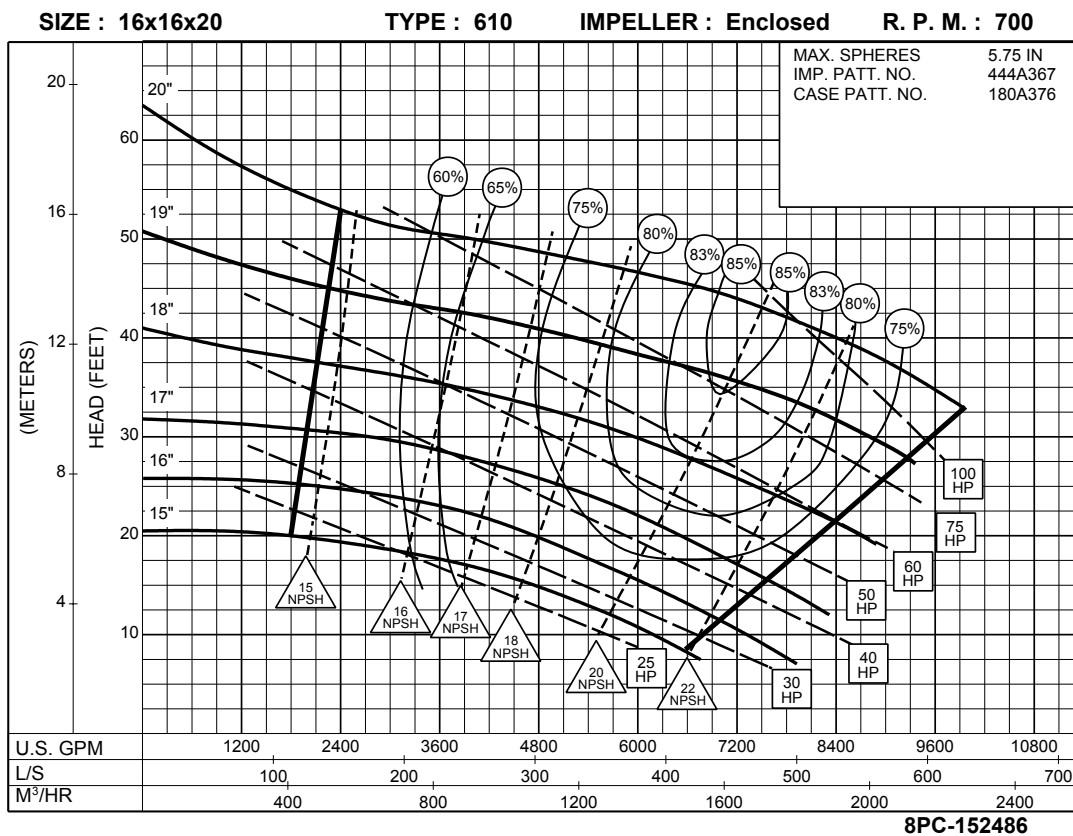
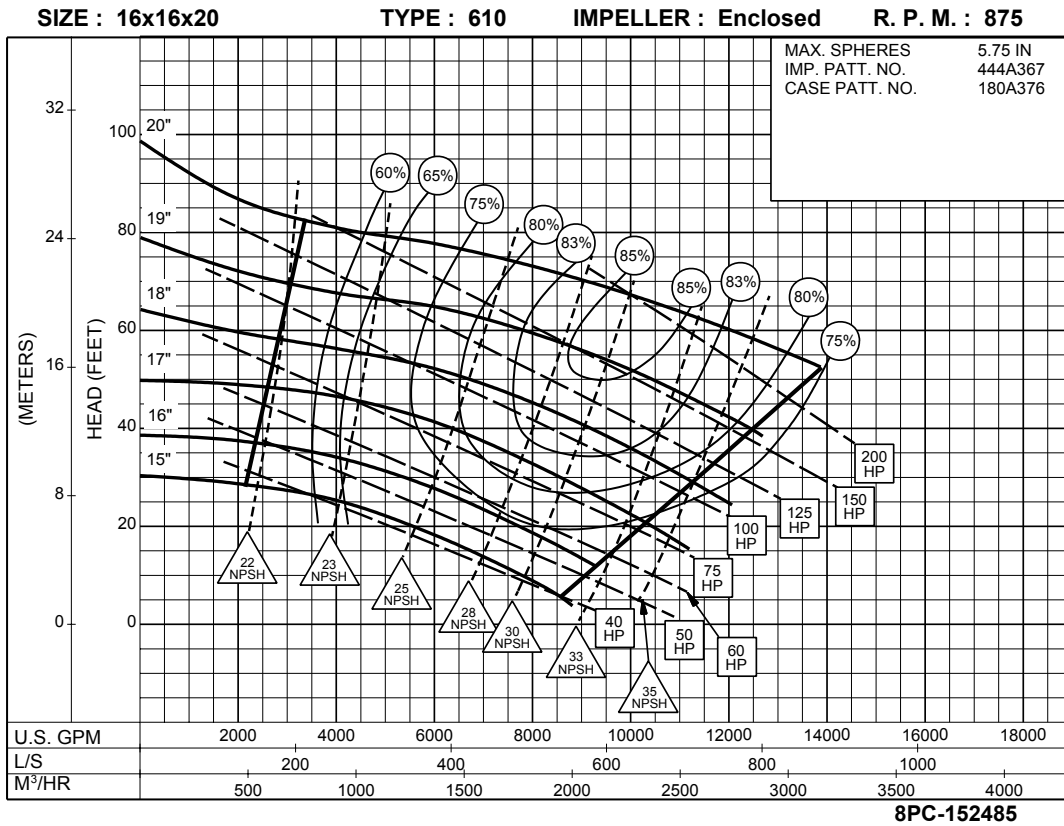


**1175**  
RPM

PC-150828

# 16 x 16 x 20 SERIES 610

ENCLOSED IMPELLER



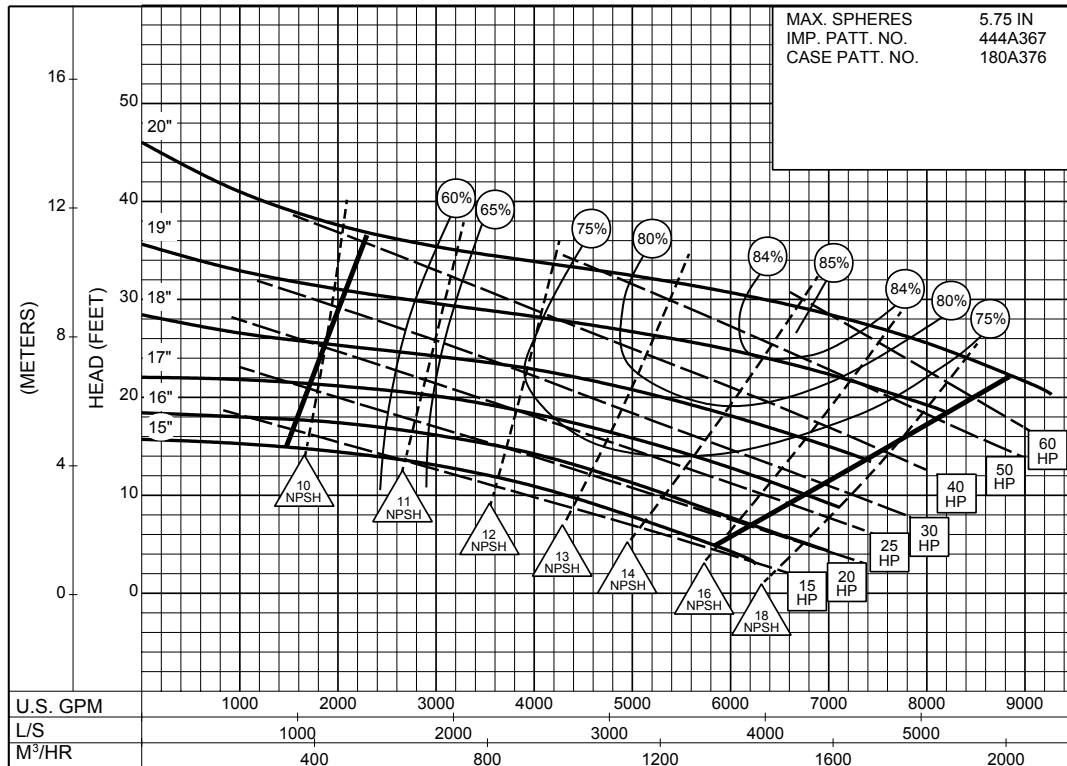
SIZE : 16x16x20

TYPE : 610

IMPELLER : Enclosed

R. P. M. : 585

MAX. SPHERES 5.75 IN  
 IMP. PATT. NO. 444A367  
 CASE PATT. NO. 180A376



8PC-152487

**585**  
RPM

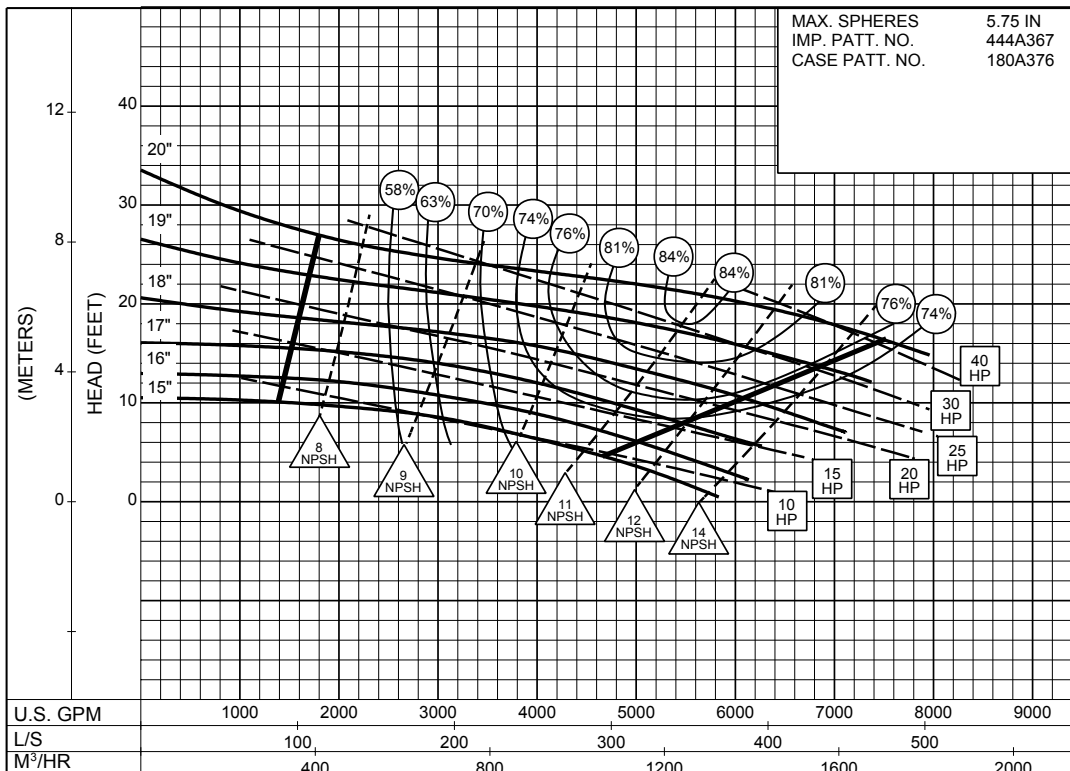
SIZE : 16x16x20

TYPE : 610

IMPELLER : Enclosed

R. P. M. : 500

MAX. SPHERES 5.75 IN  
 IMP. PATT. NO. 444A367  
 CASE PATT. NO. 180A376

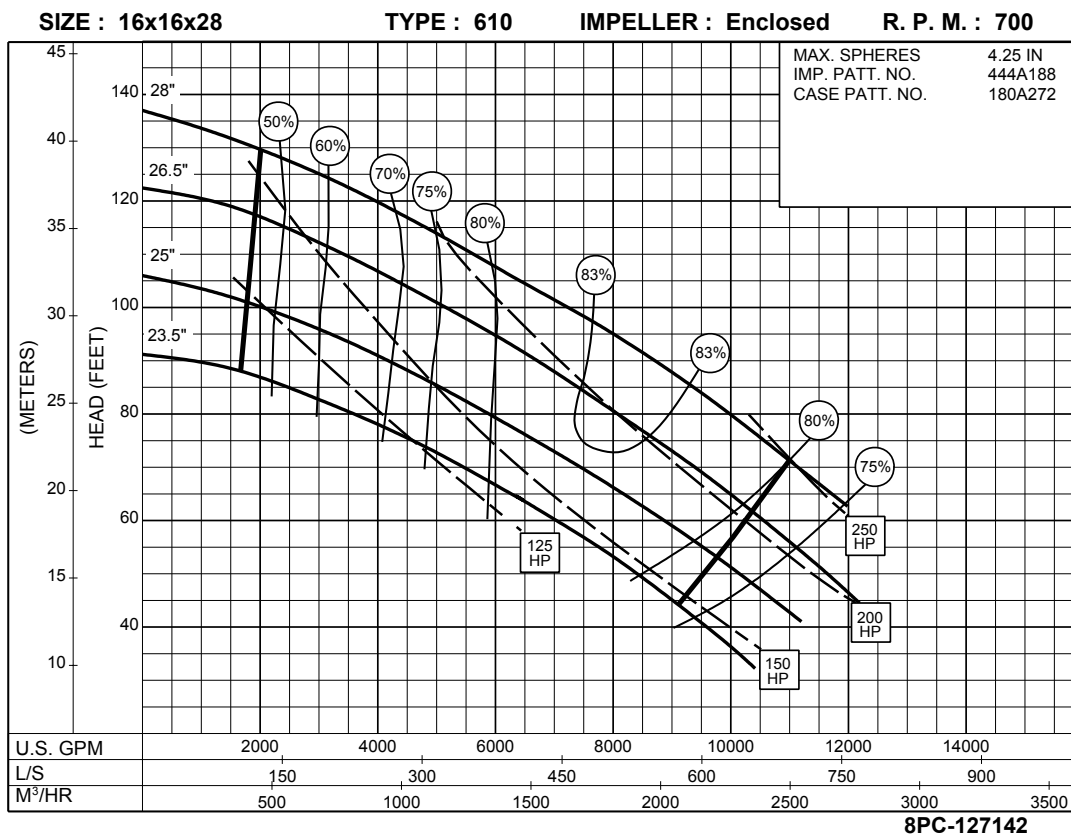
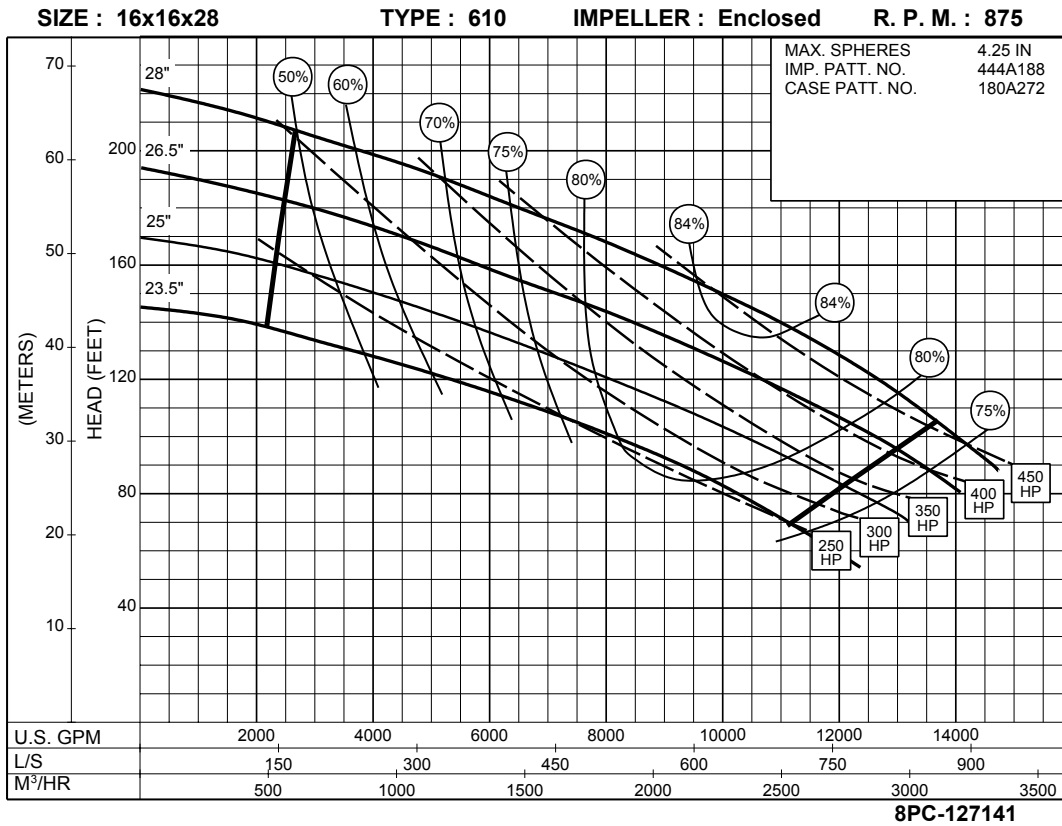


PC-152488

**500**  
RPM

# 16 x 16 x 28 SERIES 610

ENCLOSED IMPELLER



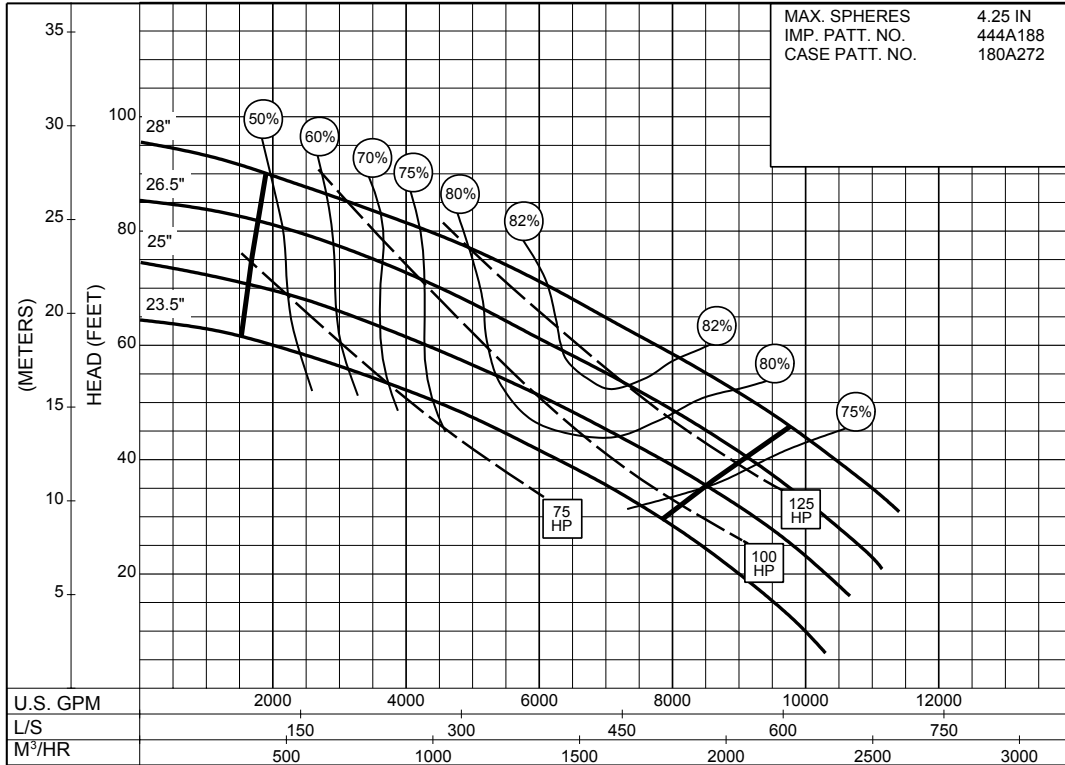
SIZE : 16x16x28

TYPE : 610

IMPELLER : Enclosed

R. P. M. : 585

MAX. SPHERES 4.25 IN  
IMP. PATT. NO. 444A188  
CASE PATT. NO. 180A272

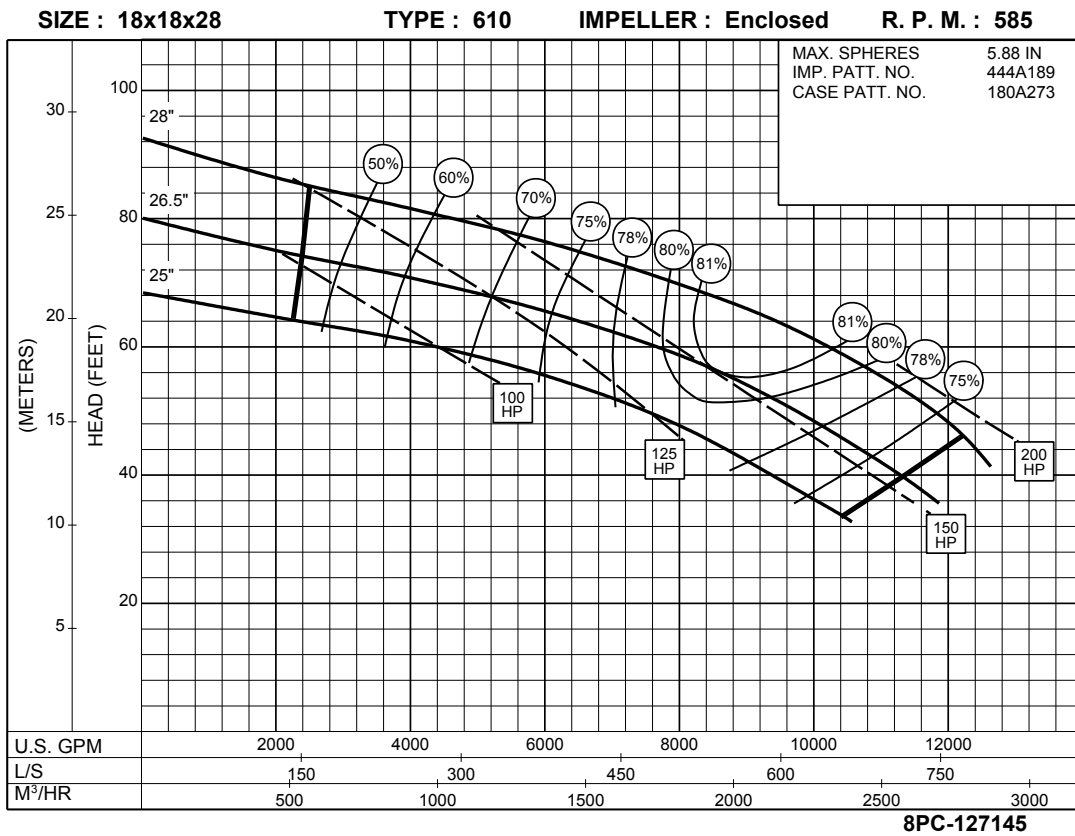
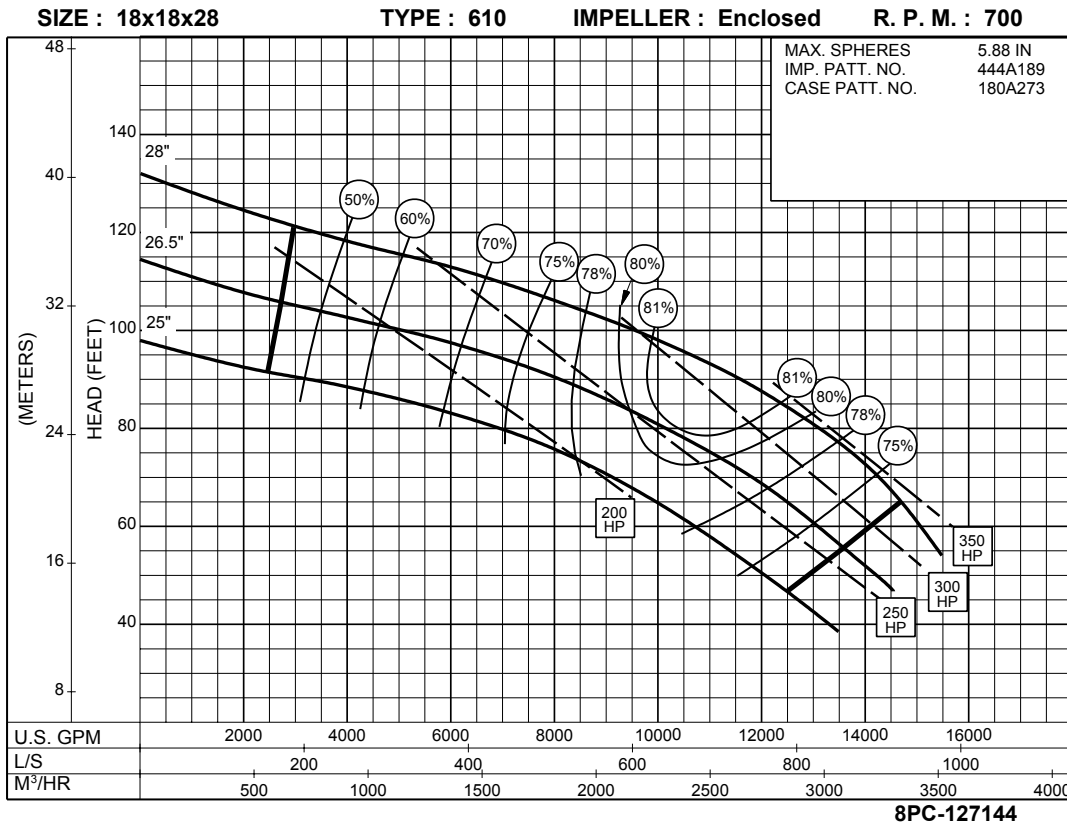


**585**  
RPM

8PC-127143

# 18 x 18 x 28 SERIES 610

ENCLOSED IMPELLER



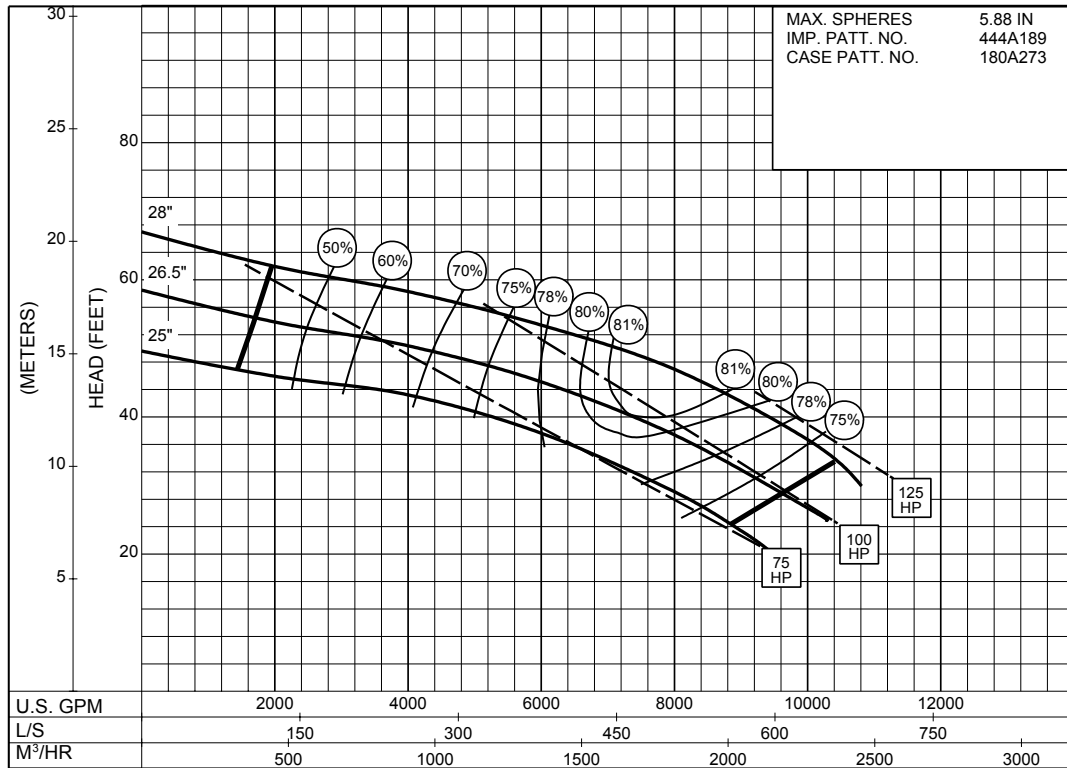
SIZE : 18x18x28

TYPE : 610

IMPELLER : Enclosed

R. P. M. : 500

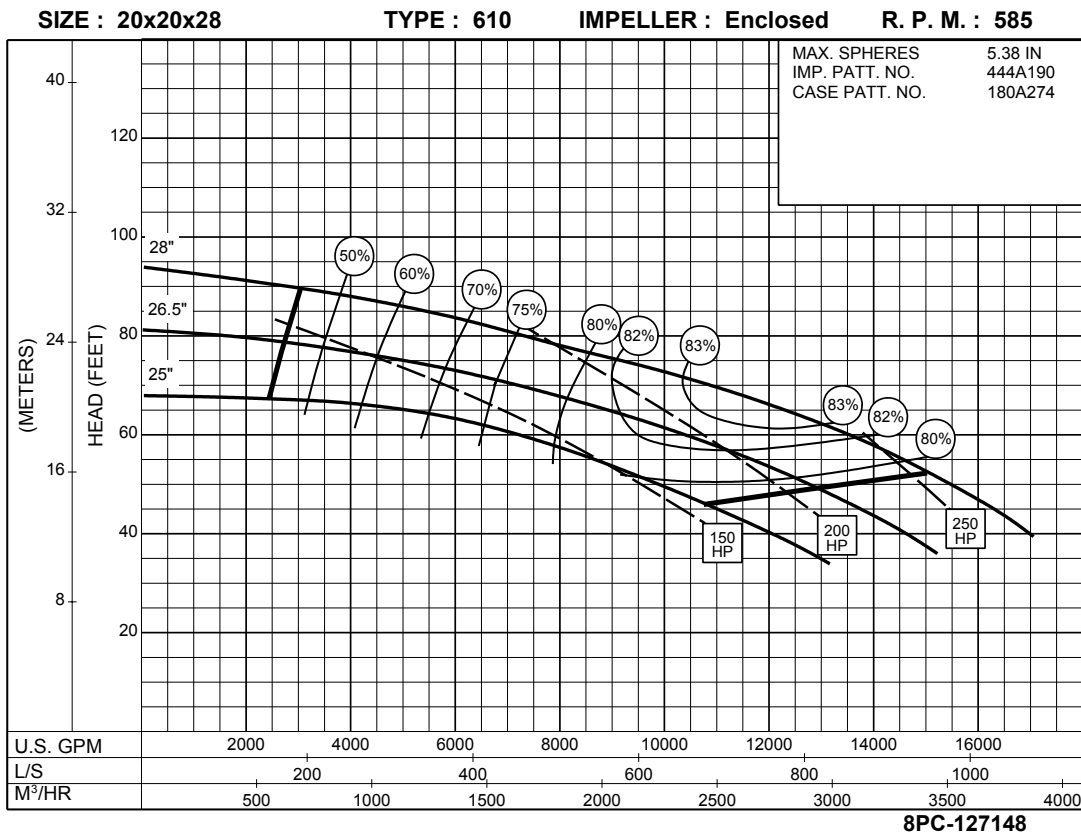
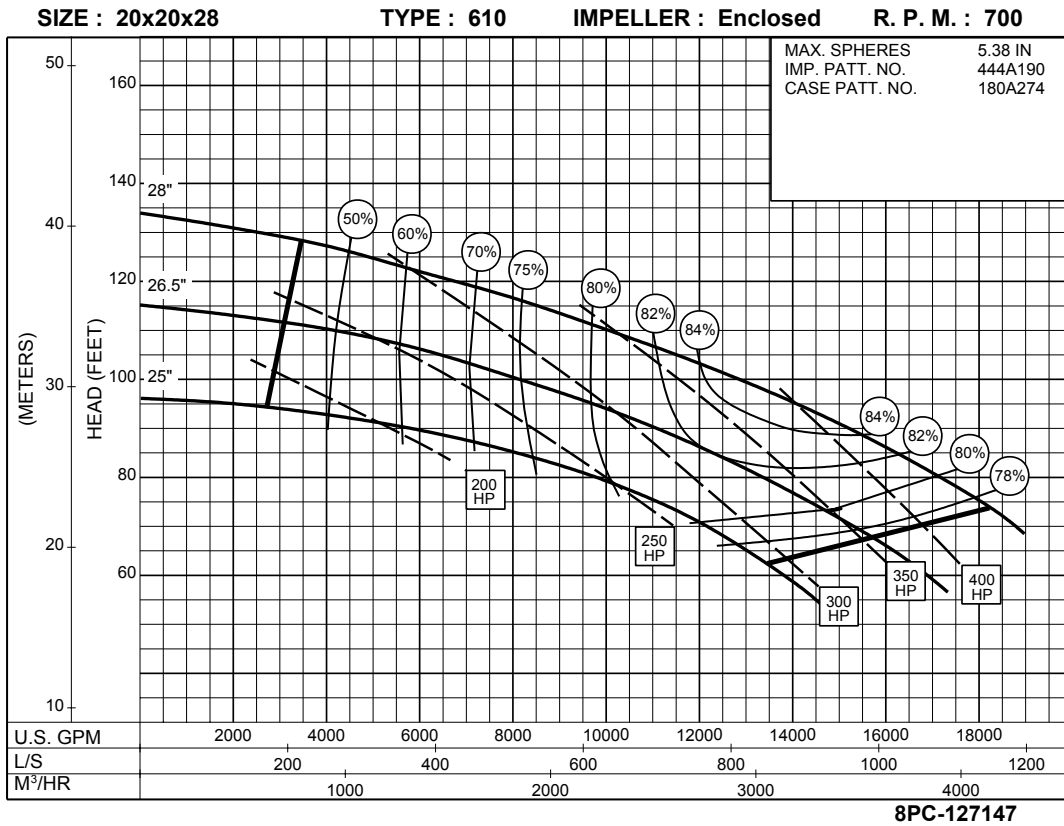
MAX. SPHERES 5.88 IN  
IMP. PATT. NO. 444A189  
CASE PATT. NO. 180A273



8PC-127146

# 20 x 20 x 28 SERIES 610

ENCLOSED IMPELLER





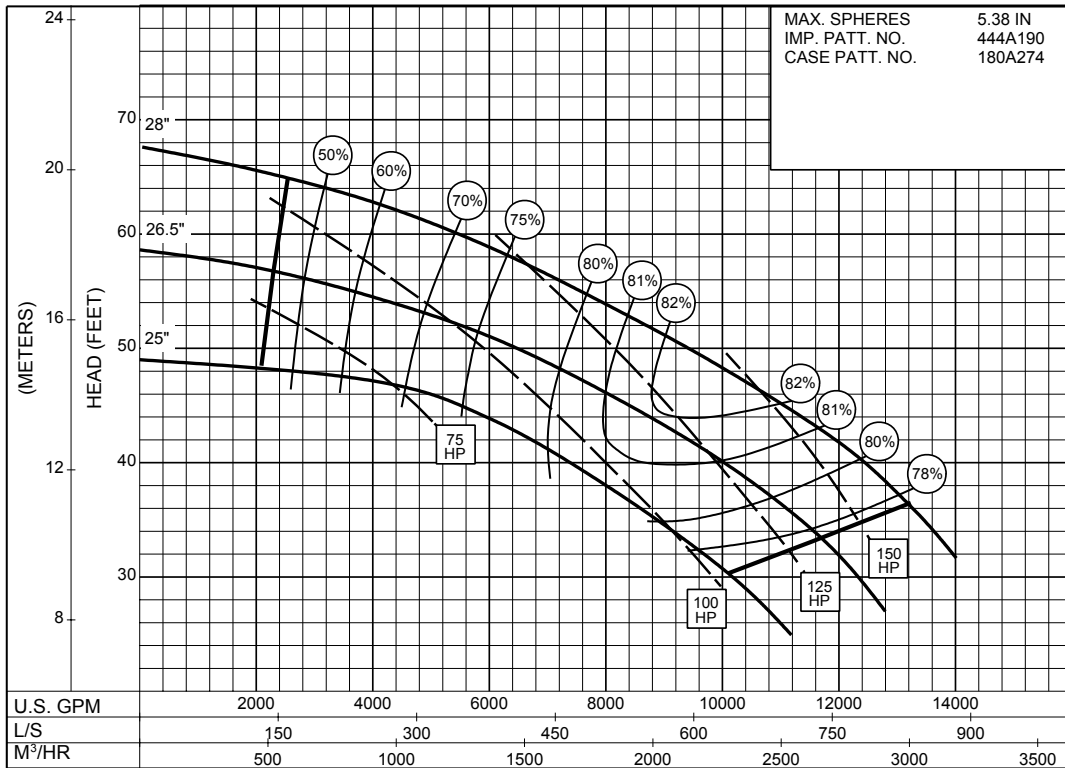
SIZE : 20x20x28

TYPE : 610

IMPELLER : Enclosed

R. P. M. : 500

MAX. SPHERES 5.38 IN  
IMP. PATT. NO. 444A190  
CASE PATT. NO. 180A274



**500**  
RPM

8PC-127149