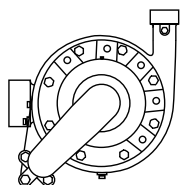
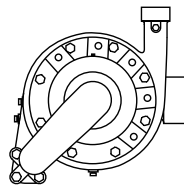


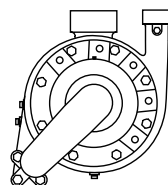
OPTIONAL POSITION (3)



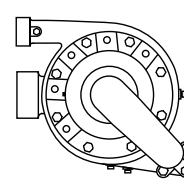
STANDARD POSITION 1



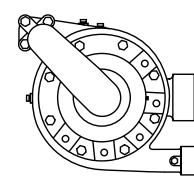
POSITION 2



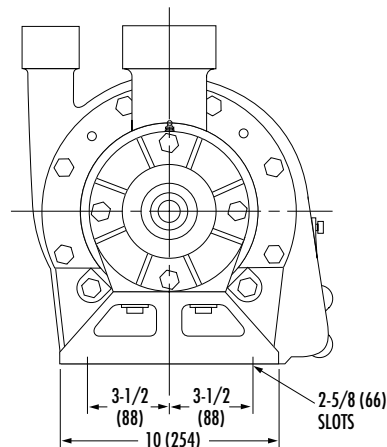
POSITION 3



POSITION 4



POSITION 5



VIEW AA

PUMP SIZE	U	KEYWAY	
		LENGTH	SQ.
1-1/2 x 3 x 10	1-1/8 (29)	1-3/4 (44)	1/4 (6)
	3/8 (10)		
2 x 4 x 10	1-3/8 (35)	3/8 (10)	3/8 (10)
	3/8 (10)		

DISCHARGE	SUCTION	CASE BORE	D	DC	DH	L	M	Y	Z
1-1/2 (38)	3 (76)	10 (254)	8 (203)	7 (178)	14-1/2 (368)	12-1/4 (311)	5-3/4 (146)	5-13/16 (148)	6-1/8 (156)
2 (51)	4 (102)	10 (254)	9 (229)	7-5/8 (194)	15-11/16 (399)	13-7/16 (341)	6-3/4 (171)	6-9/16 (167)	6-9/16 (167)

NOTES:

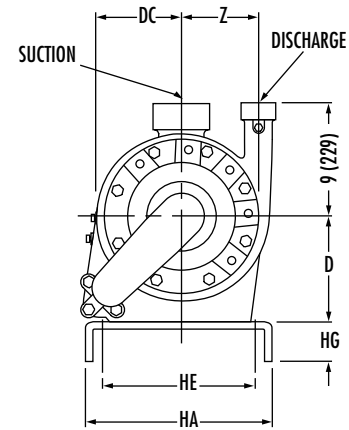
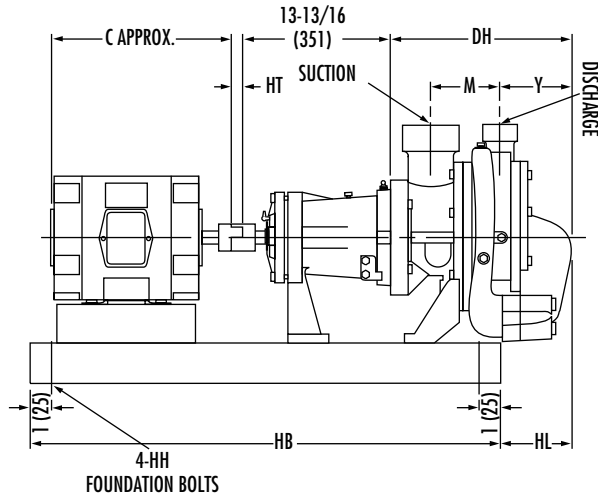
1. Dimensions may vary $\pm 1/4"$.
2. Not for construction purposes unless certified.
3. All dimensions in inches and (mm).

Section **370** Page **206**

Date **June 2013**

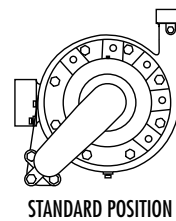
Supersedes **November 2001**

THIS PAGE LEFT INTENTIONALLY BLANK

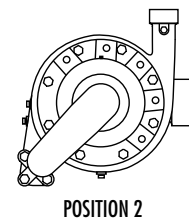


OPTIONAL POSITION (3)

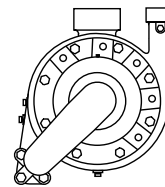
MOTOR	C	BASE NUMBER	HB	HT	HG	HE	HA	HH
143T	12 (305)	1 (25)	34 (864)	3/4 (19)	3 (76)	9 (229)	12 (305)	1/2 (13)
145T	13 (330)	1 (25)	34 (864)	3/4 (19)	3 (76)	9 (229)	12 (305)	1/2 (13)
182T	13 (330)	2 (51)	38 (965)	3/4 (19)	3 (76)	9 (229)	12 (305)	1/2 (13)
184T	14 (356)	2 (51)	38 (965)	3/4 (19)	3 (76)	9 (229)	12 (305)	1/2 (13)
213T	16 (356)	2 (51)	38 (965)	3/4 (19)	3 (76)	9 (229)	12 (305)	1/2 (13)
215T	18 (457)	3 (76)	42 (1067)	7/8 (22)	4 (102)	10 (229)	13 (305)	5/8 (16)
254T	21 (533)	3 (76)	42 (1067)	7/8 (22)	4 (102)	10 (254)	13 (330)	5/8 (16)
256T	23 (584)	4 (102)	52 (1321)	7/8 (22)	4-1/8 (105)	12 (305)	15 (381)	5/8 (16)
284TS	22 (559)	4 (102)	52 (1321)	7/8 (22)	4-1/8 (105)	12 (305)	15 (381)	5/8 (16)
286TS	24 (610)	4 (102)	52 (1321)	1 (25)	4-1/8 (105)	12 (305)	15 (381)	5/8 (16)
324TS	25 (635)	5 (127)	48 (1219)	1 (25)	4 (102)	15 (381)	18 (457)	5/8 (16)
326TS	26 (660)	5 (127)	48 (1219)	1 (25)	4 (102)	15 (381)	18 (457)	5/8 (16)
364TS	27 (686)	5 (127)	48 (1219)	1 (25)	4 (102)	15 (381)	18 (457)	5/8 (16)
365TS	28 (711)	6 (152)	54 (1372)	1/4 (6)	4 (102)	15 (381)	18 (457)	5/8 (16)



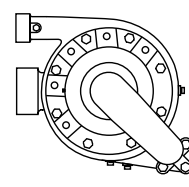
STANDARD POSITION 1



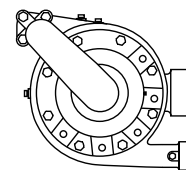
POSITION 2



POSITION 3



POSITION 4



POSITION 5

DIS-CHARGE	SUC-TION	CASE BORE	D	DC	DH	HL	M	Y	Z	FRAME	143T	145T	182T	184T	213T	215T	254T	256T	284TS	286TS	324TS	326TS	364TS	365TS
										C	11 (279)	12 (305)	13 (330)	14 (356)	16 (406)	18 (457)	21 (533)	23 (584)	22 (559)	24 (610)	25 (635)	26 (660)	27 (686)	28 (711)
1-1/2	3	10	8 (203)	7 (179)	14-1/2 (368)	8 (203)	5-3/4 (146)	5-13/16 (148)	6-1/8 (156)	BASE	1	1	2	2	2	3	3	4	4	4	5	5		
2	4	10	9 (229)	7-5/8 (194)	15-11/16 (398)	9-3/16 (233)	6-3/4 (171)	6-9/16 (167)	6-9/16 (167)	BASE			2	2	2	3	3	4	4	4	5	5	5	6

NOTES:

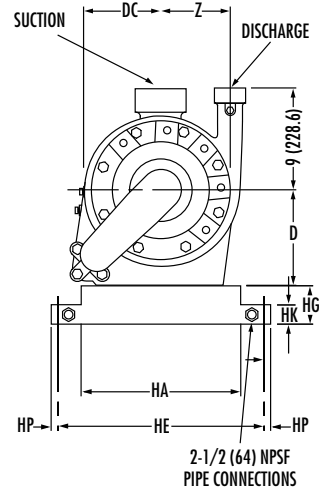
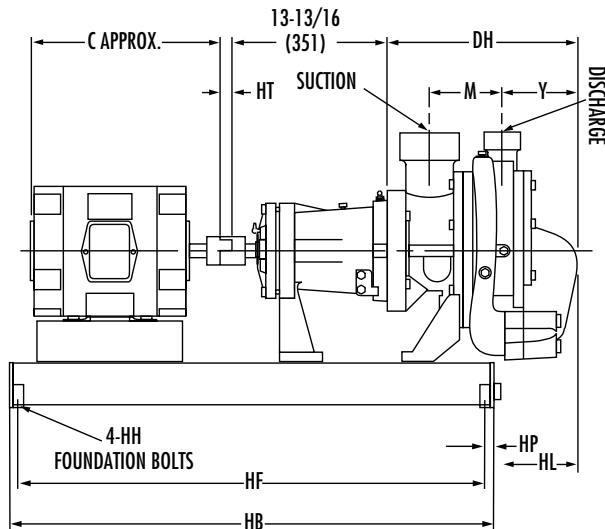
1. All dimensions in inches.
2. Dimensions may vary $\pm 1/4"$.
3. Not for construction purposes unless certified.
4. Conduit box is shown in approximate location. Dimensions are not specified as they vary with each motor manufacturer.

Section **370** Page **252**

Date **June 2013**

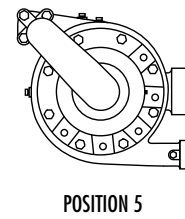
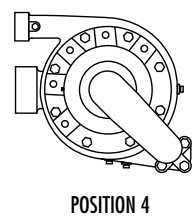
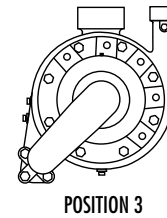
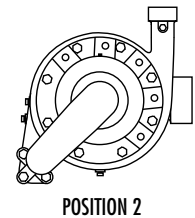
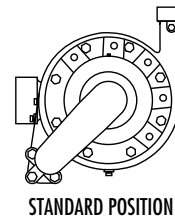
Date **November 2001**

THIS PAGE LEFT INTENTIONALLY BLANK



OPTIONAL POSITION (3)

MOTOR	C	BASE NUMBER	HB	HT	HG	HE	HA	HH	HK	HF	HP
143T	12 (305)	5 (127)	36-1/2 (927)	3/4 (19)	3 (76)	15-7/8 (403)	11 (279)	1/2 (13)	1-1/2 (38)	35-1/8 (892)	11/16 (17)
145T	13 (330)	5 (127)	36-1/2 (927)	3/4 (19)	3 (76)	15-7/8 (403)	11 (279)	1/2 (13)	1-1/2 (38)	35-1/8 (892)	11/16 (17)
182T	13 (330)	5 (127)	36-1/2 (927)	3/4 (19)	3 (76)	15-7/8 (403)	11 (279)	1/2 (13)	1-1/2 (38)	35-1/8 (892)	11/16 (17)
184T	14 (356)	5 (127)	36-1/2 (927)	3/4 (19)	3 (76)	15-7/8 (403)	11 (279)	1/2 (13)	1-1/2 (38)	35-1/8 (892)	11/16 (17)
213T	16 (406)	5 (127)	36-1/2 (927)	3/4 (19)	3 (76)	15-7/8 (403)	11 (279)	1/2 (13)	1-1/2 (38)	35-1/8 (892)	11/16 (17)
215T	18 (457)	6 (152)	42-1/2 (1080)	7/8 (22)	3 (76)	15-7/8 (403)	11 (279)	5/8 (16)	1-1/2 (38)	41-1/8 (1045)	11/16 (17)
254T	21 (533)	8 (203)	42-1/2 (1080)	7/8 (22)	3 (76)	19 (483)	14 (356)	5/8 (16)	1-1/2 (38)	41 (1041)	3/4 (19)
256T	23 (584)	9 (229)	48-1/2 (1232)	7/8 (22)	3 (76)	19 (483)	14 (356)	5/8 (16)	1-1/2 (38)	47 (1199)	3/4 (19)
284TS	22 (559)	9 (229)	48-1/2 (1232)	7/8 (22)	3 (76)	19 (483)	14 (356)	5/8 (16)	1-1/2 (38)	47 (1199)	3/4 (19)
286TS	24 (610)	9 (229)	48-1/2 (1232)	1 (25)	3 (76)	19 (483)	14 (356)	5/8 (16)	1-1/2 (38)	47 (1199)	3/4 (19)
324TS	25 (635)	11 (279)	46-1/2 (1181)	1 (25)	4 (102)	25-1/8 (638)	18 (457)	3/4 (19)	2 (51)	44-7/8 (1140)	13/16 (20)
326TS	26 (660)	11 (279)	46-1/2 (1181)	1 (25)	4 (102)	25-1/8 (638)	18 (457)	3/4 (19)	2 (51)	44-7/8 (1140)	13/16 (20)
364TS	27 (686)	11 (279)	46-1/2 (1181)	1 (25)	4 (102)	25-1/8 (638)	18 (457)	3/4 (19)	2 (51)	44-7/8 (1140)	13/16 (20)
365TS	28 (711)	12 (305)	54-1/2 (1384)	1/4 (6)	4 (102)	25-1/8 (638)	18 (457)	3/4 (19)	2 (51)	52-7/8 (1343)	13/16 (20)



DIS-CHARGE	SUC-TION	CASE BORE	D	DC	DH	HL	M	Y	Z	FRAME	143T	145T	182T	184T	213T	215T	254T	256T	284TS	286TS	324TS	326TS	364TS	365TS
										C	(279)	(305)	(330)	(356)	(406)	(457)	(533)	(584)	(559)	(610)	(635)	(660)	(686)	(711)
1-1/2	3	10	8 (203)	7 (179)	14-1/2 (368)	8 (203)	5-3/4 (146)	5-13/16 (148)	6-1/8 (156)	BASE	5	5	5	5	5	6	8	9	9	9	11	11		
2	4	10	9 (229)	7-5/8 (194)	15-11/16 (398)	9-3/16 (233)	6-3/4 (171)	6-9/16 (167)	6-9/16 (167)	BASE			5	5	5	6	8	9	9	9	11	11	11	12

NOTES:

- All dimensions in inches.
- Dimensions may vary $\pm 1/4"$.
- Not for construction purposes unless certified.
- Conduit box is shown in approximate location. Dimensions are not specified as they vary with each motor manufacturer.

Section **370** Page **302**

Date **June 2013**

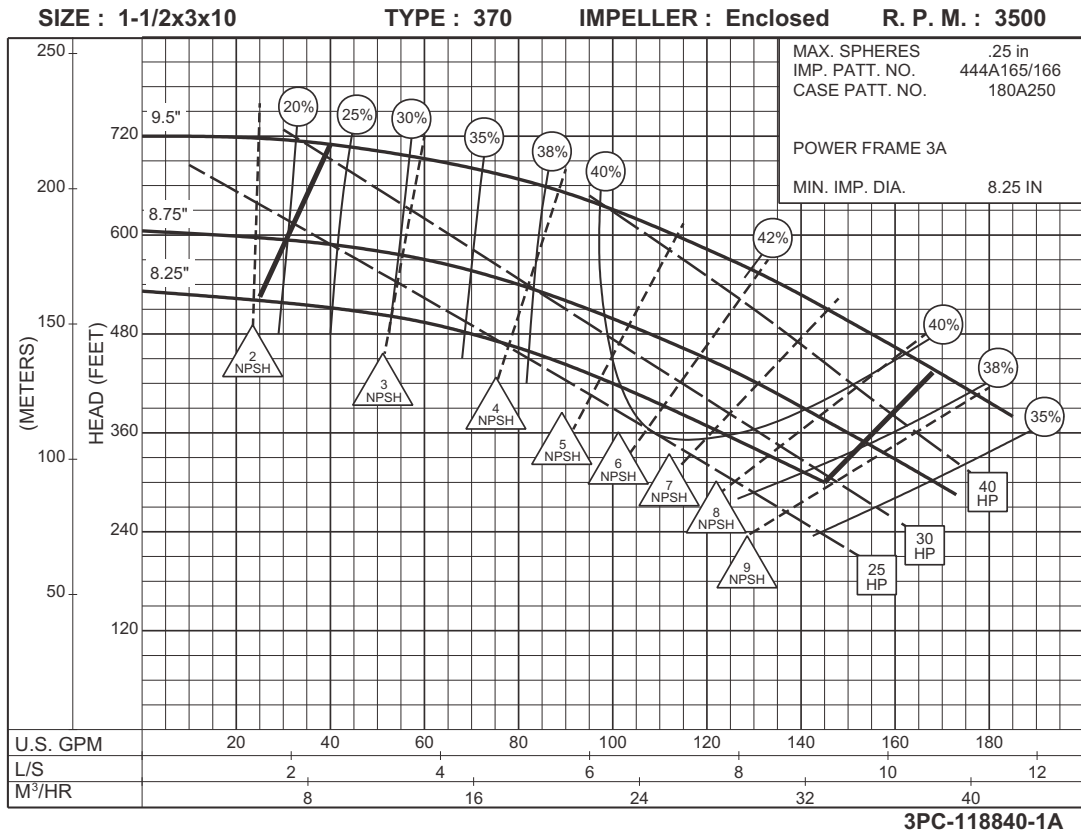
Date **November 2001**

THIS PAGE LEFT INTENTIONALLY BLANK

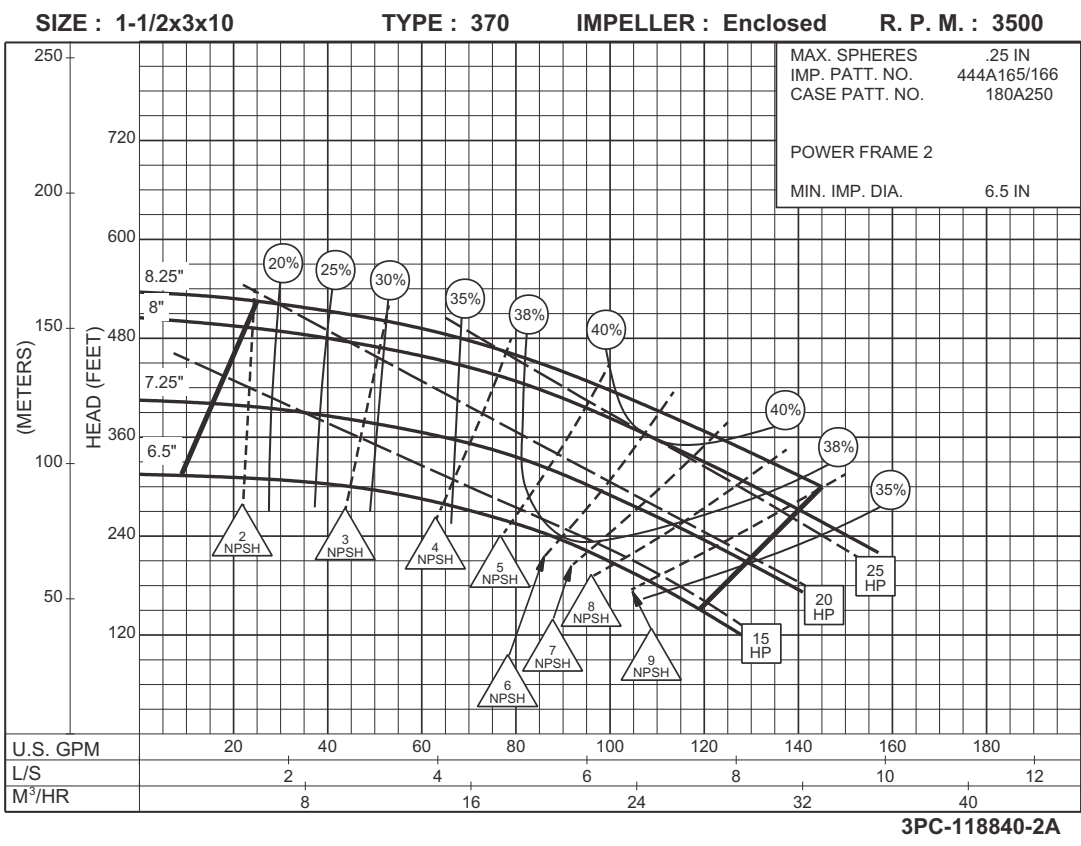
1-1/2 x 3 x 10 SERIES 370

ENCLOSED IMPELLER

Supersedes Section 370 Page 401
Dated January 2001



3500
R.P.M



3500
R.P.M

Supersedes Section 370 Page 402
 Dated January 2001

SIZE : 1-1/2x3x10

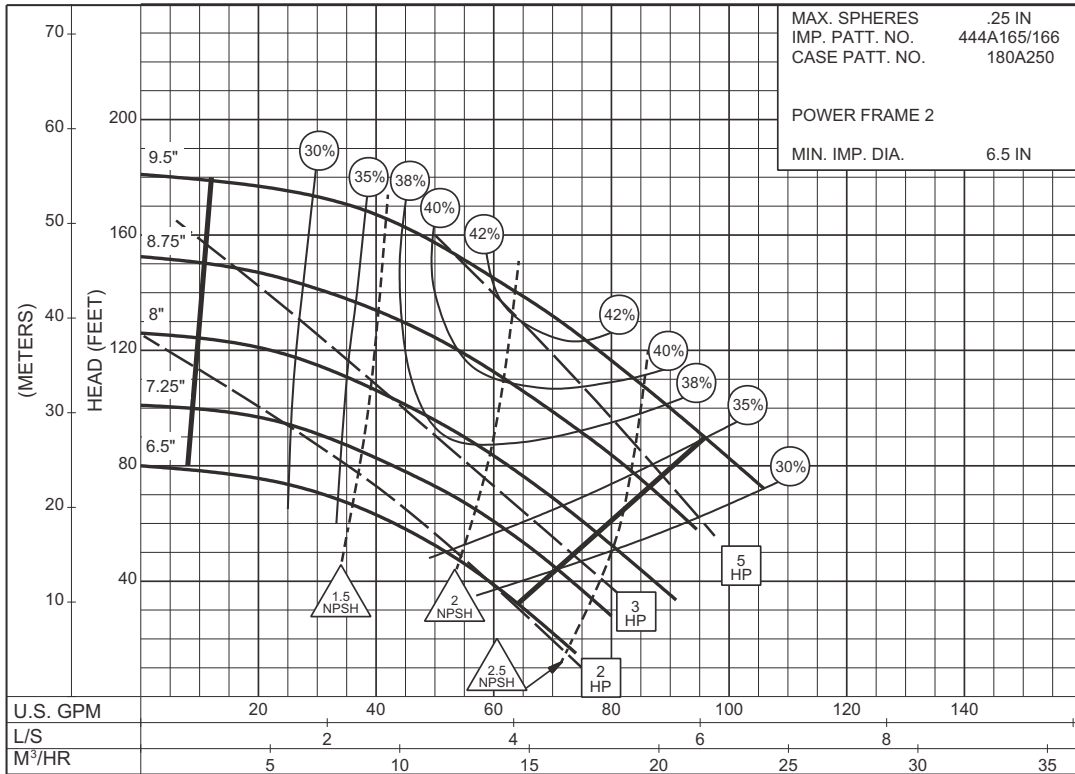
TYPE : 370

IMPELLER : Enclosed

R. P. M. : 1750

MAX. SPHERES .25 IN
 IMP. PATT. NO. 444A165/166
 CASE PATT. NO. 180A250
 POWER FRAME 2
 MIN. IMP. DIA. 6.5 IN

1750
R.P.M



3PC-118841A

2 x 4 x 10 SERIES 370

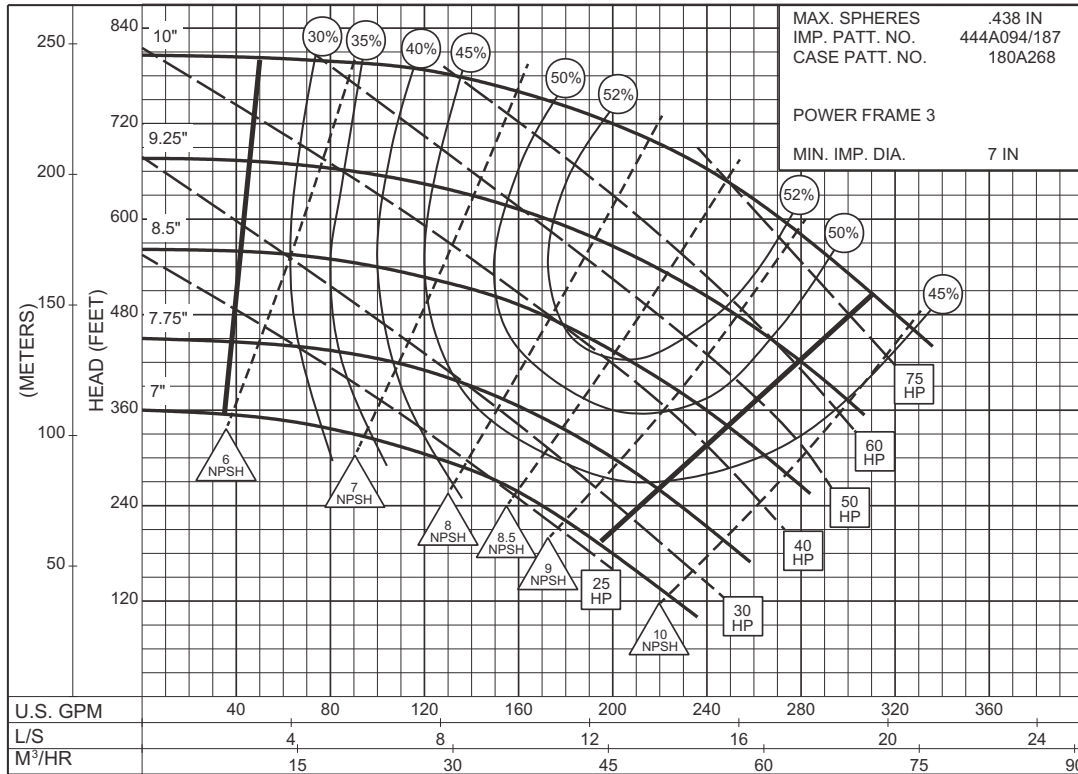
ENCLOSED IMPELLER

SIZE : 2x4x10

TYPE : 370

IMPELLER : Enclosed

R. P. M. : 3500



PC-124463A

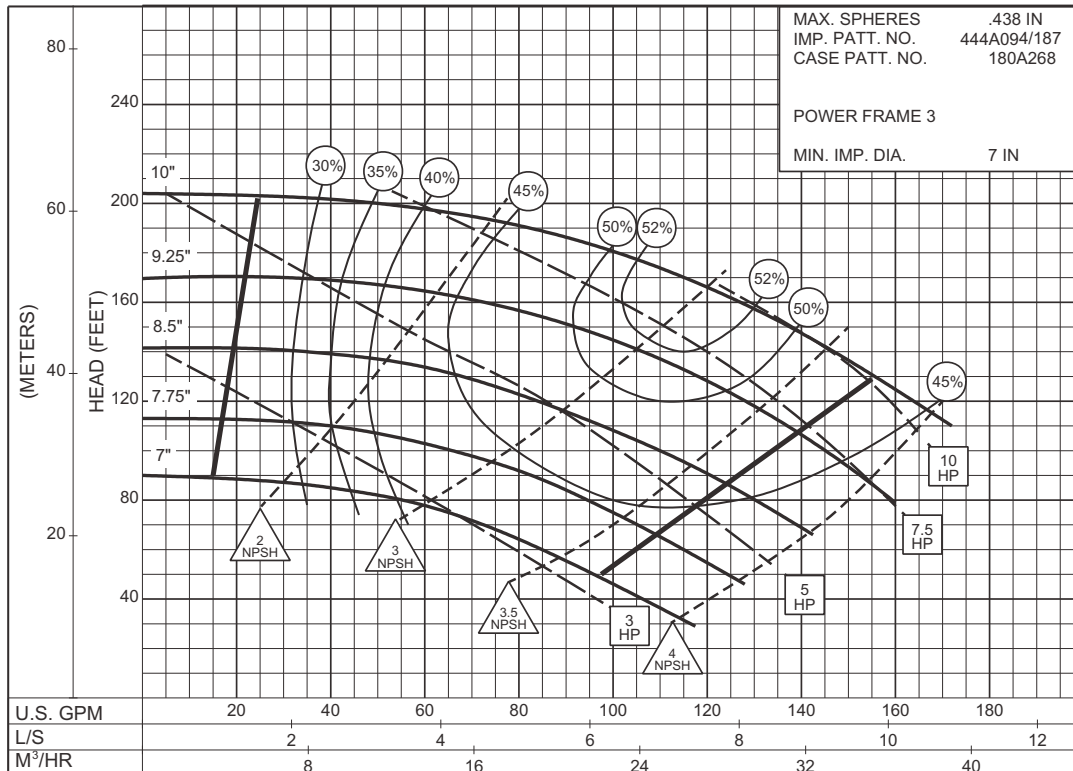
3500
R.P.M

SIZE : 2x4x10

TYPE : 370

IMPELLER : Enclosed

R. P. M. : 1750



PC-124464A

1750
R.P.M

Section **370** Page **404**

Date **June 2013**

Supersedes Section 370 Page 404
Dated January 2001

THIS PAGE LEFT INTENTIONALLY BLANK