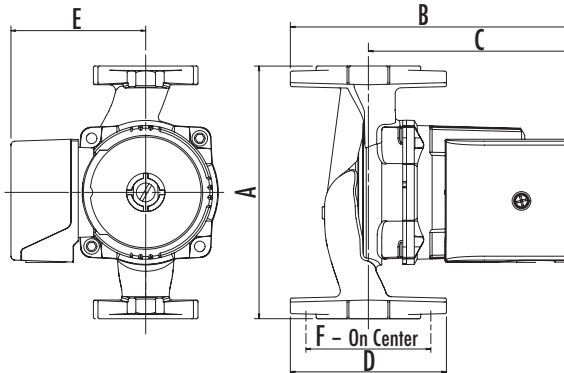


AURORA ACCESSORIES
3-SPEED WET ROTOR CIRCULATORS
 SERIES 1070



1070-303/503 Flanged

Dimensions and Weights								
Bronze	A	B	C	D	E	F	Connection Type & Size	Weight
1070-303B	6-3/8 (162)	7-1/8 (180)	5-1/8 (130)	4 (102)	3-3/8 (86)	3-1/4 (80)	Flange - (2) 1/2" Dia. Bolt Holes	7.0 (3.2)
1070-503B	6-3/8 (162)	7-1/8 (180)	5-1/8 (130)	4 (102)	3-3/8 (86)	3-1/4 (80)	Flange - (2) 1/2" Dia. Bolt Holes	7.4 (3.4)

Cast Iron	A	B	C	D	E	F	Connection Type & Size	Weight
1070-303	6-3/8 (162)	7-1/8 (180)	5-1/8 (130)	4 (102)	3-3/8 (86)	3-1/4 (80)	Flange - (2) 1/2" Dia. Bolt Holes	6.5 (2.9)
1070-503	6-3/8 (162)	7-1/8 (180)	5-1/8 (130)	4 (102)	3-3/8 (86)	3-1/4 (80)	Flange - (2) 1/2" Dia. Bolt Holes	6.8 (3.1)

NOTE: All dimensions are in inches (mm) and weights in lbs. (kg).

Materials of Construction

Pump Body	Cast Iron (closed systems), Bronze (open systems)
Impeller	Polypropylene (glass filled)
Shaft	Stainless Steel
Bearings	Graphite
Gasket Material	EPDM

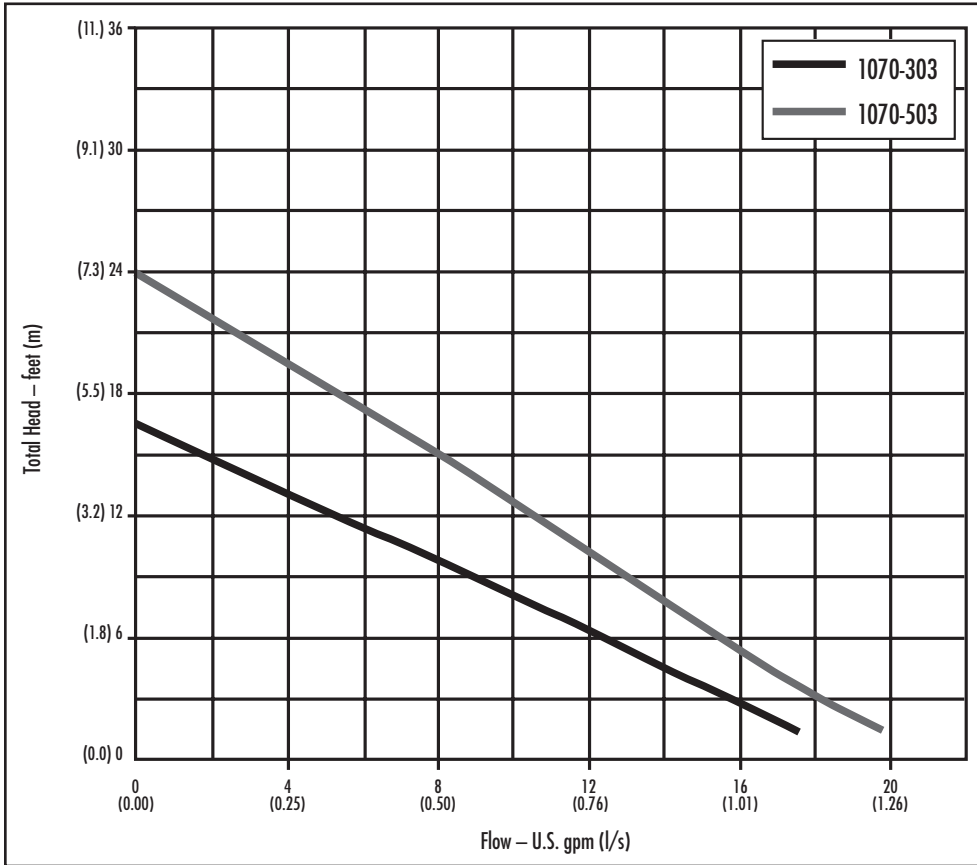
Technical Data

Flow Range	0 – 20 U.S. gpm (0 – 1.26 L/s)
Head Range	0 – 32 ft (0 – 9.8 m)
Motor	115V, 60 Hz, Single Phase
Maximum Fluid Temperature	Closed System: 230°F (110°C)*
Maximum Working Pressure	140 psi (965 kPa)

***NOTE:** For bronze pumps used in potable water systems, it is recommended that the operating temperature of the fluid be kept as low as possible (i.e. below 150°F/66°C) to avoid precipitation of calcium.

Motor Data

Model	Speed (RPM)	Full Load Amp Draw (A)	Nominal Power (HP)
1070-303	2800	0.70	1/25
1070-503	2800	0.95	1/20



AURORA ACCESSORIES
3-PIECE IN-LINE CIRCULATORS
 SERIES 1070

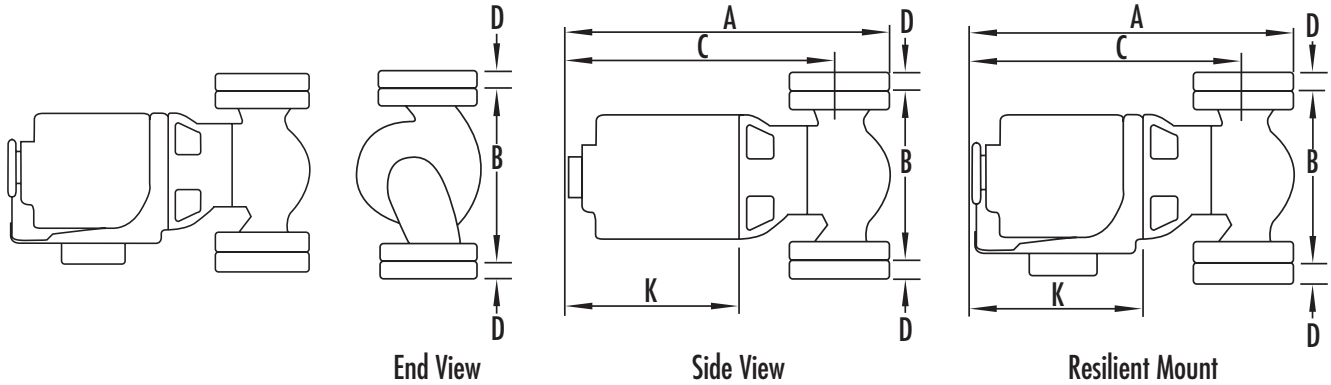


Fig. A Horizontal Mounting

Model	Flange Size (NPT)	Motor*		Dimensions in inches (mm)				Shipping Weight lbs. (kg)
		HP	Phase & Volt	A	B	C	D	
1070-APAB332	1	1/6	1 Phase 115V	15 (381)	8-1/2 (216)	12-1/2 (318)	7/8 (22)	33 (15)
	1-1/4							
	1-1/2							
1070-APAB341	1	1/6		15-1/4 (387)	8-1/2 (216)	12-1/2 (318)	3/4 (19)	33 (15)
1070-APBF351	1	1/4		17-1/4 (438)	11-1/2 (292)	13-1/2 (343)	3/4 (19)	53 (24)
1070-APBF352	1-1/4	1/3		17-1/4 (438)	11-1/2 (292)	13-1/2 (343)	7/8 (22)	54 (24)
1070-APBF353	1-1/2	1/2		20 (508)	11-1/2 (292)	16-1/2 (419)	7/8 (22)	64 (29)
1070-APBF354	2	3/4		20 (508)	11-1/2 (292)	16-1/2 (419)	7/8 (22)	71 (32)
1070-APBF363	1-1/2	1/2		23 (584)	13-1/2 (343)	19-3/4 (502)	7/8 (22)	96 (44)
1070-APBF364	1-1/2	3/4		23 (584)	13-1/2 (343)	19-3/4 (502)	7/8 (22)	100 (45)
1070-APBF365	1-1/2	1		23 (584)	13-1/2 (343)	19-3/4 (502)	7/8 (22)	102 (46)
1070-APBF366	2	3/4		23-1/4 (591)	14 (356)	19-3/4 (502)	7/8 (22)	120 (54)
1070-APBF367	2	1	23-1/4 (591)	14 (356)	19-3/4 (502)	7/8 (22)	125 (57)	
1070-APBF368	2	1-1/2	3 Phase 208/230/460 or 575V	21-3/4 (552)	14 (356)	18-1/4 (464)	7/8 (22)	130 (59)

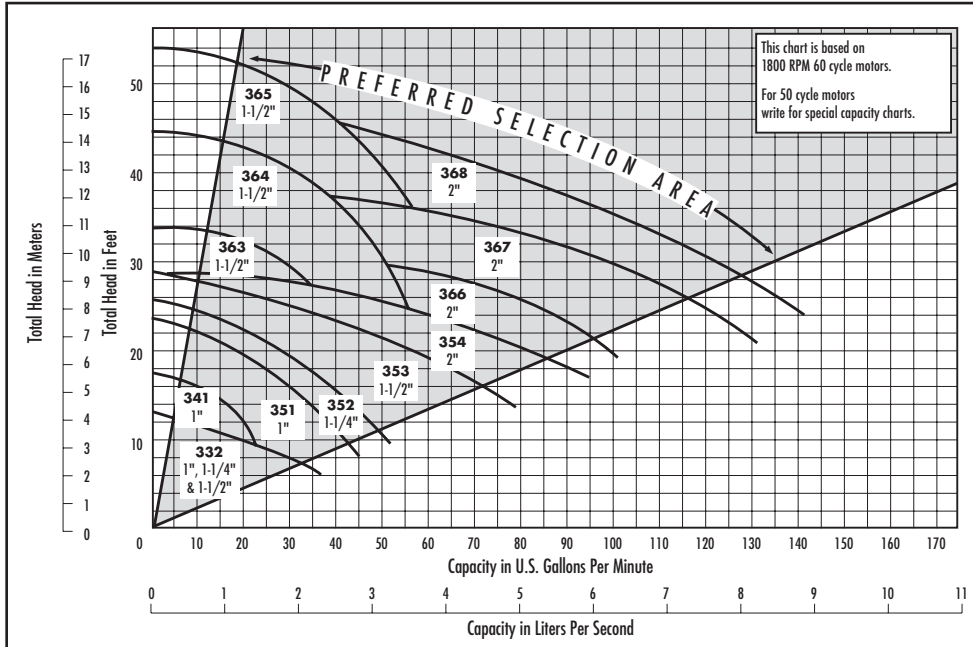
NOTE: Dimensions shown are for reference only.

* All single phase motors are equipped with built-in thermal overload protection. Three phase motors require external overload protection. Conduit box not supplied on 1/2 HP or greater.

Maximum Working Conditions

Maximum Working Pressure:	125 psig – (863 kPa)
Maximum Operating Temperature:	225°F (107°C)

AURORA ACCESSORIES
3-PIECE IN-LINE CIRCULATORS
SERIES 1070



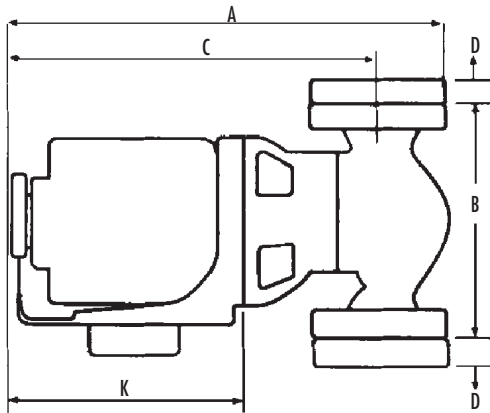
Materials of Construction

Part Name	332, 341, 351-354BF (Bronze Fitted)	363-368BF (Bronze Fitted)	332, 341, 351-354AB (All Bronze)	363-368AB (All Bronze)
Pump Body	Cast Iron	Cast Iron	Bronze	Bronze
Impeller	Non-Ferrous	Non-Ferrous	Non-Ferrous	Non-Ferrous
Bearings	Sleeve-Oil Lubricated	Sleeve-Oil Lubricated	Sleeve-Oil Lubricated	Sleeve-Oil Lubricated
Shaft	Alloy Steel-Copper Sleeve	Alloy Steel-Copper Sleeve	Alloy Steel-Copper Sleeve	Alloy Steel-Copper Sleeve
Seal	Mechanical	Mechanical	Mechanical	Mechanical
Stationary Seal Face	Ceramic	Ceramic	Ceramic	Ceramic
Coupler	332 & 341 Flexible, 4-Spring 351 to 354 Flexible, Spacer Type	Flexible, Spacer Type	332 & 341 Flexible, 4-Spring 351 to 354 Flexible, Spacer Type	Flexible, Spacer Type

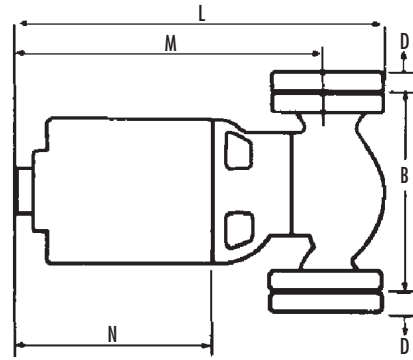
AURORA ACCESSORIES
3-PIECE IN-LINE CIRCULATORS
 SERIES 1070

Dated **JUNE 2013**

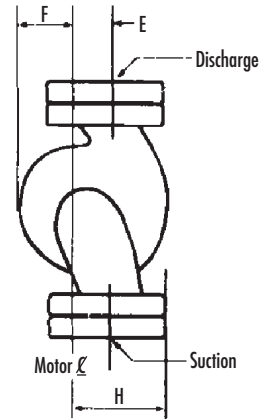
Supersedes Section 1070 Page 205
 Dated February 2012



Resilient Mount



Rigid Mount



Model	Flange Size (NPT)	Motor*		Dimensions in inches (mm)				Weight lbs. (kg)
		HP	Phase & Volt	A	B	C	D	
1070-APBF325	3/4	1/12	1 Phase 115V	13-3/4 (349)	6-1/2 (165)	11-1/2 (292)	3/4 (19)	20 (9)
	1						3/4 (19)	
	1-1/4						7/8 (22)	
	1-1/2						7/8 (22)	
1070-APBF335	2	1/6	1 Phase 115V	15 (581)	8-1/2 (216)	12-1/2 (318)	7/8 (22)	35 (16)
1070-APBF345	2-1/2	1/4		15-3/4 (400)	10 (254)	12-1/2 (318)	1 (25)	51 (23)
1070-APBF346	3			15-3/4 (400)	10 (254)	12-1/2 (318)	1 (25)	51 (23)
1070-APBF355	3	1/2	1 Phase 115/230V or 3 Phase 208-230/460 or 575V	19-1/2 (495)	12 (305)	16 (406)	1 (25)	82 (37)
1070-APBF357	3	3/4		20 (508)	12 (305)	16-1/2 (419)	1 (25)	85 (39)
1070-APBF369	3	1		25 (635)	14-1/4 (362)	20 1/4 (514)	1 (25)	135 (61)

NOTE: Dimensions shown are for reference only.

* All single phase motors are equipped with built-in thermal overload protection. Three phase motors require external overload protection. Conduit box not supplied on 1/2 HP or greater.

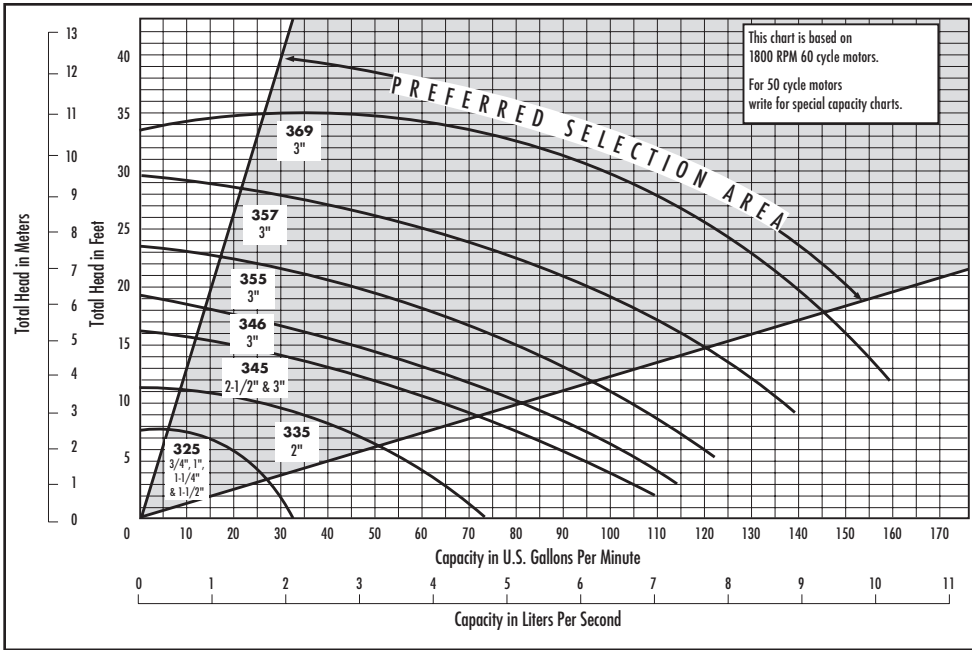
Materials of Construction

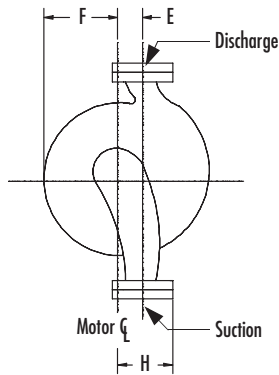
Part Name	*BF (Bronze Fitted)	*AB (All Bronze)
Pump Body	Cast Iron	Bronze
Impeller	Non-Ferrous	Non-Ferrous
Bearings	Sleeve-Oil Lubricated	Sleeve-Oil Lubricated
Shaft	Alloy Steel-Copper Sleeve	Alloy Steel-Copper Sleeve
Seal	Mechanical	Mechanical
Stationary Seal Face	Ceramic	Ceramic
Coupler	325-346: Flexible, 4-Spring	
	355-369: Flexible Spacer Type	
Motor	Single Phase - 1800 RPM - Resilient Mounted Three Phase - 1800 RPM - Resilient Mounted	

Maximum Working Conditions

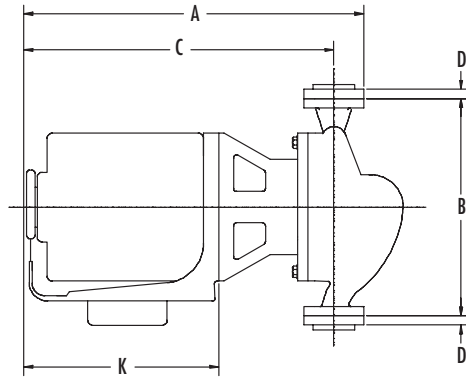
Maximum Working Pressure	125 psig - (863 kPa)
Maximum Operating Temperature	225°F (107°C)

AURORA ACCESSORIES
3-PIECE IN-LINE CIRCULATORS
SERIES 1070





Rigid Mount



Resilient Mount

Pump Body Dimensions

Pump Size	Flange Size	Dimensions in inches (mm)				
		B	D	E	F	H
1A	1	11-1/2 (292)	3/4 (19)	1-3/8 (35)	3-3/4 (95)	4-1/8 (105)
1-1/4A	1-1/4	11-1/2 (292)	7/8 (22)	1-3/8 (35)	3-3/4 (95)	4-1/8 (105)

NOTES:

1. Dimensions shown are for reference only.
2. Rotation viewed from motor end is clockwise.
3. Tapped openings are provided in the pump body for venting and gauge connections.

Pump and Motor Data

Pump Size	Motor HP	Dimensions in inches (mm) Single Phase – Three Phase Resilient Mount			Shipping Weight lbs. (kg)
		A	C	K	
1A	1/4	17-1/4 (438)	13-1/2 (343)	7-3/8 (187)	48 (22)
	1/3	17-1/4 (438)	13-1/2 (343)	7-3/8 (187)	48 (22)
1-1/4A	1/4	17-1/4 (438)	13-1/2 (343)	7-3/8 (187)	48 (22)
	1/3	17-1/4 (438)	13-1/2 (343)	7-3/8 (187)	48 (22)
	1/2	19-3/4 (502)	16 (406)	9-7/8 (251)	58 (26)

Materials of Construction

Part Name	Bronze Fitted	All Bronze
Pump Body	Cast Iron	Bronze
Impeller	Non-Ferrous	Non-Ferrous
Bearings	Sleeve–Oil Lubricated	Sleeve–Oil Lubricated
Shaft	Alloy Steel–Copper Sleeve	Alloy Steel–Copper Sleeve
Seal	Mechanical	Mechanical
Stationary Seal Face	Ceramic	Ceramic
Coupler	Flexible, Spacer Type	
Motor	1800 RPM – Resilient Mount Single Phase – 1/4 and 1/3 HP – Resilient Mount Single or Three Phase – 1/2 HP – Resilient Mount Three Phase – 1/4 and 1/3 HP – Rigid Mount	

Motor Design Data

RPM	1750
Maximum Working Pressure	175 psi (1208 kPa)
Maximum Operating Temperature	225°F (107°C)

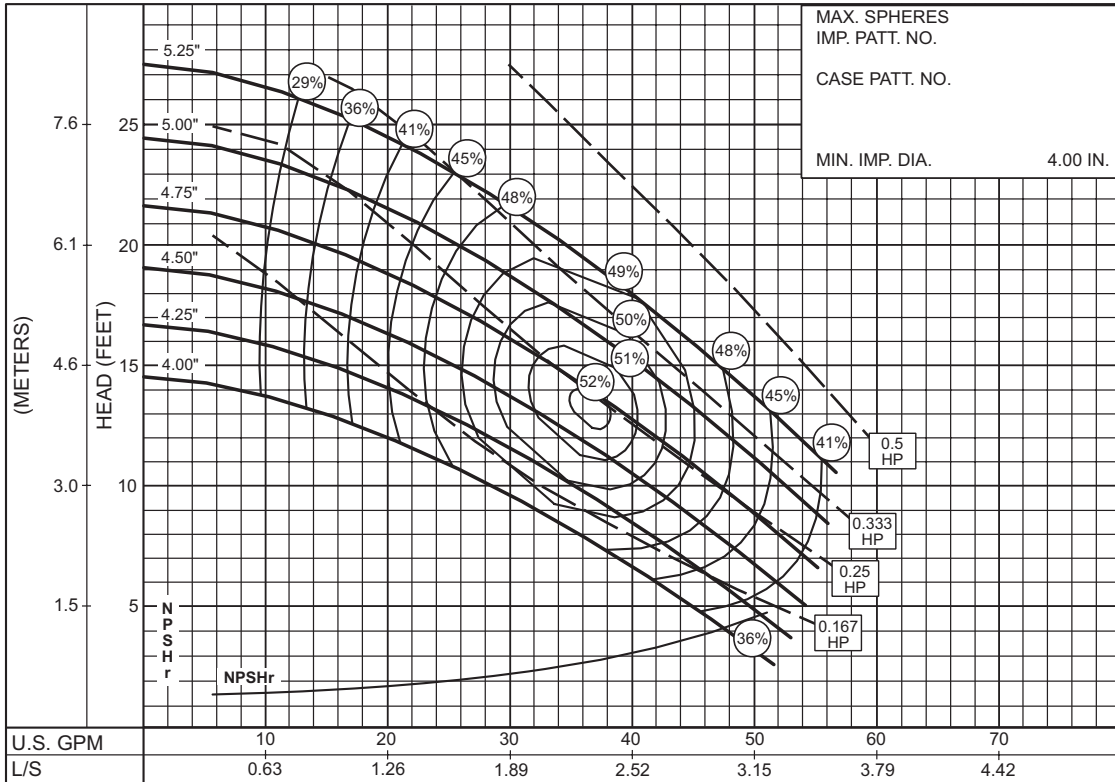


AURORA ACCESSORIES

IN-LINE CIRCULATORS

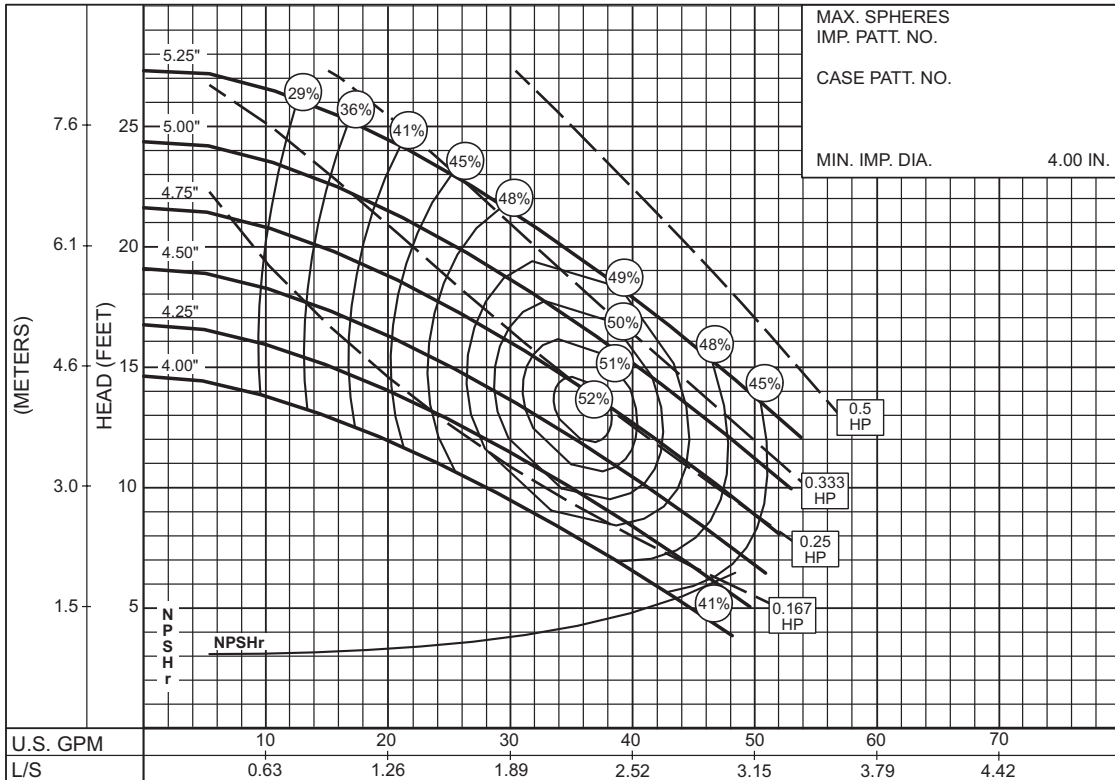
SERIES 1070 - 1A AND 1-1/4A

SIZE : 1A TYPE : 1070-AP xx IMPELLER : Enclosed R. P. M. : 1800

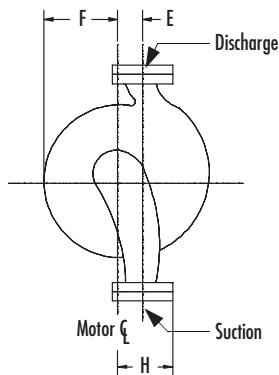


1800
RPM

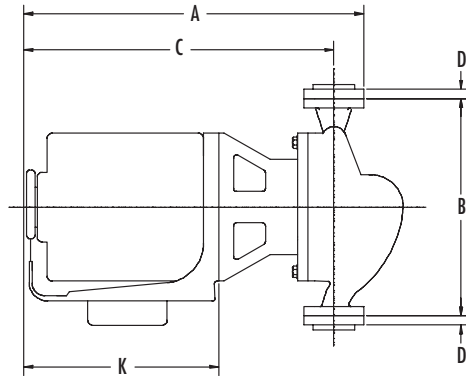
SIZE : 1.25A TYPE : 1070-AP xx IMPELLER : Enclosed R. P. M. : 1800



1800
RPM



Rigid Mount



Resilient Mount

Pump Body Dimensions

Pump Size	Flange Size	Dimensions in inches (mm)				
		B	D	E	F	H
1-1/2A	1-1/2	11-1/2 (292)	7/8 (22)	1-3/8 (35)	3-3/4 (95)	4-1/8 (105)
2A	2	11-1/2 (292)	7/8 (22)	1-3/8 (35)	3-3/4 (95)	4-1/8 (105)

NOTES:

1. Dimensions shown are for reference only.
2. Rotation viewed from motor end is clockwise.
3. Tapped openings are provided in the pump body for venting and gauge connections.

Pump and Motor Data

Pump Size	Motor HP	Dimensions in inches (mm) Single Phase – Three Phase Resilient Mount			Shipping Weight lbs. (kg)
		A	C	K	
1-1/2A	1/4	17-1/4 (438)	13-1/2 (343)	7-3/8 (187)	48 (22)
	1/3	17-1/4 (438)	13-1/2 (343)	7-3/8 (187)	48 (22)
	1/2	19-3/4 (502)	16 (406)	9-7/8 (251)	58 (26)
	3/4	20 (508)	16-1/2 (419)	10-3/8 (264)	75 (34)
2A	1/3	17-1/4 (438)	13-1/2 (343)	7-3/8 (187)	55 (25)
	1/2	19-3/4 (502)	16 (406)	9-7/8 (251)	72 (33)
	3/4	20 (508)	16-1/2 (419)	10-3/8 (264)	75 (34)
	1	20-3/4 (527)	17 (431)	10-7/8 (276)	80 (36)

Materials of Construction

Part Name	Bronze Fitted	All Bronze
Pump Body	Cast Iron	Bronze
Impeller	Non-Ferrous	Non-Ferrous
Bearings	Sleeve–Oil Lubricated	Sleeve–Oil Lubricated
Shaft	Alloy Steel–Copper Sleeve	Alloy Steel–Copper Sleeve
Seal	Mechanical	Mechanical
Stationary Seal Face	Ceramic	Ceramic
Coupler	Flexible, Spacer Type	
Motor	1800 RPM – Resilient Mount Single Phase – 1/4 and 1/3 HP – Resilient Mount Single or Three Phase – 1/2 HP and 1 HP – Resilient Mount Three Phase – 1/4 and 1/3 HP – Rigid Mount	

Motor Design Data

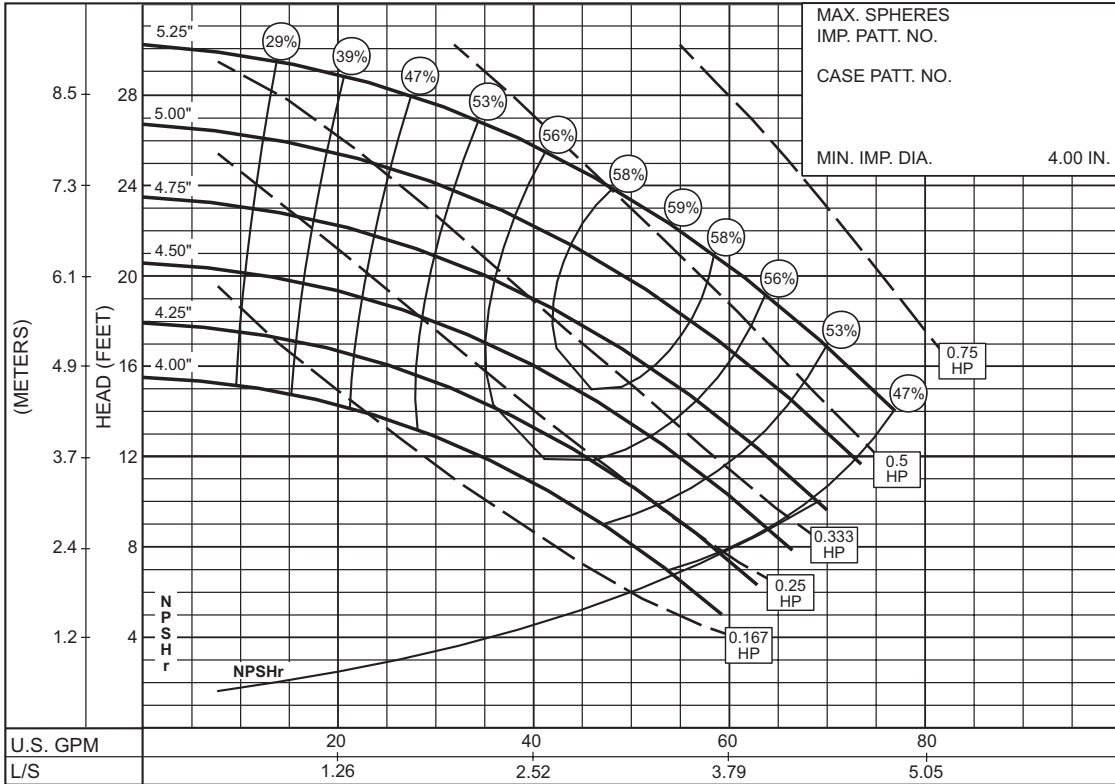
RPM	1750
Maximum Working Pressure	175 psi (1208 kPa)
Maximum Operating Temperature	225°F (107°C)

AURORA ACCESSORIES

IN-LINE CIRCULATORS

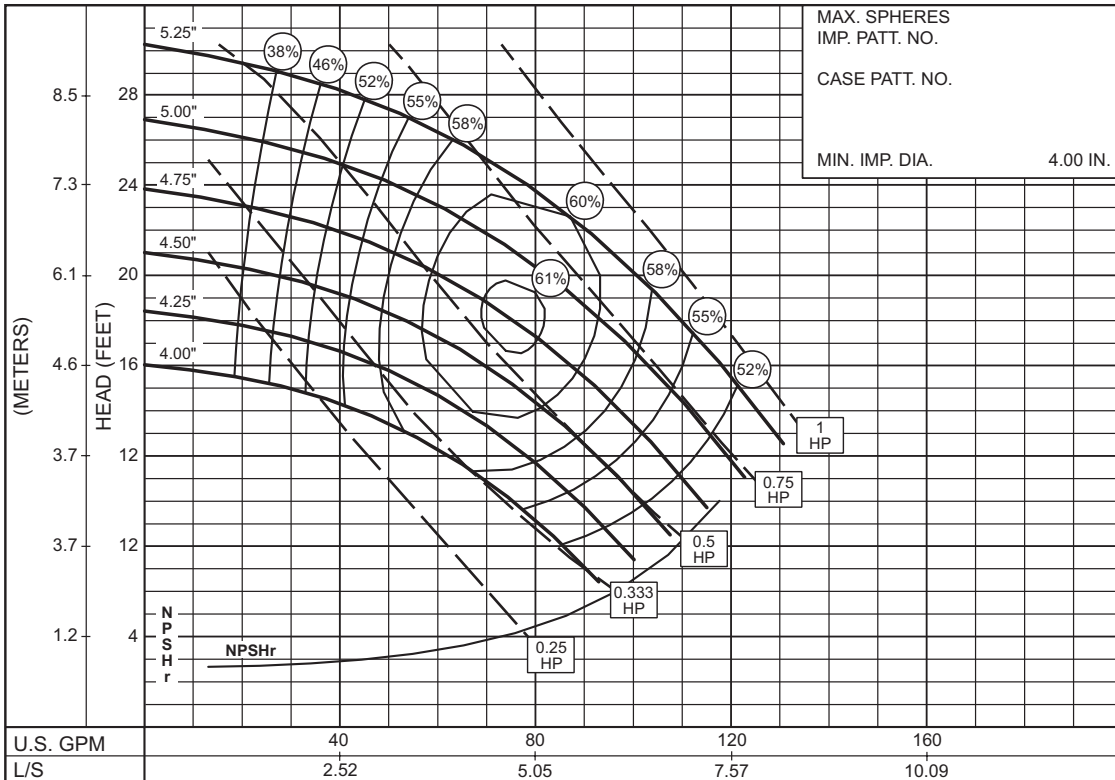
SERIES 1070 – 1-1/2A AND 2A

SIZE : 1.5A TYPE : 1070-AP xx IMPELLER : Enclosed R. P. M. : 1800



1800
RPM

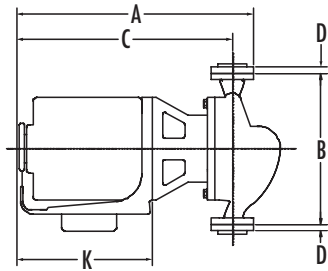
SIZE : 2A TYPE : 1070-AP xx IMPELLER : Enclosed R. P. M. : 1800



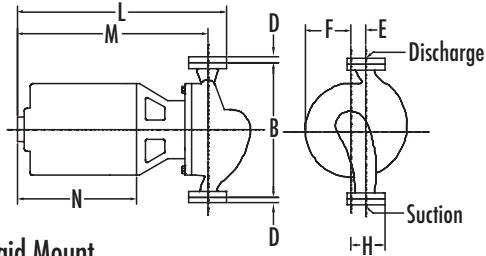
1800
RPM

AURORA ACCESSORIES

IN-LINE CIRCULATORS SERIES 1070 – 1-1/2B AND 2B



Resilient Mount



Rigid Mount

Materials of Construction

Part Name	Bronze Fitted	All Bronze
Pump Body	Cast Iron	Bronze
Impeller	Bronze	Bronze
Bearings	Sleeve–Oil Lubricated	Sleeve–Oil Lubricated
Shaft	Alloy Steel–Copper Sleeve	Alloy Steel–Copper Sleeve
Seal	Mechanical	Mechanical
Stationary Seal Face	Ceramic	Ceramic
Coupler	Flexible, Spacer Type	
Motor	1800 RPM Single or Three Phase thru 1 HP – Resilient Mount Single or Three Phase 1-1/2 HP – Rigid Mount Three Phase 2 HP and above – Rigid Mount	

Pump Body Dimensions

Pump Size	Flange Size	Dimensions in inches (mm)				
		B	D	E	F	H
1-1/2B	1-1/2	13.50 (343)	0.88 (22)	1.00 (25)	4.63 (117)	4.88 (124)
2B	2	14.00 (356)	0.88 (22)	1.00 (25)	4.75 (121)	5.13 (130)

NOTES:

1. Dimensions shown are for reference only.
2. Rotation viewed from motor end is clockwise.
3. Tapped openings are provided in the pump body for venting and gauge connections.

Pump and Motor Data

Pump Size	Motor HP	Dimensions in inches (mm)						Shipping Weight lbs. (kg)
		Resilient Mount			Rigid Mount			
		A	C	K	L	M	N	
1-1/2B	0.5	22.00 (559)	18.75 (476)	9.88 (251)	–	–	–	86 (39.0)
	0.75	23.00 (584)	19.75 (502)	10.38 (264)	–	–	–	82 (37.2)
	1	23.50 (597)	20.25 (514)	10.88 (276)	–	–	–	92 (41.7)
	1.5	–	–	–	21.50 (546)	18.25 (464)	8.88 (225)	115 (52.2)
2B	0.5	22.75 (578)	19.25 (489)	9.88 (251)	–	–	–	90 (40.8)
	0.75	23.75 (603)	19.75 (502)	10.38 (264)	–	–	–	96 (43.5)
	1	23.75 (603)	20.25 (514)	10.88(276)	–	–	–	100 (45.4)
	1.5	–	–	–	21.75 (552)	18.25 (464)	8.88 (225)	120 (54.4)
	2	–	–	–	22.75 (578)	19.25 (489)	9.88 (251)	124 (56.2)

Motor Design Data

RPM	1750
Maximum Working Pressure	175 psig (1208 kPa)
Maximum Operating Temperature	225°F (107°C)

AURORA ACCESSORIES

Dated JUNE 2013

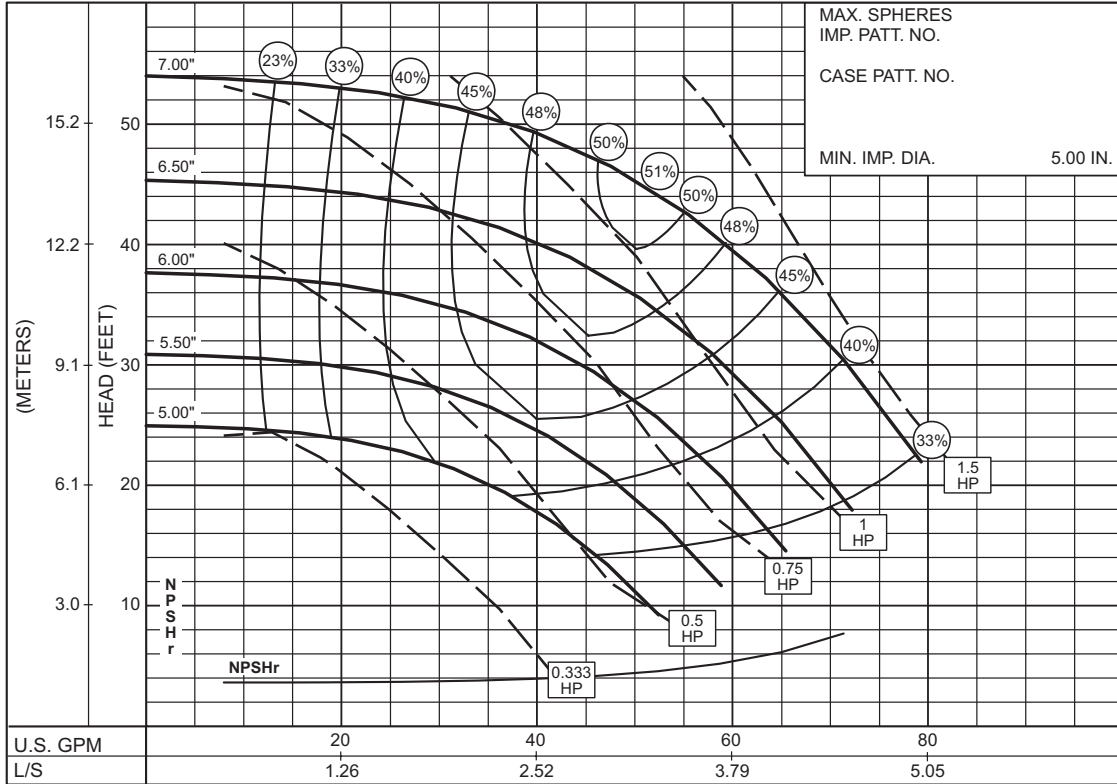
IN-LINE CIRCULATORS

Supersedes Section 1070 Page 212

SERIES 1070 - 1-1/2B AND 2B

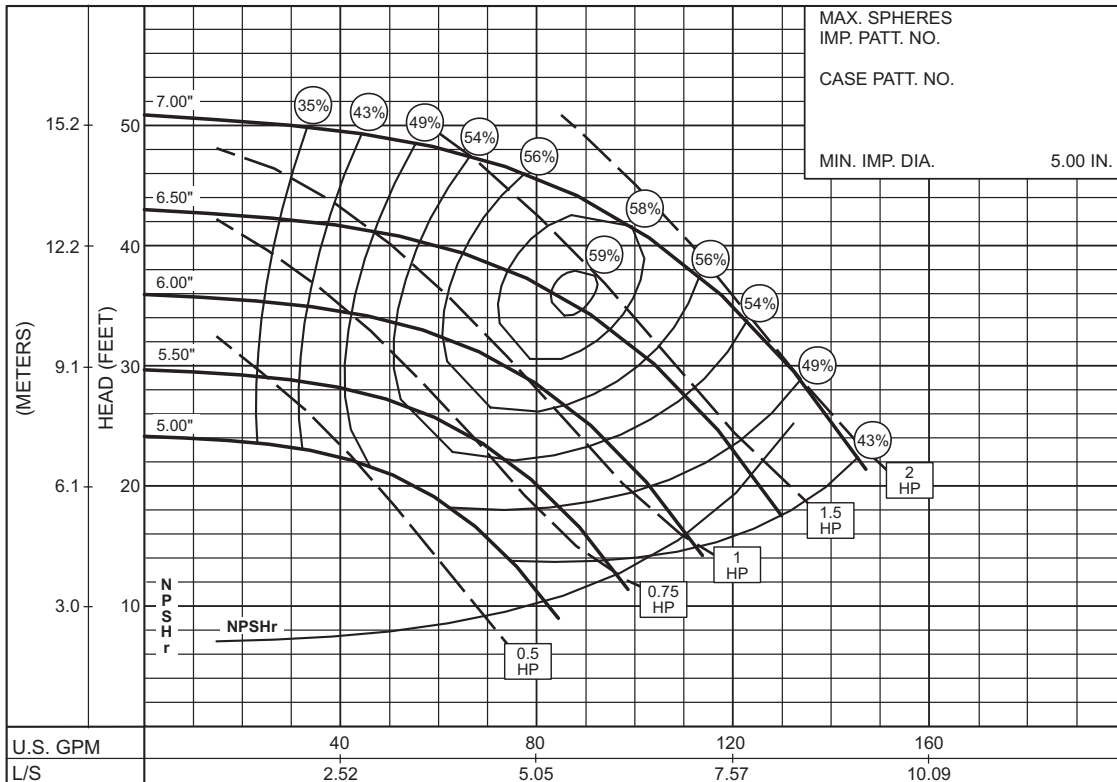
Dated March 2011

SIZE : 1.5B TYPE : 1070-AP xx IMPELLER : Enclosed R. P. M. : 1800



1800
RPM

SIZE : 2B TYPE : 1070-AP xx IMPELLER : Enclosed R. P. M. : 1800

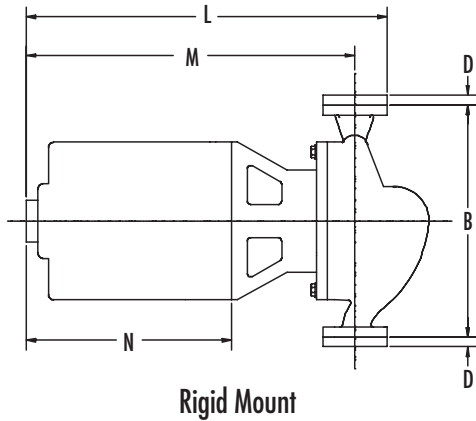


1800
RPM

AURORA ACCESSORIES

IN-LINE CIRCULATORS

SERIES 1070 – 3B



Materials of Construction

Part Name	Bronze Fitted	All Bronze
Pump Body	Cast Iron	Bronze
Impeller	Non-Ferrous	Non-Ferrous
Bearings	Sleeve–Oil Lubricated	Sleeve–Oil Lubricated
Shaft	Alloy Steel–Copper Sleeve	Alloy Steel–Copper Sleeve
Seal	Mechanical	Mechanical
Stationary Seal Face	Ceramic	Ceramic
Coupler	Flexible, Spacer Type	
Motor	1800 RPM – Rigid Mount Single or Three Phase 1 and 1-1/2 HP Three Phase – 2 and 3 HP	

Pump Body Dimensions

Pump Size	Motor HP	Flange Size	Dimensions in inches (mm)					Shipping Weight lbs. (kg)
			L	B	M	D	N	
3B	1	3	23-1/2 (597)	18 (457)	18-1/2 (470)	1 (25)		135 (61)
	1-1/2	3	24 (610)	18 (457)	19 (483)	1 (25)	8-7/8 (225)	138 (63)
	2	3	25 (635)	18 (457)	20 (508)	1 (25)	9-7/8 (251)	143 (65)
	3	3	27-3/4 (705)	18 (457)	22-3/4 (578)	1 (25)		150 (68)

NOTES:

1. Dimensions shown are for reference only.
2. Three phase motors require external overload protection.

Motor Design Data

RPM	1750
Maximum Working Pressure	175 psi (1208 kPa)
Maximum Operating Temperature	225°F (107°C)

AURORA ACCESSORIES

IN-LINE CIRCULATORS

SERIES 1070 – 3B

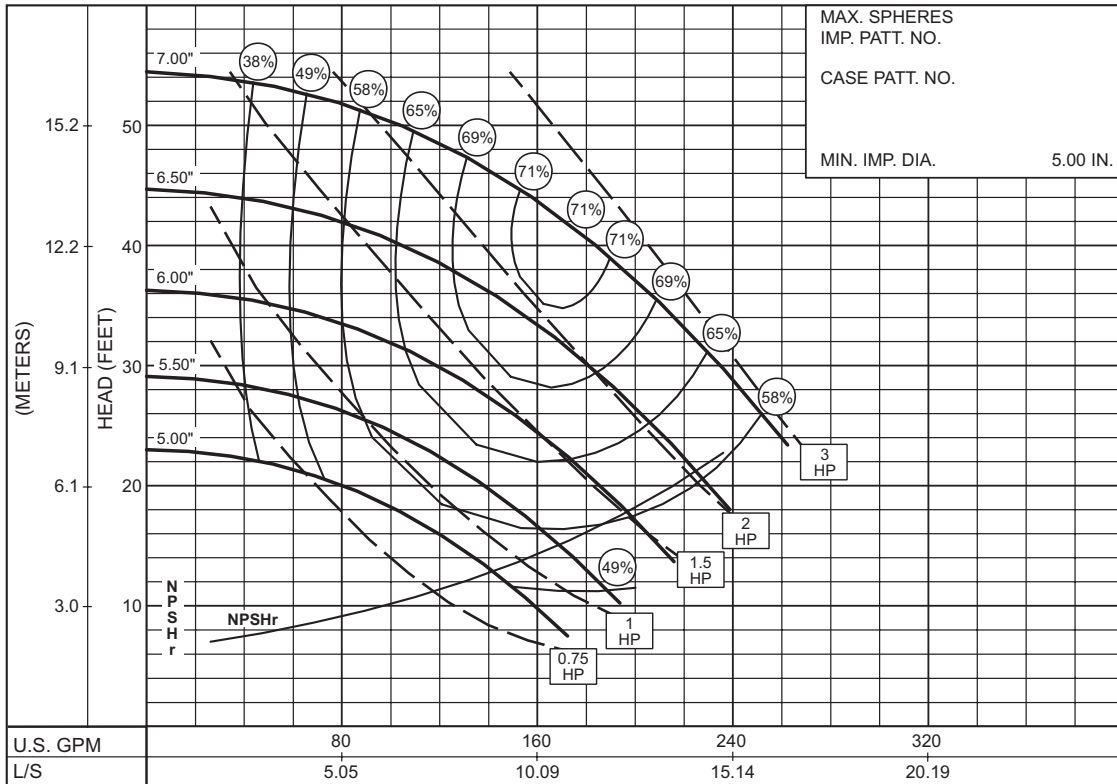
SIZE : 3B

TYPE : 1070-AP xx

IMPELLER : Enclosed

R. P. M. : 1800

**1800
RPM**



MAX. SPHERES
IMP. PATT. NO.
CASE PATT. NO.
MIN. IMP. DIA. 5.00 IN.

AURORA ACCESSORIES

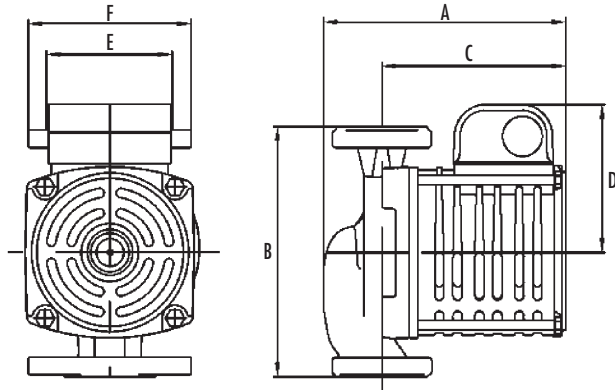
CIRCULATORS

SERIES 1070 – MODELS 1070-AP7 / 1070-APB7

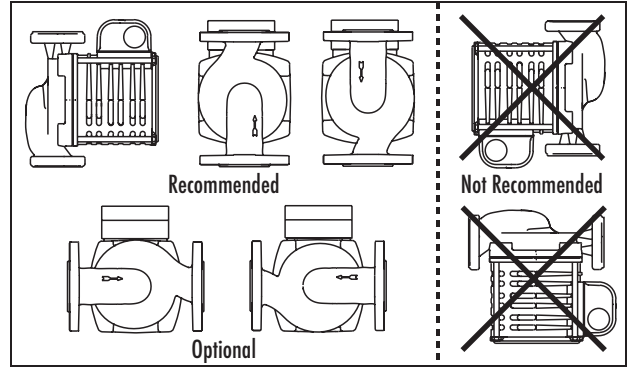
Dated **JUNE 2013**

Supersedes Section 1070 Page 215

Dated June 2010



FOR INDOOR USE ONLY



Mounting Positions

Dimensions and Weights

Model	Body	A	B	C	D	E	F	Connection Type & Size	Shipping Weight
1070-AP7	Cast Iron	6.4 (164)	6.4 (164)	4.8 (122)	3.8 (97)	3.2 (81)	4.2 (107)	1.25" Diameter 2-bolt flanges	11.5 (5.2)
1070-APB7	Bronze	6.4 (164)	6.4 (164)	4.8 (122)	3.8 (97)	3.2 (81)	4.2 (107)	1.25" Diameter 2-bolt flanges	12.8 (5.8)

NOTE: All dimensions are in inches (mm) and weights in lbs. (kg).

Materials of Construction

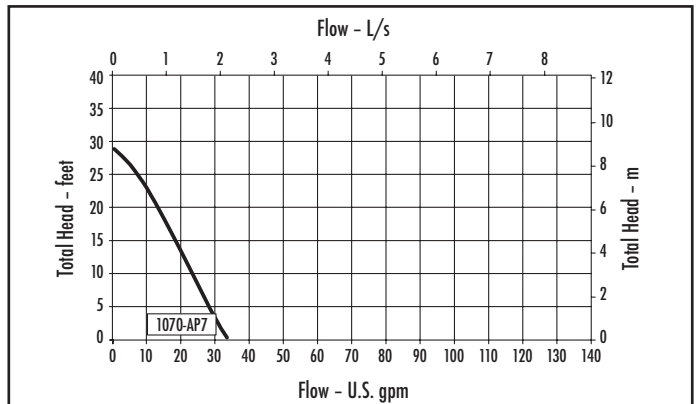
Pump Body	Cast Iron (closed systems), Bronze (open systems)
Face Plate	Stainless Steel
Impeller	30% Glass-filled Noryl®
Shaft	Stainless Steel
Bearings	Permanently Lubricated Stainless Steel
Gasket	EPDM
Seal	Silicon Carbide EnviroSeal

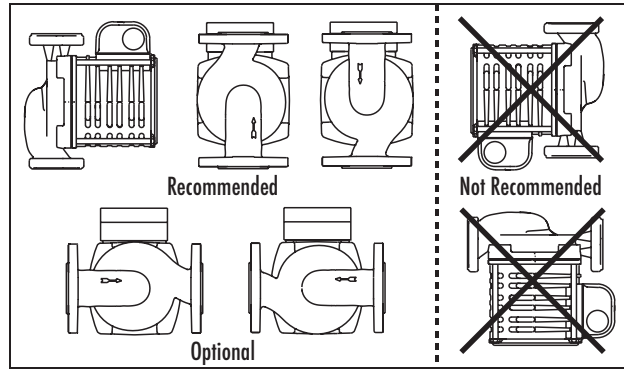
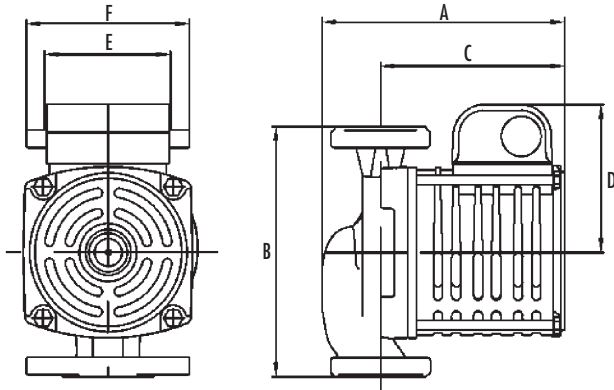
Technical Data

Flow Range	0 – 38.0 U.S. gpm (0 – 2.4 L/s)
Head Range	0 – 26.0 feet (0 – 7.9 m)
Maximum Fluid Temperature	230°F (110°C)
Maximum Working Pressure	150 psi (1034 kPa)

Motor Data

Nominal Power	1/6 HP (125 W)		
Voltage	120V	208V	240V
Full Load Amp Draw	2.0 A	1.0 A	1.0 A
Frequency	60 Hz		
Motor Type	2 pole, Single Phase		
Speed	3400 RPM		





FOR INDOOR USE ONLY

Mounting Positions

Dimensions and Weights									
Model	Body	A	B	C	D	E	F	Connection Type & Size	Shipping Weight
1070-AP8	Cast Iron	6.4 (164)	6.4 (164)	4.8 (122)	3.8 (97)	3.2 (81)	4.2 (107)	1.25" Diameter 2-bolt flanges	11.5 (5.2)
1070-APB8	Bronze	6.4 (164)	6.4 (164)	4.8 (122)	3.8 (97)	3.2 (81)	4.2 (107)	1.25" Diameter 2-bolt flanges	12.8 (5.8)

NOTE: All dimensions are in inches (mm) and weights in lbs. (kg).

Materials of Construction

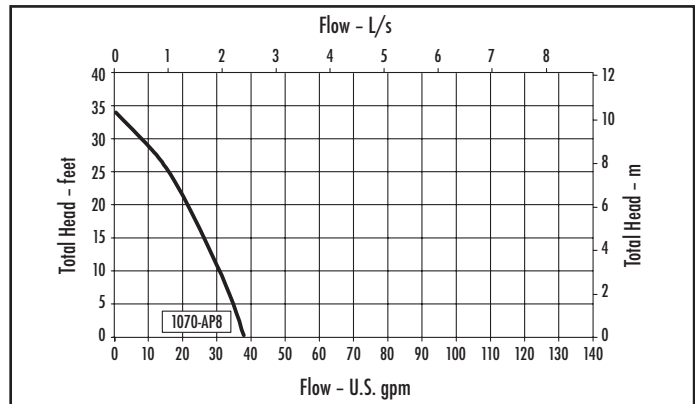
Pump Body	Cast Iron (closed systems), Bronze (open systems)
Face Plate	Stainless Steel
Impeller	30% Glass-filled Noryl®
Shaft	Stainless Steel
Bearings	Permanently Lubricated Stainless Steel
Gasket	EPDM
Seal	Silicon Carbide EnviroSeal

Technical Data

Flow Range	0 – 38.0 U.S. gpm (0 – 2.4 L/s)
Head Range	0 – 34.0 feet (0 – 10.4 m)
Maximum Fluid Temperature	230°F (110°C)
Maximum Working Pressure	150 psi (1034 kPa)

Motor Data

Nominal Power	1/6 HP (125 W)		
Voltage	120V	208V	240V
Full Load Amp Draw	2.0 A	1.0 A	1.0 A
Frequency	60 Hz		
Motor Type	2 pole, Single Phase		
Speed	3250 RPM		



AURORA ACCESSORIES

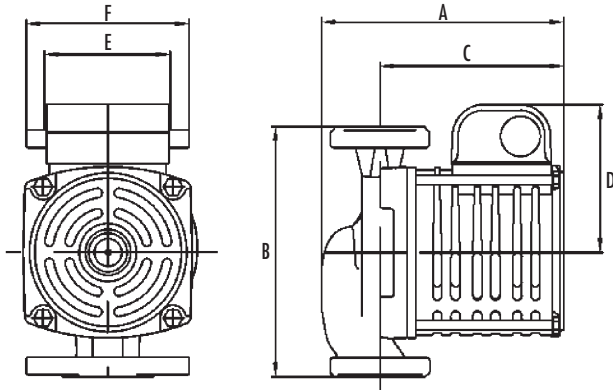
CIRCULATORS

SERIES 1070 – MODELS 1070-AP9 / 1070-APB9

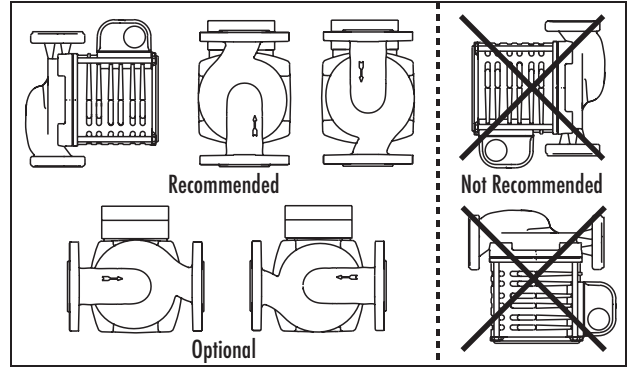
Dated **JUNE 2013**

Supersedes Section 1070 Page 217

Dated June 2010



FOR INDOOR USE ONLY



Mounting Positions

Dimensions and Weights									
Model	Body	A	B	C	D	E	F	Connection Type & Size	Shipping Weight
1070-AP9	Cast Iron	6.4 (164)	6.4 (164)	4.8 (122)	3.8 (97)	3.2 (81)	4.2 (107)	1.25" Diameter 2-bolt flanges	11.5 (5.2)
1070-APB9	Bronze	6.4 (164)	6.4 (164)	4.8 (122)	3.8 (97)	3.2 (81)	4.2 (107)	1.25" Diameter 2-bolt flanges	12.8 (5.8)

NOTE: All dimensions are in inches (mm) and weights in lbs. (kg).

Materials of Construction

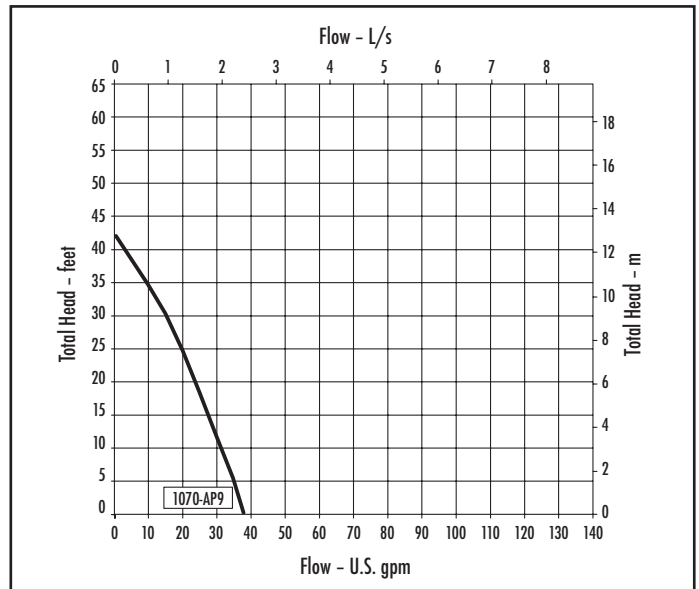
Pump Body	Cast Iron (closed systems), Bronze (open systems)		
Face Plate	Stainless Steel		
Impeller	30% Glass-filled Noryl®		
Shaft	Stainless Steel		
Bearings	Permanently Lubricated Stainless Steel		
Gasket	EPDM		
Seal	Silicon Carbide EnviroSeal		

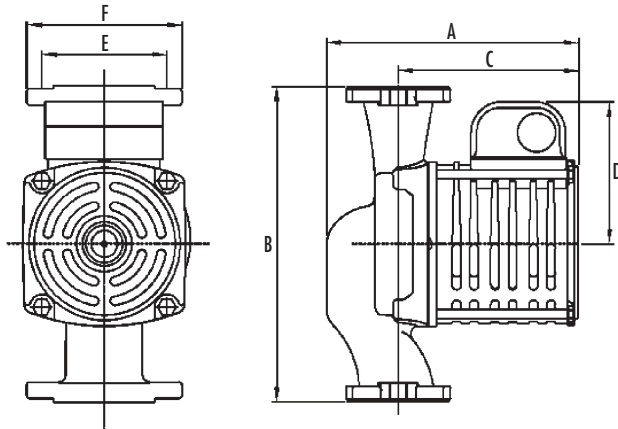
Technical Data

Flow Range	0 – 38.0 U.S. gpm (0 – 2.4 L/s)
Head Range	0 – 42.4 feet (0 – 12.9 m)
Maximum Fluid Temperature	230°F (110°C)
Maximum Working Pressure	150 psi (1034 kPa)

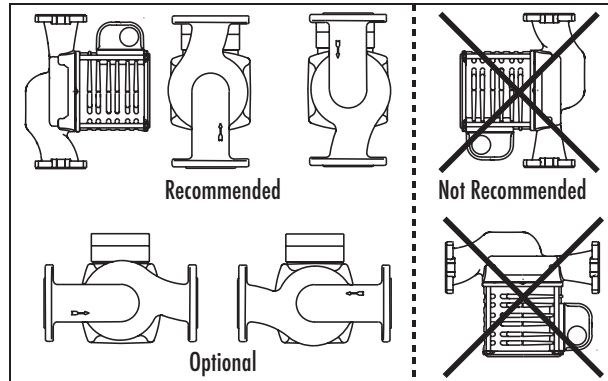
Motor Data

Nominal Power	1/6 HP (125 W)		
Voltage	120V	208V	240V
Full Load Amp Draw	2.0 A	1.0 A	1.0 A
Frequency	60 Hz		
Motor Type	2 pole, Single Phase		
Speed	3250 RPM		





FOR INDOOR USE ONLY



Mounting Positions

Dimensions and Weights									
Model	Body	A	B	C	D	E	F	Connection Type & Size	Shipping Weight
1070-AP10	Cast Iron	6.8 (174)	8.5 (215)	4.9 (125)	3.8 (97)	3.4 (86)	4.2 (107)	1.5" Diameter 2-bolt flanges	13.0 (5.9)
1070-APB10	Bronze	6.8 (174)	8.5 (215)	4.9 (125)	3.8 (97)	3.4 (86)	4.2 (107)	1.5" Diameter 2-bolt flanges	14.8 (6.7)

NOTE: All dimensions are in inches (mm) and weights in lbs. (kg).

Materials of Construction

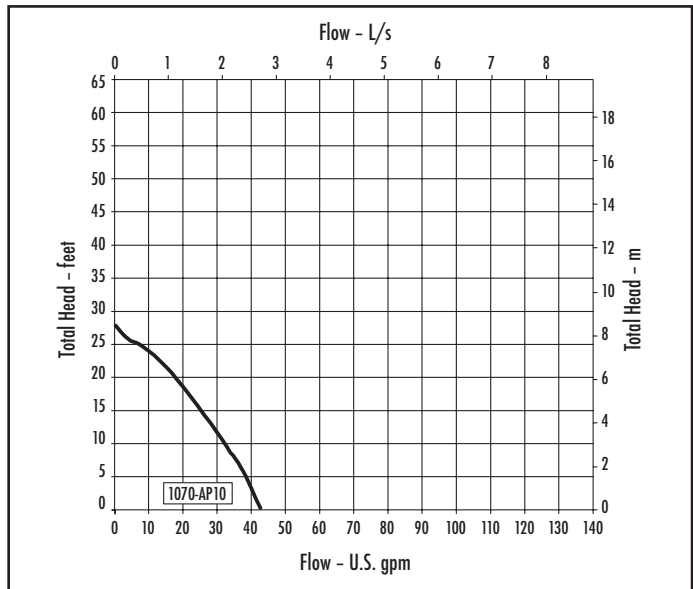
Pump Body	Cast Iron (closed systems), Bronze (open systems)
Face Plate	Stainless Steel
Impeller	30% Glass-filled Noryl®
Shaft	Stainless Steel
Bearings	Permanently Lubricated Stainless Steel
Gasket	EPDM
Seal	Silicon Carbide EnviroSeal

Technical Data

Flow Range	0 – 43.0 U.S. gpm (0 – 2.7 L/s)
Head Range	0 – 28.0 feet (0 – 8.5 m)
Maximum Fluid Temperature	230°F (110°C)
Maximum Working Pressure	150 psi (1034 kPa)

Motor Data

Nominal Power	1/6 HP (125 W)	
Voltage	120V	240V
Full Load Amp Draw	2.0 A	1.0 A
Frequency	60 Hz	
Motor Type	2 pole, Single Phase	
Speed	3300 RPM	



AURORA ACCESSORIES

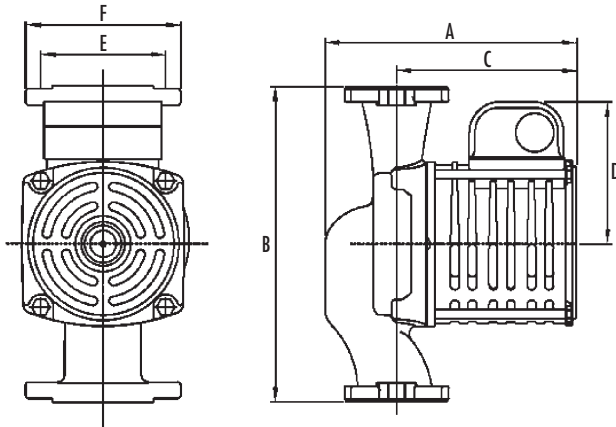
CIRCULATORS

SERIES 1070 – MODELS 1070-AP11 / 1070-APB11

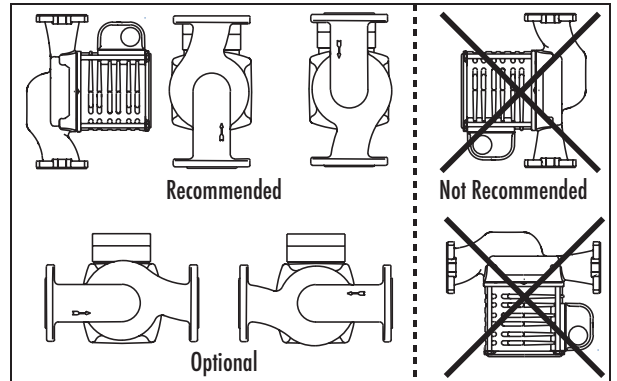
Dated **JUNE 2013**

Supersedes Section 1070 Page 219

Dated June 2010



FOR INDOOR USE ONLY



Mounting Positions

Dimensions and Weights									
Model	Body	A	B	C	D	E	F	Connection Type & Size	Shipping Weight
1070-AP11	Cast Iron	6.8 (174)	8.5 (215)	4.9 (125)	3.8 (97)	3.4 (86)	4.2 (107)	1.5" Diameter 2-bolt flanges	13.0 (5.9)
1070-APB11	Bronze	6.8 (174)	8.5 (215)	4.9 (125)	3.8 (97)	3.4 (86)	4.2 (107)	1.5" Diameter 2-bolt flanges	14.8 (6.7)

NOTE: All dimensions are in inches (mm) and weights in lbs. (kg).

Materials of Construction

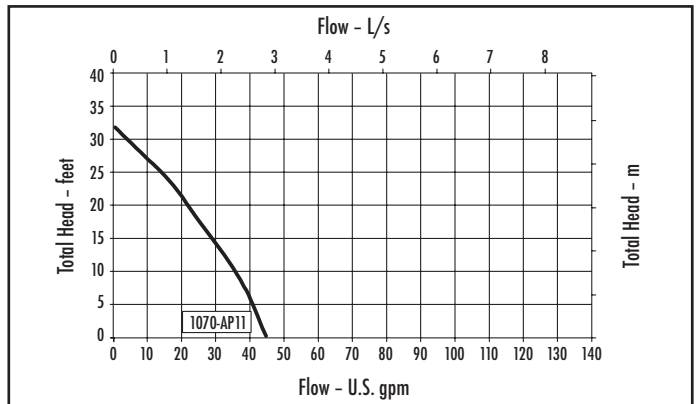
Pump Body	Cast Iron (closed systems), Bronze (open systems)
Face Plate	Stainless Steel
Impeller	30% Glass-filled Noryl®
Shaft	Stainless Steel
Bearings	Permanently Lubricated Stainless Steel
Gasket	EPDM
Seal	Silicon Carbide EnviroSeal

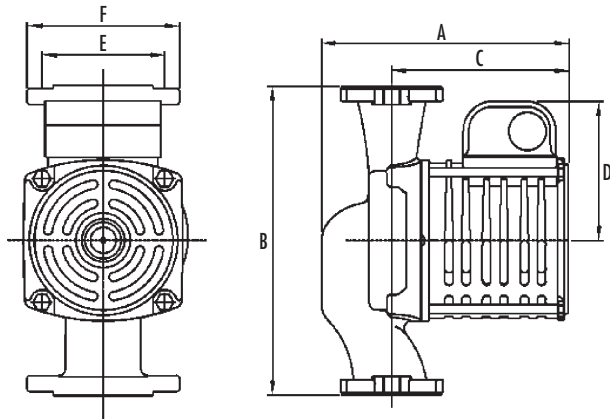
Technical Data

Flow Range	0 – 45.0 U.S. gpm (0 – 2.8 L/s)
Head Range	0 – 31.9 feet (0 – 9.7 m)
Maximum Fluid Temperature	230°F (110°C)
Maximum Working Pressure	150 psi (1034 kPa)

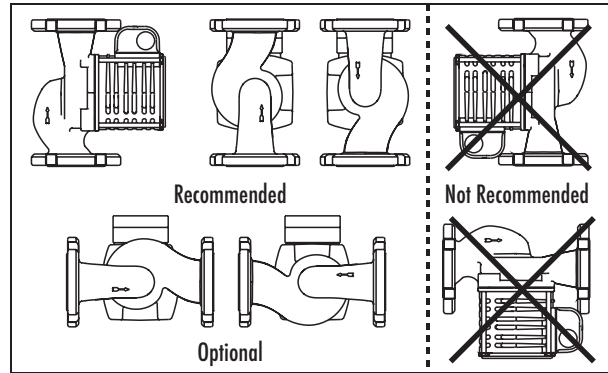
Motor Data

Nominal Power	1/6 HP (125 W)	
Voltage	120V	240V
Full Load Amp Draw	2.0 A	1.0 A
Frequency	60 Hz	
Motor Type	2 pole, Single Phase	
Speed	3300 RPM	





FOR INDOOR USE ONLY



Mounting Positions

Dimensions and Weights									
Model	Body	A	B	C	D	E	F	Connection Type & Size	Shipping Weight
1070-AP12	Cast Iron	8.6 (218)	6.4 (164)	7.1 (180)	4.0 (101)	3.2 (81)	4.2 (107)	1.25" diameter 2-bolt flanges	17.1 (7.8)
1070-APB12	Bronze	8.6 (218)	6.4 (164)	7.1 (180)	4.0 (101)	3.2 (81)	4.2 (107)	1.25" diameter 2-bolt flanges	17.9 (8.1)

NOTE: All dimensions are in inches (mm) and weights in lbs. (kg).

Materials of Construction

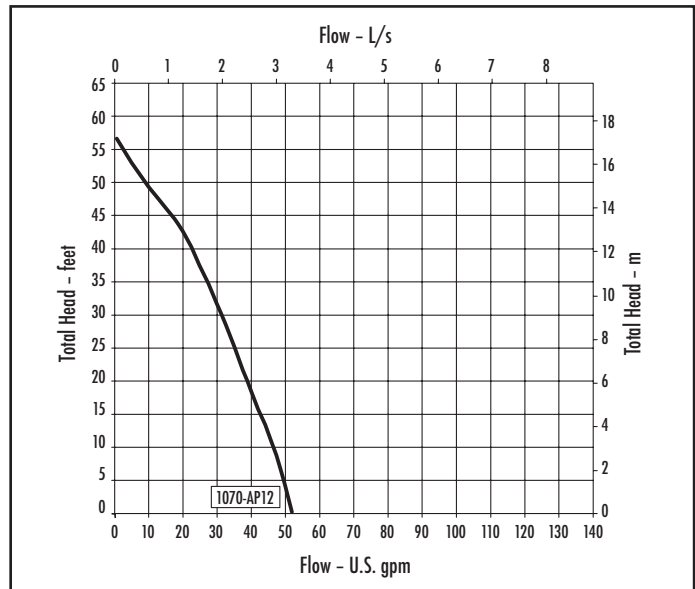
Pump Body	Cast Iron (closed systems), Bronze (open systems)
Face Plate	Stainless Steel
Impeller	30% Glass-filled Noryl®
Shaft	Stainless Steel
Bearings	Permanently Lubricated Stainless Steel
Gasket	EPDM
Seal	Silicon Carbide EnviroSeal

Technical Data

Flow Range	0 – 50.0 U.S. gpm (0 to 3.1 L/s)
Head Range	0 – 56.0 feet (0 – 17.0 m)
Maximum Fluid Temperature	230°F (110°C)
Maximum Working Pressure	150 psi (1034 kPa)

Motor Data

Nominal Power	2/5 HP (300 W)
Voltage	120V
Full Load Amp Draw	4.8 A
Frequency	60 Hz
Motor Type	2 pole, Single Phase
Speed	3300 RPM



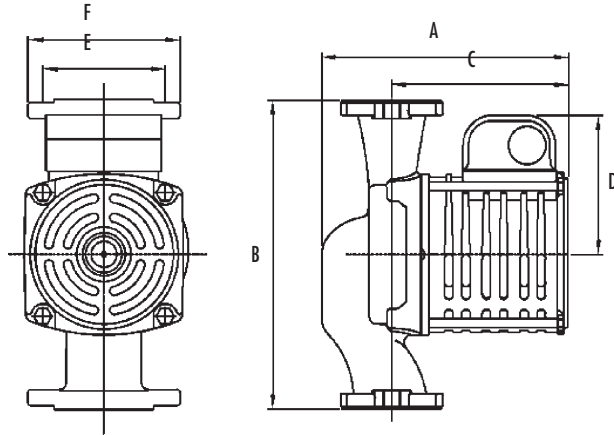
AURORA ACCESSORIES

CIRCULATORS

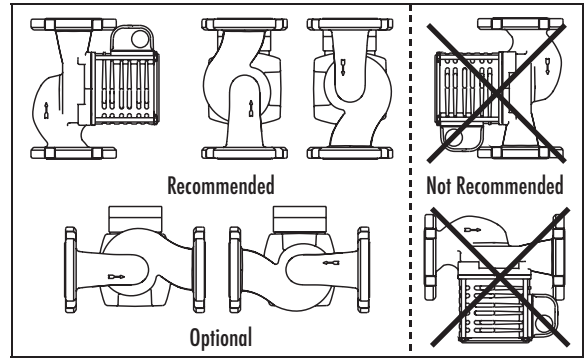
Dated **JUNE 2013**

SERIES 1070 – MODELS 1070-AP12-TE / 1070-APB12-TE

Supersedes Section 1070 Page 221
Dated June 2010



FOR INDOOR USE ONLY



Mounting Positions

Dimensions and Weights									
Model	Body	A	B	C	D	E	F	Connection Type & Size	Shipping Weight
1070-AP12-TE	Cast Iron	8.6 (218)	6.4 (164)	7.1 (180)	4.0 (101)	3.2 (81)	4.2 (107)	1.25" diameter 2-bolt flanges	17.1 (7.8)
1070-APB12-TE	Bronze	8.6 (218)	6.4 (164)	7.1 (180)	4.0 (101)	3.2 (81)	4.2 (107)	1.25" diameter 2-bolt flanges	17.9 (8.1)

NOTE: All dimensions are in inches (mm) and weights in lbs. (kg).

Materials of Construction

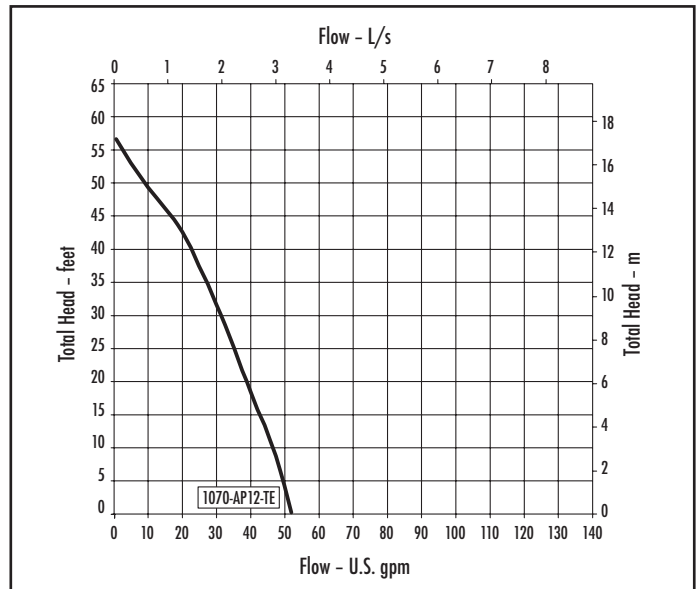
Pump Body	Cast Iron (closed systems), Bronze (open systems)
Face Plate	Stainless Steel
Impeller	30% Glass-filled Noryl®
Shaft	Stainless Steel
Bearings	Permanently Lubricated Stainless Steel
Gasket	EPDM
Seal	Silicon Carbide EnviroSeal

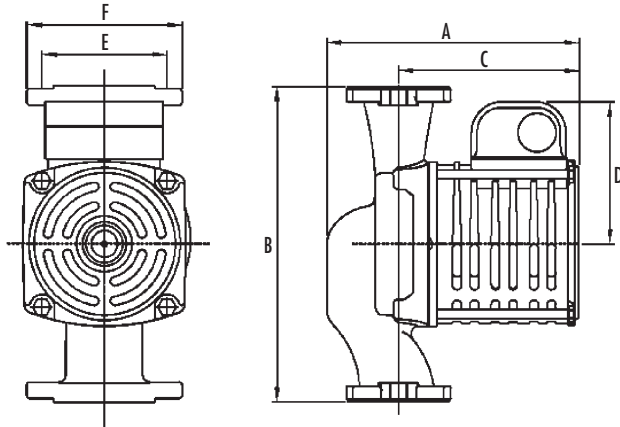
Technical Data

Flow Range	0 – 50.0 U.S. gpm (0 – 3.1 L/s)
Head Range	0 – 56.0 feet (0 – 17.0 m)
Maximum Fluid Temperature	150°F (65°C)
Maximum Working Pressure	150 psi (1034 kPa)

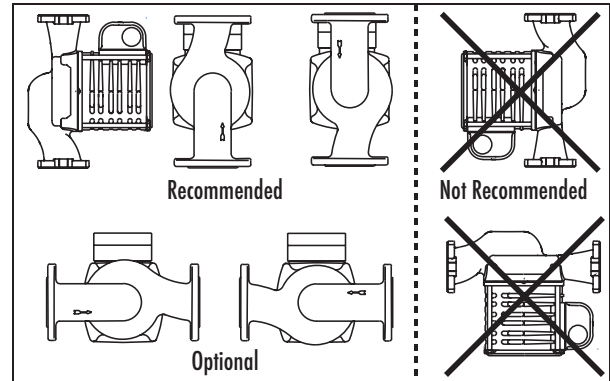
Motor Data

Nominal Power	2/5 HP (300 W)			
Voltage	120V	208V	240 V	277 V
Full Load Amp Draw	4.8 A	2.4 A	2.4 A	2.4 A
Frequency	60 Hz			
Motor Type	2 pole, Single Phase, TENV			
Speed	3300 RPM			





FOR INDOOR USE ONLY



Mounting Positions

Dimensions and Weights									
Model	Body	A	B	C	D	E	F	Connection Type & Size	Shipping Weight
1070-AP13	Cast Iron	6.8 (174)	8.5 (215)	4.9 (125)	3.8 (97)	3.4 (86)	4.2 (107)	1.5" Diameter 2-bolt flanges	13.0 (5.9)
1070-APB13	Bronze	6.8 (174)	8.5 (215)	4.9 (125)	3.8 (97)	3.4 (86)	4.2 (107)	1.5" Diameter 2-bolt flanges	14.8 (6.7)

NOTE: All dimensions are in inches (mm) and weights in lbs. (kg).

Materials of Construction

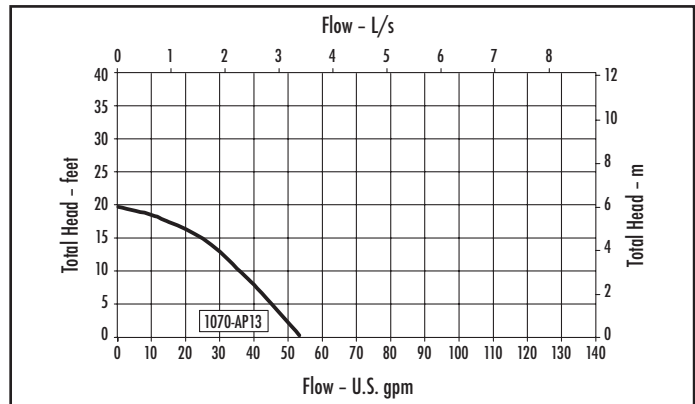
Pump Body	Cast Iron (closed systems), Bronze (open systems)
Face Plate	Stainless Steel
Impeller	30% Glass-filled Noryl®
Shaft	Stainless Steel
Bearings	Permanently Lubricated Stainless Steel
Gasket	EPDM
Seal	Silicon Carbide EnviroSeal

Technical Data

Flow Range	0 – 54.0 U.S. gpm (0 – 3.4 L/s)
Head Range	0 – 19.7 feet (0 – 6.0 m)
Maximum Fluid Temperature	230°F (110°C)
Maximum Working Pressure	150 psi (1034 kPa)

Motor Data

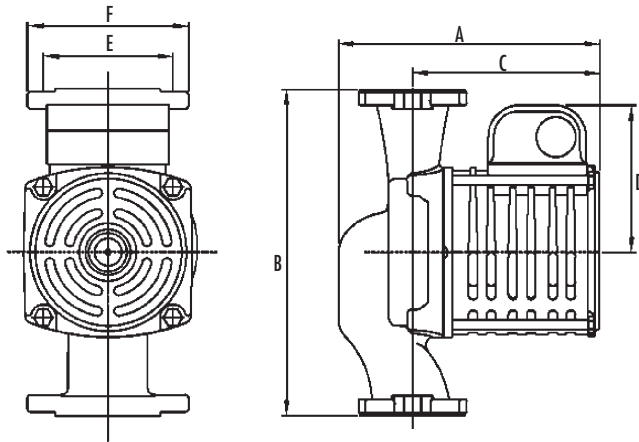
Nominal Power	1/6 HP (125 W)	
Voltage	120V	240V
Full Load Amp Draw	2.0 A	1.0 A
Frequency	60 Hz	
Motor Type	2 pole, Single Phase	
Speed	3400 RPM	



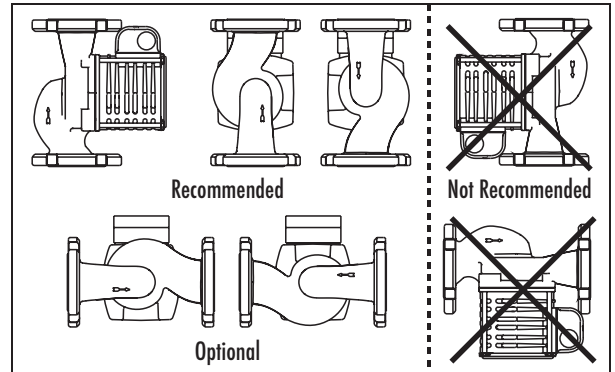
AURORA ACCESSORIES

CIRCULATORS

SERIES 1070 – MODELS 1070-AP14 / 1070-APB14



FOR INDOOR USE ONLY



Mounting Positions

Dimensions and Weights									
Model	Body	A	B	C	D	E	F	Connection Type & Size	Shipping Weight
1070-AP14	Cast Iron	8.6 (218)	6.4 (164)	7.1 (180)	4.0 (101)	3.2 (81)	4.2 (107)	1.25" diameter 2-bolt flanges	17.1 (7.8)
1070-APB14	Bronze	8.6 (218)	6.4 (164)	7.1 (180)	4.0 (101)	3.2 (81)	4.2 (107)	1.25" diameter 2-bolt flanges	17.9 (8.1)

NOTE: All dimensions are in inches (mm) and weights in lbs. (kg).

Materials of Construction

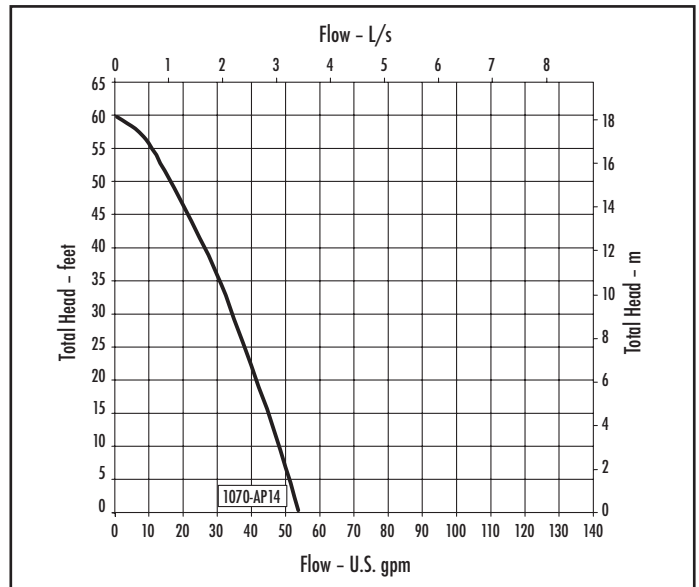
Pump Body	Cast Iron (closed systems), Bronze (open systems)
Face Plate	Stainless Steel
Impeller	30% Glass-filled Noryl®
Shaft	Stainless Steel
Bearings	Permanently Lubricated Stainless Steel
Gasket	EPDM
Seal	Silicon Carbide EnviroSeal

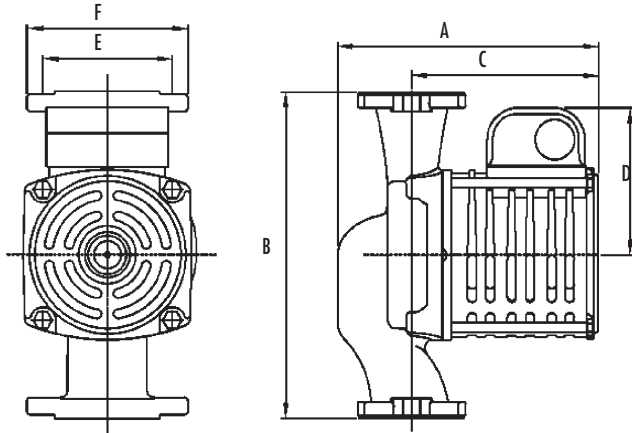
Technical Data

Flow Range	0 – 52.0 U.S. gpm (0 – 3.3 L/s)
Head Range	0 – 61.0 feet (0 – 18.6 m)
Maximum Fluid Temperature	230°F (110°C)
Maximum Working Pressure	150 psi (1034 kPa)

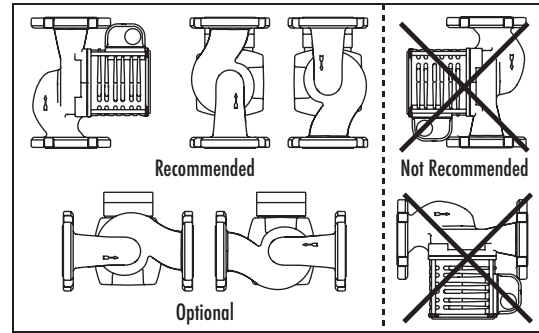
Motor Data

Nominal Power	2/5 HP (300 W)
Voltage	120V
Full Load Amp Draw	4.8 A
Frequency	60 Hz
Motor Type	2 pole, Single Phase
Speed	3300 RPM





FOR INDOOR USE ONLY



Mounting Positions

Dimensions and Weights									
Model	Body	A	B	C	D	E	F	Connection Type & Size	Shipping Weight
1070-AP14-TE	Cast Iron	8.6 (218)	6.4 (164)	7.1 (180)	4.0 (101)	3.2 (81)	4.2 (107)	1.25" diameter 2-bolt flanges	17.1 (7.8)
1070-APB14-TE	Bronze	8.6 (218)	6.4 (164)	7.1 (180)	4.0 (101)	3.2 (81)	4.2 (107)	1.25" diameter 2-bolt flanges	17.9 (8.1)

NOTE: All dimensions are in inches (mm) and weights in lbs. (kg).

Materials of Construction

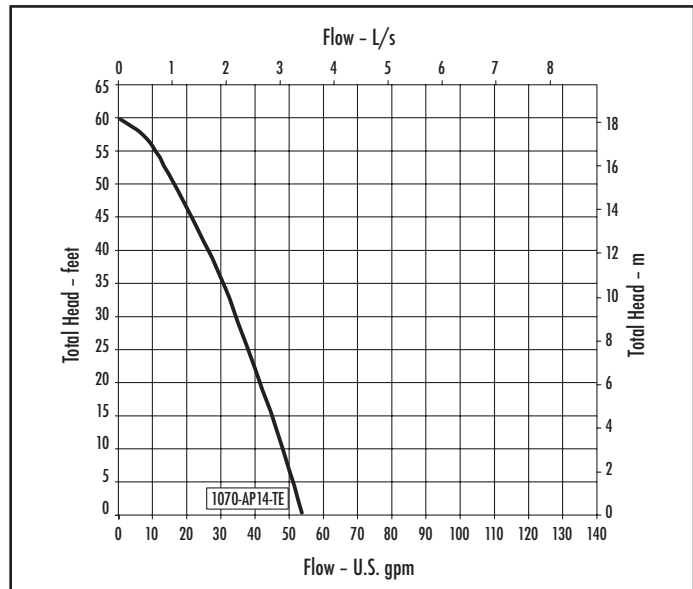
Pump Body	Cast Iron (closed systems), Bronze (open systems)
Face Plate	Stainless Steel
Impeller	30% Glass-filled Noryl®
Shaft	Stainless Steel
Bearings	Permanently Lubricated Stainless Steel
Gasket	EPDM
Seal	Silicon Carbide EnviroSeal

Technical Data

Flow Range	0 – 52.0 U.S. gpm (0 – 3.3 L/s)
Head Range	0 – 61.0 feet (0 – 18.6 m)
Maximum Fluid Temperature	150°F (65°C)
Maximum Working Pressure	150 psi (1034 kPa)

Motor Data

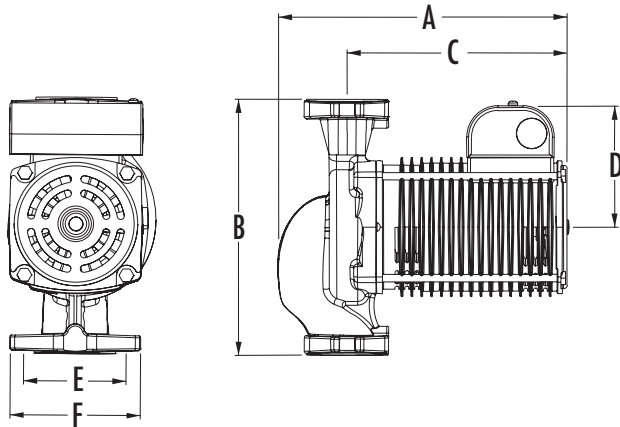
Nominal Power	2/5 HP (300 W)			
Voltage	120V	208V	240 V	277 V
Full Load Amp Draw	4.8 A	2.4 A	2.4 A	2.4 A
Frequency	60 Hz			
Motor Type	2 pole, Single Phase, TENV			
Speed	3300 RPM			



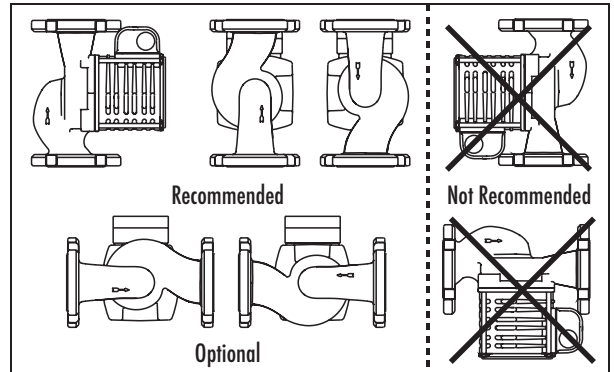
AURORA ACCESSORIES

CIRCULATORS

SERIES 1070 – MODELS 1070-AP15 / 1070-APB15



FOR INDOOR USE ONLY



Mounting Positions

Dimensions and Weights									
Model	Body	A	B	C	D	E	F	Connection Type & Size	Shipping Weight
1070-AP15	Cast Iron	9.6 (244)	8.5 (215)	7.3 (185)	4.0 (101)	3.2 (81)	4.2 (107)	1.25" diameter 2-bolt flanges	20.3 (9.2)
1070-APB15	Bronze	9.6 (244)	8.5 (215)	7.3 (185)	4.0 (101)	3.2 (81)	4.2 (107)	1.25" diameter 2-bolt flanges	20.3 (9.2)

NOTE: All dimensions are in inches (mm) and weights in lbs. (kg).

Materials of Construction

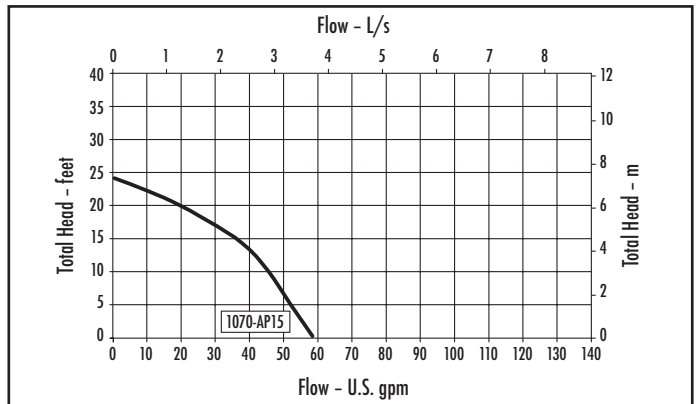
Pump Body	Cast Iron (closed systems), Bronze (open systems)
Face Plate	Stainless Steel
Impeller	30% Glass-filled Noryl®
Shaft	Stainless Steel
Bearings	Permanently Lubricated Stainless Steel
Gasket	EPDM
Seal	Silicon Carbide EnviroSeal

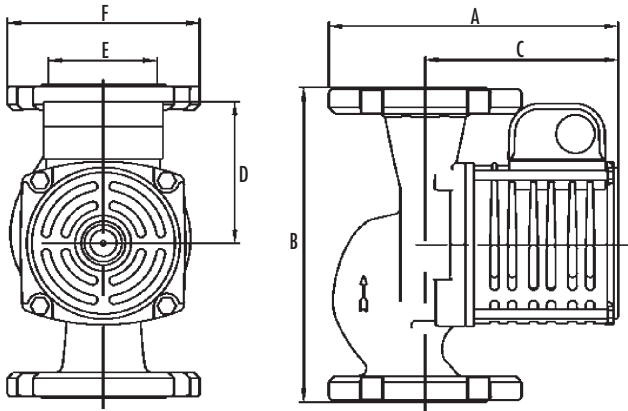
Technical Data

Flow Range	0 – 58.0 U.S. gpm (0 – 3.7 L/s)
Head Range	0 – 24.5 feet (0 – 7.5 m)
Maximum Fluid Temperature	230°F (110°C)
Maximum Working Pressure	150 psi (1034 kPa)

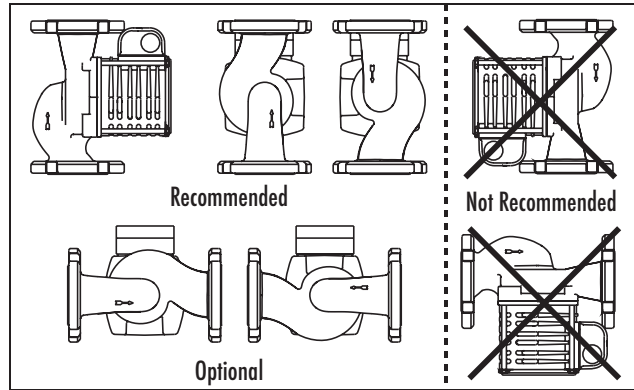
Motor Data

Nominal Power	2/5 HP (300 W)			
Voltage	120V	208V	240V	277V
Full Load Amp Draw	2.5 A	1.8 A	1.8 A	1.8 A
Frequency	60 Hz			
Motor Type	2 pole, Single Phase, ODP			
Speed	3500 RPM			





FOR INDOOR USE ONLY



Mounting Positions

Dimensions and Weights									
Model	Body	A	B	C	D	E	F	Connection Type & Size	Shipping Weight
1070-AP16	Cast Iron	7.7 (195)	8.5 (215)	5.1 (130)	3.8 (97)	2.9 (73)	5.2 (131)	2" Diameter 4-bolt flanges	18.6 (8.4)
1070-APB16	Bronze	7.7 (195)	8.5 (215)	5.1 (130)	3.8 (97)	2.9 (73)	5.2 (131)	2" Diameter 4-bolt flanges	20.7 (9.4)

NOTE: All dimensions are in inches (mm) and weights in lbs. (kg).

Materials of Construction

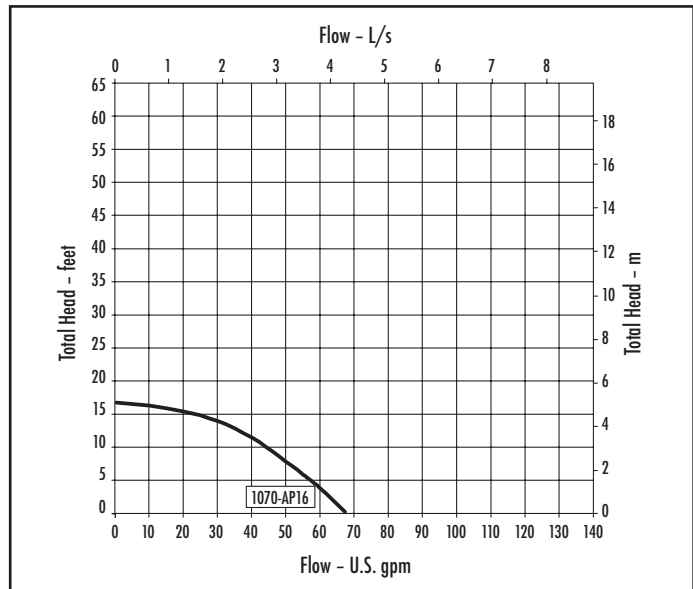
Pump Body	Cast Iron (closed systems), Bronze (open systems)
Face Plate	Stainless Steel
Impeller	30% Glass-filled Noryl®
Shaft	Stainless Steel
Bearings	Permanently Lubricated Stainless Steel
Gasket	EPDM
Seal	Silicon Carbide EnviroSeal

Technical Data

Flow Range	0 – 68.0 U.S. gpm (0 – 4.3 L/s)
Head Range	0 – 16.8 feet (0 – 5.1 m)
Maximum Fluid Temperature	230°F (110°C)
Maximum Working Pressure	150 psi (1034 kPa)

Motor Data

Nominal Power	1/6 HP (125 W)	
Voltage	120V	240V
Full Load Amp Draw	2.0 A	1.0 A
Frequency	60 Hz	
Motor Type	2 pole, Single Phase	
Speed	3400 RPM	



AURORA ACCESSORIES

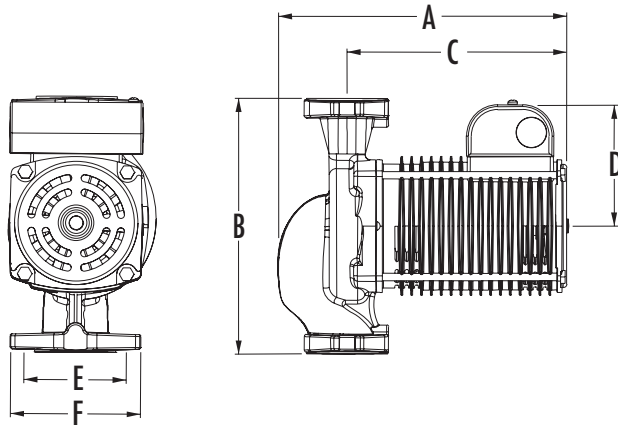
CIRCULATORS

SERIES 1070 – MODELS 1070-AP17 / 1070-APB17

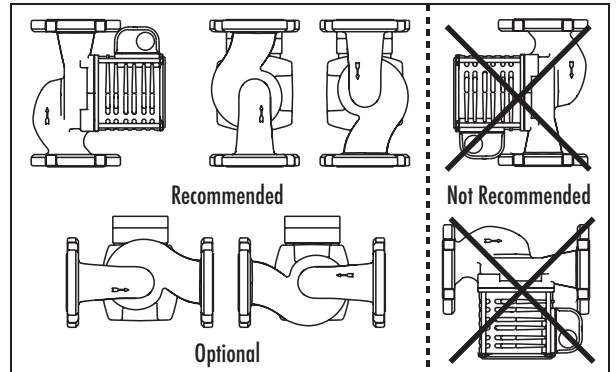
Dated **JUNE 2013**

Supersedes Section 1070 Page 227

Dated June 2010



FOR INDOOR USE ONLY



Mounting Positions

Dimensions and Weights

Model	Body	A	B	C	D	E	F	Connection Type & Size	Shipping Weight
1070-AP17	Cast Iron	9.6 (244)	8.5 (215)	7.3 (185)	4.0 (101)	3.2 (81)	4.2 (107)	1.25" diameter 2-bolt flanges	20.3 (9.2)
1070-APB17	Bronze	9.6 (244)	8.5 (215)	7.3 (185)	4.0 (101)	3.2 (81)	4.2 (107)	1.25" diameter 2-bolt flanges	20.3 (9.2)

NOTE: All dimensions are in inches (mm) and weights in lbs. (kg).

Materials of Construction

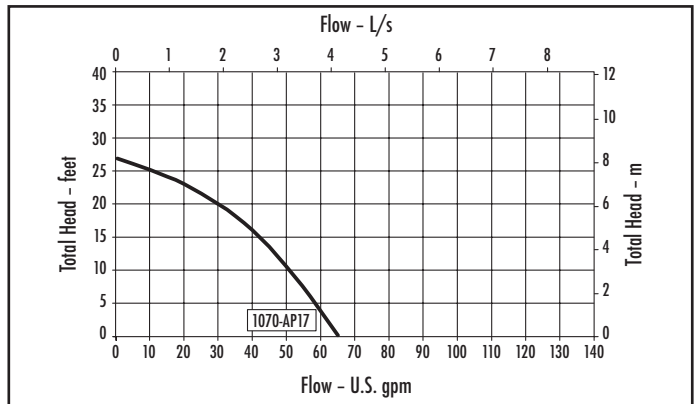
Pump Body	Cast Iron (closed systems), Bronze (open systems)
Face Plate	Stainless Steel
Impeller	30% Glass-filled Noryl®
Shaft	Stainless Steel
Bearings	Permanently Lubricated Stainless Steel
Gasket	EPDM
Seal	Silicon Carbide EnviroSeal

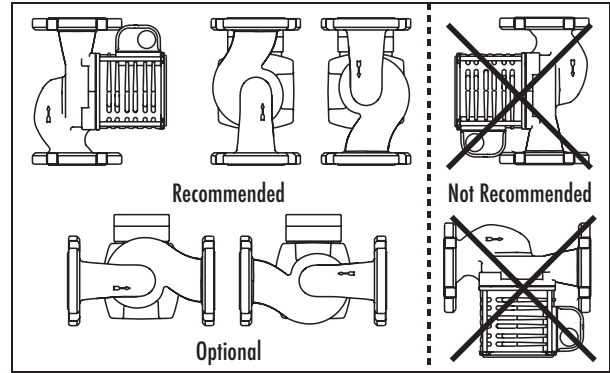
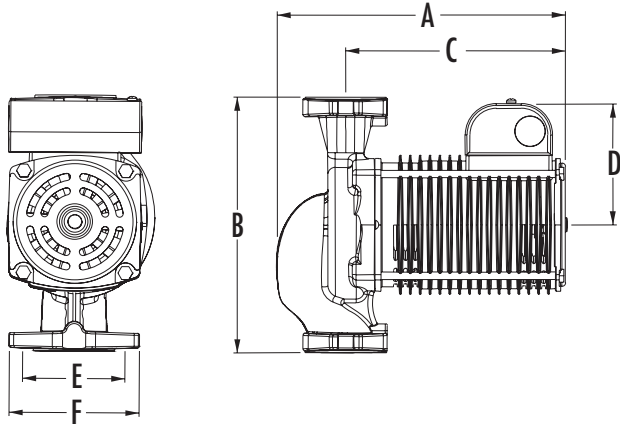
Technical Data

Flow Range	0 – 65.0 U.S. gpm (0 – 4.1 L/s)
Head Range	0 – 27.0 feet (0 – 8.2 m)
Maximum Fluid Temperature	230°F (110°C)
Maximum Working Pressure	150 psi (1034 kPa)

Motor Data

Nominal Power	2/5 HP (300 W)			
Voltage	120V	208V	240V	277V
Full Load Amp Draw	3.0 A	1.6 A	1.6 A	1.6 A
Frequency	60 Hz			
Motor Type	2 pole, Single Phase, ODP			
Speed	3500 RPM			





FOR INDOOR USE ONLY

Mounting Positions

Dimensions and Weights									
Model	Body	A	B	C	D	E	F	Connection Type & Size	Shipping Weight
1070-AP19	Cast Iron	9.6 (244)	8.5 (215)	7.3 (185)	4.0 (101)	3.4 (86)	4.2 (107)	1.5" diameter 2-bolt flanges	20.1 (9.1)
1070-APB19	Bronze	9.6 (244)	8.5 (215)	7.3 (185)	4.0 (101)	3.4 (86)	4.2 (107)	1.5" diameter 2-bolt flanges	20.1 (9.1)

NOTE: All dimensions are in inches (mm) and weights in lbs. (kg).

Materials of Construction

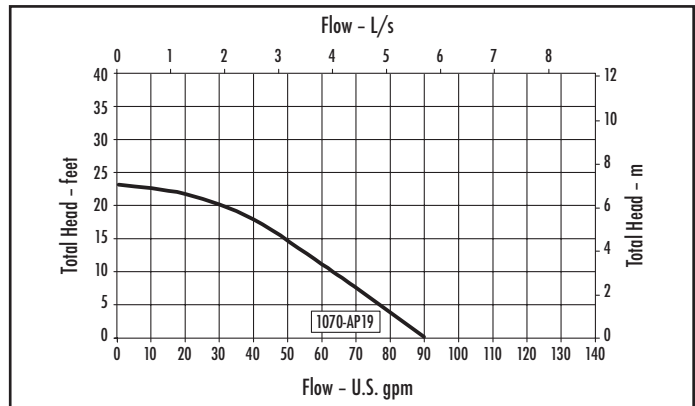
Pump Body	Cast Iron (closed systems), Bronze (open systems)
Face Plate	Stainless Steel
Impeller	30% Glass-filled Noryl®
Shaft	Stainless Steel
Bearings	Permanently Lubricated Stainless Steel
Gasket	EPDM
Seal	Silicon Carbide EnviroSeal

Technical Data

Flow Range	0 – 90.0 U.S. gpm (0 – 5.7 L/s)
Head Range	0 – 23.0 feet (0 – 7.0 m)
Maximum Fluid Temperature	230°F (110°C)
Maximum Working Pressure	150 psi (1034 kPa)

Motor Data

Nominal Power	2/5 HP (300 W)			
Voltage	120V	208V	240V	277V
Full Load Amp Draw	3.4 A	1.8 A	1.8 A	1.8 A
Frequency	60 Hz			
Motor Type	2 pole, Single Phase, ODP			
Speed	3450 RPM			



AURORA ACCESSORIES

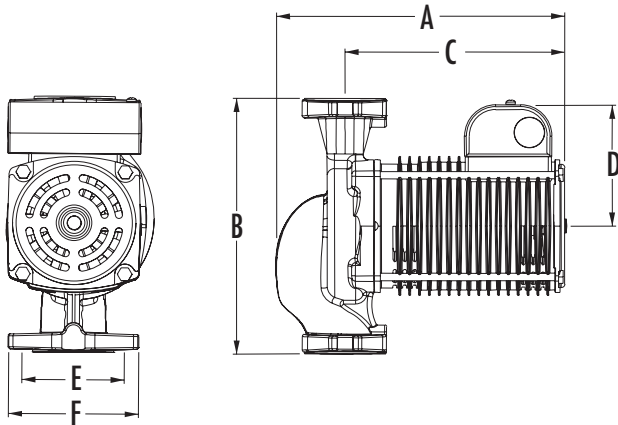
CIRCULATORS

SERIES 1070 – MODELS 1070-AP21 / 1070-APB21

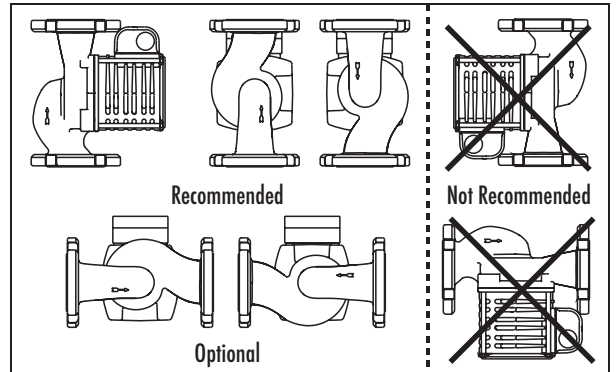
Dated **JUNE 2013**

Supersedes Section 1070 Page 229

Dated June 2010



FOR INDOOR USE ONLY



Mounting Positions

Dimensions and Weights

Model	Body	A	B	C	D	E	F	Connection Type & Size	Shipping Weight
1070-AP21	Cast Iron	9.6 (244)	8.5 (215)	7.3 (185)	4.0 (101)	3.4 (86)	4.2 (107)	1.5" diameter 2-bolt flanges	20.1 (9.1)
1070-APB21	Bronze	9.6 (244)	8.5 (215)	7.3 (185)	4.0 (101)	3.4 (86)	4.2 (107)	1.5" diameter 2-bolt flanges	20.1 (9.1)

NOTE: All dimensions are in inches (mm) and weights in lbs. (kg).

Materials of Construction

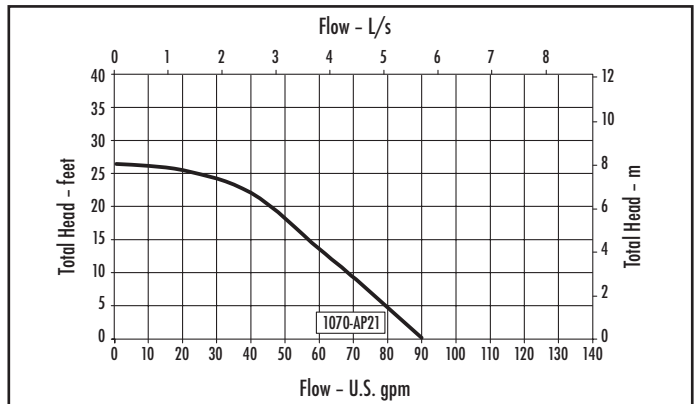
Pump Body	Cast Iron (closed systems), Bronze (open systems)
Face Plate	Stainless Steel
Impeller	30% Glass-filled Noryl®
Shaft	Stainless Steel
Bearings	Permanently Lubricated Stainless Steel
Gasket	EPDM
Seal	Silicon Carbide EnviroSeal

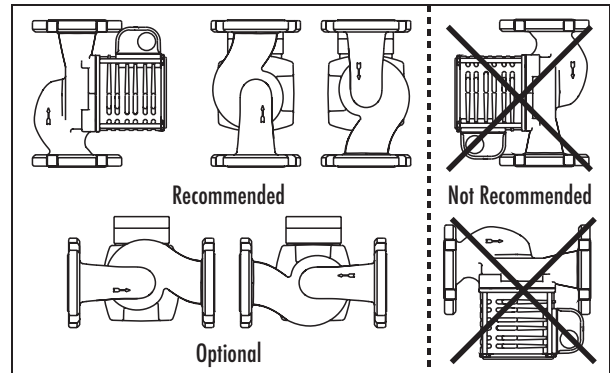
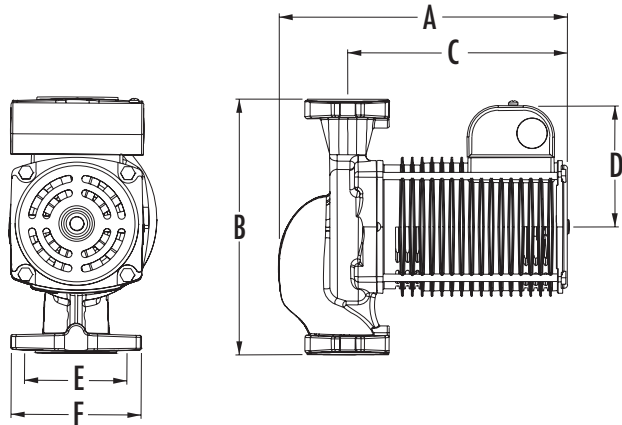
Technical Data

Flow Range	0 – 90.0 U.S. gpm (0 – 5.7 L/s)
Head Range	0 – 26.5 feet (0 – 8.1 m)
Maximum Fluid Temperature	230°F (110°C)
Maximum Working Pressure	150 psi (1034 kPa)

Motor Data

Nominal Power	2/5 HP (300 W)			
Voltage	120V	208V	240V	277V
Full Load Amp Draw	3.8 A	2.0 A	2.0 A	2.0 A
Frequency	60 Hz			
Motor Type	2 pole, Single Phase, ODP			
Speed	3450 RPM			





FOR INDOOR USE ONLY

Mounting Positions

Dimensions and Weights									
Model	Body	A	B	C	D	E	F	Connection Type & Size	Shipping Weight
1070-AP22	Cast Iron	9.6 (244)	8.5 (215)	7.3 (185)	4.0 (101)	3.4 (86)	4.2 (107)	1.5" diameter 2-bolt flanges	20.1 (9.1)
1070-APB22	Bronze	9.6 (244)	8.5 (215)	7.3 (185)	4.0 (101)	3.4 (86)	4.2 (107)	1.5" diameter 2-bolt flanges	20.1 (9.1)

NOTE: All dimensions are in inches (mm) and weights in lbs. (kg).

Materials of Construction

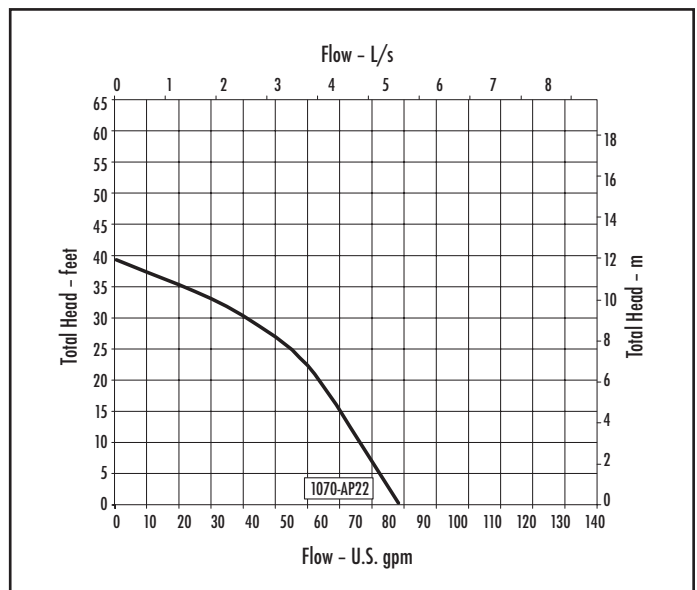
Pump Body	Cast Iron (closed systems), Bronze (open systems)
Face Plate	Stainless Steel
Impeller	30% Glass-filled Noryl®
Shaft	Stainless Steel
Bearings	Permanently Lubricated Stainless Steel
Gasket	EPDM
Seal	Silicon Carbide EnviroSeal

Technical Data

Flow Range	0 – 88.0 U.S. gpm (0 – 5.6 L/s)
Head Range	0 – 39.5 feet (0 – 12.0 m)
Maximum Fluid Temperature	230°F (110°C)
Maximum Working Pressure	150 psi (1034 kPa)

Motor Data

Nominal Power	2/5 HP (300 W)			
Voltage	120V	208V	240V	277V
Full Load Amp Draw	5.7 A	3.0 A	3.0 A	3.0 A
Frequency	60 Hz			
Motor Type	2 pole, Single Phase, ODP			
Speed	3350 RPM			



AURORA ACCESSORIES

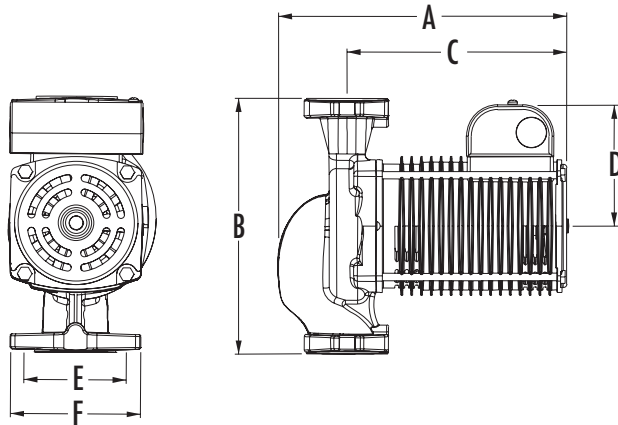
CIRCULATORS

SERIES 1070 – MODELS 1070-AP23 / 1070-APB23

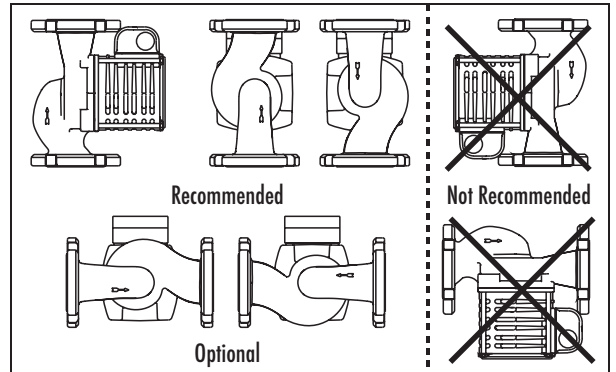
Dated **JUNE 2013**

Supersedes Section 1070 Page 231

Dated June 2010



FOR INDOOR USE ONLY



Mounting Positions

Dimensions and Weights

Model	Body	A	B	C	D	E	F	Connection Type & Size	Shipping Weight
1070-AP23	Cast Iron	9.6 (244)	8.5 (215)	7.3 (185)	4.0 (101)	3.4 (86)	4.2 (107)	1.5" diameter 2-bolt flanges	20.1 (9.1)
1070-APB23	Bronze	9.6 (244)	8.5 (215)	7.3 (185)	4.0 (101)	3.4 (86)	4.2 (107)	1.5" diameter 2-bolt flanges	20.1 (9.1)

NOTE: All dimensions are in inches (mm) and weights in lbs. (kg).

Materials of Construction

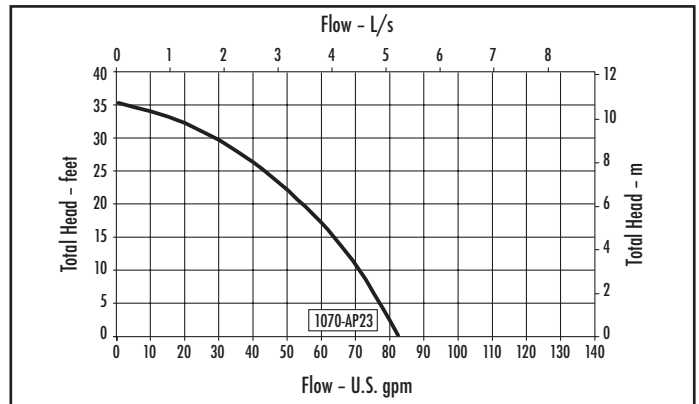
Pump Body	Cast Iron (closed systems), Bronze (open systems)
Face Plate	Stainless Steel
Impeller	30% Glass-filled Noryl®
Shaft	Stainless Steel
Bearings	Permanently Lubricated Stainless Steel
Gasket	EPDM
Seal	Silicon Carbide EnviroSeal

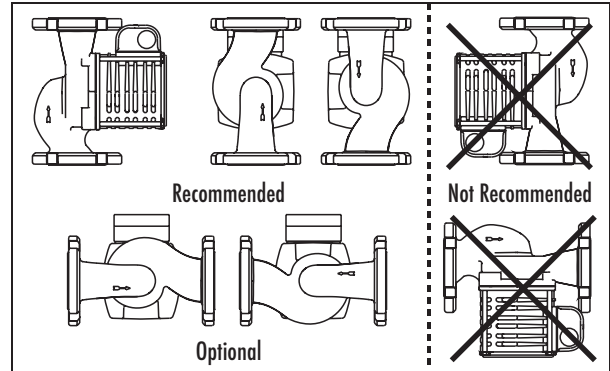
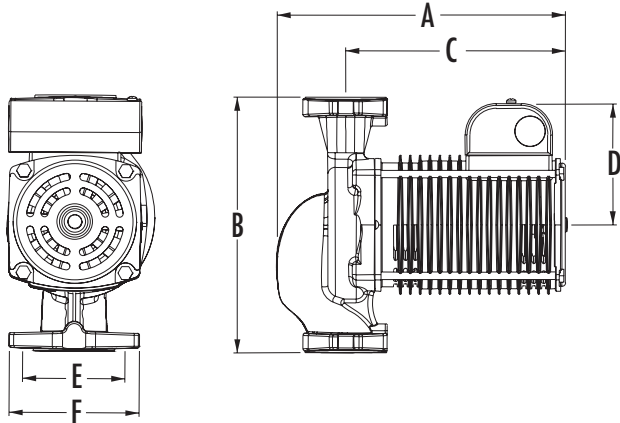
Technical Data

Flow Range	0 – 83.0 U.S. gpm (0 – 5.2 L/s)
Head Range	0 – 35.5 feet (0 – 10.8 m)
Maximum Fluid Temperature	230°F (110°C)
Maximum Working Pressure	150 psi (1034 kPa)

Motor Data

Nominal Power	2/5 HP (300 W)			
Voltage	120V	208V	240V	277V
Full Load Amp Draw	5.0 A	2.6 A	2.6 A	2.6 A
Frequency	60 Hz			
Motor Type	2 pole, Single Phase, ODP			
Speed	3400 RPM			





FOR INDOOR USE ONLY

Mounting Positions

Dimensions and Weights									
Model	Body	A	B	C	D	E	F	Connection Type & Size	Shipping Weight
1070-AP24	Cast Iron	9.6 (244)	8.5 (215)	7.3 (185)	4.0 (101)	3.4 (86)	4.2 (107)	1.5" diameter 2-bolt flanges	20.1 (9.1)
1070-APB24	Bronze	9.6 (244)	8.5 (215)	7.3 (185)	4.0 (101)	3.4 (86)	4.2 (107)	1.5" diameter 2-bolt flanges	20.1 (9.1)

NOTE: All dimensions are in inches (mm) and weights in lbs. (kg).

Materials of Construction

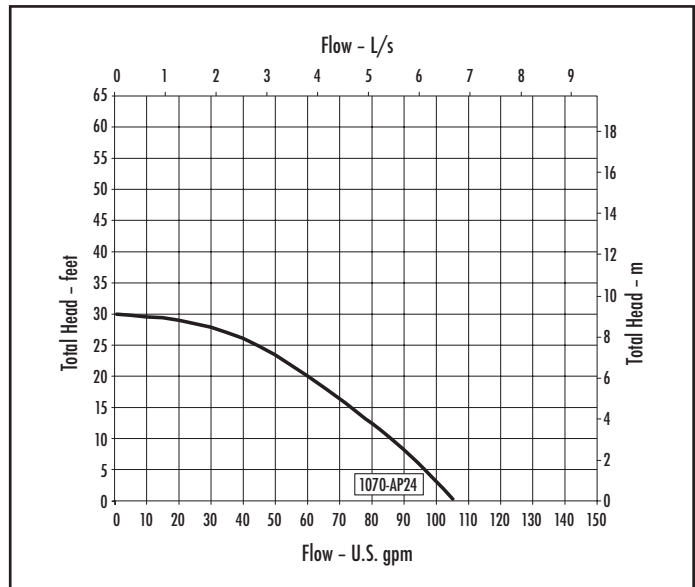
Pump Body	Cast Iron (closed systems), Bronze (open systems)
Face Plate	Stainless Steel
Impeller	30% Glass-filled Noryl®
Shaft	Stainless Steel
Bearings	Permanently Lubricated Stainless Steel
Gasket	EPDM
Seal	Silicon Carbide EnviroSeal

Technical Data

Flow Range	0 – 105.0 U.S. gpm (0 – 6.6 L/s)
Head Range	0 – 30.0 feet (0 – 9.1 m)
Maximum Fluid Temperature	230°F (110°C)
Maximum Working Pressure	150 psi (1034 kPa)

Motor Data

Nominal Power	2/5 HP (300 W)			
Voltage	120V	208V	240V	277V
Full Load Amp Draw	5.0 A	2.6 A	2.6 A	2.6 A
Frequency	60 Hz			
Motor Type	2 pole, Single Phase, ODP			
Speed	3400 RPM			



AURORA ACCESSORIES

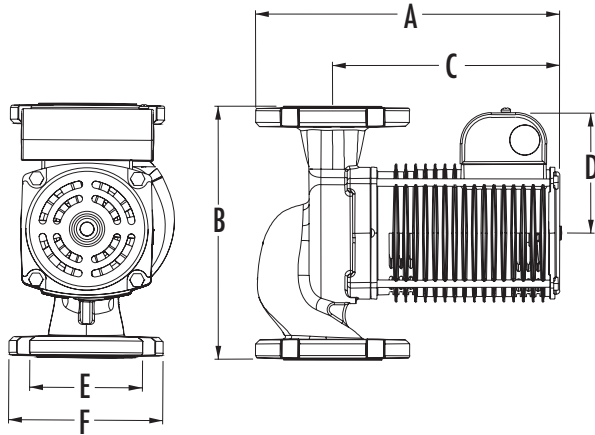
CIRCULATORS

SERIES 1070 – MODELS 1070-AP28 / 1070-APB28

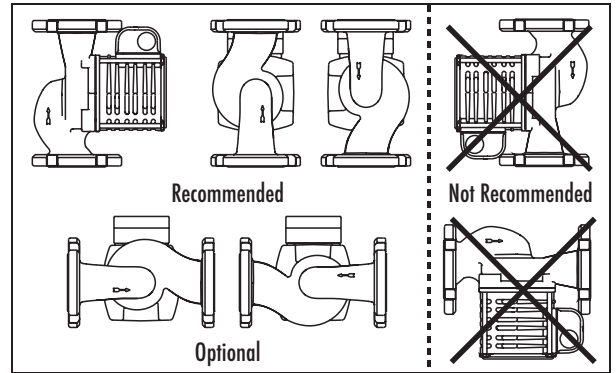
Dated **JUNE 2013**

Supersedes Section 1070 Page 233

Dated June 2010



FOR INDOOR USE ONLY



Mounting Positions

Dimensions and Weights

Model	Body	A	B	C	D	E	F	Connection Type & Size	Shipping Weight
1070-AP28	Cast Iron	10.6 (269)	8.5 (215)	7.6 (193)	4.0 (101)	3.5 (89)	6.0 (152)	3" diameter 4-bolt flanges	27.7 (12.6)
1070-APB28	Bronze	10.6 (269)	8.5 (215)	7.6 (193)	4.0 (101)	3.5 (89)	6.0 (152)	3" diameter 4-bolt flanges	27.7 (12.6)

NOTE: All dimensions are in inches (mm) and weights in lbs. (kg).

Materials of Construction

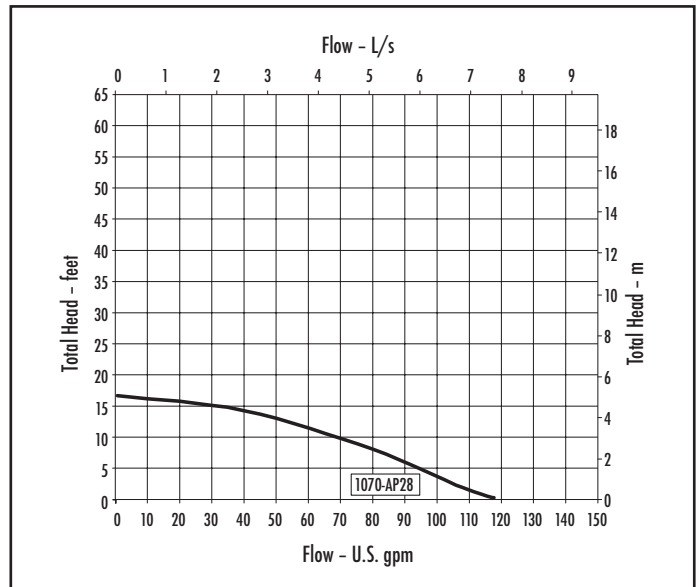
Pump Body	Cast Iron (closed systems), Bronze (open systems)
Face Plate	Stainless Steel
Impeller	30% Glass-filled Noryl®
Shaft	Stainless Steel
Bearings	Permanently Lubricated Stainless Steel
Gasket	EPDM
Seal	Silicon Carbide EnviroSeal

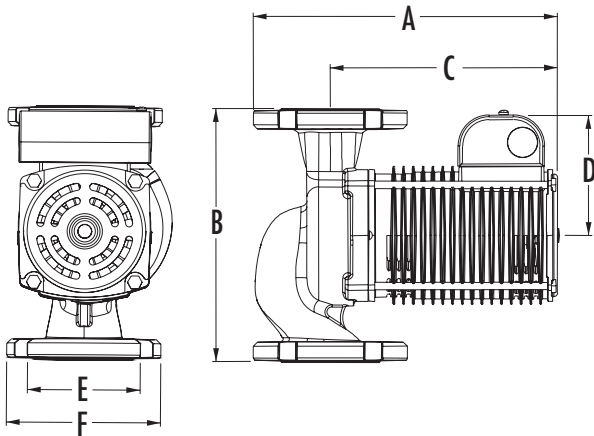
Technical Data

Flow Range	0 – 117.0 U.S. gpm (0 – 7.4 L/s)
Head Range	0 – 17.0 feet (0 – 5.2 m)
Maximum Fluid Temperature	230°F (110°C)
Maximum Working Pressure	150 psi (1034 kPa)

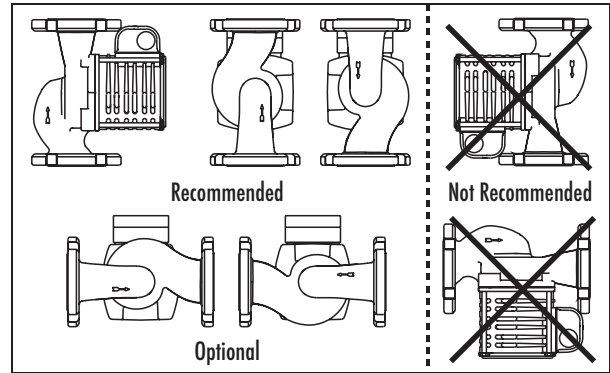
Motor Data

Nominal Power	2/5 HP (300 W)			
Voltage	120V	208V	240V	277V
Full Load Amp Draw	3.3 A	1.7 A	1.7 A	1.7 A
Frequency	60 Hz			
Motor Type	2 pole, Single Phase, ODP			
Speed	3450 RPM			





FOR INDOOR USE ONLY



Mounting Positions

Dimensions and Weights									
Model	Body	A	B	C	D	E	F	Connection Type & Size	Shipping Weight
1070-AP29	Cast Iron	10.6 (269)	8.5 (215)	7.6 (193)	4.0 (101)	3.5 (89)	6.0 (152)	3" diameter 4-bolt flanges	27.7 (12.6)
1070-APB29	Bronze	10.6 (269)	8.5 (215)	7.6 (193)	4.0 (101)	3.5 (89)	6.0 (152)	3" diameter 4-bolt flanges	27.7 (12.6)

NOTE: All dimensions are in inches (mm) and weights in lbs. (kg).

Materials of Construction

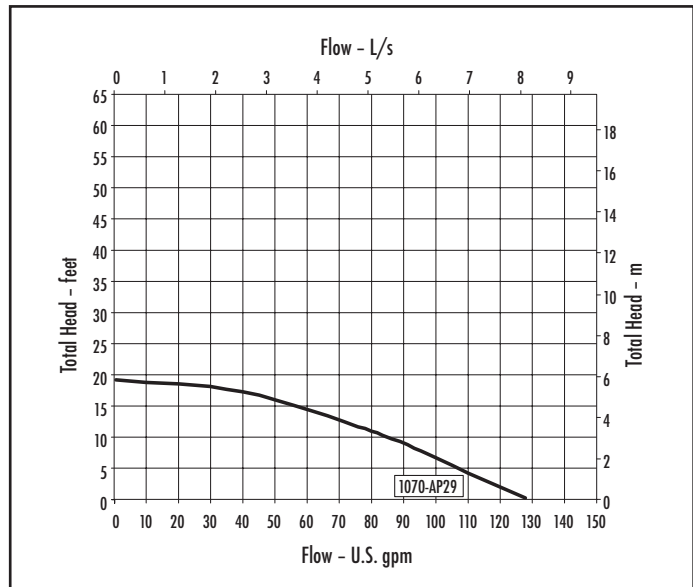
Pump Body	Cast Iron (closed systems), Bronze (open systems)
Face Plate	Stainless Steel
Impeller	30% Glass-filled Noryl®
Shaft	Stainless Steel
Bearings	Permanently Lubricated Stainless Steel
Gasket	EPDM
Seal	Silicon Carbide EnviroSeal

Technical Data

Flow Range	0 – 128.0 U.S. gpm (0 – 8.1 L/s)
Head Range	0 – 19.0 feet (0 – 5.8 m)
Maximum Fluid Temperature	230°F (110°C)
Maximum Working Pressure	150 psi (1034 kPa)

Motor Data

Nominal Power	2/5 HP (300 W)			
Voltage	120V	208V	240V	277V
Full Load Amp Draw	3.9 A	2.0 A	2.0 A	2.0 A
Frequency	60 Hz			
Motor Type	2 pole, Single Phase, ODP			
Speed	3400 RPM			



AURORA ACCESSORIES

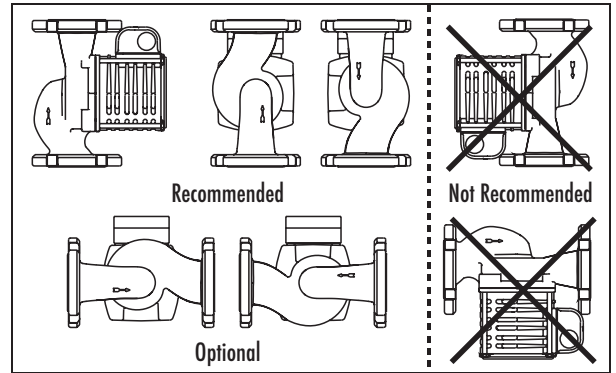
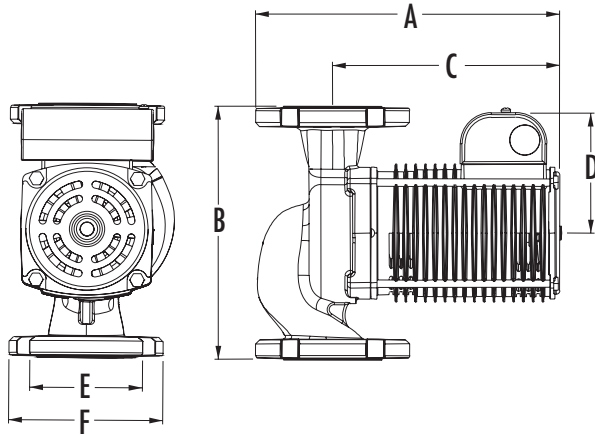
CIRCULATORS

SERIES 1070 – MODELS 1070-AP30 / 1070-APB30

Dated **JUNE 2013**

Supersedes Section 1070 Page 235

Dated June 2010



FOR INDOOR USE ONLY

Mounting Positions

Dimensions and Weights									
Model	Body	A	B	C	D	E	F	Connection Type & Size	Shipping Weight
1070-AP30	Cast Iron	10.2 (259)	8.5 (215)	7.6 (193)	4.0 (101)	2.9 (73)	5.2 (131)	2" diameter 4-bolt flanges	23.1 (10.5)
1070-APB30	Bronze								24.7 (11.2)
1070-AP30	Cast Iron	10.6 (269)	8.5 (215)	7.6 (193)	4.0 (101)	3.5 (89)	6.0 (152)	3" diameter 4-bolt flanges	27.7 (12.6)
1070-APB30	Bronze								27.7 (12.6)

NOTE: All dimensions are in inches (mm) and weights in lbs. (kg).

Materials of Construction

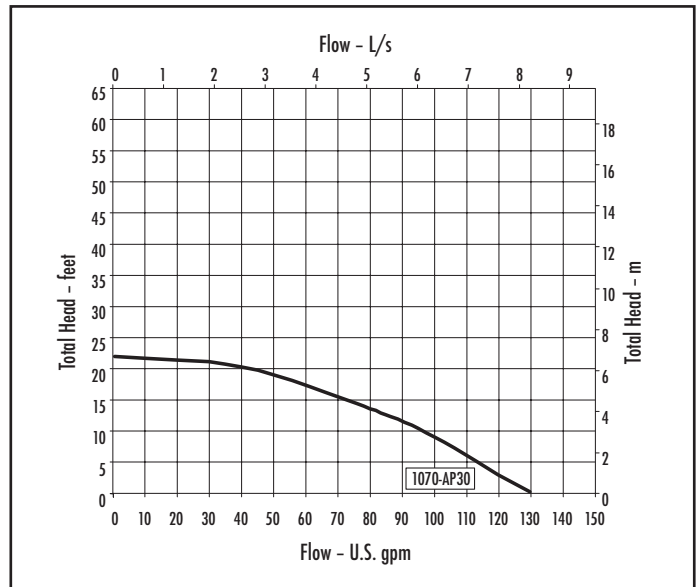
Pump Body	Cast Iron (closed systems), Bronze (open systems)
Face Plate	Stainless Steel
Impeller	30% Glass-filled Noryl®
Shaft	Stainless Steel
Bearings	Permanently Lubricated Stainless Steel
Gasket	EPDM
Seal	Silicon Carbide EnviroSeal

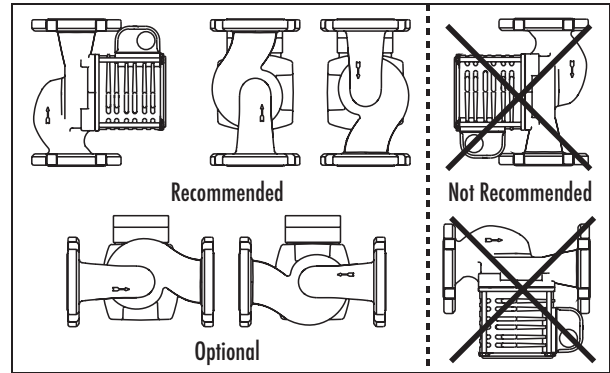
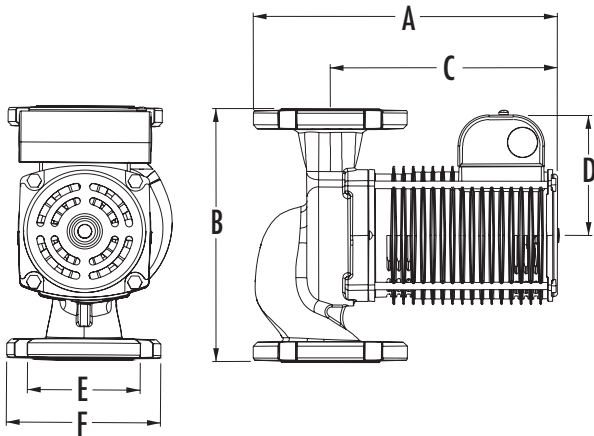
Technical Data

Flow Range	0 – 130.0 U.S. gpm (0 – 8.2 L/s)
Head Range	0 – 22.0 feet (0 – 6.7 m)
Maximum Fluid Temperature	230°F (110°C)
Maximum Working Pressure	150 psi (1034 kPa)

Motor Data

Nominal Power	2/5 HP (300 W)			
Voltage	120V	208V	240V	277V
Full Load Amp Draw	4.1 A	2.4 A	2.4 A	2.4 A
Frequency	60 Hz			
Motor Type	2 pole, Single Phase, ODP			
Speed	3350 RPM			





FOR INDOOR USE ONLY

Mounting Positions

Dimensions and Weights									
Model	Body	A	B	C	D	E	F	Connection Type & Size	Shipping Weight
1070-AP33	Cast Iron	10.2 (259)	8.5 (215)	7.6 (193)	4.0 (101)	2.9 (73)	5.2 (131)	2" diameter 4-bolt flanges	23.1 (10.5)
1070-APB33	Bronze								24.7 (11.2)
1070-AP33	Cast Iron	10.6 (269)	8.5 (215)	7.6 (193)	4.0 (101)	3.5 (89)	6.0 (152)	3" diameter 4-bolt flanges	27.7 (12.6)
1070-APB33	Bronze								27.7 (12.6)

NOTE: All dimensions are in inches (mm) and weights in lbs. (kg).

Materials of Construction

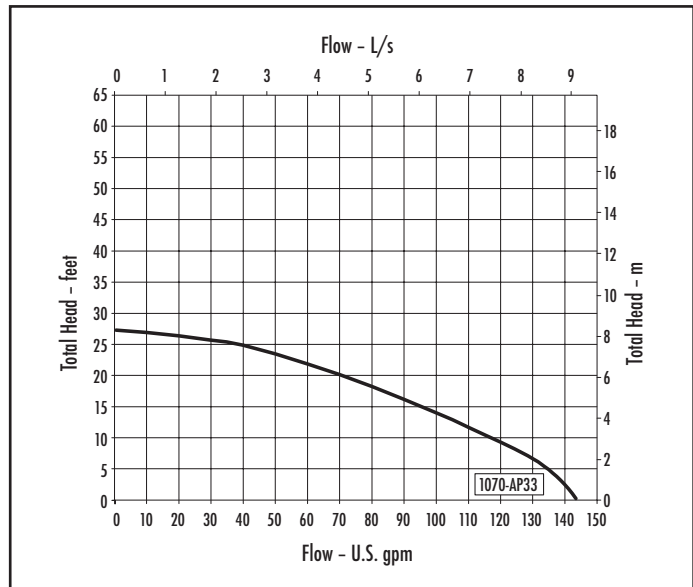
Pump Body	Cast Iron (closed systems), Bronze (open systems)
Face Plate	Stainless Steel
Impeller	30% Glass-filled Noryl®
Shaft	Stainless Steel
Bearings	Permanently Lubricated Stainless Steel
Gasket	EPDM
Seal	Silicon Carbide EnviroSeal

Technical Data

Flow Range	0 – 143.0 U.S. gpm (0 – 9.0 L/s)
Head Range	0 – 26.0 feet (0 – 7.9 m)
Maximum Fluid Temperature	230°F (110°C)
Maximum Working Pressure	150 psi (1034 kPa)

Motor Data

Nominal Power	2/5 HP (300 W)			
Voltage	120V	208V	240V	277V
Full Load Amp Draw	5.7 A	3.1 A	3.1 A	3.1 A
Frequency	60 Hz			
Motor Type	2 pole, Single Phase, ODP			
Speed	3300 RPM			

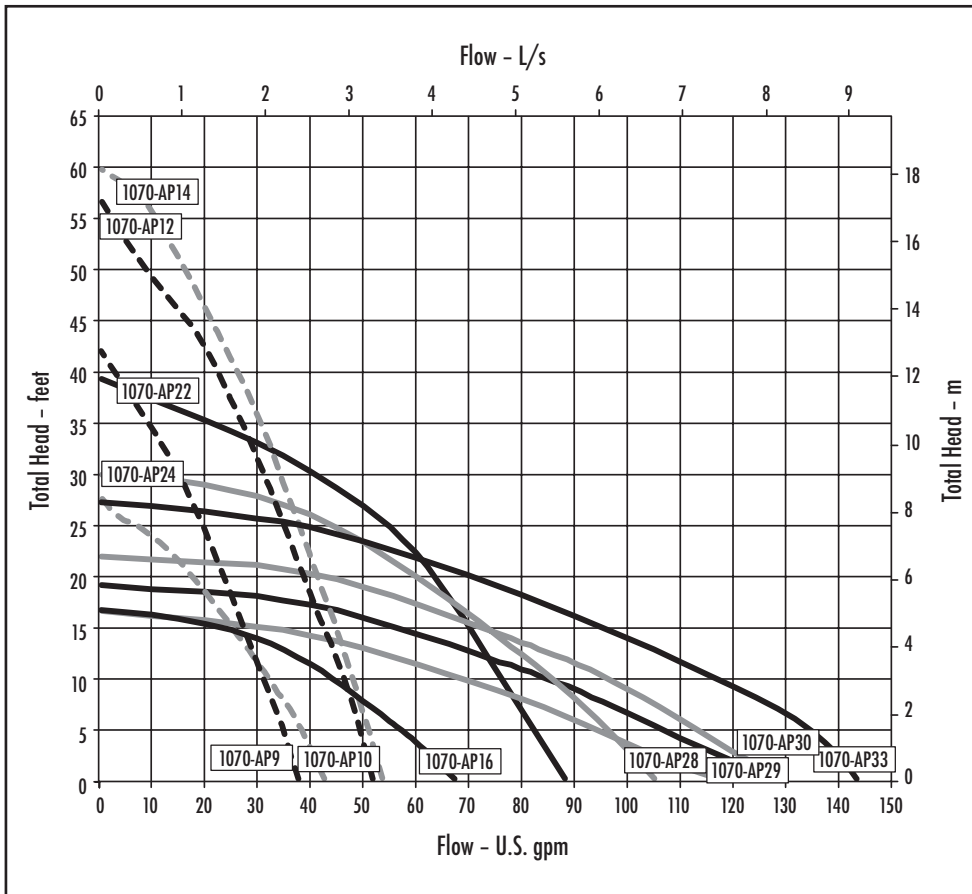
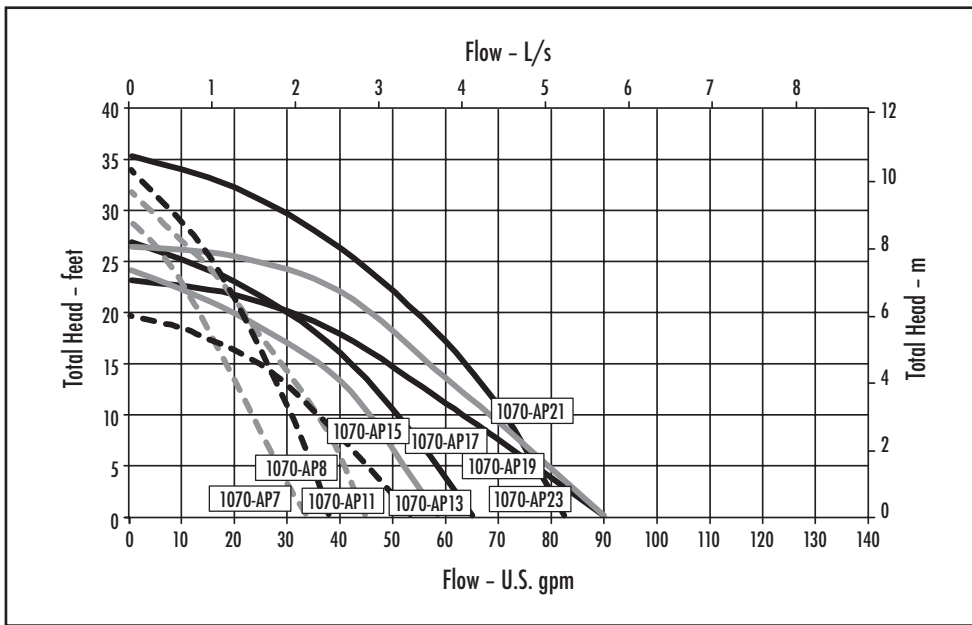


AURORA ACCESSORIES

CIRCULATORS

SERIES 1070 – MODELS 1070-AP7-1070AP17,
1070-AP19, 21, 22-24, 28-30 AND 1070-AP33

Composite Performance Curves



Section **1070** Page **238**

Dated **JUNE 2013**

Supersedes Section 1070 Page 238
Dated June 2010

THIS PAGE LEFT INTENTIONALLY BLANK