

NOTES

1. All dimensions are in inches (mm).
2. Dimensions may vary $\pm 3/8"$ (10).
3. Not for construction purposes unless certified.
4. Suction & discharge flanges - American Standard flat face.
5. *5x5x12 and 6x6x12 Standard 150# Suction Flanges & 300# Discharge Flanges.
6. †5x5x12 and 6x6x12 Opt. 300# Flanges.

STD. 125# SUCTION FLANGES & 250# DISCHARGE FLANGES*	OPT. 250# FLANGES†
---	--------------------

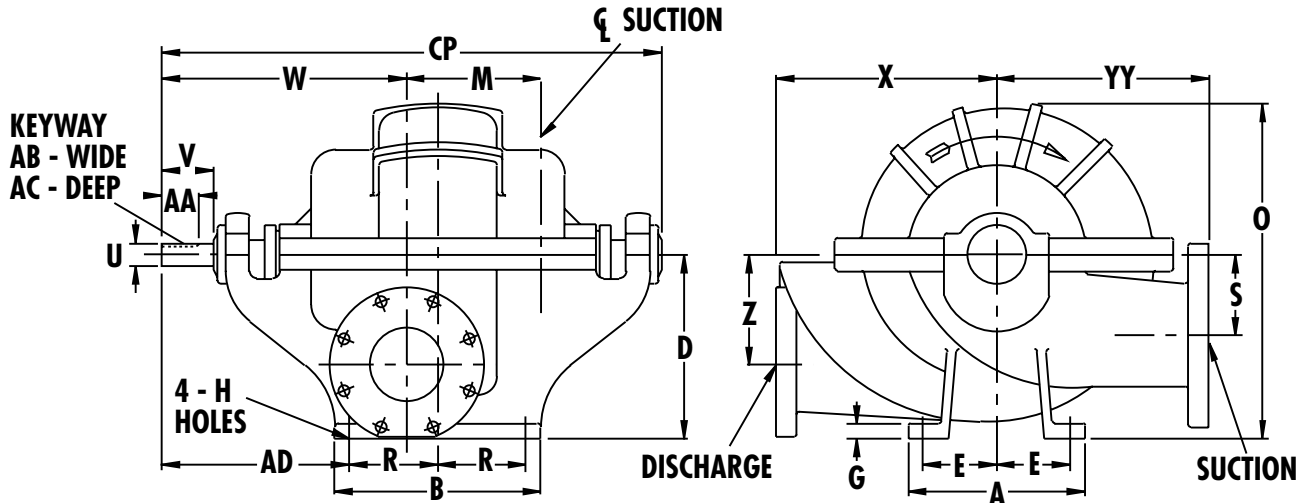
RIGHT HAND PUMP DIMENSIONS

PUMP SIZE			POWER SERIES	A	B	D	E	G	H	M	O	R	S	U	V	W	X	Z	AA	AB	AC	AD	CP	YY
DISCH	SUCTION	CASE BORE		A	B	D	E	G	H	M	O	R	S	U	V	W	X	Z	AA	AB	AC	AD	CP	YY
2	2-1/2	12	2	8 (203)	10 (254)	9 (229)	3-1/2 (89)	3/4 (19)	5/8 (16)	4-3/4 (121)	19 (483)	4 (102)	4 (102)	1-1/8 (29)	2-3/4 (70)	15-3/4 (400)	10 (254)	5-1/2 (140)	2 (51)	1/4 (6)	1/8 (3)	10-1/2 (268)	26-1/4 (667)	10-1/4 (260)
2-1/2	3	12	2	8 (203)	10 (254)	9 (229)	3-1/2 (89)	3/4 (19)	5/8 (16)	5-3/8 (137)	19 (483)	4 (102)	4 (102)	1-1/8 (29)	2-3/4 (70)	15-7/8 (403)	11 (279)	5-1/2 (140)	2 (51)	1/4 (6)	1/8 (3)	10-1/2 (268)	26-1/4 (667)	11 (279)
3	4	14	3	10 (254)	12 (305)	10 (254)	4-1/4 (108)	7/8 (22)	3/4 (19)	6-3/4 (171)	21 (533)	5 (127)	4-1/2 (114)	1-3/8 (35)	3 (76)	18-3/4 (476)	12 (305)	6 (152)	2 (51)	3/8 (10)	3/16 (5)	12 (305)	31 (787)	12-3/8 (314)
4	5	15	3	10 (254)	12 (305)	11 (279)	4-1/4 (108)	7/8 (22)	3/4 (19)	7-1/8 (181)	23 (584)	5 (127)	5 (127)	1-3/8 (35)	3 (76)	18-7/8 (479)	13 (330)	6-1/2 (165)	2 (51)	3/8 (10)	3/16 (5)	12 (305)	31 (787)	13-1/2 (343)
5	5	12	4A	15 (381)	16 (305)	14 (356)	6-1/2 (165)	1 (25)	7/8 (22)	6-5/8 (168)	24-1/4 (616)	7 (178)	7 (178)	1-1/2 (38)	3-5/8 (92)	20-7/8 (530)	13 (330)	7 (178)	2-1/2 (64)	3/8 (10)	3/16 (5)	12-1/2 (318)	35-3/8 (899)	13 (330)
5	6	15	4	12 (305)	14 (356)	12-1/2 (318)	5 (127)	1 (25)	7/8 (22)	9-1/8 (232)	24-1/2 (622)	6 (152)	5-1/2 (140)	1-1/2 (38)	3-1/2 (89)	21-1/8 (537)	15 (381)	7-1/2 (191)	2 (51)	3/8 (10)	3/16 (5)	13 (330)	34-1/2 (876)	15-7/16 (392)
6	6	12	5A	16 (406)	19 (483)	15 (381)	7 (178)	1 (25)	7/8 (22)	7-1/2 (191)	26-1/4 (667)	8-1/2 (216)	8 (203)	1-3/4 (44)	4 (102)	22-7/8 (581)	14 (356)	8 (203)	2-3/4 (70)	3/8 (10)	3/16 (5)	12-3/4 (324)	38-1/2 (978)	14 (356)
6	8	17	5	12 (305)	14 (356)	14-3/4 (375)	5 (127)	1 (25)	7/8 (22)	11 (279)	28-1/4 (718)	6 (152)	7 (178)	1-3/4 (44)	4 (102)	24-1/2 (622)	16 (406)	9 (229)	2-7/8 (73)	3/8 (10)	3/16 (5)	15 (381)	38 (965)	16-1/2 (419)

Date **November 2001**

Supersedes Section 420 Page 202

Dated April 1973

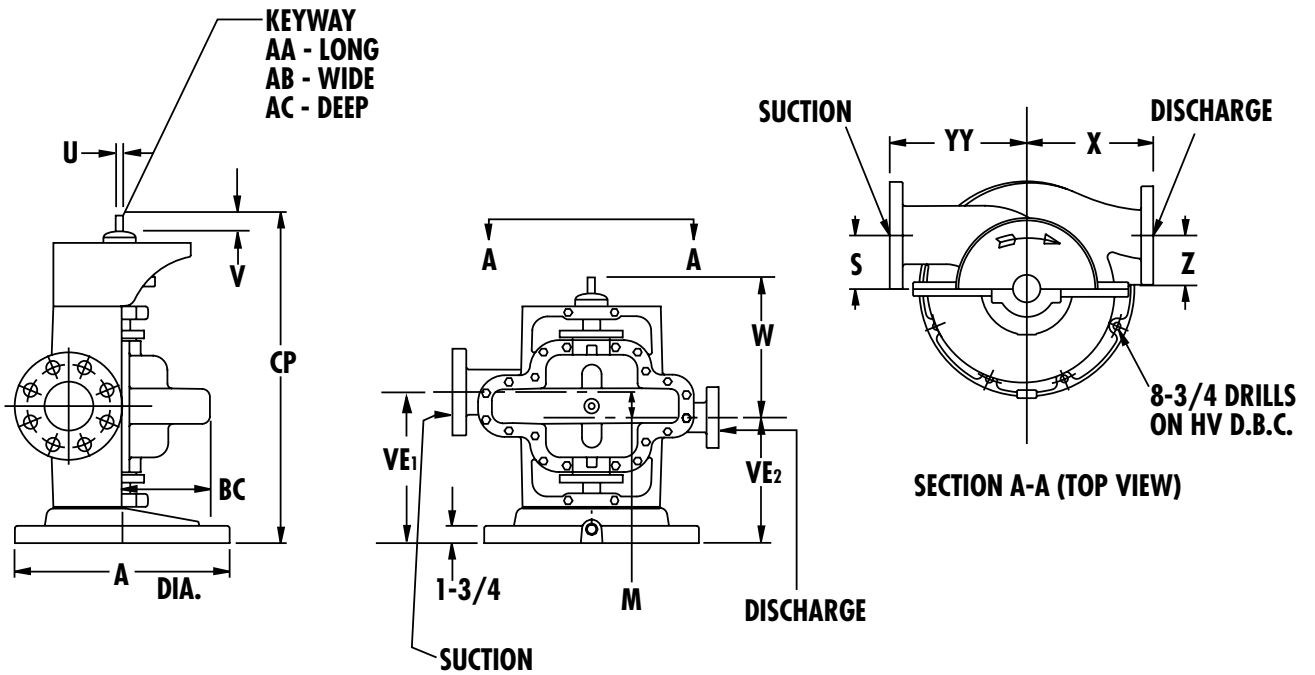


- NOTES
1. All dimensions are in inches (mm).
 2. Dimensions may vary $\pm 3/8"$ (10).
 3. Not for construction purposes unless certified.
 4. Discharge and suction flanges - American standard flat face.
 5. *5x5x12 and 6x6x12 Standard 150# Suction Flanges & 300# Discharge Flanges.
 6. †5x5x12 and 6x6x12 Opt. 300# Flanges.

STD. 125# SUCTION FLANGES & 250# DISCHARGE FLANGES*	OPT. 250# FLANGES†
---	--------------------

LEFT HAND PUMP DIMENSIONS

PUMP SIZE			POWER SERIES	A	B	D	E	G	H	M	O	R	S	U	V	W	X	Z	AA	AB	AC	AD	CP	YY
DISCH	SUCTION	CASE BORE		(203)	(254)	(229)	(89)	(19)	(16)	(137)	(483)	(102)	(102)	(29)	(70)	(337)	(254)	(140)	(51)	(6)	(3)	(268)	(667)	(260)
2	2-1/2	12	2	8	10	9	3-1/2	3/4	5/8	4-3/4	19	4	4	1-1/8	2-3/4	13-1/4	10	5-1/2	2	1/4	1/8	10-1/2	26-1/4	10-1/4
2-1/2	3	12	2	8	10	9	3-1/2	3/4	5/8	5-3/8	19	4	4	1-1/8	2-3/4	13-1/8	11	5-1/2	2	1/4	1/8	10-1/2	26-1/4	11
3	4	14	3	10	12	10	4-1/4	7/8	3/4	6-3/4	21	5	4-1/2	1-3/8	3	15-1/4	12	6	2	3/8	3/16	12	31	12-3/8
4	5	15	3	10	12	11	4-1/4	7/8	3/4	7-1/8	23	5	5	1-3/8	3	15-1/8	13	6-1/2	2	3/8	3/16	12	31	13-1/2
5	5	12	4A	15	16	14	6-1/2	1	7/8	6-5/8	24-1/4	7	7	1-1/2	3-5/8	18-1/8	13	7	2-1/2	3/8	3/16	12-1/2	35-3/8	13
5	6	15	4	12	14	12-1/2	5	1	7/8	9-1/8	24-1/2	6	5-1/2	1-1/2	3-1/2	16-7/8	15	7-1/2	2	3/8	3/16	13	34-1/2	15-7/16
6	6	12	5A	16	19	15	7	1	7/8	7-1/2	26-1/4	8-1/2	8	1-3/4	4	19-5/8	14	8	2-3/4	3/8	3/16	12-3/4	38-1/2	14
6	8	17	5	12	14	14-3/4	5	1	7/8	11	28-1/4	6	7	1-3/4	4	17-1/2	16	9	2-7/8	3/8	3/16	15	38	16-1/2



NOTES

1. All dimensions are in inches (mm).
2. Dimensions may vary $\pm 3/8"$ (10).
3. Not for construction purposes unless certified.
4. Discharge and suction flanges - American Standard flat face.

STD. *125# SUCTION FLANGES & *250# DISCHARGE FLANGES	OPT. *250# FLANGES
--	--------------------

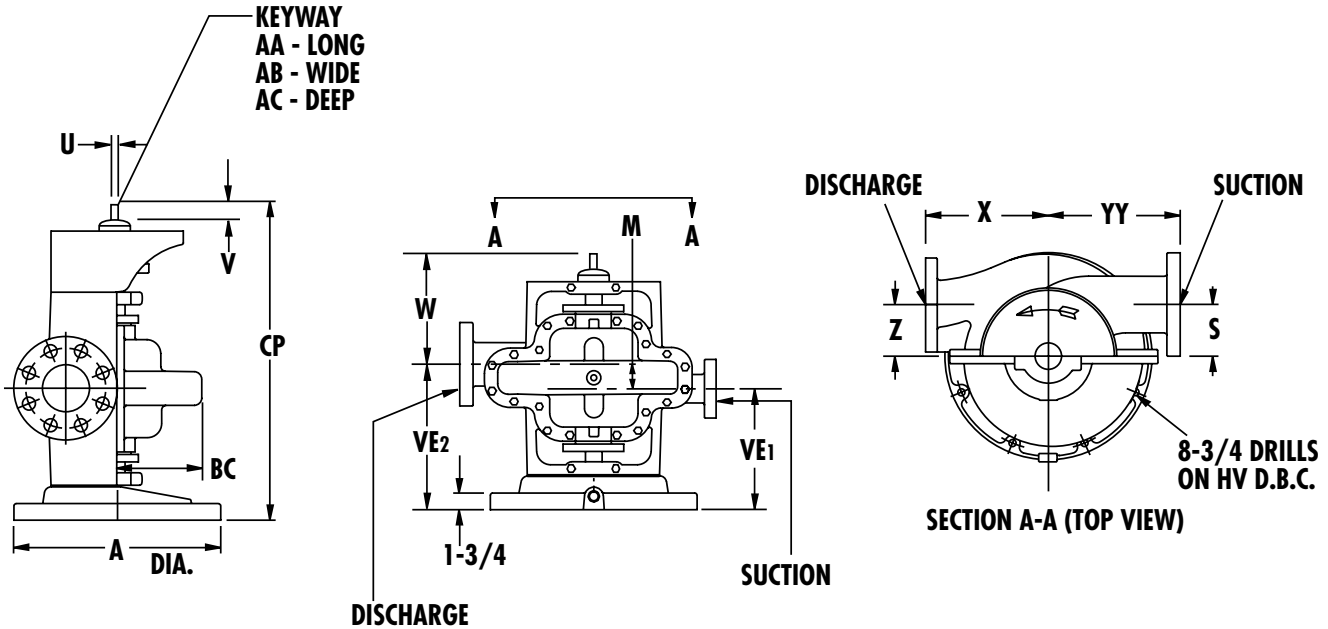
RIGHT HAND PUMP DIMENSIONS

PUMP SIZE			POWER SERIES	A	M	S	U	V	W	Z	AA	AB	AC	BC	CP	HV	VE ₁	VE ₂	X	YY
DISCH	SUCTION	CASE BORE																		
2	2-1/2	12	2	18 (457)	4-3/4 (121)	4 (102)	1-1/8 (29)	2-3/4 (70)	15-3/4 (400)	5-1/2 (140)	2 (51)	1/4 (6)	1/8 (3)	10 (254)	28-5/8 (651)	16-1/4 (413)	17-5/8 (448)	12-7/8 (327)	10 (254)	10-1/4 (260)
2-1/2	3	12	2	18 (457)	5-3/8 (137)	4 (102)	1-1/8 (29)	2-3/4 (70)	15-7/8 (403)	5-1/2 (140)	2 (51)	1/4 (6)	1/8 (3)	10 (254)	28-5/8 (651)	16-1/4 (413)	18-1/8 (460)	12-3/4 (324)	11 (279)	11 (279)
3	4	14	3	22 (559)	6-3/4 (171)	4-1/2 (114)	1-3/8 (35)	3 (76)	18-3/4 (476)	6 (152)	2 (51)	3/8 (10)	3/16 (5)	11 (279)	33-1/2 (851)	20 (508)	21-1/2 (546)	14-3/4 (375)	12 (305)	12-3/8 (314)

Date **March 2004**

Supersedes Section 420 Page 204

Dated November 2001



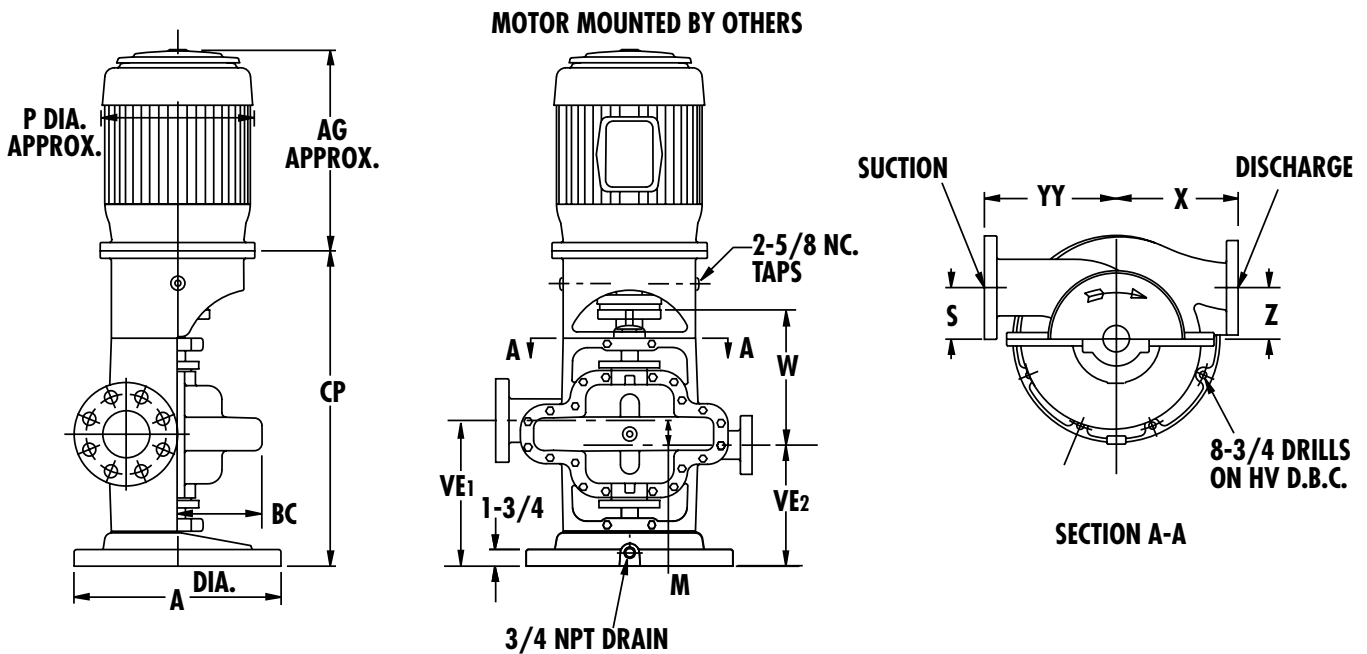
NOTES

1. All dimensions are in inches (mm).
2. Dimensions may vary $\pm 3/8"$ (10).
3. Not for construction purposes unless certified.
4. Discharge and suction flanges - American Standard flat face.

STD. 125# SUCTION FLANGES & 250# DISCHARGE FLANGES	OPT. *250# FLANGES
--	--------------------

LEFT HAND PUMP DIMENSIONS

PUMP SIZE			POWER SERIES	A	M	S	U	V	W	Z	AA	AB	AC	BC	CP	HV	VE ₁	VE ₂	X	YY
DISCH	SUCTION	CASE BORE		(457)	(121)	(102)	(29)	(70)	(330)	(140)	(51)	(6)	(3)	(254)	(651)	(413)	(270)	(391)	(254)	(260)
2	2-1/2	12	2	18	4-3/4	4	1-1/8	2-3/4	13-1/4	5-1/2	2	1/4	1/8	10	28-5/8	16-1/4	10-5/8	15-3/8	10	10-1/4
2-1/2	3	12	2	18	5-3/8	4	1-1/8	2-3/4	13-1/8	5-1/2	2	1/4	1/8	10	28-5/8	16-1/4	10-1/8	15-1/2	11	11
3	4	14	3	22	6-3/4	4-1/2	1-3/8	3	15-1/4	6	2	3/8	3/16	11	33-1/2	20	11-1/2	18-1/4	12	12-3/8
				(559)	(171)	(114)	(35)	(76)	(387)	(152)	(51)	(10)	(5)	(279)	(851)	(508)	(292)	(464)	(305)	(314)



NOTES

1. All dimensions are in inches (mm).
2. Dimensions may vary $\pm 3/8"$ (10).
3. Not for construction purposes unless certified.
4. Coupling gap may vary $1/8"$ to $1"$.
5. Conduit box is shown in approximate location. Dimensions are not specified as they vary with each motor manufacturer.
6. Discharge and suction flanges - American Standard flat face.

STD. 125# SUCTION FLANGES & 250# DISCHARGE FLANGES	OPT. 250# FLANGES
--	-------------------

RIGHT HAND PUMP DIMENSIONS

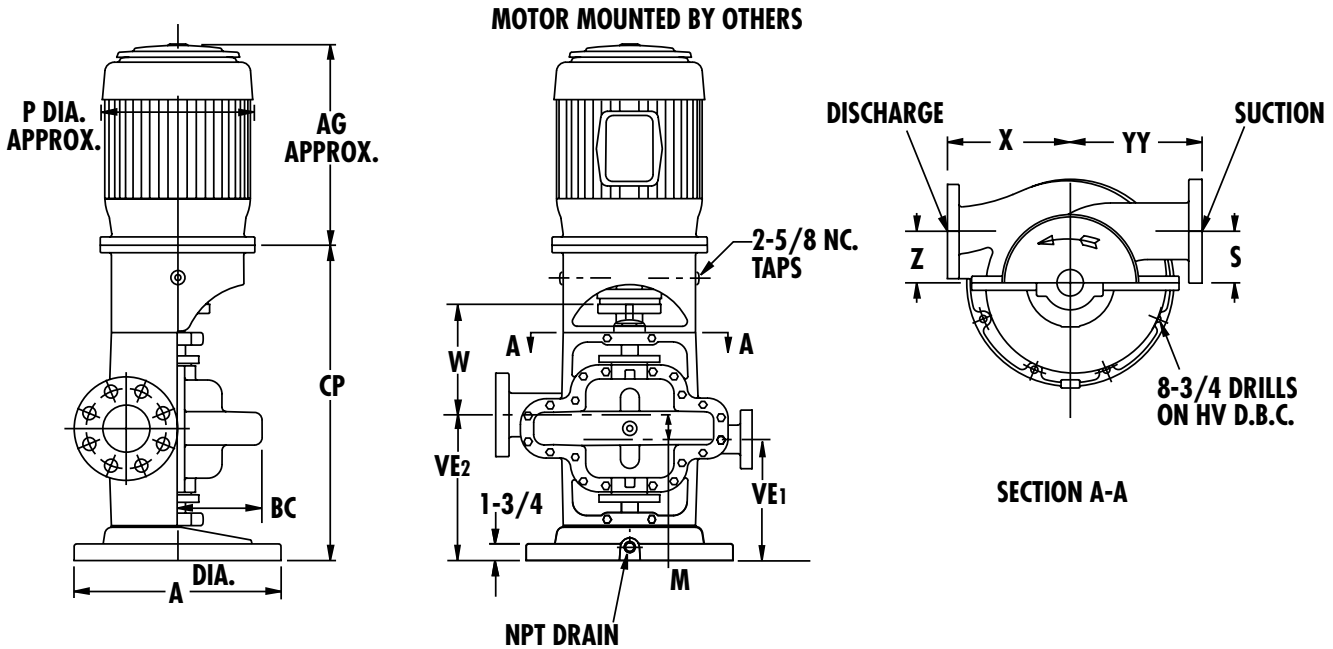
PUMP SIZE			POWER SERIES	A	M	S	W	Z	BC	CP		HV	VE ₁	VE ₂	X	YY
DISCH	SUCTION	CASE BORE								143HP-256HP	284HPH 404HP					
2	2-1/2	12	2	18 (457)	4-3/4 (121)	4 (102)	15-3/4 (400)	5-1/2 (140)	10 (254)	32-1/8 (816)	34 (864)	16-1/4 (413)	17-5/8 (448)	12-7/8 (327)	10 (254)	10-1/4 (260)
2-1/2	3	12	2	18 (457)	5-3/8 (137)	4 (102)	15-7/8 (403)	5-1/2 (140)	10 (254)	32-1/8 (816)	34 (864)	16-1/4 (413)	18-1/8 (460)	12-3/4 (324)	11 (279)	11 (279)
3	4	14	3	22 (559)	6-3/4 (171)	4-1/2 (114)	18-3/4 (476)	6 (152)	11 (279)	37-3/8 (949)	39-3/4 (1010)	20 (508)	21-1/2 (546)	14-3/4 (375)	12 (305)	12-3/8 (314)

Frame	143 HP	145 HP	182 HP	184 HP	213 HP	215 HP	254 HP	256 HP	284 HP	286 HP	324 HP	326 HP	364 HP	365 HP	404 HP
P	8	8	10	10	11	11	13	13	16	16	18	18	20	20	22
AG	11	12	13	14	16	18	20	22	23	24	25	27	32	32	35

Date **March 2004**

Supersedes Section 420 Page 206

Dated November 2001



NOTES

1. All dimensions are in inches (mm).
2. Dimensions may vary $\pm 3/8"$ (10).
3. Not for construction purposes unless certified.
4. Coupling gap may vary $1/8"$ to $1"$.
5. Conduit box is shown in approximate location. Dimensions are not specified as they vary with each motor manufacturer.
6. Discharge and suction flanges - American Standard flat face.

STD. 125# SUCTION FLANGES & 250# DISCHARGE FLANGES	OPT. 250# FLANGES
--	-------------------

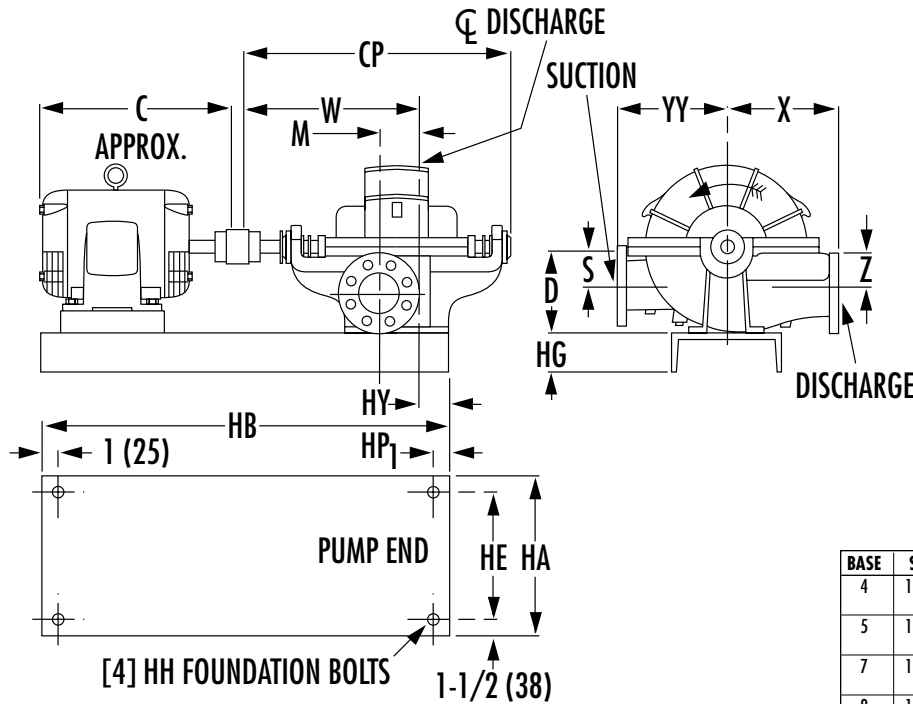
LEFT HAND PUMP DIMENSIONS

PUMP SIZE			POWER SERIES	A	M	S	W	Z	BC	CP		HV	VE ₁	VE ₂	X	YY
DISCH	SUCTION	CASE BORE								143HP-256HP	284HPH-404HPH					
2	2-1/2	12	2	18 (457)	4-3/4 (121)	4 (102)	13-1/4 (349)	5-1/2 (140)	10 (254)	32-1/8 (816)	34 (864)	16-1/4 (413)	10-5/8 (270)	15-3/8 (391)	10 (254)	10-1/4 (260)
2-1/2	3	12	2	18 (457)	5-3/8 (137)	4 (102)	13-1/8 (340)	5-1/2 (140)	10 (254)	32-1/8 (816)	34 (864)	16-1/4 (413)	10-1/8 (257)	15-1/2 (394)	11 (279)	11 (279)
3	4	14	3	22 (559)	6-3/4 (171)	4-1/2 (114)	15-1/4 (387)	6 (152)	11 (279)	37-3/8 (949)	39-3/4 (1010)	20 (508)	11-1/2 (292)	18-1/4 (464)	12 (305)	12-3/8 (314)

Frame	143 HP	145 HP	182 HP	184 HP	213 HP	215 HP	254 HP	256 HP	284 HPH	286 HPH	324 HP	326 HP	364 HP	365 HP	404 HP
P	8	8	10	10	11	11	13	13	16	16	18	18	20	20	22
AG	11	12	13	14	16	18	20	22	23	24	25	27	32	32	35

AURORA MODEL 421 PUMPS

ON STEEL BASE
RIGHT HAND PUMP



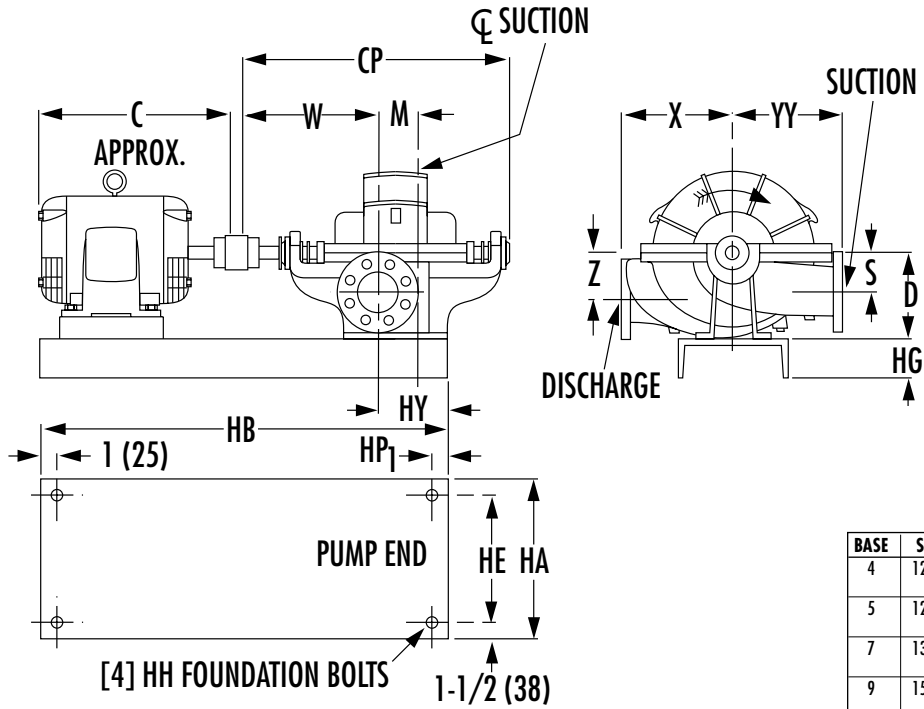
RIGHT HAND PUMP

NOTES

1. All dimensions are in inches.
2. Dimensions may vary $\pm 3/8"$.
3. Not for construction purposes unless certified.
4. Coupling gap may vary $1/8"$ thru $1"$.
5. Conduit box is shown in approximate location. Dimensions are not specified as they vary with each motor manufacturer.
6. Suction and discharge flanges are ANSI standard flat face.

BASE	SIZE	HA	HB	HE	HG	HH	HP
4	12x34	12 (305)	34 (863)	9 (228)	3 (76)	1/2 (13)	20 (508)
5	12x38	12 (305)	38 (964)	9 (228)	3 (76)	1/2 (13)	20 (508)
7	13x42	13 (330)	42 (1066)	10 (254)	4 (102)	5/8 (16)	24 (609)
9	15x44	15 (381)	44 (1117)	12 (305)	3-3/8 (86)	5/8 (16)	24 (609)
11	18x48	18 (457)	48 (1218)	15 (381)	4 (102)	5/8 (16)	1 (25)
12	18x54	18 (457)	54 (1371)	15 (381)	4 (102)	5/8 (16)	1 (25)
13	18x60	18 (457)	60 (1523)	15 (381)	4 (102)	5/8 (16)	24 (609)
15	22x60	22 (558)	60 (1523)	19 (482)	4 (102)	5/8 (16)	1 (25)
16	22x72	22 (558)	72 (1827)	19 (482)	4 (102)	5/8 (16)	1 (25)
17	22x84	22 (558)	84 (2134)	19 (482)	4 (102)	5/8 (16)	1 (25)

PUMP SIZE		CASE BORE	POWER SERIES	STANDARD 125# SUCTION FLANGE, 250# DISCHARGE FLANGE		OPTIONAL 250# SUCTION AND DISCHARGE FLANGES		STANDARD 5x5x12 & 6x6x12 150# SUCTION FLANGE, 300# DISCHARGE FLANGE		OPTIONAL 5x5x12 & 6x6x12 300# SUCTION AND DISCHARGE FLANGES		C FRAME		145T	182T	184T	213T	215T	254T	256T	284T	286T	324T	326T	364T	365T	404T	404T	405T	444T	445T	447T	449T		
DISCH	SUCTION			D	M	S	W	Z	CP	HY	X	YY	12	13	14	16	18	21	22	23	24	25	26	26	28	27	28	30	33	31	34	36	39	45	
2	2-1/2	12	2	9 (228)	4-3/4 (121)	4 (102)	15-3/4 (400)	5-1/2 (140)	26-1/4 (666)	3-3/4 (95)	10 (254)	10-1/4 (260)	BASE	4	4	4	5	5	9	9	9	9	11	11	11	11	11	11	11	11	11	11	11	11	
2-1/2	3	12	2	9-3/4 (248)	5-3/8 (136)	4 (102)	15-7/8 (403)	5-1/2 (140)	26-1/4 (666)	3-5/8 (92)	11 (279)	11 (279)	BASE	4	4	4	5	5	9	9	9	9	11	11	11	11	11	11	11	11	11	11	11	11	11
3	4	14	3	11 (279)	6-3/4 (171)	4-1/2 (114)	18-3/4 (476)	6 (152)	31 (787)	4-1/4 (108)	12 (305)	12-3/8 (314)	BASE	5	5	7	7	9	11	11	11	11	12	12	12	12	12	12	15	15	15	15	15	15	
4	5	15	3	11 (279)	7-1/8 (181)	5 (130)	18-7/8 (479)	6-1/2 (165)	31 (787)	4-1/8 (105)	13 (330)	13-1/2 (343)	BASE					9	11	11	11	11	12	12	12	12	12	15	15	15	15	15	15	15	
5	5	12	4A	14 (356)	6-5/8 (168)	7 (178)	20-7/8 (530)	7 (178)	35-3/8 (899)	11-1/8 (283)	13 (330)	13 (330)	BASE														16	16	16	16	17	17	17		
5	6	15	4	12-1/2 (317)	9-1/8 (232)	5-1/2 (140)	21-1/8 (536)	7-1/2 (190)	34-1/2 (876)	4-7/8 (124)	15 (381)	15-7/16 (392)	BASE				11	12	12	12	12	12	12	12	12	12	13	15	15	15	16	16	16	16	
6	6	12	5A	15 (381)	7-1/2 (191)	8 (203)	22-7/8 (581)	8 (203)	38-1/2 (978)	10-7/8 (276)	14 (356)	14 (356)	BASE														16	16	16	16	17	17	17		
6	8	17	5	14-3/4 (374)	11 (279)	7 (178)	24-1/2 (622)	9 (228)	38 (964)	3-1/2 (89)	16 (406)	16-1/2 (419)	BASE				12	12	12	12	12	12	12	12	12	13	13	13	13	15	15	16	16	16	



LEFT HAND PUMP

NOTES

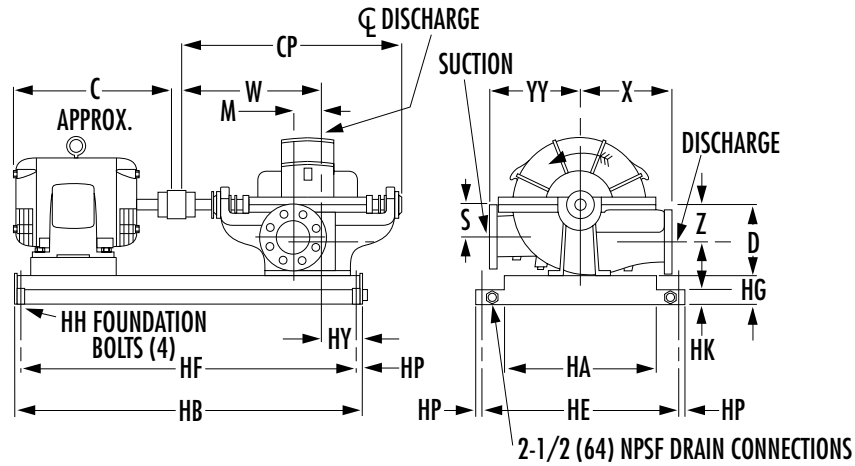
1. All dimensions are in inches.
2. Dimensions may vary $\pm 3/8"$.
3. Not for construction purposes unless certified.
4. Coupling gap may vary $1/8"$ thru $1"$.
5. Conduit box is shown in approximate location. Dimensions are not specified as they vary with each motor manufacturer.
6. Suction and discharge flanges are ANSI standard flat face.

BASE	SIZE	HA	HB	HE	HG	HH	HP
4	12x34	12 (305)	34 (863)	9 (228)	3 (76)	1/2 (13)	20 (508)
5	12x38	12 (305)	38 (964)	9 (228)	3 (76)	1/2 (13)	20 (508)
7	13x42	13 (330)	42 (1066)	10 (254)	4 (102)	5/8 (16)	24 (609)
9	15x44	15 (381)	44 (1117)	12 (305)	3-3/8 (86)	5/8 (16)	24 (609)
11	18x48	18 (457)	48 (1218)	15 (381)	4 (102)	5/8 (16)	25 (635)
12	18x54	18 (457)	54 (1371)	15 (381)	4 (102)	5/8 (16)	25 (635)
13	18x60	18 (457)	60 (1523)	15 (381)	4 (102)	5/8 (16)	24 (609)
15	22x60	22 (558)	60 (1523)	19 (482)	4 (102)	5/8 (16)	25 (635)
16	22x72	22 (558)	72 (1827)	19 (482)	4 (102)	5/8 (16)	25 (635)
17	22x84	22 (558)	84 (2134)	19 (482)	4 (102)	5/8 (16)	25 (635)

PUMP SIZE		CASE BORE	POWER SERIES	STANDARD 125# SUCTION FLANGE, 250# DISCHARGE FLANGE		OPTIONAL 250# SUCTION AND DISCHARGE FLANGES		STANDARD 5x5x12 & 6x6x12 150# SUCTION FLANGE, 300# DISCHARGE FLANGE		OPTIONAL 5x5x12 & 6x6x12 300# SUCTION AND DISCHARGE FLANGES		FRAME		DISCHARGE SIZE																																							
DISCH	SUCTION			D	M	S	W	Z	CP	HY	X	YY	C	FRAME	145T	182T	184T	213T	215T	254T	256T	284TS	284T	286TS	286T	324TS	324T	326TS	326T	364TS	364T	365TS	365T	404TS	404T	405TS	405T	444TS	444T	445TS	445T	447TS	447T	449TS	449T								
2	2-1/2	12	2	9 (228)	4-3/4 (121)	4 (102)	13-1/4 (337)	5-1/2 (140)	26-1/4 (666)	6-1/4 (159)	10 (254)	10-1/4 (260)	BASE	4	4	4	5	5	9	9	9	9	9	11	11	11	11	11	11	11	11	11	11	11	11	11	11	11	11	11	11	11	11	11	11	11	11	11					
2-1/2	3	12	2	9-3/4 (248)	5-3/8 (136)	4 (102)	13-1/8 (333)	5-1/2 (140)	26-1/4 (666)	6-3/8 (162)	11 (279)	11 (279)	BASE	4	4	4	5	5	9	9	9	9	9	11	11	11	11	11	11	11	11	11	11	11	11	11	11	11	11	11	11	11	11	11	11	11	11	11	11	11			
3	4	14	3	11 (279)	6-3/4 (171)	4-1/2 (114)	15-1/4 (387)	6 (152)	31 (787)	7-3/4 (197)	12 (305)	12-3/8 (314)	BASE	5	5	7	7	9	11	11	11	11	11	11	11	11	11	11	11	11	11	11	11	11	11	11	11	11	11	11	11	11	11	11	11	11	11	11	11	11			
4	5	15	3	11 (279)	7-1/8 (181)	5 (130)	15-1/8 (384)	6-1/2 (165)	31 (787)	7-7/8 (257)	13 (330)	13-1/2 (343)	BASE						9	11	11	11	11	11	11	11	11	11	11	11	11	11	11	11	11	11	11	11	11	11	11	11	11	11	11	11	11	11	11	11			
5	5	12	4A	14 (356)	6-5/8 (168)	7 (178)	18-1/8 (460)	7 (178)	35-3/8 (899)	13-7/8 (352)	13 (330)	13 (330)	BASE																																								
5	6	15	4	12-1/2 (317)	9-1/8 (232)	5-1/2 (140)	16-7/8 (536)	7-1/2 (190)	34-1/2 (876)	9-1/8 (232)	15 (381)	15-7/16 (392)	BASE					11	12	12	12	12	12	12	12	12	12	12	12	12	12	12	12	12	12	12	12	12	12	12	12	12	12	12	12	12	12	12	12	12	12		
6	6	12	5A	15 (381)	7-1/2 (191)	8 (203)	19-5/8 (498)	8 (203)	38-1/2 (978)	14-1/8 (359)	14 (356)	14 (356)	BASE																																								
6	8	17	5	14-3/4 (374)	11 (279)	7 (178)	17-1/2 (445)	9 (228)	38 (964)	10-1/2 (267)	16 (406)	16-1/2 (419)	BASE					12	12	12	12	12	12	12	12	12	12	12	12	12	12	12	12	12	12	12	12	12	12	12	12	12	12	12	12	12	12	12	12	12	12	12	12

AURORA MODEL 421 PUMPS

ON STEEL DRIP RIM BASE RIGHT HAND PUMP



RIGHT HAND PUMP

BASE	SIZE	HA	HB	HE	HF	HG	HH	HK	HP
3	9x33	9 (229)	33-1/2 (851)	13-3/4 (349)	32-1/4 (826)	3 (76)	3/8 (10)	1-1/2 (38)	5/8 (16)
5	11x36	11 (279)	36-1/2 (927)	15-7/8 (403)	35-1/8 (892)	3 (76)	1/2 (13)	1-1/2 (38)	11/16 (17)
6	11x42	11 (279)	42-1/2 (1080)	15-7/8 (403)	41-1/8 (1045)	3 (76)	1/2 (13)	1-1/2 (38)	11/16 (17)
8	14x42	14 (356)	42-1/2 (1080)	19 (483)	41 (1041)	3 (76)	5/8 (16)	1-1/2 (38)	3/4 (19)
9	14x48	14 (356)	48-1/2 (1232)	19 (483)	47 (1194)	3 (76)	5/8 (16)	1-1/2 (38)	3/4 (19)
10	14x56	14 (356)	56-1/2 (1435)	19 (483)	55 (1397)	3 (76)	5/8 (16)	1-1/2 (38)	3/4 (19)
11	18x46	18 (457)	46-1/2 (1181)	25-1/8 (638)	44-7/8 (1140)	4 (102)	3/4 (19)	2 (51)	13/16 (21)
12	18x54	18 (457)	54-1/2 (1384)	25-1/8 (638)	52-7/8 (1343)	4 (102)	3/4 (19)	2 (51)	13/16 (21)
13	18x64	18 (457)	64-1/2 (1638)	25-1/8 (638)	62-7/8 (1597)	4 (102)	3/4 (19)	2 (51)	13/16 (21)
15	22x54	22 (559)	54-1/2 (1384)	29-1/8 (740)	52-7/8 (1343)	4-1/2 (114)	3/4 (19)	2 (51)	13/16 (21)
16	22x64	22 (559)	64-1/2 (1638)	29-1/8 (740)	62-7/8 (1597)	4-1/2 (114)	3/4 (19)	2 (51)	13/16 (21)
17	22x74	22 (559)	74-1/2 (1892)	29-1/8 (740)	72-7/8 (1851)	4-1/2 (114)	3/4 (19)	2 (51)	13/16 (21)
18	22x82	22 (559)	82-1/2 (2273)	29-1/8 (740)	80-7/8 (2054)	4-1/2 (114)	3/4 (19)	2 (51)	13/16 (21)

NOTES

- All dimensions are in inches.
- Dimensions may vary $\pm 3/8"$.
- Not for construction purposes unless certified.
- Coupling gap may vary 1/8" thru 1".
- Conduit box is shown in approximate location. Dimensions are not specified as they vary with each motor manufacturer.
- Suction and discharge flanges are ANSI standard flat face.

PUMP SIZE		DISCH	SUCTION	CASE BORE	POWER SERIES	D	M	S	W	Z	CP	HY	X	YY	C FRAME	145T	182T	213T	215T	254T	256T	284TS	284T	286T	324TS	324T	326TS	326T	364TS	364T	365TS	365T	404TS	404T	405TS	405T	444T	444TS	445T	445TS	447T	447TS	449TS							
2	2-1/2	12	2	2	9 (228)	4-3/4 (121)	4 (102)	15-3/4 (400)	5-1/2 (140)	26-1/4 (666)	4-1/4 (108)	10 (254)	10-1/4 (260)	BASE	3	3	5	6	8	8	8	9	9	9	11	11	11	11	11	12	12	12																		
2-1/2	3	12	2	2	9-3/4 (248)	5-3/8 (136)	4 (102)	15-7/8 (403)	5-1/2 (140)	26-1/4 (666)	4-1/8 (105)	11 (279)	11 (279)	BASE	3	3	5	6	8	8	8	9	9	9	11	11	11	11	11	12	12	12																		
3	4	14	3	3	10-3/4 (273)	6-3/4 (171)	4-1/2 (114)	18-3/4 (476)	6 (152)	31 (787)	4-3/4 (121)	12 (305)	12-3/8 (314)	BASE					6	9	9	9	9	9	12	12	12	12	12	12	15	16	15																	
4	5	15	3	3	11 (279)	7-1/8 (181)	5 (130)	18-7/8 (479)	6-1/2 (165)	31 (787)	4-5/8 (117)	13 (330)	13-1/2 (343)	BASE								9	9	9	12	12	12	12	12	12	15	16	15	16	16															
5	5	12	4A	4A	14 (356)	6-5/8 (168)	7 (178)	20-7/8 (530)	7 (178)	35-3/8 (899)	11-1/8 (283)	13 (330)	13 (330)	BASE																	17	17	17	17	17															
5	6	15	4	4	12-1/2 (317)	9-1/8 (232)	5-1/2 (140)	21-1/8 (536)	7-1/2 (190)	34-1/2 (876)	5-3/8 (137)	15 (381)	15-7/16 (392)	BASE													12	12	12	12	13	16	16	16	16	16	16	16	16	16										
6	6	12	5A	5A	15 (381)	7-1/2 (191)	8 (203)	22-7/8 (581)	8 (203)	38-1/2 (978)	10-7/8 (276)	14 (356)	14 (356)	BASE																		17	17	17	17	17														
6	8	17	5	5	14-3/4 (374)	11 (279)	7 (178)	24-1/2 (622)	9 (228)	38 (964)	4 (102)	16 (406)	16-1/2 (419)	BASE								10	10	10	10	12	12	13	13	13	13	13	16	16	16	16	16	16	16	16	17									

AURORA MODEL 421 PUMPS

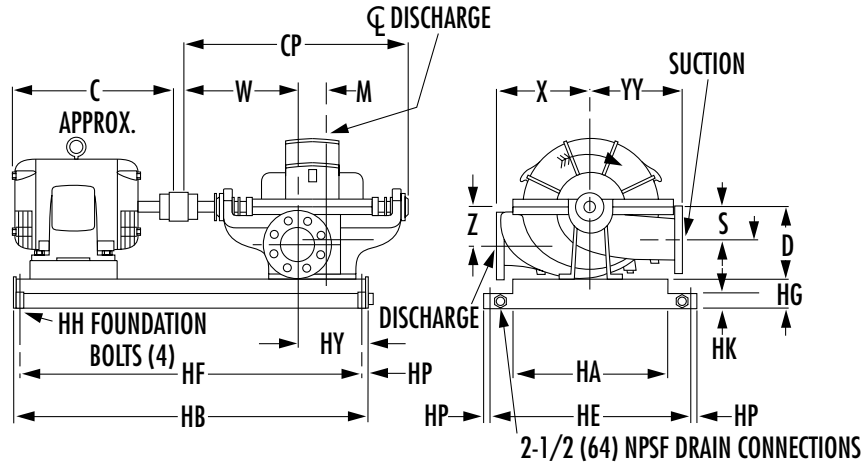
Date November 2001

ON STEEL DRIP RIM BASE

Supersedes Section 421 Page 302

LEFT HAND PUMP

Dated May 1991



LEFT HAND PUMP

BASE	SIZE	HA	HB	HE	HF	HG	HH	HK	HP
3	9x33	9 (229)	33-1/2 (851)	13-3/4 (349)	32-1/4 (826)	3 (76)	3/8 (10)	1-1/2 (38)	5/8 (16)
5	11x36	11 (279)	36-1/2 (927)	15-7/8 (403)	35-1/8 (892)	3 (76)	1/2 (13)	1-1/2 (38)	11/16 (17)
6	11x42	11 (279)	42-1/2 (1080)	15-7/8 (403)	41-1/8 (1045)	3 (76)	1/2 (13)	1-1/2 (38)	11/16 (17)
8	14x42	14 (356)	42-1/2 (1080)	19 (483)	41 (1041)	3 (76)	5/8 (16)	1-1/2 (38)	3/4 (19)
9	14x48	14 (356)	48-1/2 (1232)	19 (483)	47 (1194)	3 (76)	5/8 (16)	1-1/2 (38)	3/4 (19)
10	14x56	14 (356)	56-1/2 (1435)	19 (483)	55 (1397)	3 (76)	5/8 (16)	1-1/2 (38)	3/4 (19)
11	18x46	18 (457)	46-1/2 (1181)	25-1/8 (638)	44-7/8 (1140)	4 (102)	3/4 (19)	2 (51)	13/16 (21)
12	18x54	18 (457)	54-1/2 (1384)	25-1/8 (638)	52-7/8 (1343)	4 (102)	3/4 (19)	2 (51)	13/16 (21)
13	18x64	18 (457)	64-1/2 (1638)	25-1/8 (638)	62-7/8 (1597)	4 (102)	3/4 (19)	2 (51)	13/16 (21)
15	22x54	22 (559)	54-1/2 (1384)	29-1/8 (740)	52-7/8 (1343)	4-1/2 (114)	3/4 (19)	2 (51)	13/16 (21)
16	22x64	22 (559)	64-1/2 (1638)	29-1/8 (740)	62-7/8 (1597)	4-1/2 (114)	3/4 (19)	2 (51)	13/16 (21)
17	22x74	22 (559)	74-1/2 (1892)	29-1/8 (740)	72-7/8 (1851)	4-1/2 (114)	3/4 (19)	2 (51)	13/16 (21)
18	22x82	22 (559)	82-1/2 (2273)	29-1/8 (740)	80-7/8 (2054)	4-1/2 (114)	3/4 (19)	2 (51)	13/16 (21)

NOTES

- All dimensions are in inches.
- Dimensions may vary ± 3/8".
- Not for construction purposes unless certified.
- Coupling gap may vary 1/8" thru 1".
- Conduit box is shown in approximate location. Dimensions are not specified as they vary with each motor manufacturer.
- Suction and discharge flanges are ANSI standard flat face.

PUMP SIZE		STANDARD 125# SUCTION FLANGE, 250# DISCHARGE FLANGE	OPTIONAL 250# SUCTION AND DISCHARGE FLANGES	STANDARD 5x5x12 & 6x6x12 150# SUCTION FLANGE, 300# DISCHARGE FLANGE	OPTIONAL 5x5x12 & 6x6x12 300# SUCTION AND DISCHARGE FLANGES	145T	182T	184T	213T	215T	256T	284T	286T	286T	324T	326T	364T	365T	365T	404T	404T	405T	405T	444T	445T	445T	447T	449T
DISCH	SUCTION	CASE BORE	POWER SERIES	D	M	S	W	Z	CP	HY	X	YY	C FRAME	(330)	(330)	(330)	(330)	(330)	(330)	(330)	(330)	(330)	(330)	(330)	(330)	(330)	(330)	(330)
2	2-1/2	12	2	9 (228)	4-3/4 (121)	4 (102)	13-1/4 (337)	5-1/2 (140)	26-1/4 (666)	6-3/4 (171)	10 (254)	10-1/4 (260)	BASE	3	3	5	6	8	8	8	8	8	8	8	8	8	8	8
2-1/2	3	12	2	9-3/4 (248)	5-3/8 (136)	4 (102)	13-1/8 (333)	5-1/2 (140)	26-1/4 (666)	6-7/8 (175)	11 (279)	11 (279)	BASE	3	3	5	6	8	8	8	8	8	8	8	8	8	8	8
3	4	14	3	10-3/4 (273)	6-3/4 (171)	4-1/2 (114)	15-1/4 (387)	6 (152)	31 (787)	8-1/4 (210)	12 (305)	12-3/8 (314)	BASE			6	9	9	9	9	9	9	9	9	9	9	9	
4	5	15	3	11 (279)	7-1/8 (181)	5 (130)	15-1/8 (460)	6-1/2 (165)	31 (787)	8-3/8 (213)	13 (330)	13-1/2 (343)	BASE				9	9	9	9	9	9	9	9	9	9	9	
5	5	12	4A	14 (356)	6-5/8 (168)	7 (178)	18-1/8 (460)	7 (178)	35-3/8 (899)	13-7/8 (352)	13 (330)	13 (330)	BASE								17	17	17	17	17	17	18	
5	6	15	4	12-1/2 (317)	9-1/8 (232)	5-1/2 (140)	16-7/8 (429)	7-1/2 (190)	34-1/2 (876)	9-5/8 (244)	15 (381)	15-7/16 (392)	BASE				12	12	12	12	12	12	12	12	12	12	12	
6	6	12	5A	15 (381)	7-1/2 (191)	8 (203)	19-5/8 (498)	8 (203)	38-1/2 (978)	14-1/8 (359)	14 (356)	14 (356)	BASE									17	17	17	17	17	18	
6	8	17	5	14-3/4 (374)	11 (279)	7 (178)	17-1/2 (445)	9 (228)	38 (964)	11 (279)	16 (406)	16-1/2 (419)	BASE				10	10	10	10	10	10	10	10	10	10	10	