

MOTOR FRAME

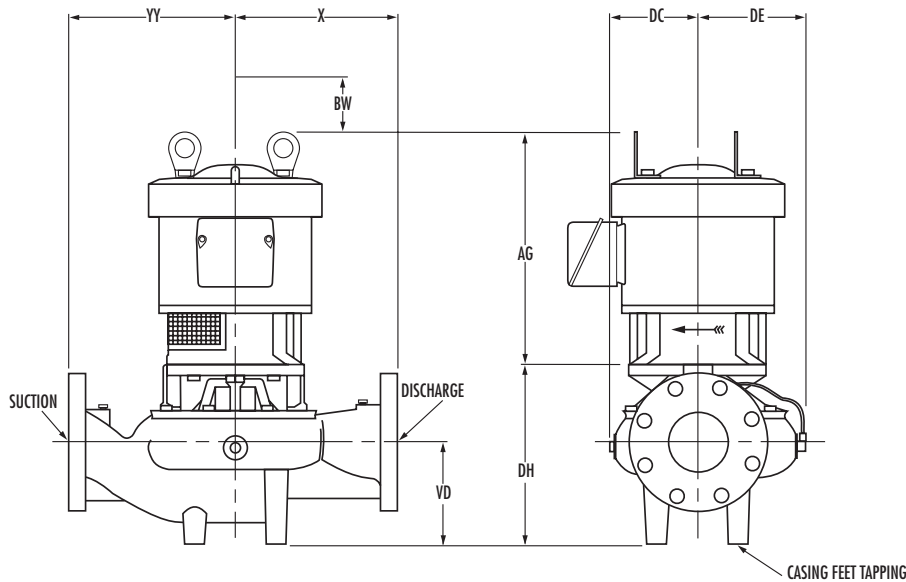
Date **July 2013**

143JM THRU 326JM

Supersedes Section 380 Page 201

WITH SPLIT SEAL OPTION (143JP/326JP)

Dated October 2003



JM and JP Motor Frames

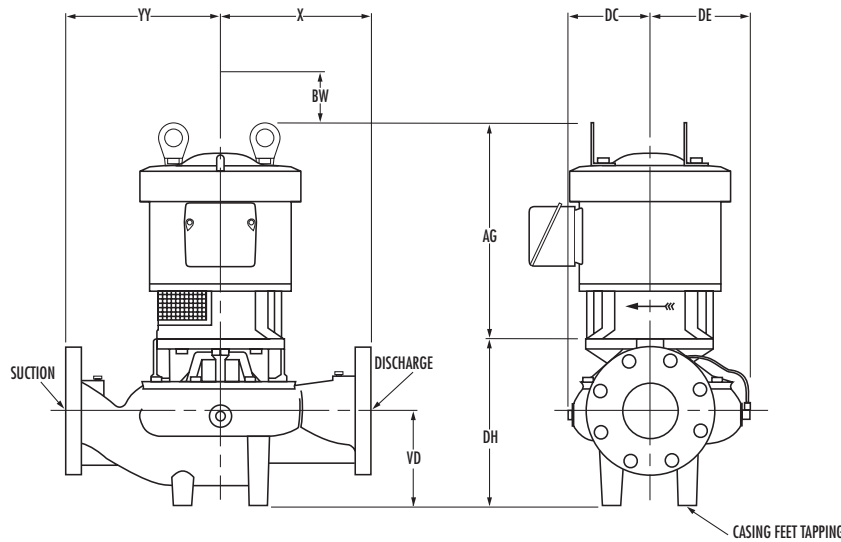
FRAME	AG APPROX.	
	O.D.P.	T.E.F.C. EXP. PR.
143	10	12
145	11	13
182	12	14
184	15	17
213	17	19
215	17	19
254	21	23
256	21	23
284	22	24
286	22	24
324	24	26
326	24	26

PUMP SIZE			X	BW (MIN)	DC	DE	DH(JM)		DH(JP)		YY	VD	CASING FEET TAPPING
DISCHARGE	SUCTION	CASE BORE					143JM THRU 215JM	254JM THRU 326JM	143JP THRU 184JP	213JP THRU 326JP			
1-1/2	1-1/2	9B	9-1/2 (241)	4 (102)	5-3/4 (146)	6-1/8 (193)	10 (254)	N/A	13-1/16 (332)	N/A	9-1/2 (241)	5-1/4 (181)	NOTE 8
2	2	7	8 (203)	3-1/2 (89)	4-1/2 (114)	5-1/8 (130)	9-13/16 (249)	N/A	12-7/8 (327)	N/A	8 (203)	5 (127)	NOTE 9
2	2	9A, B	9-1/2 (241)	4-1/2 (114)	5-7/8 (149)	6-3/8 (162)	10 (254)	N/A	13-1/16 (332)	12-7/8 (327)	9-1/2 (241)	5-1/4 (133)	NOTE 8
2	2	9C	9-1/2 (241)	4-1/2 (114)	5-7/8 (149)	6-3/8 (162)	9-9/16 (244)	10-9/16 (289)	12-5/8 (321)	13-7/16 (341)	9-1/2 (241)	5-1/4 (133)	NOTE 9
2	2	12	12 (305)	5 (127)	7-5/8 (194)	8 (203)	10-1/8 (257)	11-1/8 (283)	N/A	14 (356)	12 (605)	5-1/4 (133)	NOTE 8
2-1/2	2-1/2	7	9 (229)	3-1/2 (89)	4-3/4 (121)	5-1/2 (140)	10-9/16 (268)	11-9/16 (294)	13-5/8 (346)	14-7/16 (367)	9 (229)	5-5/8 (143)	NOTE 10
2-1/2	2-1/2	9	10 (254)	4 (102)	5-7/8 (149)	6-5/8 (168)	10-1/2 (267)	11-1/2 (292)	13-9/16 (344)	14-3/8 (365)	10 (254)	5-5/8 (143)	NOTE 10
3	3	7A, B	9-1/2 (241)	5 (127)	5-3/16 (132)	6-1/8 (193)	11-5/8 (295)	12-5/8 (321)	14-11/16 (373)	15-1/2 (394)	9-1/2 (241)	6-1/4 (159)	NOTE 10
3	3	9A	11 (279)	4-1/2 (114)	6 (152)	6-3/4 (171)	11-3/8 (289)	12-3/8 (314)	14-7/16 (367)	15-1/4 (387)	11 (279)	6-1/4 (159)	NOTE 10
3	3	9B	11 (279)	5 (127)	6-1/4 (159)	7-1/8 (181)	11-1/2 (292)	12-1/2 (318)	14-9/16 (370)	15-3/8 (391)	11 (279)	6-1/2 (165)	NOTE 8
3	4	9	11 (279)	4-1/2 (114)	5-3/4 (146)	6-1/2 (165)	10-7/8 (276)	11-7/8 (302)	13-15/16 (354)	14-3/4 (375)	11 (279)	5-7/8 (149)	NOTE 10
3	3	12	14 (356)	5 (127)	7-11/16 (195)	8-1/4 (210)	11-1/2 (292)	12-1/2 (318)	N/A	15-3/8 (391)	12 (305)	6-1/2 (165)	NOTE 8
4	4	7A, B	11 (279)	6 (152)	5-9/16 (141)	7-5/16 (186)	12-3/4 (324)	13-3/4 (349)	15-13/16 (402)	16-5/8 (422)	11 (279)	7-1/4 (184)	NOTE 10
4	4	9A, B	11 (279)	6 (152)	6-3/16 (157)	7-5/16 (186)	12-3/8 (314)	13-3/8 (340)	15-7/16 (392)	16-1/4 (413)	11 (279)	7-1/4 (184)	NOTE 8

NOTES:

- All dimensions in inches and (mm).
- Dimensions may vary ± 1/4" (6).
- Not for construction purposes unless certified.
- N/A = not applicable.
- Conduit box is shown in approximate location. Dimensions are not specified as they vary with each motor manufacturer.
- Suction and discharge flanges - 125# ANSI Standard flat face.
- Dimension BW is clearance required for servicing.
- Normally not tapped. Optionally available [4] 5/8" UNC taps matching 4"-125# flange drilling (7.5" bolt circle).
- Tapped [4] 5/8" UNC taps matching 2"-125# flange (4.75" bolt circle).
- Tapped [4] 5/8" UNC taps matching 3"-125# flange (6.0" bolt circle).
- Tapped [4] 5/8" UNC taps matching 4"-125# flange (7.5" bolt circle).
- Tapped [4] 3/4" UNC taps matching 6"-125# flange (9.5" bolt circle).

JM and JP Motor Frames



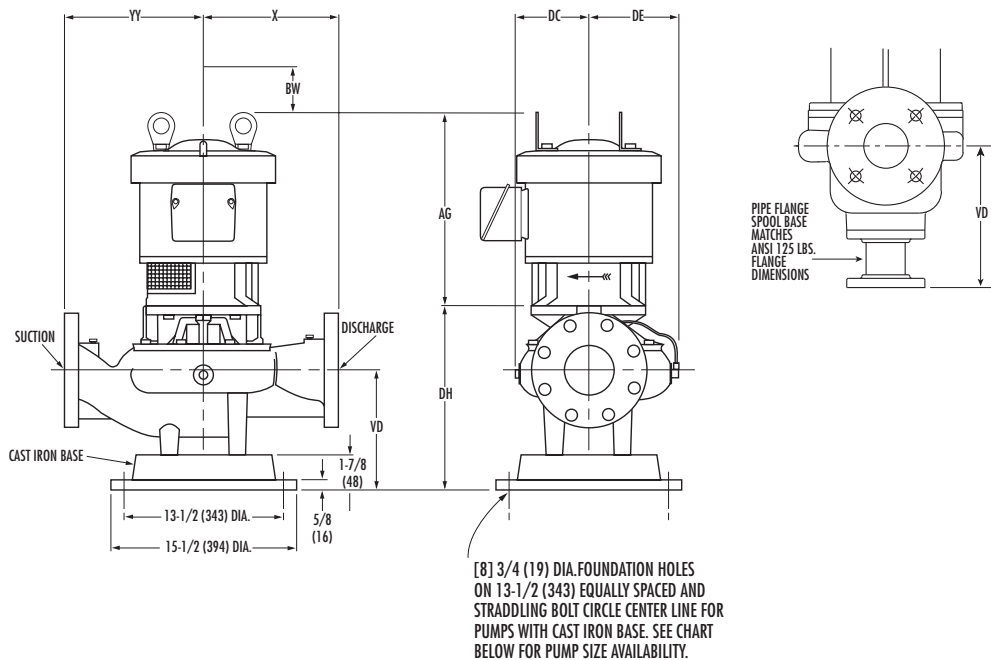
FRAME	AG APPROX.	
	O.D.P.	T.E.F.C. EXP. PR.
143	10	12
145	11	13
182	12	14
184	15	17
213	17	19
215	17	19
254	21	23
256	21	23
284	22	24
286	22	24
324	24	26
326	24	26
364TCZ	26	27
365TCZ	26	27
404TCZ	30	31
405TCZ	30	31
444TCZ	32	33
445TCZ	32	33

PUMP SIZE							DH(JM)			DH(JP)				CASING FEET TAPPING
DISCHARGE	SUCTION	CASE BORE	X	BW (MIN)	DC	DE	143JM THRU 215JM	254JM THRU 326JM	3645TCZ THRU 445TCZ	143JP THRU 184JP	213JP THRU 326JP	YY	VD	
4	5	9	11 (279)	4-1/2 (114)	6 (152)	7-1/8 (181)	12-1/8 (308)	13-1/8 (333)	—	15-3/16 (386)	15-3/4 (400)	11 (279)	7 (178)	NOTE 10
4	4	11	13 (330)	5 (127)	7-1/8 (181)	8-1/4 (210)	12-13/16 (325)	13-13/16 (351)	—	—	16-1/2 (419)	13 (330)	7-5/8 (194)	NOTE 11
4	4	12	13 (330)	4-1/2 (114)	7-7/8 (200)	8-3/4 (222)	12-1/4 (311)	13-1/4 (337)	—	—	15-7/8 (403)	13 (330)	7 (178)	NOTE 11
5	5	9	14 (356)	4-3/4 (121)	7-1/8 (181)	8-1/2 (216)	13 (330)	14 (356)	—	16-1/16 (408)	16-7/8 (429)	14 (356)	7-5/8 (194)	NOTE 11
5	5	11	14 (356)	4-1/2 (114)	7-3/8 (187)	8-7/8 (225)	14 (356)	15 (381)	—	—	17-5/8 (448)	14 (356)	8-5/8 (219)	NOTE 11
5	5	12	15 (381)	4-3/4 (121)	8-1/4 (210)	9-1/2 (241)	13-1/2 (343)	14-1/2 (368)	—	—	17-1/8 (435)	15 (381)	8 (203)	NOTE 11
6	6	9	15 (381)	5-1/4 (133)	7 (178)	9 (229)	13-1/2 (343)	14-1/2 (368)	—	16-9/16 (421)	17-3/8 (441)	15 (381)	8 (203)	NOTE 11
6	6	11	15 (381)	6 (152)	8 (203)	10 (254)	15 (381)	16 (406)	—	—	18-5/8 (473)	15 (381)	9-1/4 (235)	NOTE 11
6	6	12	15 (381)	5-1/2 (140)	8-3/8 (213)	10 (254)	14-1/2 (368)	15-1/2 (387)	—	—	18-1/8 (460)	15 (381)	8-3/4 (222)	NOTE 11
8	8	11	18 (457)	6 (152)	8-3/4 (222)	10-7/8 (276)	15-5/8 (397)	16-5/8 (422)	—	—	19-1/4 (489)	18 (457)	9-5/8 (244)	NOTE 11
8	8	12	18 (457)	6 (152)	8-3/4 (222)	10-7/8 (276)	15-5/8 (397)	16-5/8 (422)	—	—	19-1/4 (489)	18 (457)	9-5/8 (244)	NOTE 11
8	8	15	22-1/2 (572)	13 (330)	10-3/8 (263)	12-15/16 (328)	—	—	20-7/8 (530)	—	—	22-1/2 (572)	12-1/8 (308)	NOTE 12
10	10	15	25 (635)	13 (330)	11 (279)	14-3/8 (365)	—	—	22-1/4 (565)	—	—	25 (635)	13-9/16 (344)	NOTE 12

NOTES:

- All dimensions in inches and (mm).
- Dimensions may vary ± 1/4" (6).
- Not for construction purposes unless certified.
- N/A = not applicable.
- Conduit box is shown in approximate location. Dimensions are not specified as they vary with each motor manufacturer.
- Suction and discharge flanges - 125# ANSI Standard flat face.
- Dimension BW is clearance required for servicing.
- Normally not tapped. Optionally available [4] 5/8" UNC taps matching 4"-125# flange drilling (7.5" bolt circle).
- Tapped [4] 5/8" UNC taps matching 2"-125# flange (4.75" bolt circle).
- Tapped [4] 5/8" UNC taps matching 3"-125# flange (6.0" bolt circle).
- Tapped [4] 5/8" UNC taps matching 4"-125# flange (7.5" bolt circle).
- Tapped [4] 3/4" UNC taps matching 6"-125# flange (9.5" bolt circle).

AURORA® MODEL 382A PUMPS
 ON OPTIONAL BASES
 MOTOR FRAME
 143JM THRU 326JM
 WITH SPLIT SEAL OPTION (143JP/326JP)



JM and JP Motor Frames

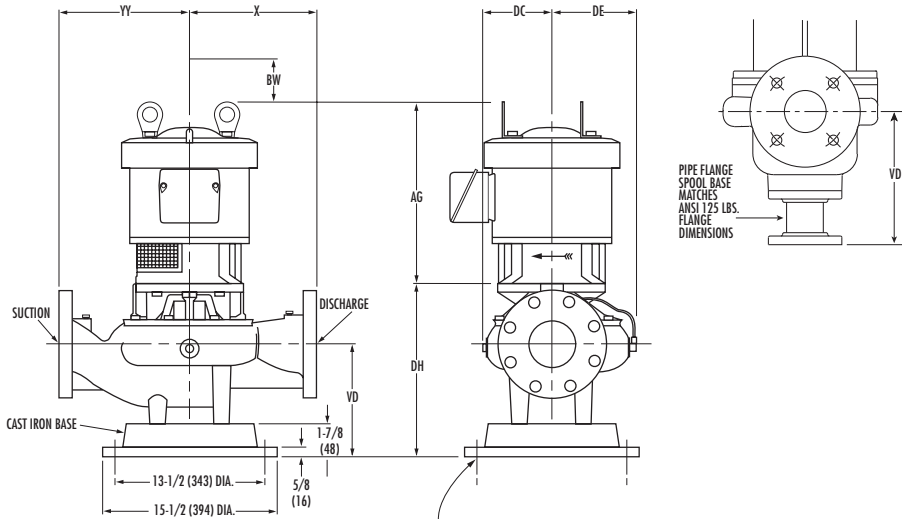
FRAME	AG APPROX.	
	O.D.P.	T.E.F.C. EXP. PR.
143	10	12
145	11	13
182	12	14
184	15	17
213	17	19
215	17	19
254	21	23
256	21	23
284	22	24
286	22	24
324	24	26
326	24	26

PUMP SIZE			X	BW (MIN)	DC	DE	DH(JM)		DH(JP)		YY	VD	BASE OR SUPPORT TYPE
DISCHARGE	SUCTION	CASE BORE					143JM THRU 215JM	254JM THRU 326JM	143JP THRU 184JP	213JP THRU 326JP			
1-1/2	1-1/2	9B	9-1/2 (241)	4 (102)	5-3/4 (146)	6-1/8 (193)	11-7/8 (302)	N/A	14-15/16 (379)	N/A	9-1/2 (241)	7-1/8 (181)	CAST IRON BASE
2	2	7	8 (203)	3-1/2 (89)	4-1/2 (114)	5-1/8 (130)	13-13/16 (351)	N/A	16-7/8 (429)	N/A	8 (203)	9 (229)	2" PIPE FLANGE
2	2	9A, B	9-1/2 (241)	4-1/2 (114)	5-7/8 (149)	6-3/8 (162)	11-7/8 (302)	N/A	14-15/16 (379)	15-15/16 (405)	9-1/2 (241)	7-1/8 (181)	CAST IRON BASE
2	2	9C	9-1/2 (241)	4-1/2 (114)	5-7/8 (149)	6-3/8 (162)	13-9/16 (394)	14-9/16 (370)	16-5/8 (422)	17-5/8 (448)	9-1/2 (241)	9-1/4 (235)	2" PIPE FLANGE
2	2	12	12 (305)	5 (127)	7-5/8 (194)	8 (203)	12 (305)	13 (330)	N/A	16-1/16 (408)	12 (605)	7-1/8 (181)	CAST IRON BASE
2-1/2	2-1/2	7	9 (229)	3-1/2 (89)	4-3/4 (121)	5-1/2 (140)	14-9/16 (370)	15-9/16 (395)	17-5/8 (448)	18-5/8 (473)	9 (229)	9-5/8 (244)	3" PIPE FLANGE
2-1/2	2-1/2	9	10 (254)	4 (102)	5-7/8 (149)	6-5/8 (168)	14-1/2 (368)	15-1/2 (394)	17-9/16 (446)	18-9/16 (471)	10 (254)	9-5/8 (244)	3" PIPE FLANGE
3	3	7A, B	9-1/2 (241)	5 (127)	5-3/16 (132)	6-1/8 (193)	15-5/8 (397)	16-5/8 (422)	16-7/16 (418)	17-7/16 (443)	9-1/2 (241)	10-1/4 (260)	3" PIPE FLANGE
3	3	9A	11 (279)	4-1/2 (114)	6 (152)	6-3/4 (171)	15-3/8 (391)	16-3/8 (416)	18-7/16 (468)	19-7/16 (494)	11 (279)	10-1/4 (260)	3" PIPE FLANGE
3	3	9B	11 (279)	5 (127)	6-1/4 (159)	7-1/8 (181)	13-3/8 (340)	14-3/8 (365)	16-7/16 (418)	17-7/16 (443)	11 (279)	8-1/8 (206)	CAST IRON BASE
3	4	9	11 (279)	4-1/2 (114)	5-3/4 (146)	6-1/2 (165)	14-7/8 (378)	15-7/8 (403)	17-15/16 (456)	18-15/16 (481)	11 (279)	9-7/8 (251)	3" PIPE FLANGE
3	3	12	14 (356)	5 (127)	7-11/16 (195)	8-1/4 (210)	13-3/8 (340)	14-3/8 (365)	N/A	17-7/16 (443)	12 (305)	8-1/8 (206)	CAST IRON BASE
4	4	7A, B	11 (279)	6 (152)	5-9/16 (141)	7-5/16 (186)	16-3/4 (425)	17-3/4 (451)	19-13/16 (503)	20-13/16 (529)	11 (279)	11-1/4 (286)	3" PIPE FLANGE
4	4	9A, B	11 (279)	6 (152)	6-3/16 (157)	7-5/16 (186)	14-1/4 (362)	15-1/4 (387)	17-5/16 (440)	18-5/16 (462)	11 (279)	9-1/8 (232)	CAST IRON BASE

NOTES:

- All dimensions in inches and (mm).
- Dimensions may vary ± 1/4" (6).
- Not for construction purposes unless certified.
- N/A = not applicable.
- Conduit box is shown in approximate location. Dimensions are not specified as they vary with each motor manufacturer.
- Suction and discharge flanges - 125# ANSI Standard flat face.
- Dimension BW is clearance required for servicing.

AURORA® MODEL 382A PUMPS
ON OPTIONAL BASES
MOTOR FRAME
143JM THRU 445TCZ
WITH SPLIT SEAL OPTION (143JP/326JP)



[8] 3/4 (19) DIA. FOUNDATION HOLES ON 13-1/2 (343) EQUALLY SPACED AND STRADDLING BOLT CIRCLE CENTER LINE FOR PUMPS WITH CAST IRON BASE. SEE CHART BELOW FOR PUMP SIZE AVAILABILITY.

JM and JP Motor Frames

FRAME	AG APPROX.	
	O.D.P.	T.E.F.C. EXP. PR.
143	10	12
145	11	13
182	12	14
184	15	17
213	17	19
215	17	19
254	21	23
256	21	23
284	22	24
286	22	24
324	24	26
326	24	26
364TCZ	26	27
365TCZ	26	27
404TCZ	30	31
405TCZ	30	31
444TCZ	32	33
445TCZ	32	33

PUMP SIZE			X	BW (MIN)	DC	DE	DH(JM)			DH(JP)		YY	VD	BASE OR SUPPORT TYPE
DISCHARGE	SUCTION	CASE BORE					143JM THRU 215JM	254JM THRU 326JM	365TCZ THRU 445TCZ	143JP THRU 184JP	213JP THRU 326JP			
4	5	9	11 (279)	4-1/2 (114)	6 (152)	7-1/8 (181)	16-1/8 (410)	17-1/8 (435)	-	19 (483)	20 (508)	11 (279)	11 (279)	3" PIPE FLANGE
4	4	11	13 (330)	5 (127)	7-1/8 (181)	8-1/4 (210)	17-13/16 (452)	18-13/16 (478)	-	-	21-11/16 (551)	13 (330)	12-5/8 (321)	4" PIPE FLANGE
4	4	12	13 (330)	4-1/2 (114)	7-7/8 (220)	8-3/4 (222)	17-1/4 (438)	18-1/4 (463)	-	-	21-1/8 (537)	13 (330)	12 (305)	4" PIPE FLANGE
5	5	9	14 (356)	4-3/4 (121)	7-1/8 (181)	8-1/2 (216)	18 (457)	19 (482)	-	21-1/16 (535)	21-7/8 (556)	14 (356)	12-5/8 (321)	4" PIPE FLANGE
5	5	11	14 (356)	4-1/2 (114)	7-3/8 (187)	8-7/8 (225)	19 (482)	20 (508)	-	-	22-7/8 (581)	14 (356)	13-5/8 (346)	4" PIPE FLANGE
5	5	12	15 (381)	4-3/4 (121)	8-1/4 (210)	9-1/2 (241)	18-1/2 (470)	19-1/2 (495)	-	-	22-3/8 (568)	15 (381)	13 (330)	4" PIPE FLANGE
6	6	9	15 (381)	5-1/4 (133)	7 (178)	9 (229)	18-1/2 (470)	19-1/2 (495)	-	21-9/16 (548)	22-3/8 (568)	15 (381)	13 (330)	4" PIPE FLANGE
6	6	11	15 (381)	6 (152)	8 (203)	10 (254)	20 (508)	21 (533)	-	-	23-5/8 (600)	15 (381)	14-1/4 (362)	4" PIPE FLANGE
6	6	12	15 (381)	5-1/2 (140)	8-3/8 (213)	10 (254)	19-1/2 (495)	20-1/2 (521)	-	-	23-1/8 (587)	15 (381)	13-3/4 (349)	4" PIPE FLANGE
8	8	11	18 (457)	6 (152)	8-3/4 (222)	10-7/8 (276)	20-5/8 (524)	21-5/8 (549)	-	-	24-1/4 (616)	18 (457)	14-5/8 (371)	4" PIPE FLANGE
8	8	12	18 (457)	6 (152)	8-3/4 (222)	10-7/8 (276)	20-5/8 (524)	21-5/8 (549)	-	-	24-1/4 (616)	18 (457)	14-5/8 (371)	4" PIPE FLANGE
8	8	15	22-1/2 (572)	13 (330)	10.34 (263)	12.91 (328)	-	-	26-7/8 (683)	-	-	22-1/2 (572)	18-1/8 (460)	6" PIPE FLANGE
10	10	15	25 (635)	13 (330)	11 (279)	14.38 (365)	-	-	28-1/4 (718)	-	-	25 (635)	19-9/16 (497)	6" PIPE FLANGE

NOTES:

- All dimensions in inches and (mm).
- Dimensions may vary ± 1/4" (6).
- Not for construction purposes unless certified.
- N/A = not applicable.
- Conduit box is shown in approximate location.

Dimensions are not specified as they vary with each motor manufacturer.
Suction and discharge flanges - 125# ANSI Standard flat face.
Dimension BW is clearance required for servicing.

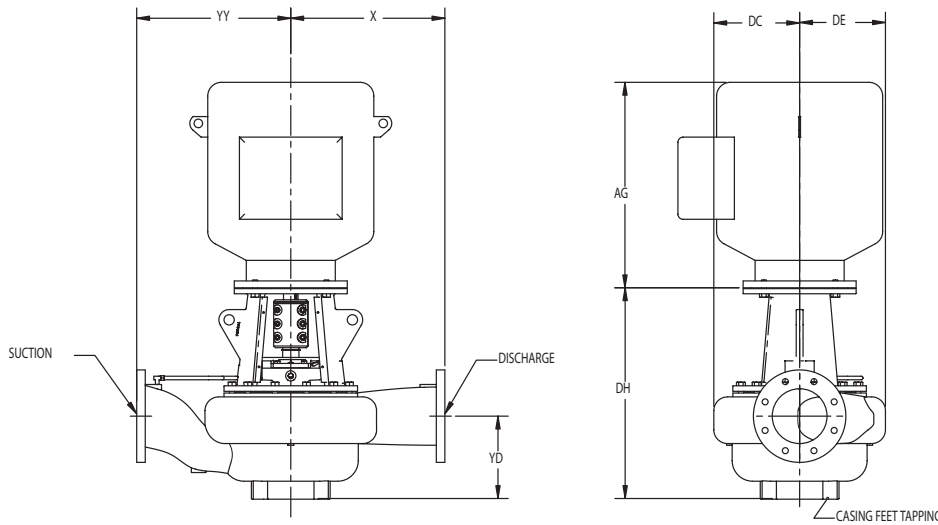
AURORA® MODEL 382A-SC PUMPS

MOTOR FRAME

Date **July 2013**

143 HP THRU 445 HP

Supersedes Section 380 Page 205
Dated December 2005



HP DIMENSION TABLE

FRAME	P	AG
143	8 (203)	11 (279)
145	8 (203)	12 (305)
182	10 (254)	14 (356)
184	10 (254)	15 (381)
213	11 (279)	16 (406)
215	11 (279)	17 (432)
254	13 (330)	20 (508)
256	13 (330)	21 (534)
284	16 (406)	22 (559)
286	16 (406)	23 (584)
324	18 (457)	25 (635)
326	18 (457)	26 (660)
364	21 (534)	25 (635)
365	21 (534)	25 (635)
404	22 (559)	28 (711)
405	22 (559)	28 (711)
444	24 (610)	32 (813)
445	24 (610)	32 (813)

PUMP SIZE			X	DC	DE	DH		YY	VD	CASING FEET TAPPING
DISCHARGE	SUCTION	CASE BORE				143 HP THRU 286 HP	324 HP THRU 445 HP			
1-1/2	1-1/2	9B	9-1/2 (241)	5-3/4 (146)	6-1/8 (156)	17-7/16 (443)	-	9-1/2 (241)	5-1/4 (133)	NOTE 7
2	2	7	8 (203)	4-1/2 (114)	5-1/8 (130)	17-1/4 (438)	-	8 (203)	5 (127)	NOTE 8
2	2	9A, B	9-1/2 (241)	5-7/8 (149)	6-3/8 (162)	17-7/16 (443)	-	9-1/2 (241)	5-1/4 (133)	NOTE 7
2	2	9C	9-1/2 (241)	5-7/8 (149)	6-3/8 (162)	17 (432)	20-3/4 (527)	9-1/2 (241)	5-1/4 (133)	NOTE 8
2	2	12	12 (305)	7-5/8 (194)	8 (203)	19-7/16 (494)	21-3/16 (538)	12 (305)	5-1/4 (133)	NOTE 7
2-1/2	2-1/2	7	9 (229)	4-3/4 (121)	5-1/2 (140)	18 (457)	18 (457)	9 (229)	5-5/8 (143)	NOTE 9
2-1/2	2-1/2	9	10 (254)	5-7/8 (149)	6-5/8 (168)	17-15/16 (456)	21-11/16 (551)	10 (254)	5-5/8 (143)	NOTE 9
3	3	7A, B	9-1/2 (241)	5-3/16 (132)	6-1/8 (156)	19-1/16 (484)	19-1/16 (484)	9-1/2 (241)	6-1/4 (159)	NOTE 9
3	3	9A	11 (279)	6 (152)	6-3/4 (171)	18-13/16 (458)	22-9/16 (573)	11 (279)	6-1/4 (159)	NOTE 9
3	3	9B	11 (279)	6-1/4 (159)	7-1/8 (181)	18-15/16 (481)	22-11/16 (576)	11 (279)	6-1/2 (165)	NOTE 7
3	4	9	11 (279)	5-3/4 (146)	6-1/2 (165)	18-5/16 (465)	22-1/16 (560)	11 (279)	5-7/8 (149)	NOTE 9
3	3	12	14 (356)	7-11/16 (195)	8-1/4 (210)	20-13/16 (529)	22-9/16 (573)	12 (305)	6-1/2 (165)	NOTE 7
4	4	7A, B	11 (279)	5-9/16 (141)	7-5/16 (186)	20-3/16 (513)	20-3/16 (513)	11 (279)	7-1/4 (184)	NOTE 9
4	4	9A, B	11 (279)	6-3/16 (157)	7-5/16 (186)	19-13/16 (503)	23-9/16 (598)	11 (279)	7-1/4 (184)	NOTE 7

NOTES:

- All dimensions in inches and (mm).
- Dimensions may vary ± 1/4" (6).
- Not for construction purposes unless certified.
- N/A = not applicable.
- Conduit box is shown in approximate location. Dimensions are not specified as they vary with each motor manufacturer.
- Suction and discharge flanges - 125# ANSI Standard flat face.
- Normally not tapped. Optionally available [4] 5/8" UNC taps matching 4"-125# flange drilling (7.5" bolt circle).
- Tapped [4] 5/8" UNC taps matching 2"-125# flange (4.75" bolt circle).
- Tapped [4] 5/8" UNC taps matching 3"-125# flange (6.0" bolt circle).
- Tapped [4] 5/8" UNC taps matching 4"-125# flange (7.5" bolt circle).
- Tapped [4] 3/4" UNC taps matching 6"-125# flange (9.5" bolt circle).

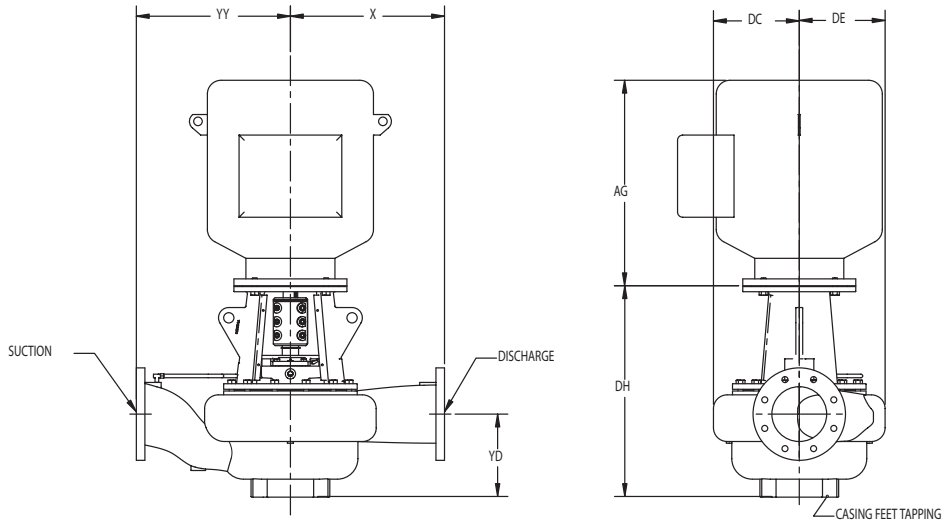
AURORA® MODEL 382A-SC PUMPS

MOTOR FRAME

143 HP THRU 445 HP

HP DIMENSION TABLE

FRAME	P	AG
143	8 (203)	11 (279)
145	8 (203)	12 (305)
182	10 (254)	14 (356)
184	10 (254)	15 (381)
213	11 (279)	16 (406)
215	11 (279)	17 (432)
254	13 (330)	20 (508)
256	13 (330)	21 (534)
284	16 (406)	22 (559)
286	16 (406)	23 (584)
324	18 (457)	25 (635)
326	18 (457)	26 (660)
364	21 (534)	25 (635)
365	21 (534)	25 (635)
404	22 (559)	28 (711)
405	22 (559)	28 (711)
444	24 (610)	32 (813)
445	24 (610)	32 (813)



PUMP SIZE			DH								
DISCHARGE	SUCTION	CASE BORE	X	DC	DE	143 HP	324 HP	YY	VD	CASING FEET TAPPING	
						THRU 286 HP	THRU 445 HP				
4	5	9	11 (279)	6 (152)	7-1/8 (181)	19-9/16 (497)	23-5/16 (592)	11 (279)	7 (178)	NOTE 9	
4	4	11	13 (330)	7-1/8 (181)	8-1/4 (210)	22-5/16 (567)	24-1/16 (611)	13 (330)	7-5/8 (194)	NOTE 10	
4	4	12	13 (330)	7-7/8 (200)	8-3/4 (222)	21-9/16 (548)	23-5/16 (592)	13 (330)	7 (178)	NOTE 10	
5	5	9	14 (356)	7-1/8 (181)	8-1/2 (216)	20-7/16 (519)	24-3/16 (614)	14 (356)	7-5/8 (194)	NOTE 10	
5	5	11	14 (356)	7-3/8 (187)	8-7/8 (225)	23-1/2 (597)	25-1/4 (641)	14 (356)	8-5/8 (219)	NOTE 10	
5	5	12	15 (381)	8-1/4 (210)	9-1/2 (241)	22-13/16 (579)	24-9/16 (624)	15 (381)	8 (203)	NOTE 10	
6	6	9	15 (381)	7 (178)	9 (229)	20-15/16 (532)	24-11/16 (627)	15 (381)	8 (203)	NOTE 10	
6	6	11	15 (381)	8 (203)	10 (254)	24-1/2 (622)	26-1/4 (667)	15 (381)	9-1/4 (235)	NOTE 10	
6	6	12	15 (381)	8-3/8 (213)	10 (254)	23-13/16 (605)	25-9/16 (649)	15 (381)	8-3/4 (222)	NOTE 10	
8	8	11	18 (457)	8-3/4 (222)	10-7/8 (276)	25-1/8 (638)	26-7/8 (683)	18 (457)	9-5/8 (244)	NOTE 10	
8	8	12	18 (457)	8-3/4 (222)	10-7/8 (276)	24-15/16 (633)	26-11/16 (678)	18 (457)	9-5/8 (244)	NOTE 10	
8	8	15	22-1/2 (572)	10-3/8 (263)	12-15/16 (328)	31-1/8 (791)	31-1/8 (791)	22-1/2 (572)	12-1/8 (308)	NOTE 11	
10	10	15	25 (635)	11 (279)	14-3/8 (365)	32-1/2 (826)	32-1/2 (826)	25 (635)	13-9/16 (344)	NOTE 11	

NOTES:

- All dimensions in inches and (mm).
- Dimensions may vary $\pm 1/4"$ (6).
- Not for construction purposes unless certified.
- N/A = not applicable.
- Conduit box is shown in approximate location. Dimensions are not specified as they vary with each motor manufacturer.
- Suction and discharge flanges - 125# ANSI Standard flat face. Normally not tapped. Optionally available [4] 5/8" UNC taps matching 4"-125# flange drilling (7.5" bolt circle).
- Tapped [4] 5/8" UNC taps matching 2"-125# flange (4.75" bolt circle).
- Tapped [4] 5/8" UNC taps matching 3"-125# flange (6.0" bolt circle).
- Tapped [4] 5/8" UNC taps matching 4"-125# flange (7.5" bolt circle).
- Tapped [4] 3/4" UNC taps matching 6"-125# flange (9.5" bolt circle).

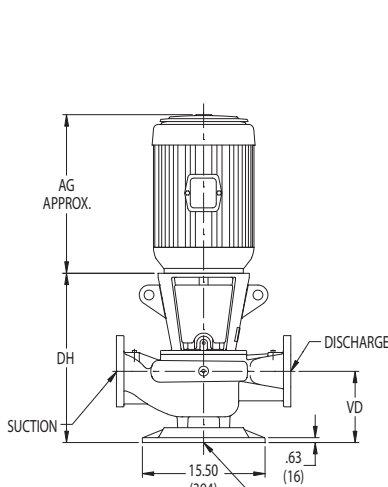
MOTOR FRAME

Date **JULY 2013**

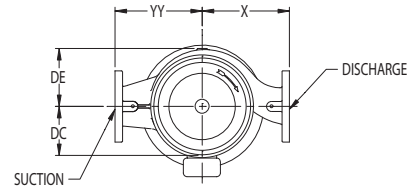
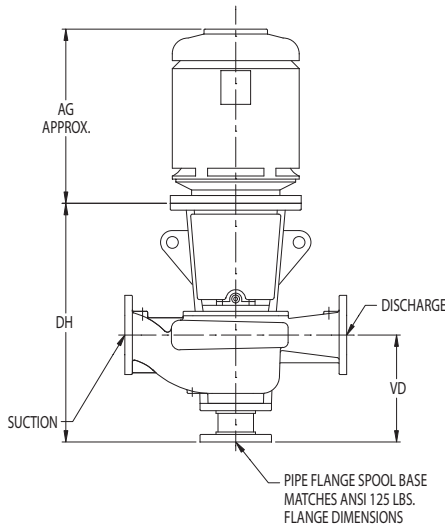
143 HP THRU 445 HP

Supersedes Section 380 Page 207

Dated May 2011



[8] 3/4 (19) DIA. FOUNDATION HOLES ON 13-1/2 (343) EQUALLY SPACED AND STRADDLING BOLT CIRCLE CENTER LINE FOR PUMPS WITH CAST IRON BASE. SEE CHART BELOW FOR PUMP SIZE AVAILABILITY.



HP DIMENSION TABLE

FRAME	P	AG
143	8 (203)	11 (279)
145	8 (203)	12 (305)
182	10 (254)	14 (356)
184	10 (254)	15 (381)
213	11 (279)	16 (406)
215	11 (279)	17 (432)
254	13 (330)	20 (508)
256	13 (330)	21 (534)
284	16 (406)	22 (559)
286	16 (406)	23 (584)
324	18 (457)	25 (635)
326	18 (457)	26 (660)
364	21 (534)	25 (635)
365	21 (534)	25 (635)
404	22 (559)	28 (711)
405	22 (559)	28 (711)
444	24 (610)	32 (813)
445	24 (610)	32 (813)

PUMP SIZE			DH						YY	VD	BASE OR SUPPORT TYPE
DISCHARGE	SUCTION	CASE BORE	X	DC	DE	143 HP THRU 286 HP	324 HP THRU 445 HP				
1-1/2	1-1/2	9B	9-1/2 (241)	5-3/4 (146)	6-1/8 (156)	19-5/16 (491)	-	9-1/2 (241)	7-1/8 (181)	CAST IRON BASE	
2	2	7	8 (203)	4-1/2 (114)	5-1/8 (130)	21-1/4 (540)	-	8 (203)	9 (229)	2" PIPE FLANGE	
2	2	9A, B	9-1/2 (241)	5-7/8 (149)	6-3/8 (162)	19-5/16 (491)	-	9-1/2 (241)	7-1/8 (181)	CAST IRON BASE	
2	2	9C	9-1/2 (241)	5-7/8 (149)	6-3/8 (162)	21 (533)	24-3/4 (629)	9-1/2 (241)	9-1/4 (235)	2" PIPE FLANGE	
2	2	12	12 (305)	7-5/8 (194)	8 (203)	21-5/16 (541)	23-1/16 (586)	12 (305)	7-1/8 (181)	CAST IRON BASE	
2-1/2	2-1/2	7	9 (229)	4-3/4 (121)	5-1/2 (140)	22 (559)	22 (559)	9 (229)	9-5/8 (244)	3" PIPE FLANGE	
2-1/2	2-1/2	9	10 (254)	5-7/8 (149)	6-5/8 (168)	21-15/16 (557)	25-11/16 (652)	10 (254)	9-5/8 (244)	3" PIPE FLANGE	
3	3	7A, B	9-1/2 (241)	5-3/16 (132)	6-1/8 (156)	23-1/16 (586)	23-1/16 (586)	9-1/2 (241)	10-1/4 (260)	3" PIPE FLANGE	
3	3	9A	11 (279)	6 (152)	6-3/4 (171)	22-13/16 (579)	26-9/16 (675)	11 (279)	10-1/4 (260)	3" PIPE FLANGE	
3	3	9B	11 (279)	6-1/4 (159)	7-1/8 (181)	20-13/16 (529)	24-9/16 (624)	11 (279)	8-1/8 (206)	CAST IRON BASE	
3	4	9	11 (279)	5-3/4 (146)	6-1/2 (165)	22-5/16 (567)	26-1/16 (662)	11 (279)	9-7/8 (251)	3" PIPE FLANGE	
3	3	12	14 (356)	7-11/16 (195)	8-1/4 (210)	22-11/16 (576)	24-7/16 (621)	12 (305)	8-1/8 (206)	CAST IRON BASE	
4	4	7A, B	11 (279)	5-9/16 (141)	7-5/16 (186)	24-3/16 (614)	24-3/16 (614)	11 (279)	11-1/4 (286)	3" PIPE FLANGE	
4	4	9A, B	11 (279)	6-3/16 (157)	7-5/16 (186)	21-11/16 (576)	25-7/16 (646)	11 (279)	9-1/8 (232)	CAST IRON BASE	

NOTES:

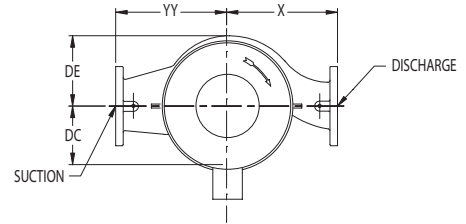
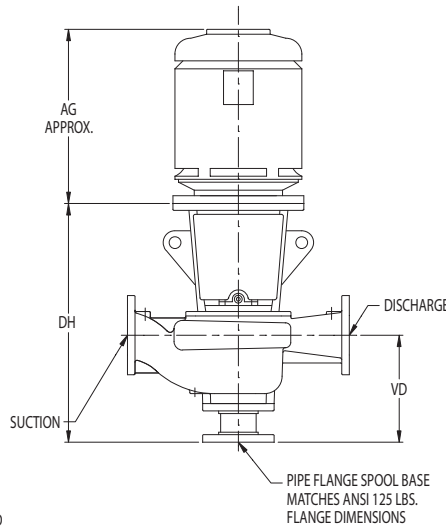
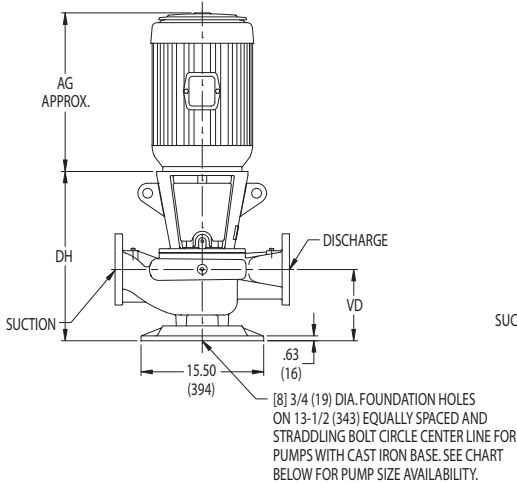
1. All dimensions in inches and (mm).
2. Dimensions may vary ± 1/4" (6).
3. Not for construction purposes unless certified.
4. N/A = not applicable.
5. Conduit box is shown in approximate location. Dimensions are not specified as they vary with each motor manufacturer.
6. Suction and discharge flanges - 125# ANSI Standard flat face.

MOTOR FRAME

143 HP THRU 445 HP

Supersedes Section 380 Page 208

Dated May 2011



HP DIMENSION TABLE

FRAME	P	AG
143	8 (203)	11 (279)
145	8 (203)	12 (305)
182	10 (254)	14 (356)
184	10 (254)	15 (381)
213	11 (279)	16 (406)
215	11 (279)	17 (432)
254	13 (330)	20 (508)
256	13 (330)	21 (534)
284	16 (406)	22 (559)
286	16 (406)	23 (584)
324	18 (457)	25 (635)
326	18 (457)	26 (660)
364	21 (534)	25 (635)
365	21 (534)	25 (635)
404	22 (559)	28 (711)
405	22 (559)	28 (711)
444	24 (610)	32 (813)
445	24 (610)	32 (813)

PUMP SIZE			DH							CASING FEET TAPPING
DISCHARGE	SUCTION	CASE BORE	X	DC	DE	143 HP THRU 286 HP	324 HP THRU 445 HP	YY	VD	
4	5	9	11 (279)	6 (152)	7-1/8 (181)	23-9/16 (598)	27-5/16 (694)	11 (279)	11 (279)	3" PIPE FLANGE
4	4	11	13 (330)	7-1/8 (181)	8-1/4 (210)	27-5/16 (694)	29-1/16 (738)	13 (330)	12-5/8 (321)	4" PIPE FLANGE
4	4	12	13 (330)	7-7/8 (200)	8-3/4 (222)	26-9/16 (675)	28-5/16 (719)	13 (330)	12 (305)	4" PIPE FLANGE
5	5	9	14 (356)	7-1/8 (181)	8-1/2 (216)	25-7/16 (646)	29-3/16 (741)	14 (356)	12-5/8 (321)	4" PIPE FLANGE
5	5	11	14 (356)	7-3/8 (187)	8-7/8 (225)	28-1/2 (724)	30-1/4 (768)	14 (356)	13-5/8 (346)	4" PIPE FLANGE
5	5	12	15 (381)	8-1/4 (210)	9-1/2 (241)	27-13/16 (706)	29-9/16 (751)	15 (381)	13 (330)	4" PIPE FLANGE
6	6	9	15 (381)	7 (178)	9 (229)	25-15/16 (659)	29-11/16 (754)	15 (381)	13 (330)	4" PIPE FLANGE
6	6	11	15 (381)	8 (203)	10 (254)	29-1/2 (749)	31-1/4 (794)	15 (381)	14-1/4 (362)	4" PIPE FLANGE
6	6	12	15 (381)	8-3/8 (213)	10 (254)	28-13/16 (732)	30-9/16 (776)	15 (381)	13-3/4 (349)	4" PIPE FLANGE
8	8	11	18 (457)	8-3/4 (222)	10-7/8 (276)	30-1/8 (765)	31-7/8 (810)	18 (457)	14-5/8 (371)	4" PIPE FLANGE
8	8	12	18 (457)	8-3/4 (222)	10-7/8 (276)	29-15/16 (760)	31-11/16 (805)	18 (457)	14-5/8 (371)	4" PIPE FLANGE
8	8	15	22-1/2 (572)	10.34 (263)	12.91 (328)	37-1/8 (943)	37-1/8 (943)	22-1/2 (572)	18-1/8 (460)	6" PIPE FLANGE
10	10	15	25 (635)	11 (279)	14.38 (365)	38-1/2 (978)	38-1/2 (978)	25 (635)	19-9/16 (497)	6" PIPE FLANGE

NOTES:

1. All dimensions in inches and (mm).
2. Dimensions may vary ± 1/4" (6).
3. Not for construction purposes unless certified.
4. N/A = not applicable.
5. Conduit box is shown in approximate location. Dimensions are not specified as they vary with each motor manufacturer.
6. Suction and discharge flanges - 125# ANSI Standard flat face.

AURORA® MODEL 382B-SC PUMPS

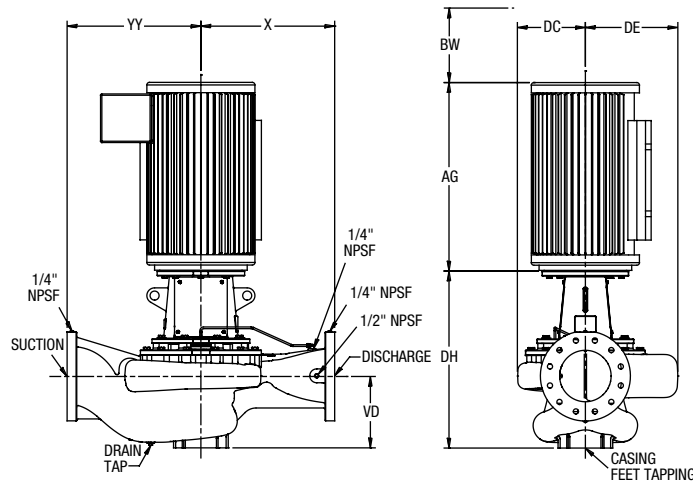
MOTOR FRAME 250 TC TO 440 TC SINGLE SUCTION PUMP – SPOOL BASE

Section **380** Page **209**

Date **AUGUST 2017**

Supersedes Section 380 Page 209

Dated June 2015



FRAME	256 TC	286 TC	324 TC	326 TC	364 TC	365 TC	404 TC	405 TC	444 TC	445 TC	447 TC	449 TC	
AG	ODP	22.00 (559)	23.00 (584)	23.00 (584)	23.00 (584)	25.00 (635)	25.00 (635)	28.00 (711)	28.00 (711)	33.00 (838)	35.00 (889)	38.00 (965)	40.00 (1016)
	TEFC	25.00 (635)	27.00 (686)	28.00 (711)	29.00 (737)	35.00 (889)	35.00 (889)	36.00 (914)	36.00 (914)	38.00 (965)	38.00 (965)	41.00 (1041)	49.00 (1245)

Pump Size	Frame	X	DC	DE	DH	YY	VD	BW		Pump Weight (Excluding motor)	Casing Feet Tapping	Drain Tap (NPSF)
								Minimum	Recommended			
8x8x13.5	250 TC	21.50 (546)	9.93 (252)	13.74 (349)	34.31 (871)	20.50 (521)	16.96 (430)	4.50 (114)	8.00 (203)	1389 (630)	6" Flange	1/2"
8x8x13.5	280 TC	21.50 (546)	9.93 (252)	13.74 (349)	34.31 (871)	20.50 (521)	16.96 (430)	5.00 (127)	8.00 (203)	1389 (630)	6" Flange	1/2"
8x8x13.5	320 TC	21.50 (546)	9.93 (252)	13.74 (349)	34.31 (871)	20.50 (521)	16.96 (430)	5.50 (140)	8.00 (203)	1391 (631)	6" Flange	1/2"
8x8x13.5	360 TC	21.50 (546)	9.93 (252)	13.74 (349)	39.34 (999)	20.50 (521)	16.96 (430)	6.00 (152)	8.00 (203)	1504 (682)	6" Flange	1/2"
8x8x13.5	400 TC	21.50 (546)	9.93 (252)	13.74 (349)	39.34 (999)	20.50 (521)	16.96 (430)	7.50 (191)	8.00 (203)	1498 (680)	6" Flange	1/2"
8x8x13.5	440 TC	21.50 (546)	9.93 (252)	13.74 (349)	39.34 (999)	20.50 (521)	16.96 (430)	8.50 (216)	9.00 (229)	1514 (687)	6" Flange	1/2"
10x10x13.5	250 TC	23.00 (584)	10.52 (267)	15.67 (398)	35.06 (891)	24.50 (622)	17.88 (454)	4.50 (114)	8.00 (203)	1696 (769)	6" Flange	1/2"
10x10x13.5	280 TC	23.00 (584)	10.52 (267)	15.67 (398)	35.06 (891)	24.50 (622)	17.88 (454)	5.00 (127)	8.00 (203)	1696 (769)	6" Flange	1/2"
10x10x13.5	320 TC	23.00 (584)	10.52 (267)	15.67 (398)	35.06 (891)	24.50 (622)	17.88 (454)	5.50 (140)	8.00 (203)	1698 (770)	6" Flange	1/2"
10x10x13.5	360 TC	23.00 (584)	10.52 (267)	15.67 (398)	40.09 (1018)	24.50 (622)	17.88 (454)	6.50 (165)	8.00 (203)	1813 (822)	6" Flange	1/2"
10x10x13.5	400 TC	23.00 (584)	10.52 (267)	15.67 (398)	40.09 (1018)	24.50 (622)	17.88 (454)	8.00 (203)	8.00 (203)	1807 (820)	6" Flange	1/2"
10x10x13.5	440 TC	23.00 (584)	10.52 (267)	15.67 (398)	40.09 (1018)	24.50 (622)	17.88 (454)	9.00 (229)	9.00 (229)	1823 (827)	6" Flange	1/2"

NOTES:

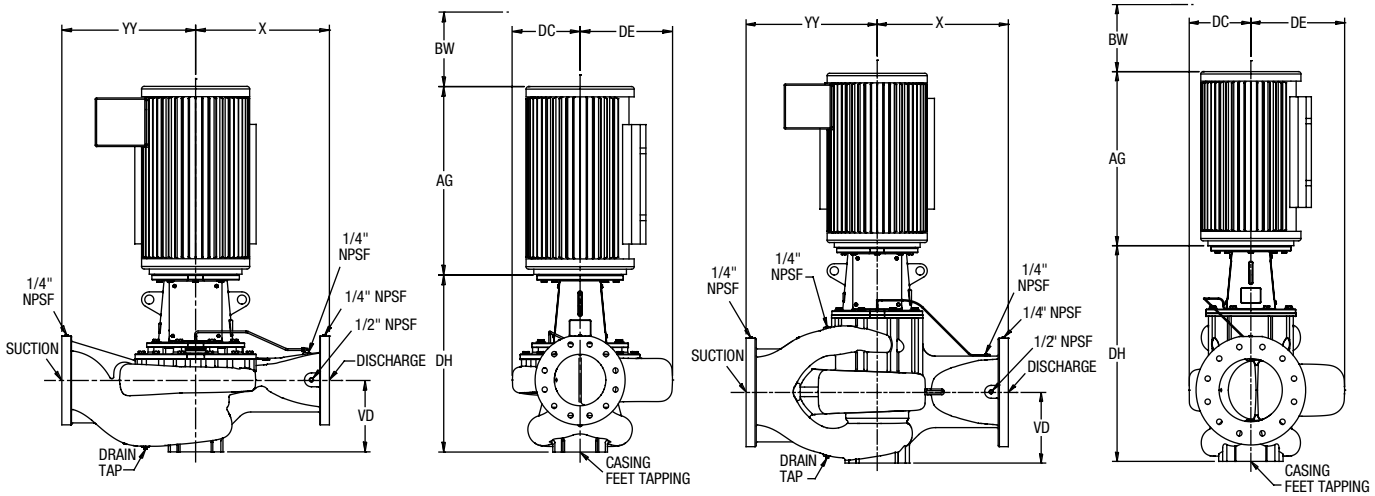
1. BW Minimum – Minimum height needed to remove motor, and then disassemble pump.
2. BW Recommended – Height needed to remove motor, motor bracket and impeller as one assembly.
3. All dimensions in inches and (mm).
4. Dimensions may vary ± 1/4" (6).
5. Not for construction purposes unless certified.
6. N/A = not applicable.
7. Conduit box is shown in approximate location. Dimensions are not specified as they vary with each motor manufacturer.
8. Suction and discharge flanges - 125# ANSI Standard flat face.
9. Optionally available – Suction and discharge flanges – 250# ANSI Standard flat face.

AURORA® MODEL 382B-SC PUMPS

MOTOR FRAME

284 TC TO 5010 SD

SINGLE SUCTION PUMP (10x10x19 ONLY) OR DOUBLE SUCTION PUMP – NO BASE



DOUBLE SUCTION PUMP

FRAME	286 TC	324 TC	326 TC	364 TC	365 TC	404 TC	405 TC	444 TC	445 TC	447 TC	449 TC	5010 SD
AG	ODP 23.00 (584)	23.00 (584)	23.00 (584)	25.00 (635)	25.00 (635)	28.00 (711)	28.00 (711)	33.00 (838)	35.00 (889)	38.00 (965)	40.00 (1016)	51.00 (1295)
	TEFC 27.00 (686)	28.00 (711)	29.00 (737)	35.00 (889)	35.00 (889)	36.00 (914)	36.00 (914)	38.00 (965)	38.00 (965)	41.00 (1041)	49.00 (1245)	64.00 (1626)

Pump Size	Frame	X	DC	DE	DH	YY	VD	BW		Pump Weight (Excluding Motor)	Casing Feet Tapping	Drain Tap (NPSF)
								Minimum	Recommended			
10x10x14	320 TC	25.00 (635)	10.61 (269)	14.80 (376)	32.24 (819)	25.00 (635)	10.61 (269)	6.00 (152)	15.00 (381)	1104 (501)	8" Flange	1/2"
10x10x14	360 TC	25.00 (635)	10.61 (269)	14.80 (376)	32.86 (835)	25.00 (635)	10.61 (269)	6.50 (165)	15.00 (381)	1106 (502)	8" Flange	1/2"
10x10x14	400 TC	25.00 (635)	10.61 (269)	14.80 (376)	34.24 (870)	25.00 (635)	10.61 (269)	8.00 (203)	15.00 (381)	1111 (504)	8" Flange	1/2"
10x10x14	440 TC	25.00 (635)	10.61 (269)	14.80 (376)	35.49 (902)	25.00 (635)	10.61 (269)	9.00 (229)	15.00 (381)	1124 (510)	8" Flange	1/2"
10x10x19	360 TC	26.00 (660)	13.22 (336)	17.97 (456)	31.65 (804)	26.00 (660)	14.00 (356)	6.50 (165)	9.00 (229)	1088 (494)	8" Flange	1/2"
10x10x19	400 TC	26.00 (660)	13.22 (336)	17.97 (456)	33.03 (839)	26.00 (660)	14.00 (356)	8.00 (203)	9.00 (229)	1093 (496)	8" Flange	1/2"
10x10x19	440 TC	26.00 (660)	13.22 (336)	17.97 (456)	34.28 (871)	26.00 (660)	14.00 (356)	9.00 (229)	9.00 (229)	1096 (497)	8" Flange	1/2"
10x10x19	5010 SD	26.00 (660)	13.22 (336)	17.97 (456)	31.53 (801)	26.00 (660)	14.00 (356)	6.00 (152)	9.00 (229)	1157 (525)	8" Flange	1/2"
12x12x14	280 TC	25.75 (654)	11.33 (288)	17.09 (434)	38.45 (977)	25.75 (654)	14.00 (356)	5.00 (127)	20.00 (508)	1369 (621)	10" Flange	1/2"
12x12x14	320 TC	25.75 (654)	11.33 (288)	17.09 (434)	39.08 (993)	25.75 (654)	14.00 (356)	6.00 (152)	20.00 (508)	1375 (624)	10" Flange	1/2"
12x12x14	360 TC	25.75 (654)	11.33 (288)	17.09 (434)	39.70 (1008)	25.75 (654)	14.00 (356)	6.50 (165)	20.00 (508)	1377 (625)	10" Flange	1/2"
12x12x14	400 TC	25.75 (654)	11.33 (288)	17.09 (434)	41.08 (1043)	25.75 (654)	14.00 (356)	8.00 (203)	20.00 (508)	1382 (627)	10" Flange	1/2"
12x12x14	440 TC	25.75 (654)	11.33 (288)	17.09 (434)	42.33 (1075)	25.75 (654)	14.00 (356)	9.00 (229)	20.00 (508)	1395 (633)	10" Flange	1/2"
12x12x18	360 TC	28.00 (711)	12.84 (326)	18.57 (472)	45.12 (1146)	28.00 (711)	15.94 (405)	6.50 (165)	22.00 (559)	1809 (821)	10" Flange	1/2"
12x12x18	400 TC	28.00 (711)	12.84 (326)	18.57 (472)	46.50 (1181)	28.00 (711)	15.94 (405)	8.00 (203)	22.00 (559)	1814 (822)	10" Flange	1/2"
12x12x18	440 TC	28.00 (711)	12.84 (326)	18.57 (472)	47.75 (1213)	28.00 (711)	15.94 (405)	9.00 (229)	22.00 (559)	1827 (829)	10" Flange	1/2"
12x12x18	5010 SD	28.00 (711)	12.84 (326)	18.57 (472)	45.03 (1144)	28.00 (711)	15.94 (405)	6.00 (152)	22.00 (559)	1878 (852)	10" Flange	1/2"
14x14x15	320 TC	27.50 (699)	12.93 (328)	19.67 (500)	41.75 (1060)	27.50 (699)	14.94 (379)	6.00 (152)	22.00 (559)	1636 (742)	10" Flange	3/4"
14x14x15	360 TC	27.50 (699)	12.93 (328)	19.67 (500)	42.37 (1076)	27.50 (699)	14.94 (379)	6.50 (165)	22.00 (559)	1641 (744)	10" Flange	3/4"
14x14x15	400 TC	27.50 (699)	12.93 (328)	19.67 (500)	43.75 (1111)	27.50 (699)	14.94 (379)	8.00 (203)	22.00 (559)	1700 (771)	10" Flange	3/4"
14x14x15	440 TC	27.50 (699)	12.93 (328)	19.67 (500)	45.00 (1143)	27.50 (699)	14.94 (379)	9.00 (229)	22.00 (559)	1713 (777)	10" Flange	3/4"
14x14x15	5010 SD	27.50 (699)	12.93 (328)	19.67 (500)	42.25 (1073)	27.50 (699)	14.94 (379)	6.00 (152)	22.00 (559)	1748 (793)	10" Flange	3/4"
14x14x18	400 TC	31.00 (787)	13.14 (334)	18.34 (466)	43.00 (1092)	31.00 (787)	14.19 (360)	8.00 (203)	20.00 (508)	1941 (880)	10" Flange	3/4"
14x14x18	440 TC	31.00 (787)	13.14 (334)	18.34 (466)	44.25 (1124)	31.00 (787)	14.19 (360)	9.00 (229)	20.00 (508)	1952 (885)	10" Flange	3/4"
14x14x18	5010 SD	31.00 (787)	13.14 (334)	18.34 (466)	41.50 (1054)	31.00 (787)	14.19 (360)	6.00 (152)	20.00 (508)	1990 (903)	10" Flange	3/4"

NOTES:

1. BW Minimum – Minimum height needed to remove motor, and then disassemble pump.
2. BW Recommended – Height needed to remove motor, motor bracket and impeller as one assembly.
3. All dimensions in inches and (mm).
4. Dimensions may vary ± 1/4" (6).
5. Not for construction purposes unless certified.
6. N/A = not applicable.
7. Conduit box is shown in approximate location. Dimensions are not specified as they vary with each motor manufacturer.
8. Suction and discharge flanges - 125# ANSI Standard flat face.
9. Optionally available – Suction and discharge flanges – 250# ANSI Standard flat face.