

# 3/4 x 1 x 6A SERIES 320

## ENCLOSED IMPELLER

Section **320** Page **401**

Date **June 2013**

Supersedes Section 320 Page 401

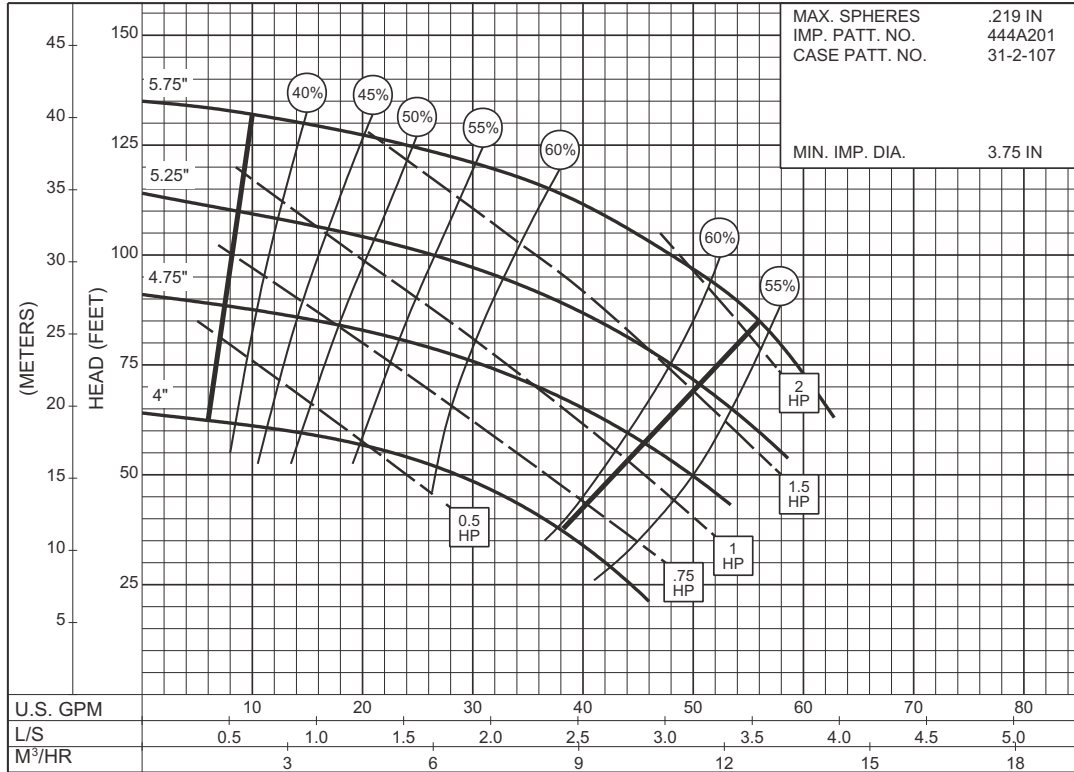
Dated January 2001

SIZE : 3/4x1x6A

TYPE : 320

IMPELLER : Enclosed

R. P. M. : 3500



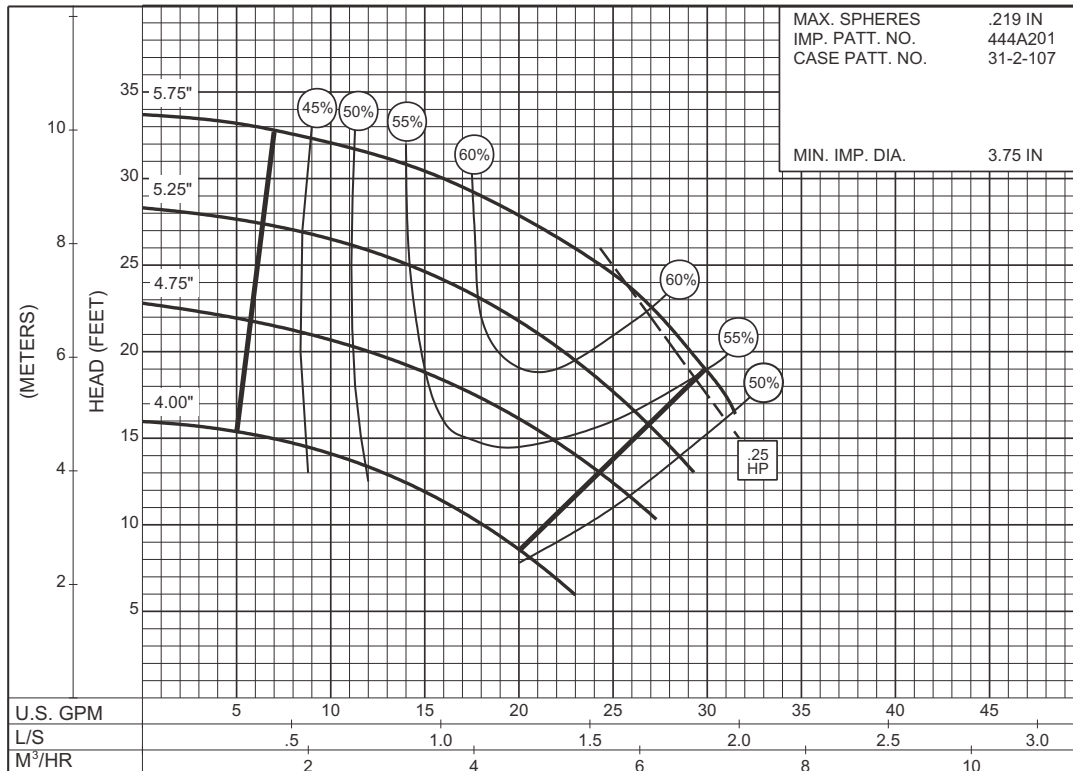
**3500**  
R.P.M

SIZE : 3/4x1x6A

TYPE : 320

IMPELLER : Enclosed

R. P. M. : 1750



**1750**  
R.P.M

Supersedes Section 320 Page 402  
 Dated January 2001

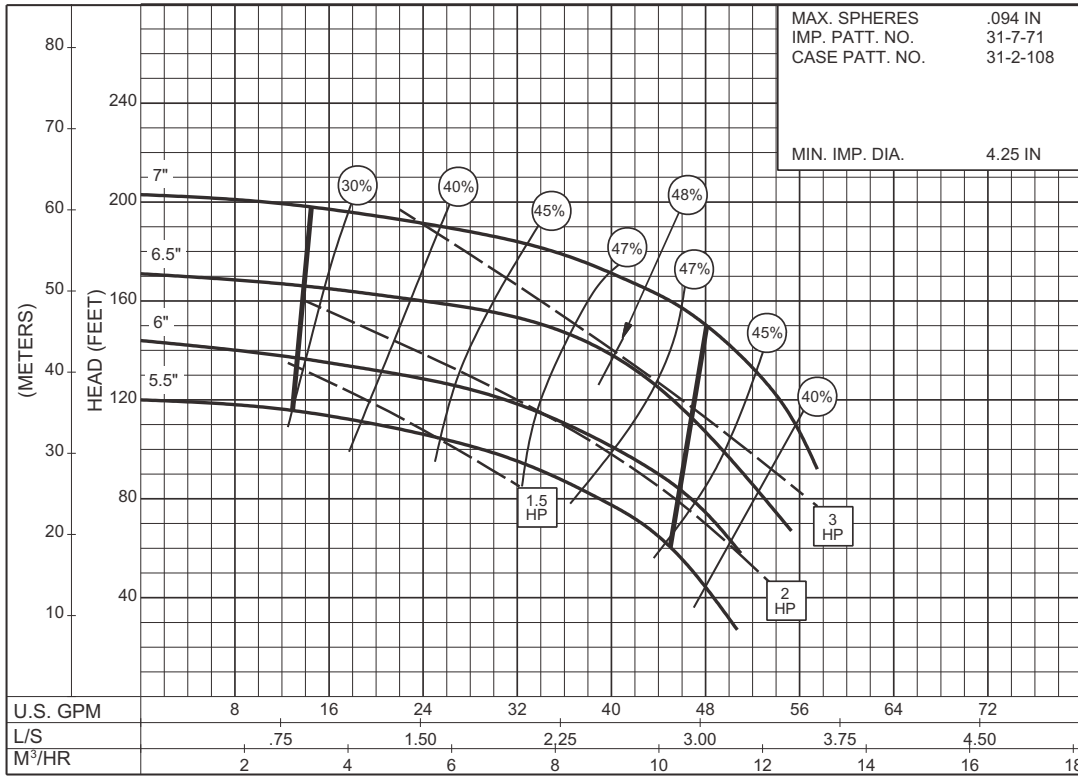
SIZE : 3/4x1x7A

TYPE : 320

IMPELLER : Enclosed

R. P. M. : 3500

MAX. SPHERES	.094 IN
IMP. PATT. NO.	31-7-71
CASE PATT. NO.	31-2-108
MIN. IMP. DIA.	4.25 IN



31 PC-10929

# 3/4 x 1 x 7B SERIES 320

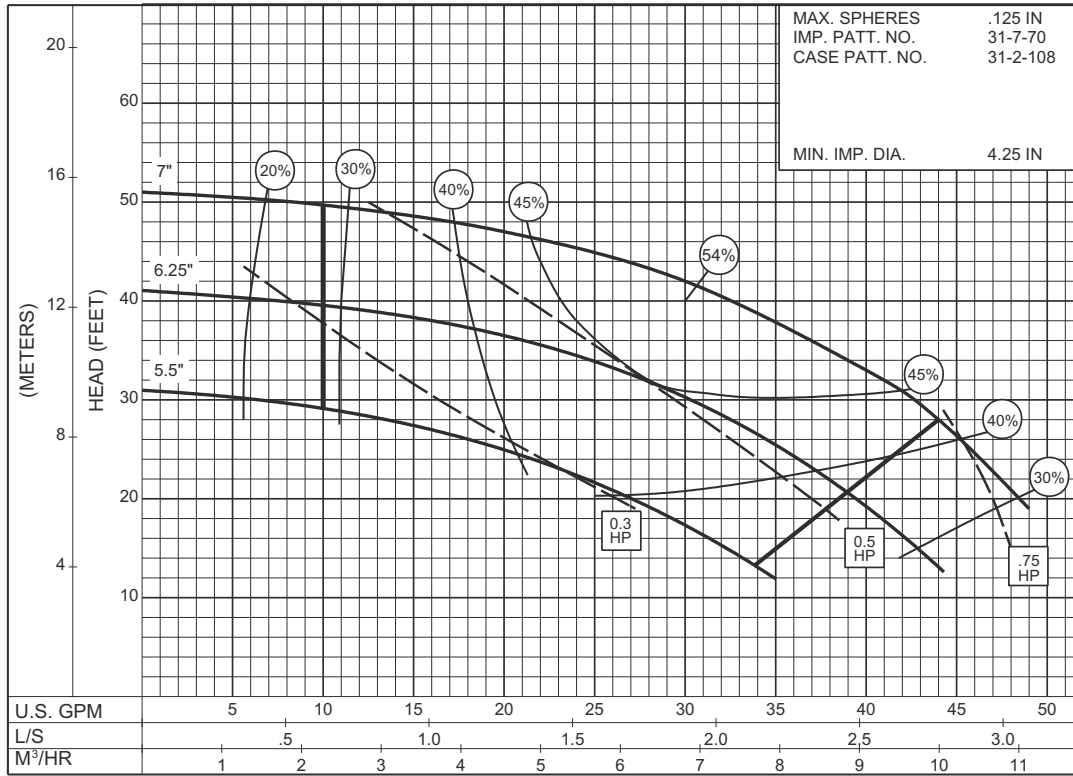
## ENCLOSED IMPELLER

SIZE : 3/4x1x7B

TYPE : 320

IMPELLER : Enclosed

R. P. M. : 1750

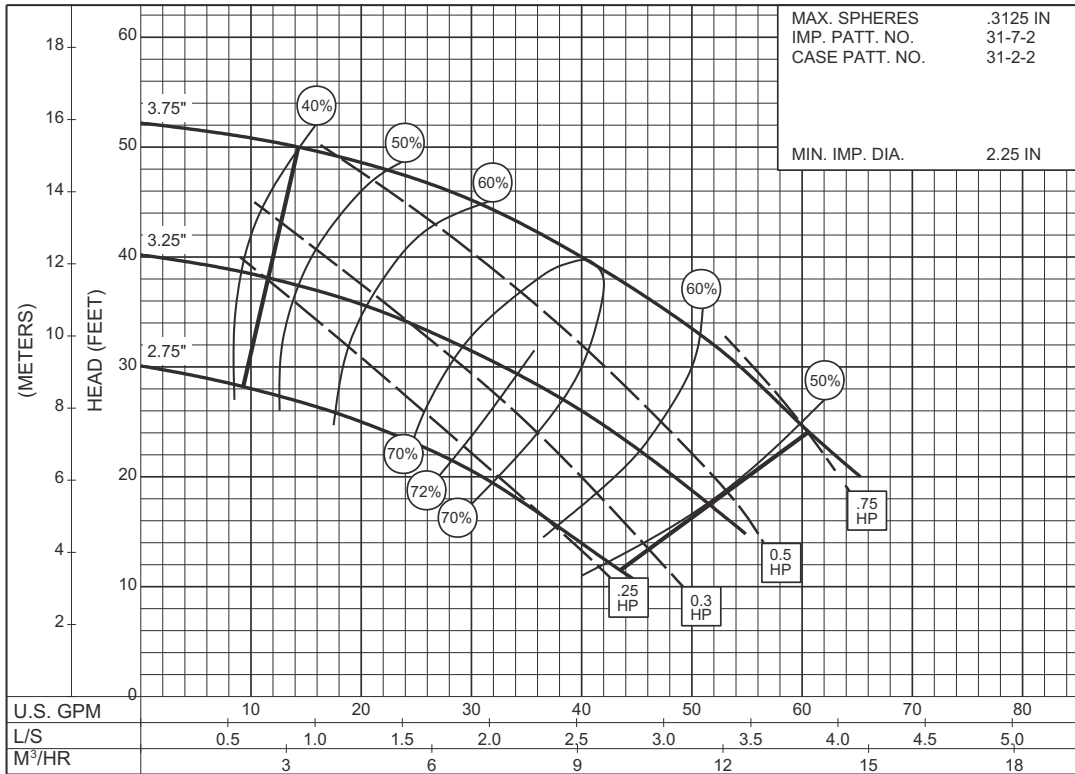


31PC-10930



Supersedes Section 320 Page 404  
 Dated January 2001

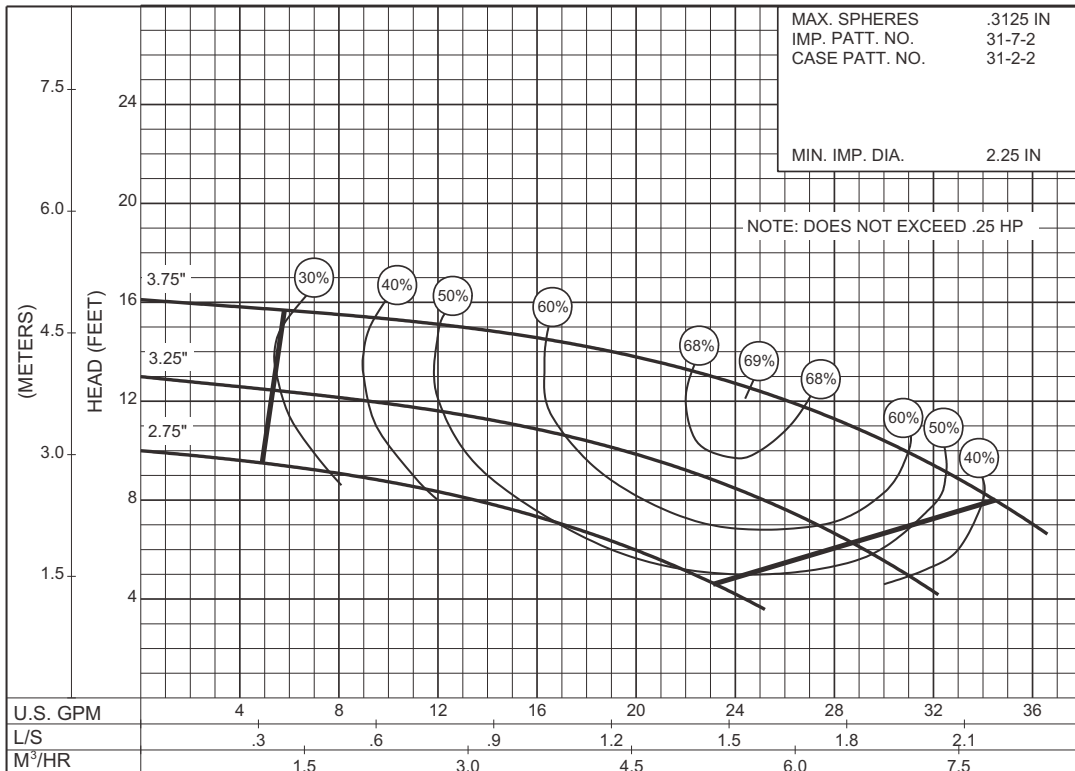
**SIZE : 1x1-1/4x4 TYPE : 320 IMPELLER : Enclosed R. P. M. : 3500**



**31PC-10909**

**3500**  
R.P.M

**SIZE : 1x1-1/4x4 TYPE : 320 IMPELLER : Enclosed R. P. M. : 1750**



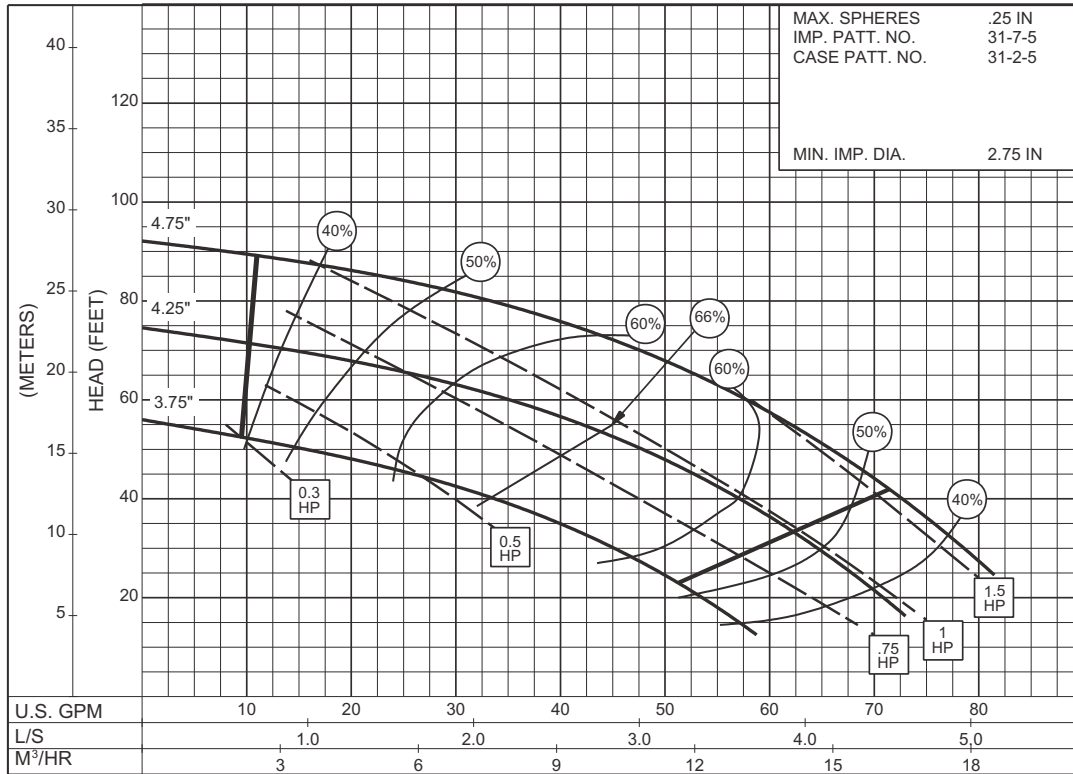
**31PC-10910**

**1750**  
R.P.M

# 1 x 1-1/4 x 5 SERIES 320

## ENCLOSED IMPELLER

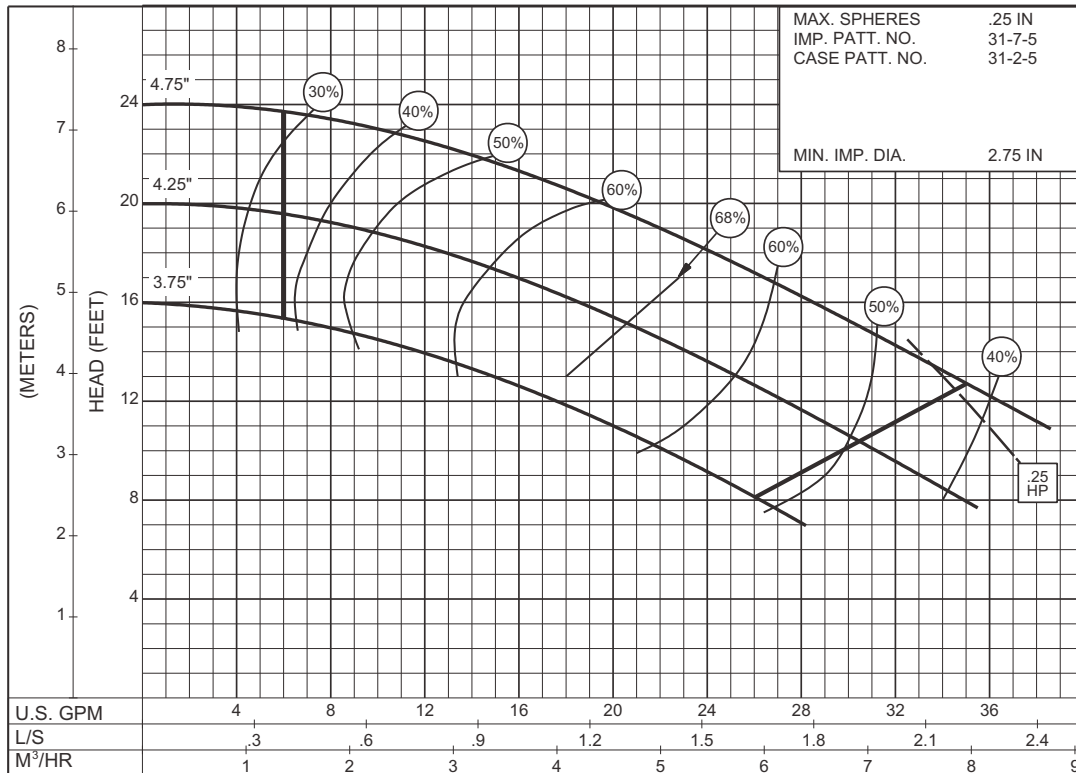
SIZE : 1x1-1/4x5 TYPE : 320 IMPELLER : Enclosed R. P. M. : 3500



31PC-10915

**3500**  
R.P.M

SIZE : 1x1-1/4x5 TYPE : 320 IMPELLER : Enclosed R. P. M. : 1750

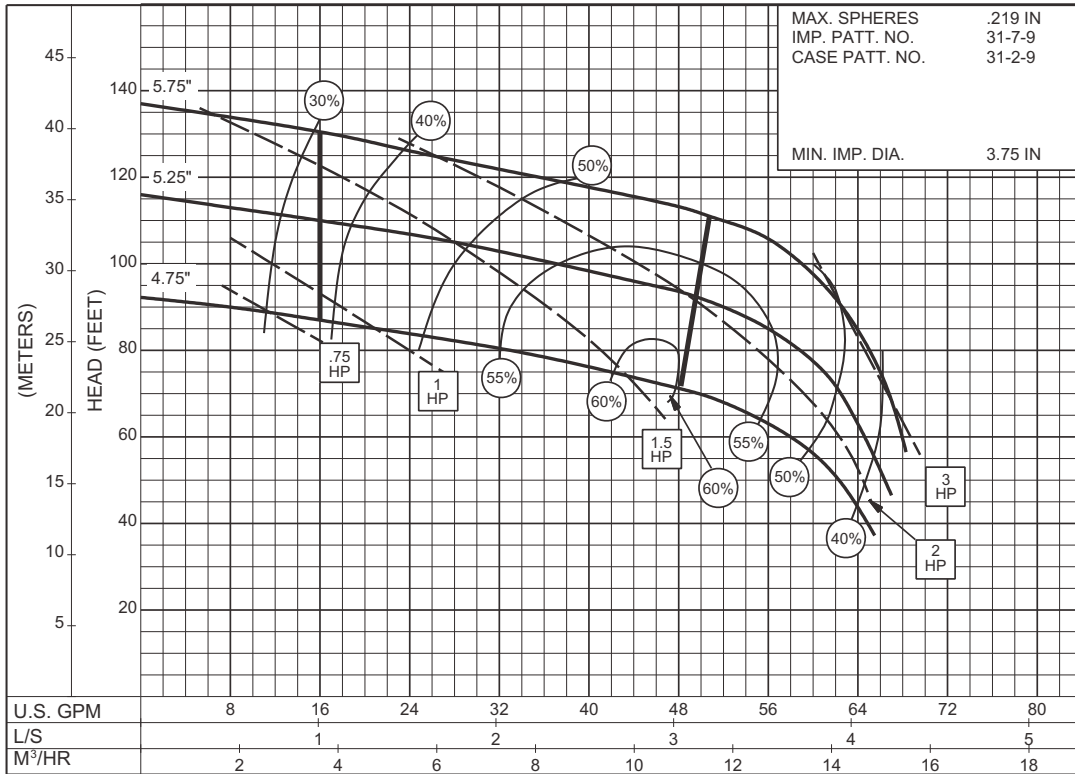


31PC-10916

**1750**  
R.P.M

Supersedes Section 320 Page 406  
 Dated January 2001

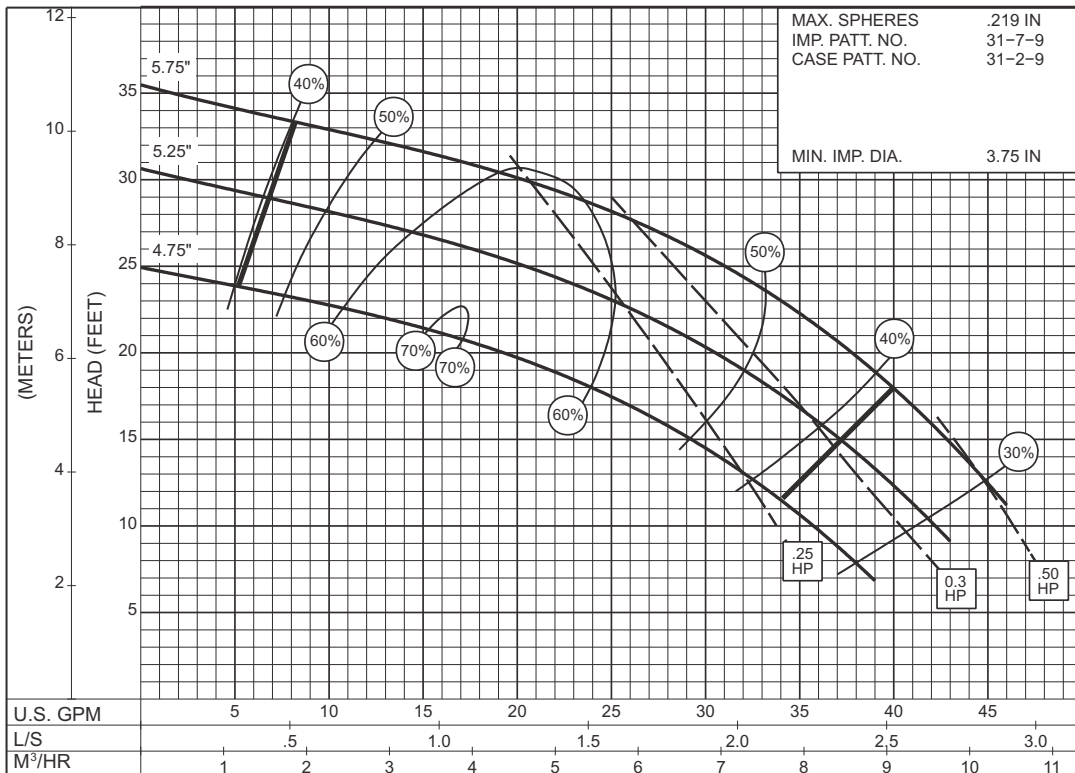
**SIZE : 1x1-1/4x6 TYPE : 320 IMPELLER : Enclosed R. P. M. : 3500**



**31PC-10923**

**3500**  
**R.P.M**

**SIZE : 1x1-1/4x6 TYPE : 320 IMPELLER : Enclosed R. P. M. : 1750**



**31PC-10924**

**1750**  
**R.P.M**

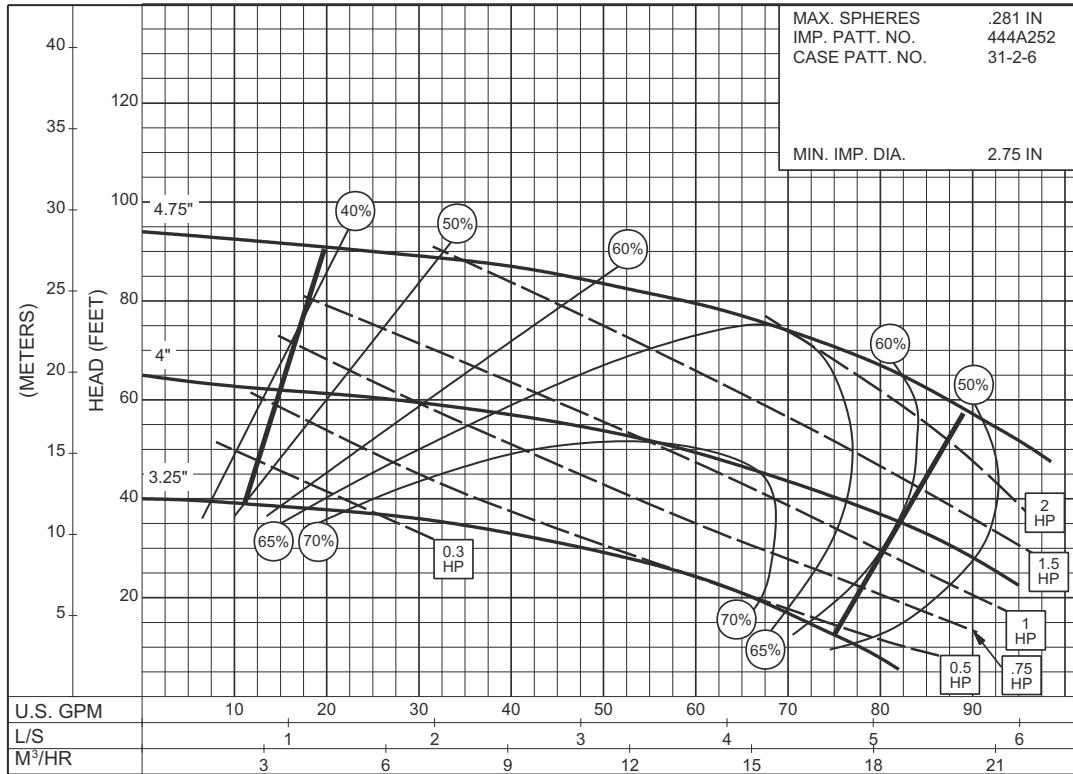
**ENCLOSED IMPELLER**

Date **June 2013**

Supersedes Section 320 Page 407

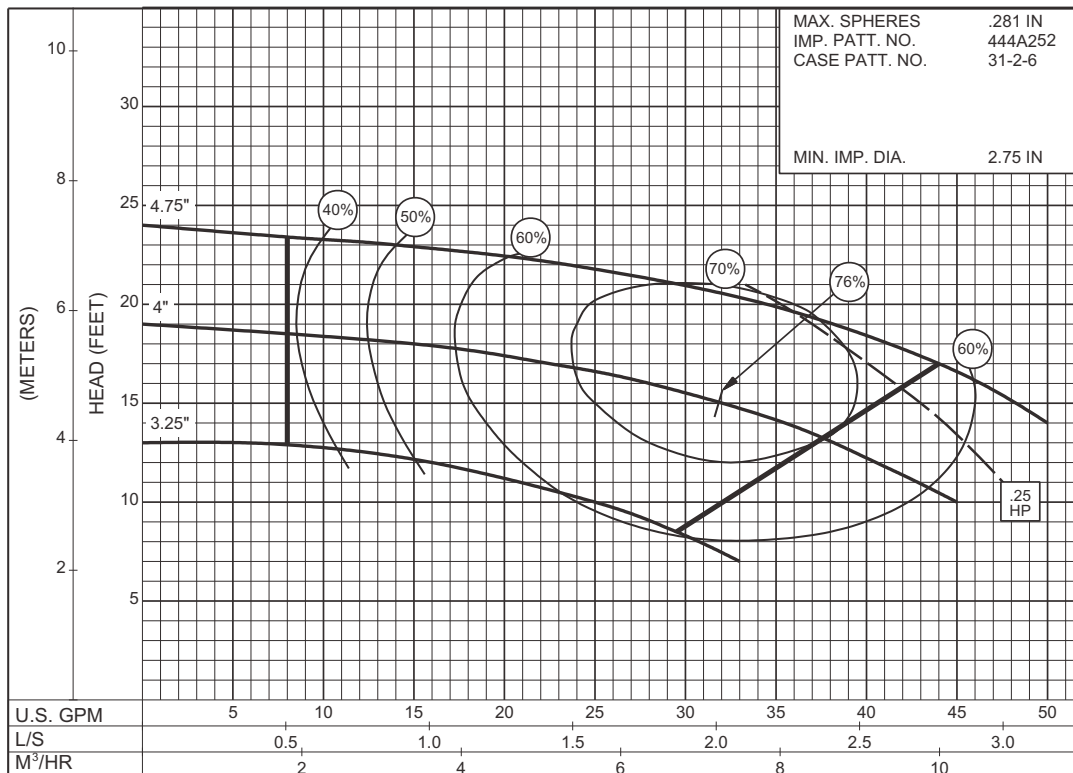
Dated January 2001

**SIZE : 1-1/4x1-1/2x5 TYPE : 320 IMPELLER : Enclosed R. P. M. : 3500**



**3500  
R.P.M**

**SIZE : 1-1/4x1-1/2x5 TYPE : 320 IMPELLER : Enclosed R. P. M. : 1750**



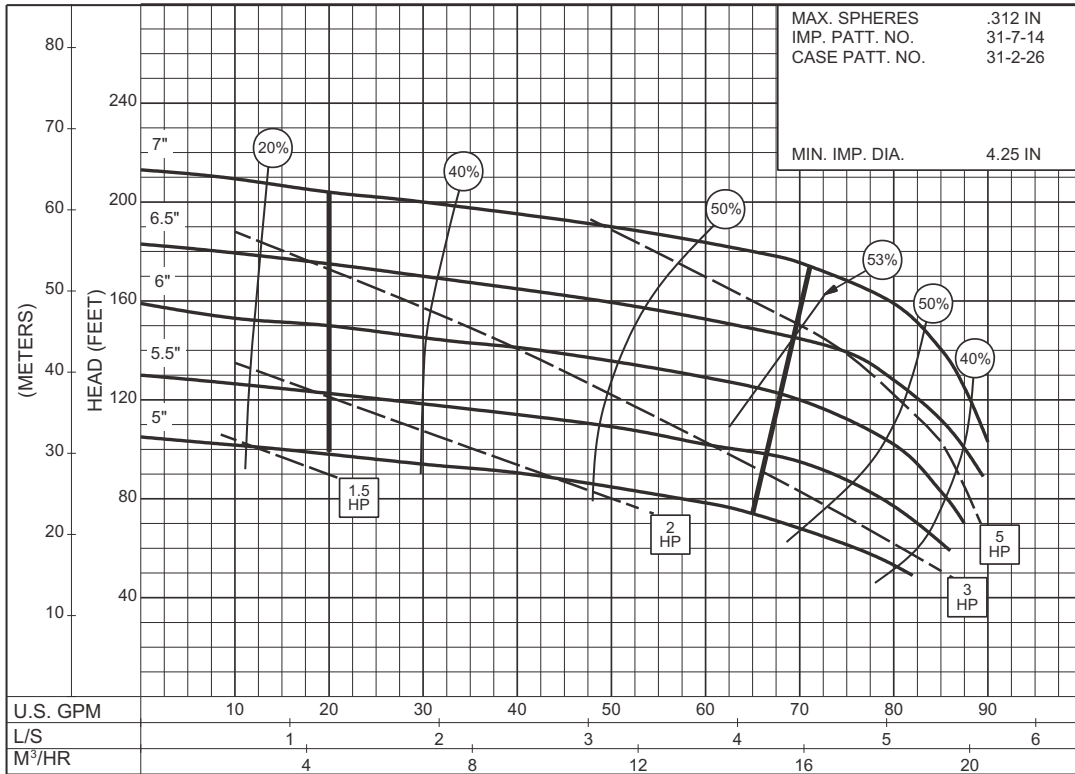
**1750  
R.P.M**

**ENCLOSED IMPELLER**

Supersedes Section 320 Page 408  
 Dated January 2001

**SIZE : 1-1/4x1-1/2x7A      TYPE : 320      IMPELLER : Enclosed      R. P. M. : 3500**

MAX. SPHERES .312 IN  
 IMP. PATT. NO. 31-7-14  
 CASE PATT. NO. 31-2-26  
 MIN. IMP. DIA. 4.25 IN



**31PC-10931**





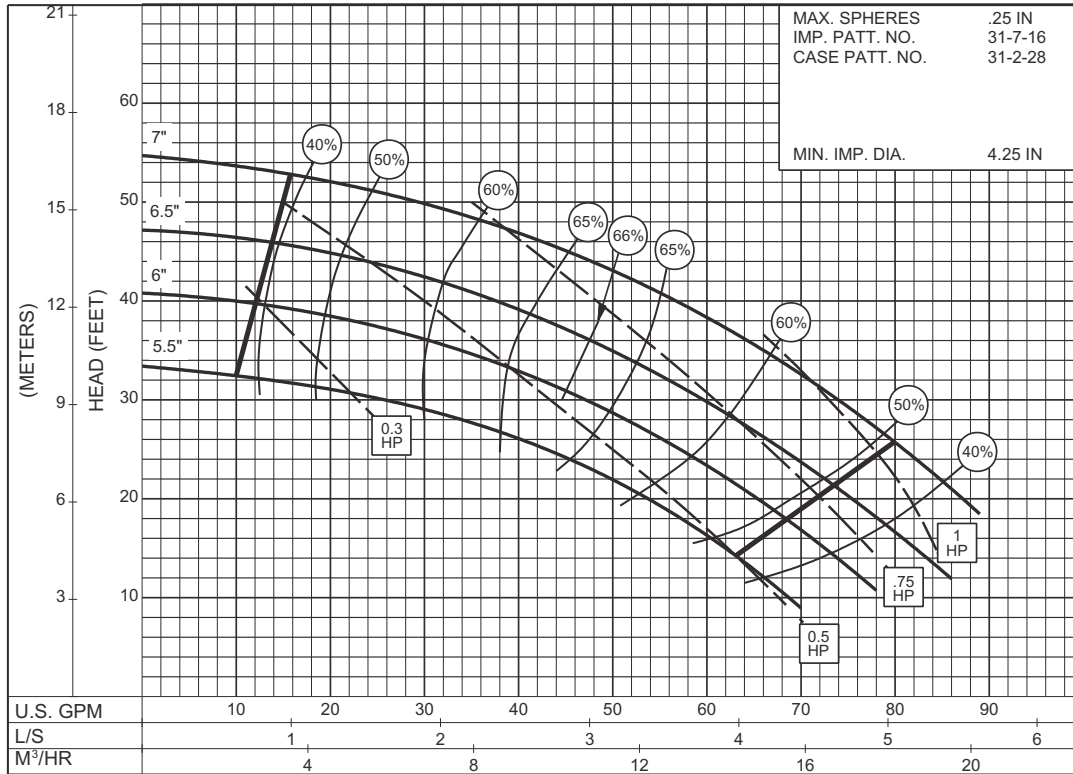
**ENCLOSED IMPELLER**

Date **June 2013**

Supersedes Section 320 Page 409

Dated January 2001

**SIZE : 1-1/4x1-1/2x7B      TYPE : 320      IMPELLER : Enclosed      R. P. M. : 1750**



MAX. SPHERES .25 IN  
 IMP. PATT. NO. 31-7-16  
 CASE PATT. NO. 31-2-28  
 MIN. IMP. DIA. 4.25 IN

**1750  
R.P.M**

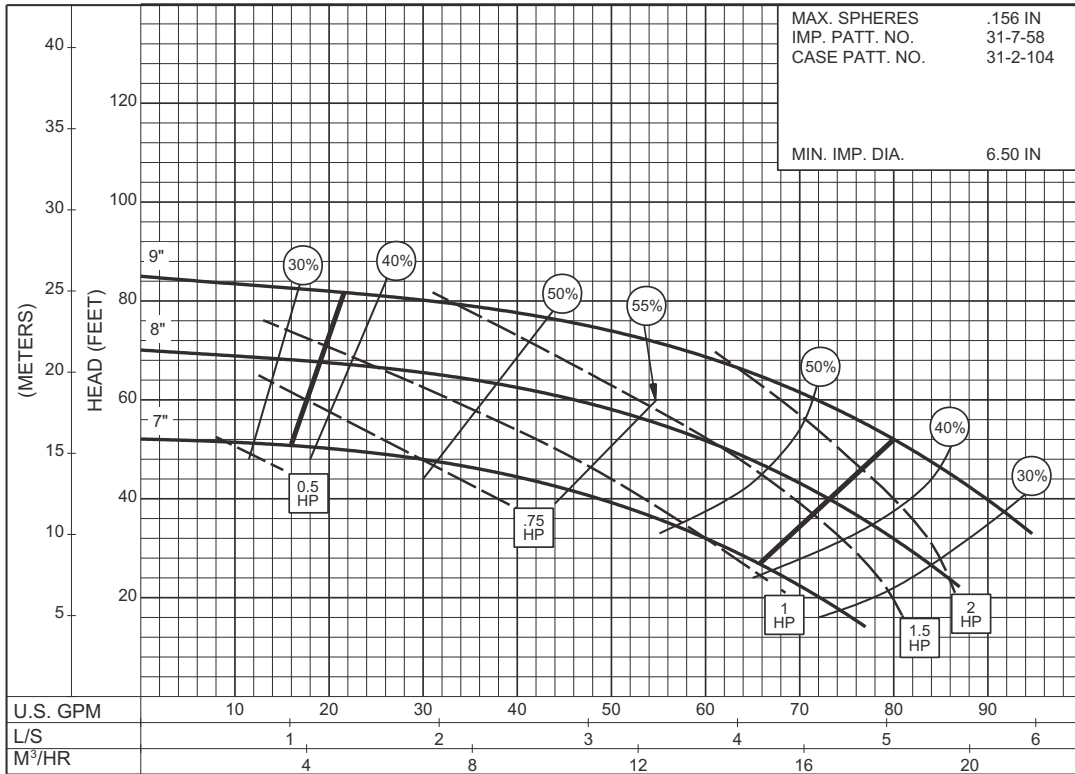
**31PC-10932**

**ENCLOSED IMPELLER**

Supersedes Section 320 Page 410  
 Dated January 2001

**SIZE : 1-1/4x1-1/2x9 TYPE : 320 IMPELLER : Enclosed R. P. M. : 1750**

MAX. SPHERES .156 IN  
 IMP. PATT. NO. 31-7-58  
 CASE PATT. NO. 31-2-104  
 MIN. IMP. DIA. 6.50 IN

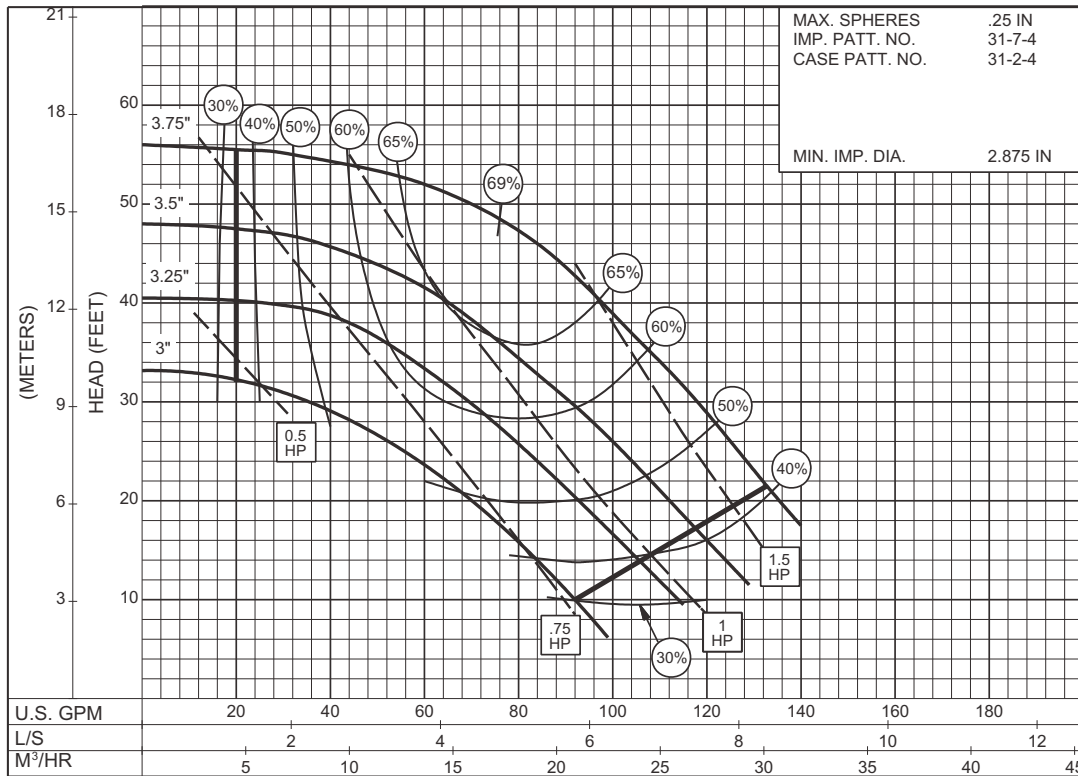


**31PC-10935**

# 1-1/2 x 2 x 4 SERIES 320

## ENCLOSED IMPELLER

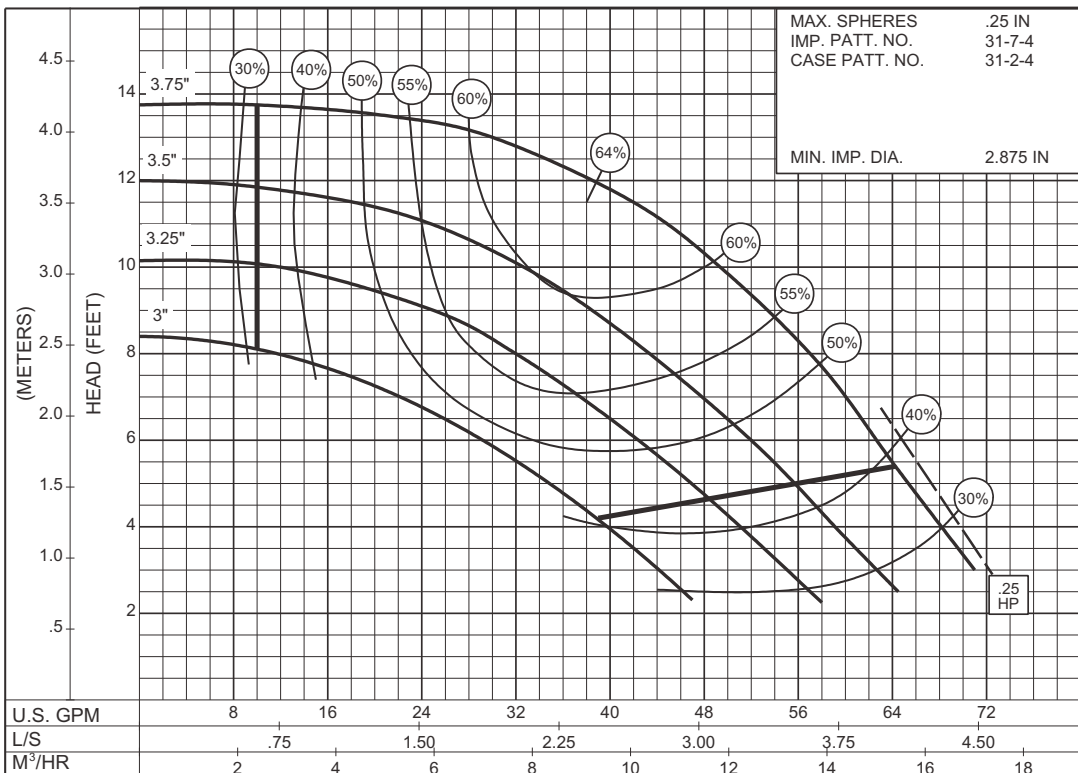
SIZE : 1-1/2x2x4 TYPE : 320 IMPELLER : Enclosed R. P. M. : 3500



31PC-113602

**3500**  
R.P.M

SIZE : 1-1/2x2x4 TYPE : 320 IMPELLER : Enclosed R. P. M. : 1750



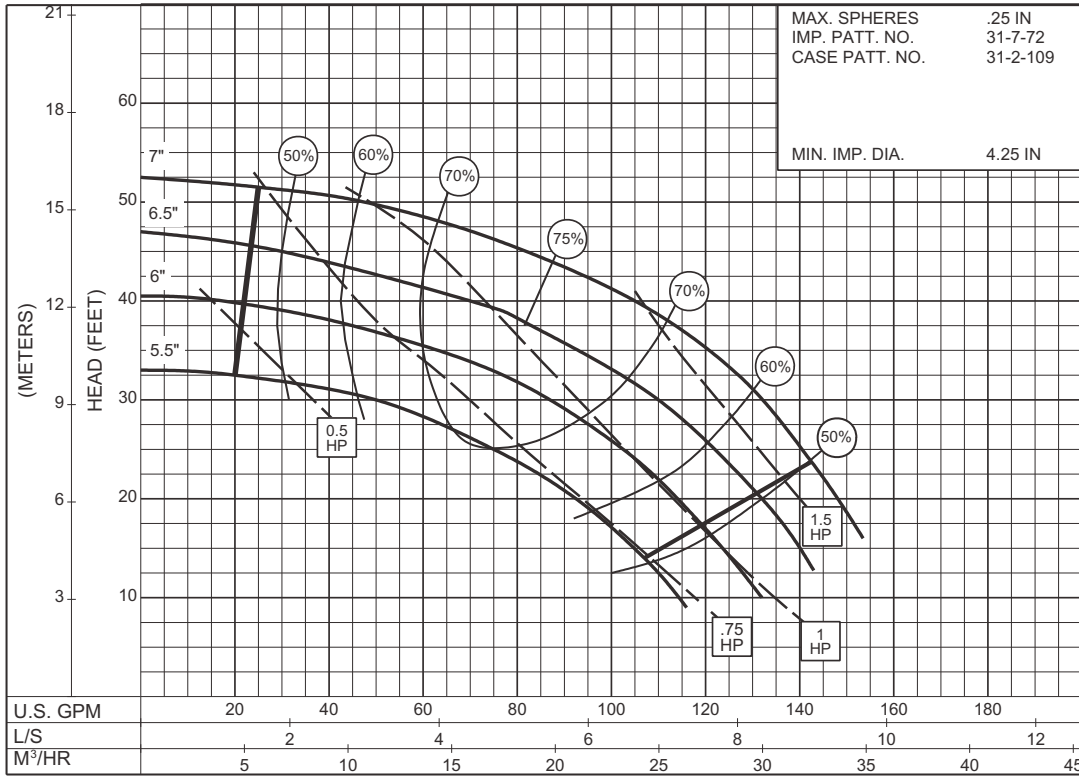
31PC-113603

**1750**  
R.P.M

Supersedes Section 320 Page 412  
 Dated January 2001

SIZE : 1-1/2x2x7 TYPE : 320 IMPELLER : Enclosed R. P. M. : 1750

MAX. SPHERES	.25 IN
IMP. PATT. NO.	31-7-72
CASE PATT. NO.	31-2-109
MIN. IMP. DIA.	4.25 IN



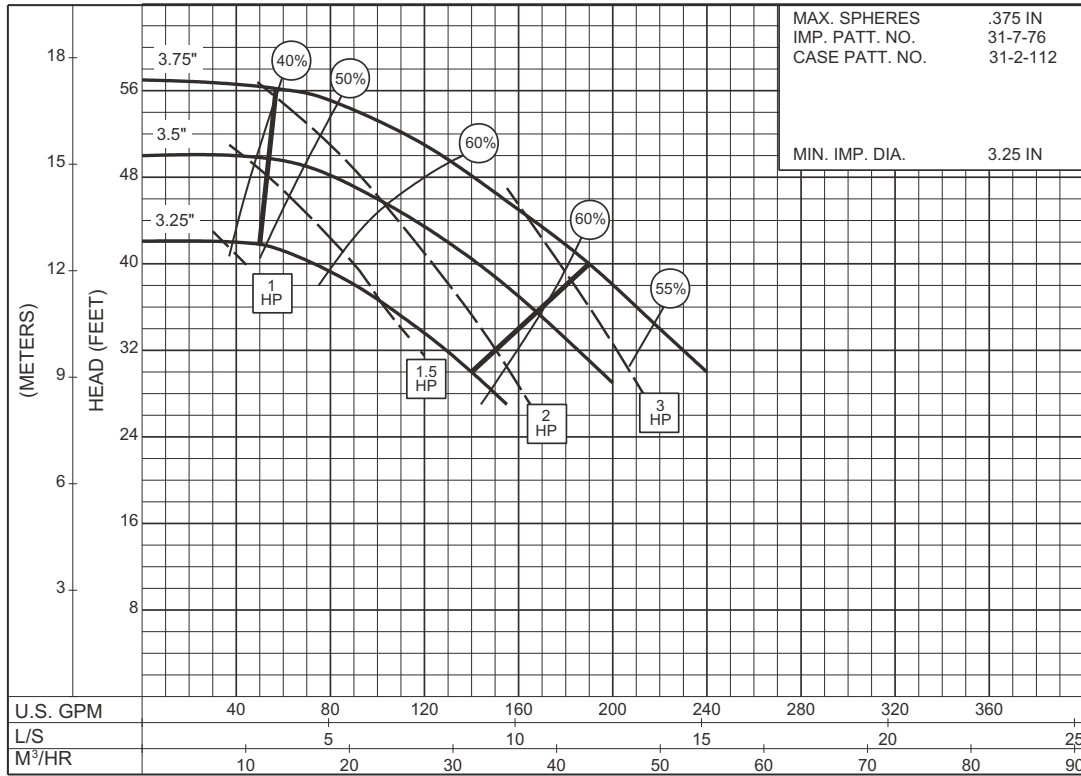
31PC-10933

**1750**  
**R.P.M**

# 2 x 2-1/2 x 4 SERIES 320

## ENCLOSED IMPELLER

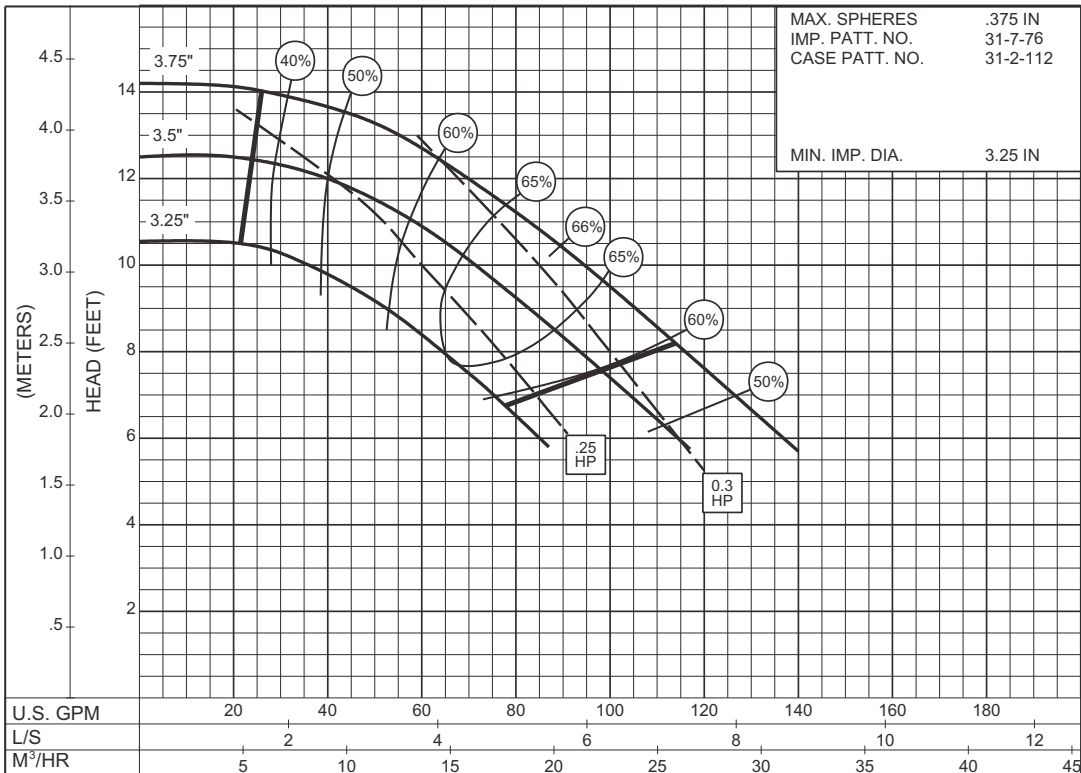
SIZE : 2x2-1/2x4 TYPE : 320 IMPELLER : Enclosed R. P. M. : 3500



**3500**  
R.P.M

31PC-113604

SIZE : 2x2-1/2x4 TYPE : 320 IMPELLER : Enclosed R. P. M. : 1750

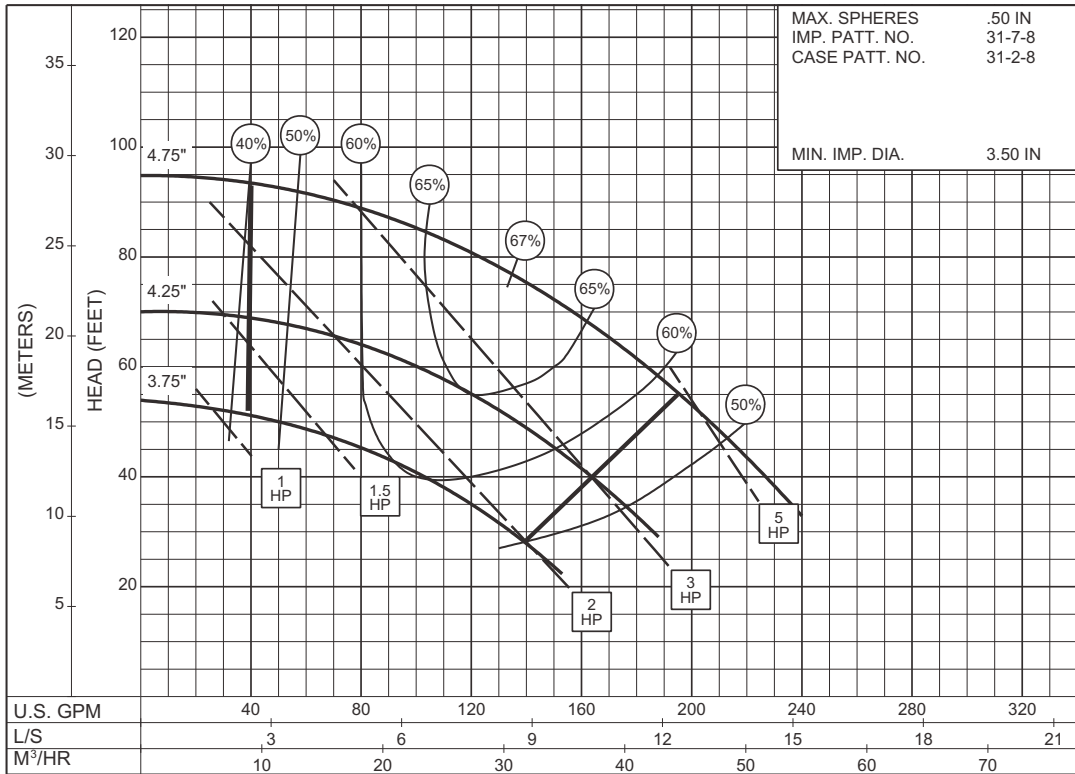


**1750**  
R.P.M

31PC-113605

Supersedes Section 320 Page 414  
 Dated January 2001

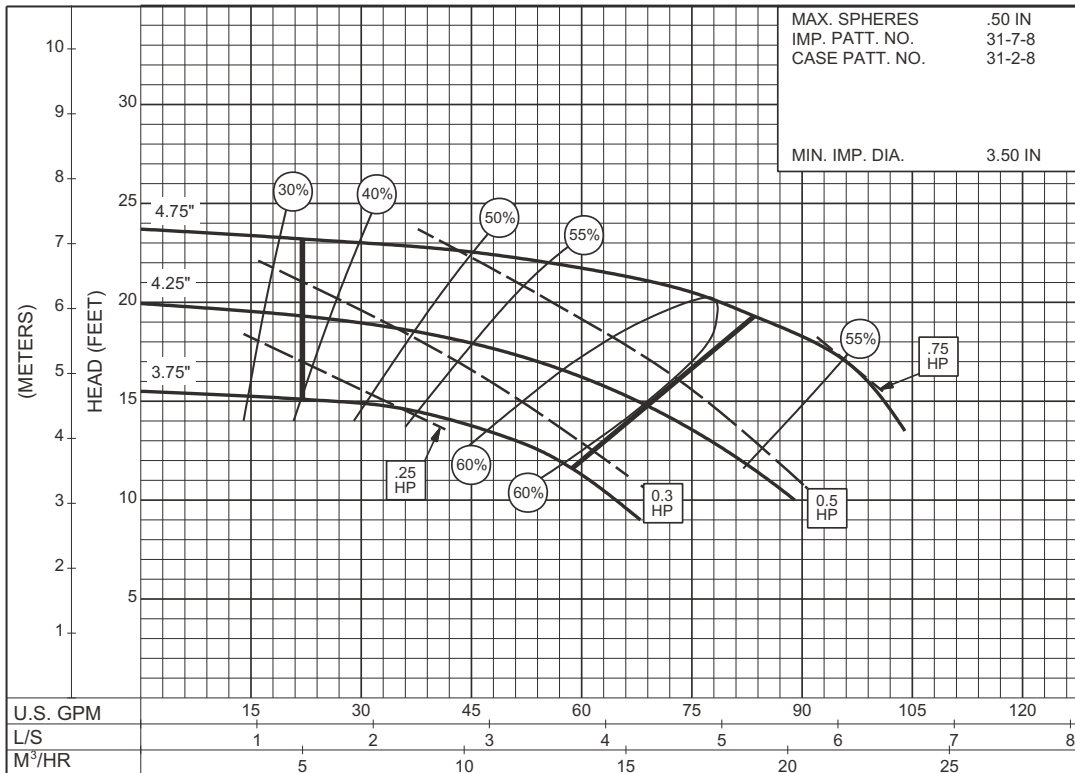
SIZE : 2x2-1/2x5 TYPE : 320 IMPELLER : Enclosed R. P. M. : 3500



**3500**  
R.P.M

31PC-113606

SIZE : 2x2-1/2x5 TYPE : 320 IMPELLER : Enclosed R. P. M. : 1750



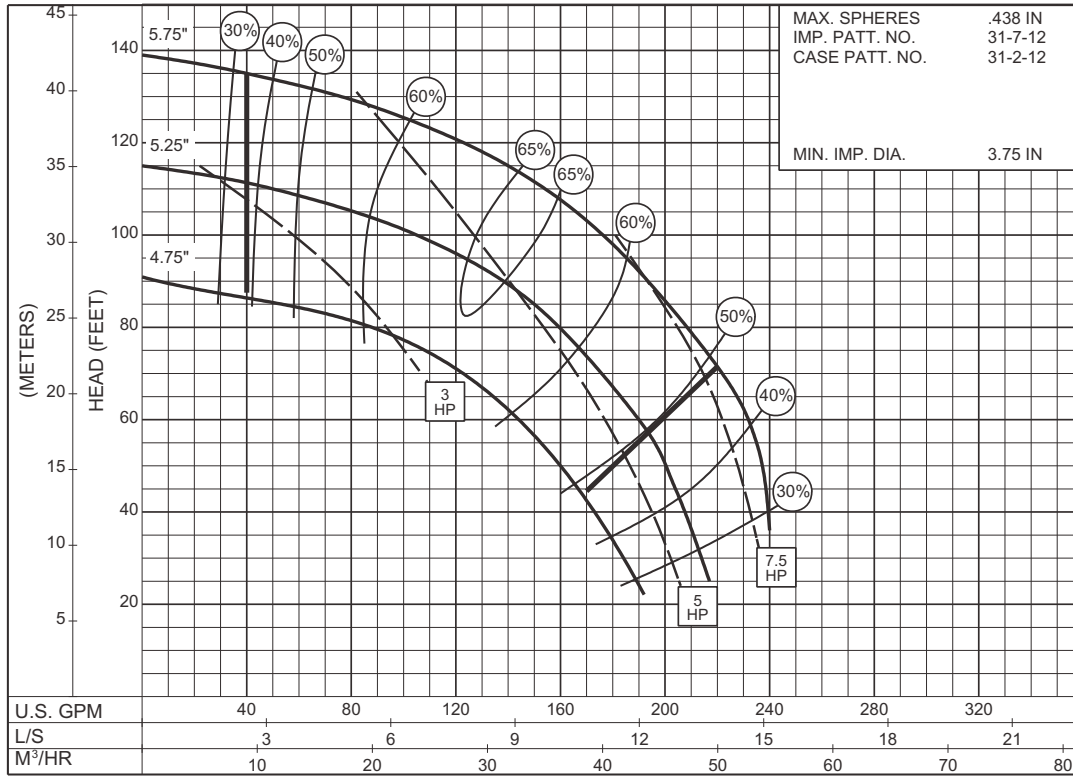
**1750**  
R.P.M

31PC-113607

# 2 x 2-1/2 x 6 SERIES 320

## ENCLOSED IMPELLER

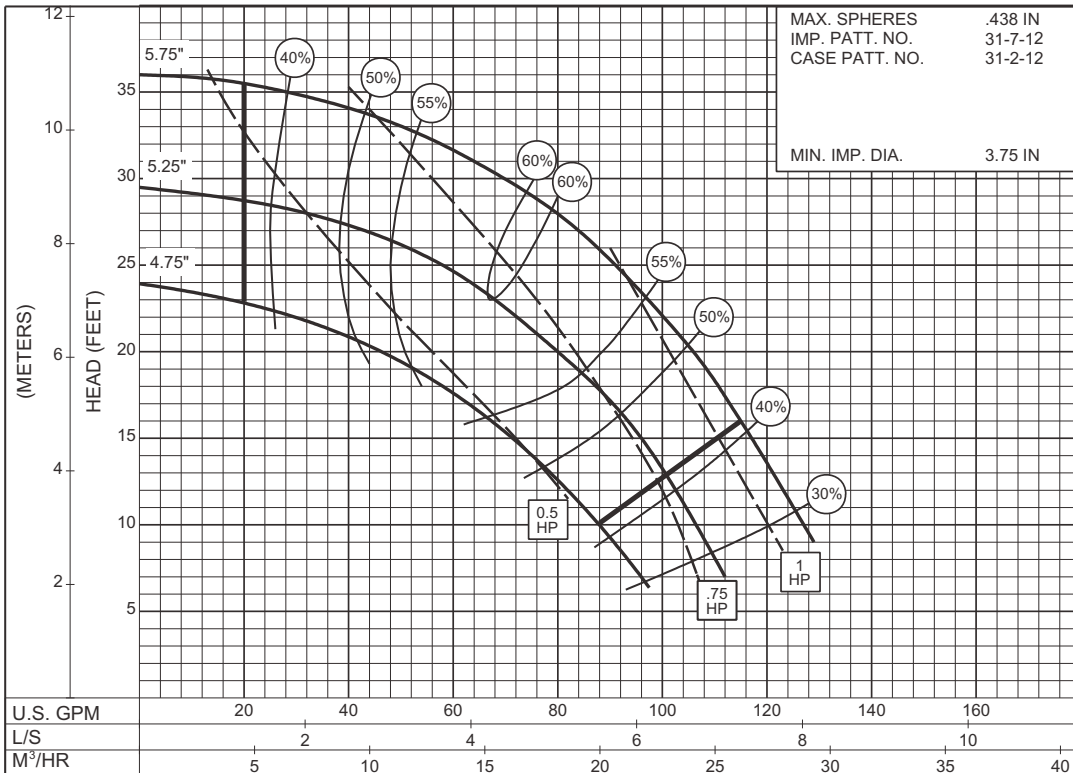
SIZE : 2x2-1/2x6 TYPE : 320 IMPELLER : Enclosed R. P. M. : 3500



31PC-10925

**3500**  
R.P.M

SIZE : 2x2-1/2x6 TYPE : 320 IMPELLER : Enclosed R. P. M. : 1750



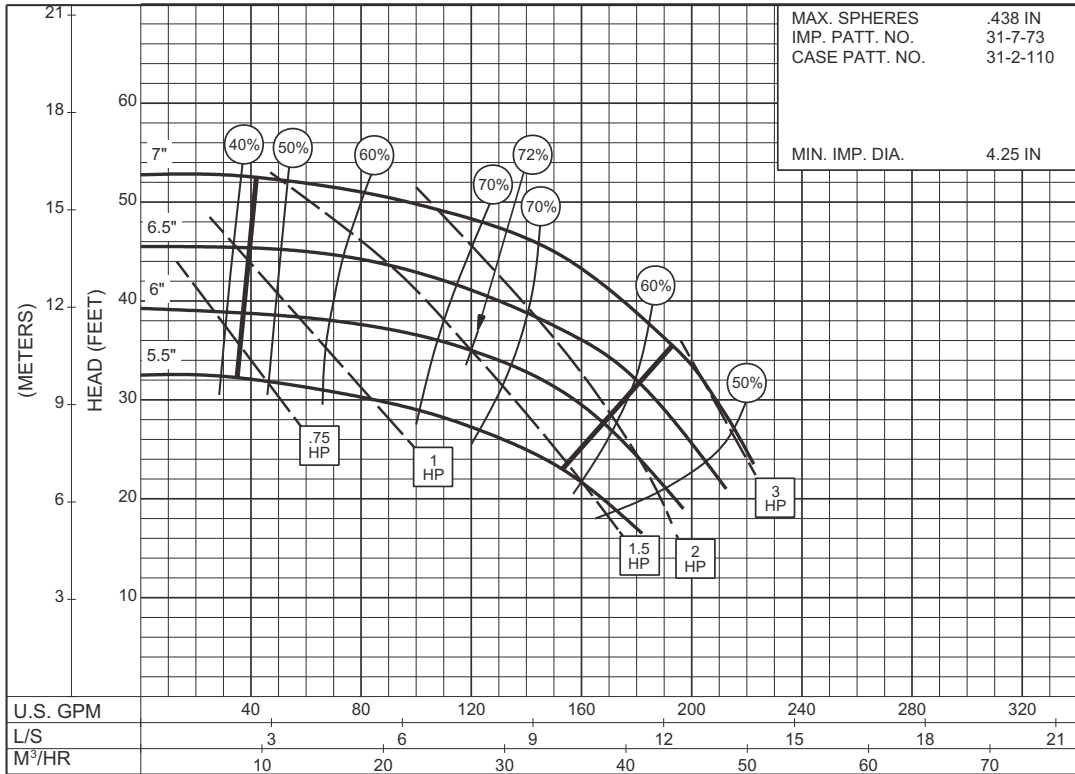
31PC-10926

**1750**  
R.P.M

Supersedes Section 320 Page 416  
 Dated January 2001

SIZE : 2x2-1/2x7 TYPE : 320 IMPELLER : Enclosed R. P. M. : 1750

MAX. SPHERES .438 IN  
 IMP. PATT. NO. 31-7-73  
 CASE PATT. NO. 31-2-110  
 MIN. IMP. DIA. 4.25 IN



**1750**  
**R.P.M**

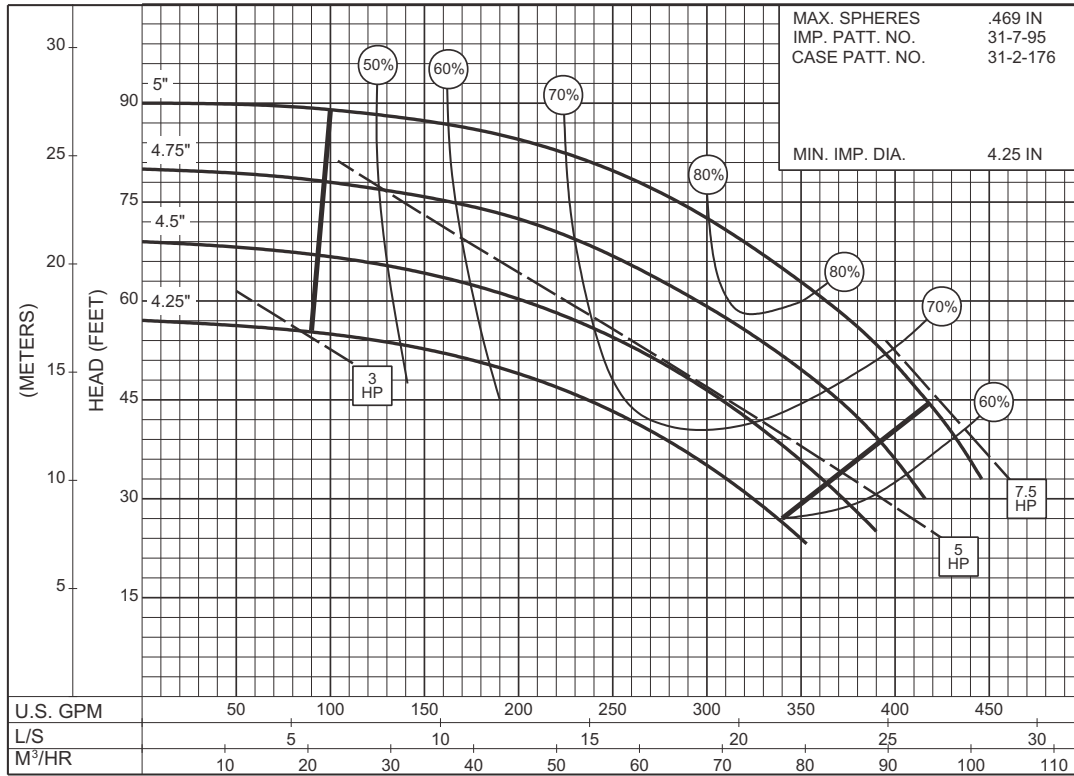
**31PC-10934**



# 3 x 3 x 6 SERIES 320

## ENCLOSED IMPELLER

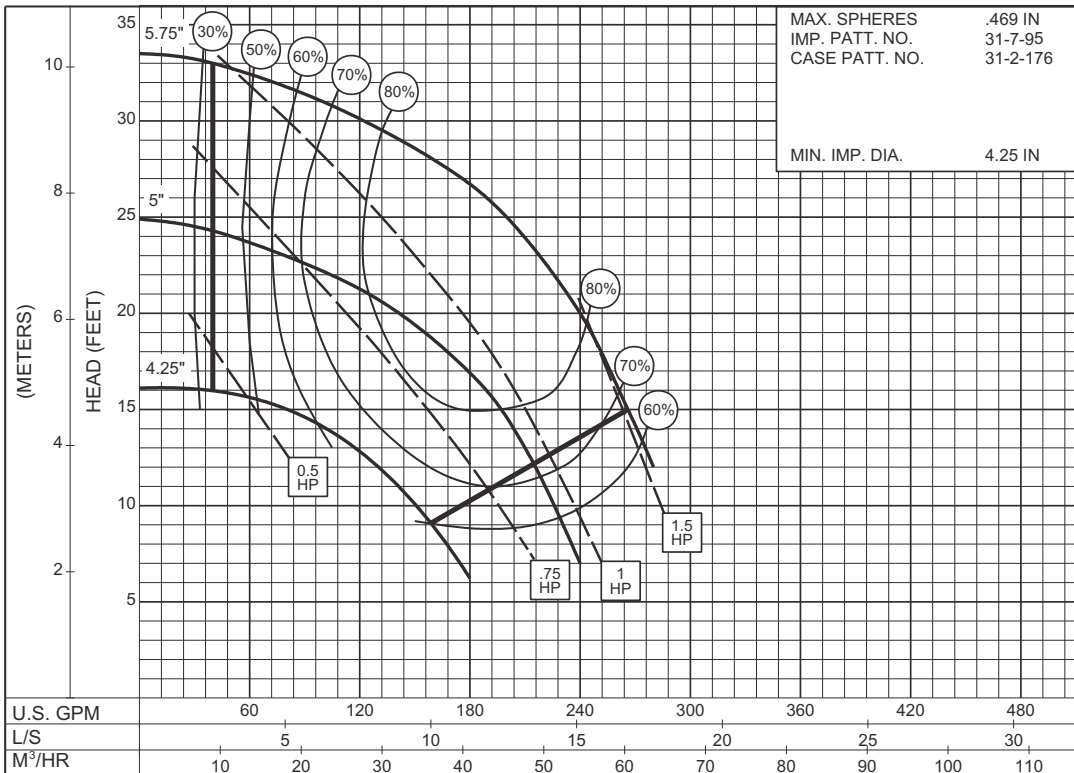
SIZE : 3x3x6 TYPE : 320 IMPELLER : Enclosed R. P. M. : 3500



31PC-122447

**3500**  
R.P.M

SIZE : 3x3x6 TYPE : 320 IMPELLER : Enclosed R. P. M. : 1750



31PC-122448

**1750**  
R.P.M