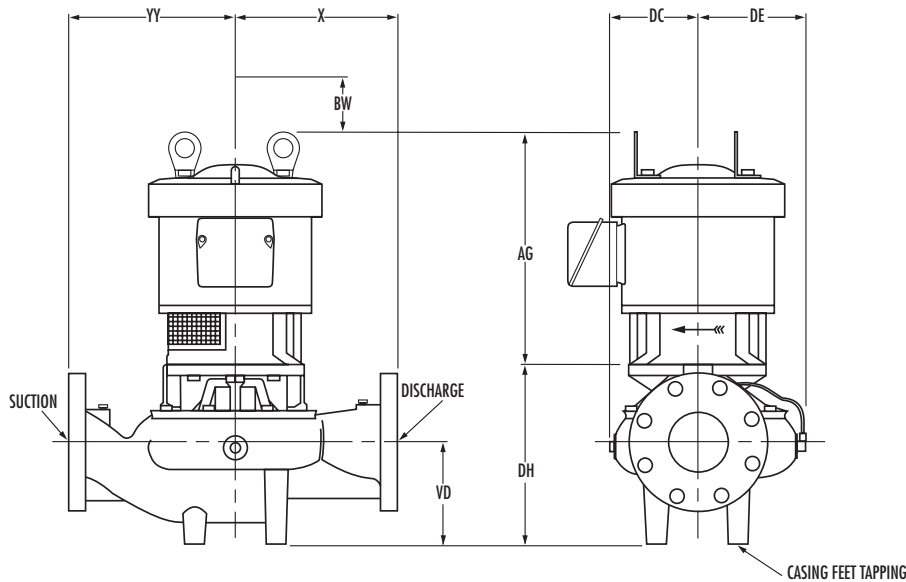


AURORA® MODEL 382A PUMPS

MOTOR FRAME

143JM THRU 326JM

WITH SPLIT SEAL OPTION (143JP/326JP)



JM and JP Motor Frames

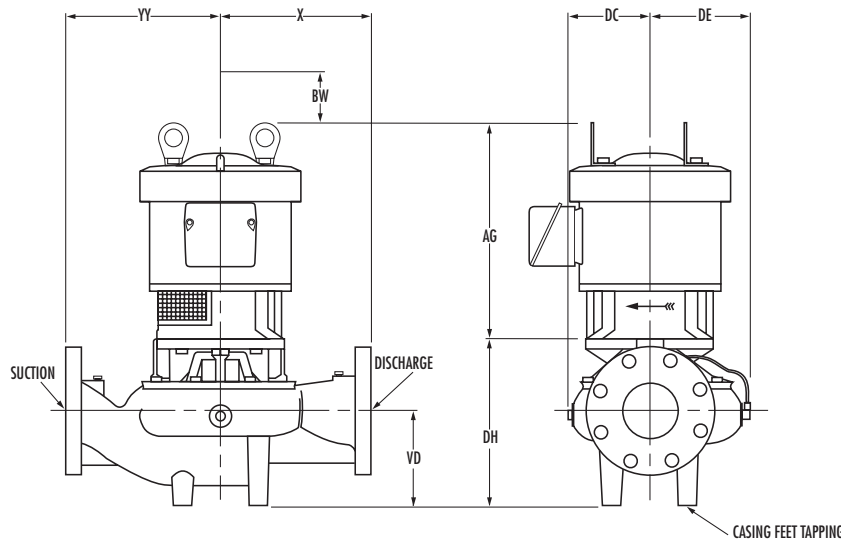
FRAME	AG APPROX.	
	O.D.P.	T.E.F.C. EXP. PR.
143	10	12
145	11	13
182	12	14
184	15	17
213	17	19
215	17	19
254	21	23
256	21	23
284	22	24
286	22	24
324	24	26
326	24	26

PUMP SIZE			X	BW (MIN)	DC	DE	DH(JM)		DH(JP)		YY	VD	CASING FEET TAPPING
DISCHARGE	SUCTION	CASE BORE					143JM THRU 215JM	254JM THRU 326JM	143JP THRU 184JP	213JP THRU 326JP			
1-1/2	1-1/2	9B	9-1/2 (241)	4 (102)	5-3/4 (146)	6-1/8 (193)	10 (254)	N/A	13-1/16 (332)	N/A	9-1/2 (241)	5-1/4 (181)	NOTE 8
2	2	7	8 (203)	3-1/2 (89)	4-1/2 (114)	5-1/8 (130)	9-13/16 (249)	N/A	12-7/8 (327)	N/A	8 (203)	5 (127)	NOTE 9
2	2	9A, B	9-1/2 (241)	4-1/2 (114)	5-7/8 (149)	6-3/8 (162)	10 (254)	N/A	13-1/16 (332)	12-7/8 (327)	9-1/2 (241)	5-1/4 (133)	NOTE 8
2	2	9C	9-1/2 (241)	4-1/2 (114)	5-7/8 (149)	6-3/8 (162)	9-9/16 (244)	10-9/16 (289)	12-5/8 (321)	13-7/16 (341)	9-1/2 (241)	5-1/4 (133)	NOTE 9
2	2	12	12 (305)	5 (127)	7-5/8 (194)	8 (203)	10-1/8 (257)	11-1/8 (283)	N/A	14 (356)	12 (605)	5-1/4 (133)	NOTE 8
2-1/2	2-1/2	7	9 (229)	3-1/2 (89)	4-3/4 (121)	5-1/2 (140)	10-9/16 (268)	11-9/16 (294)	13-5/8 (346)	14-7/16 (367)	9 (229)	5-5/8 (143)	NOTE 10
2-1/2	2-1/2	9	10 (254)	4 (102)	5-7/8 (149)	6-5/8 (168)	10-1/2 (267)	11-1/2 (292)	13-9/16 (344)	14-3/8 (365)	10 (254)	5-5/8 (143)	NOTE 10
3	3	7A, B	9-1/2 (241)	5 (127)	5-3/16 (132)	6-1/8 (193)	11-5/8 (295)	12-5/8 (321)	14-11/16 (373)	15-1/2 (394)	9-1/2 (241)	6-1/4 (159)	NOTE 10
3	3	9A	11 (279)	4-1/2 (114)	6 (152)	6-3/4 (171)	11-3/8 (289)	12-3/8 (314)	14-7/16 (367)	15-1/4 (387)	11 (279)	6-1/4 (159)	NOTE 10
3	3	9B	11 (279)	5 (127)	6-1/4 (159)	7-1/8 (181)	11-1/2 (292)	12-1/2 (318)	14-9/16 (370)	15-3/8 (391)	11 (279)	6-1/2 (165)	NOTE 8
3	4	9	11 (279)	4-1/2 (114)	5-3/4 (146)	6-1/2 (165)	10-7/8 (276)	11-7/8 (302)	13-15/16 (354)	14-3/4 (375)	11 (279)	5-7/8 (149)	NOTE 10
3	3	12	14 (356)	5 (127)	7-11/16 (195)	8-1/4 (210)	11-1/2 (292)	12-1/2 (318)	N/A	15-3/8 (391)	12 (305)	6-1/2 (165)	NOTE 8
4	4	7A, B	11 (279)	6 (152)	5-9/16 (141)	7-5/16 (186)	12-3/4 (324)	13-3/4 (349)	15-13/16 (402)	16-5/8 (422)	11 (279)	7-1/4 (184)	NOTE 10
4	4	9A, B	11 (279)	6 (152)	6-3/16 (157)	7-5/16 (186)	12-3/8 (314)	13-3/8 (340)	15-7/16 (392)	16-1/4 (413)	11 (279)	7-1/4 (184)	NOTE 8

NOTES:

- All dimensions in inches and (mm).
- Dimensions may vary ± 1/4" (6).
- Not for construction purposes unless certified.
- N/A = not applicable.
- Conduit box is shown in approximate location. Dimensions are not specified as they vary with each motor manufacturer.
- Suction and discharge flanges - 125# ANSI Standard flat face.
- Dimension BW is clearance required for servicing.
- Normally not tapped. Optionally available [4] 5/8" UNC taps matching 4"-125# flange drilling (7.5" bolt circle).
- Tapped [4] 5/8" UNC taps matching 2"-125# flange (4.75" bolt circle).
- Tapped [4] 5/8" UNC taps matching 3"-125# flange (6.0" bolt circle).
- Tapped [4] 5/8" UNC taps matching 4"-125# flange (7.5" bolt circle).
- Tapped [4] 3/4" UNC taps matching 6"-125# flange (9.5" bolt circle).

JM and JP Motor Frames



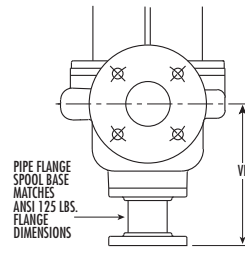
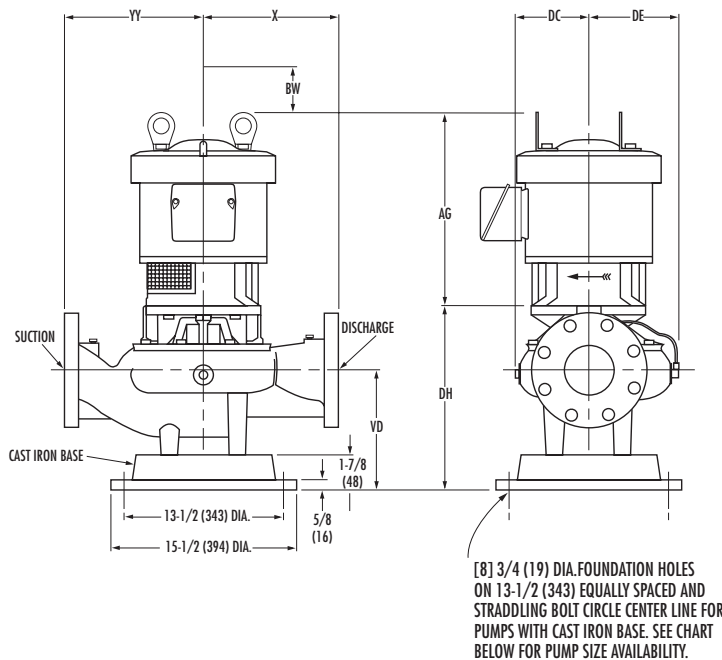
FRAME	AG APPROX.	
	O.D.P.	T.E.F.C. EXP. PR.
143	10	12
145	11	13
182	12	14
184	15	17
213	17	19
215	17	19
254	21	23
256	21	23
284	22	24
286	22	24
324	24	26
326	24	26
364TCZ	26	27
365TCZ	26	27
404TCZ	30	31
405TCZ	30	31
444TCZ	32	33
445TCZ	32	33

PUMP SIZE			X	BW (MIN)	DC	DE	DH(JM)			DH(JP)		YY	VD	CASING FEET TAPPING
DISCHARGE	SUCTION	CASE BORE					143JM THRU 215JM	254JM THRU 326JM	3645TCZ THRU 445TCZ	143JP THRU 184JP	213JP THRU 326JP			
4	5	9	11 (279)	4-1/2 (114)	6 (152)	7-1/8 (181)	12-1/8 (308)	13-1/8 (333)	-	15-3/16 (386)	15-3/4 (400)	11 (279)	7 (178)	NOTE 10
4	4	11	13 (330)	5 (127)	7-1/8 (181)	8-1/4 (210)	12-13/16 (325)	13-13/16 (351)	-	-	16-1/2 (419)	13 (330)	7-5/8 (194)	NOTE 11
4	4	12	13 (330)	4-1/2 (114)	7-7/8 (200)	8-3/4 (222)	12-1/4 (311)	13-1/4 (337)	-	-	15-7/8 (403)	13 (330)	7 (178)	NOTE 11
5	5	9	14 (356)	4-3/4 (121)	7-1/8 (181)	8-1/2 (216)	13 (330)	14 (356)	-	16-1/16 (408)	16-7/8 (429)	14 (356)	7-5/8 (194)	NOTE 11
5	5	11	14 (356)	4-1/2 (114)	7-3/8 (187)	8-7/8 (225)	14 (356)	15 (381)	-	-	17-5/8 (448)	14 (356)	8-5/8 (219)	NOTE 11
5	5	12	15 (381)	4-3/4 (121)	8-1/4 (210)	9-1/2 (241)	13-1/2 (343)	14-1/2 (368)	-	-	17-1/8 (435)	15 (381)	8 (203)	NOTE 11
6	6	9	15 (381)	5-1/4 (133)	7 (178)	9 (229)	13-1/2 (343)	14-1/2 (368)	-	16-9/16 (421)	17-3/8 (441)	15 (381)	8 (203)	NOTE 11
6	6	11	15 (381)	6 (152)	8 (203)	10 (254)	15 (381)	16 (406)	-	-	18-5/8 (473)	15 (381)	9-1/4 (235)	NOTE 11
6	6	12	15 (381)	5-1/2 (140)	8-3/8 (213)	10 (254)	14-1/2 (368)	15-1/2 (387)	-	-	18-1/8 (460)	15 (381)	8-3/4 (222)	NOTE 11
8	8	11	18 (457)	6 (152)	8-3/4 (222)	10-7/8 (276)	15-5/8 (397)	16-5/8 (422)	-	-	19-1/4 (489)	18 (457)	9-5/8 (244)	NOTE 11
8	8	12	18 (457)	6 (152)	8-3/4 (222)	10-7/8 (276)	15-5/8 (397)	16-5/8 (422)	-	-	19-1/4 (489)	18 (457)	9-5/8 (244)	NOTE 11
8	8	15	22-1/2 (572)	13 (330)	10-3/8 (263)	12-15/16 (328)	-	-	20-7/8 (530)	-	-	22-1/2 (572)	12-1/8 (308)	NOTE 12
10	10	15	25 (635)	13 (330)	11 (279)	14-3/8 (365)	-	-	22-1/4 (565)	-	-	25 (635)	13-9/16 (344)	NOTE 12

NOTES:

- All dimensions in inches and (mm).
- Dimensions may vary ± 1/4" (6).
- Not for construction purposes unless certified.
- N/A = not applicable.
- Conduit box is shown in approximate location. Dimensions are not specified as they vary with each motor manufacturer.
- Suction and discharge flanges - 125# ANSI Standard flat face.
- Dimension BW is clearance required for servicing.
- Normally not tapped. Optionally available [4] 5/8" UNC taps matching 4"-125# flange drilling (7.5" bolt circle).
- Tapped [4] 5/8" UNC taps matching 2"-125# flange (4.75" bolt circle).
- Tapped [4] 5/8" UNC taps matching 3"-125# flange (6.0" bolt circle).
- Tapped [4] 5/8" UNC taps matching 4"-125# flange (7.5" bolt circle).
- Tapped [4] 3/4" UNC taps matching 6"-125# flange (9.5" bolt circle).

AURORA® MODEL 382A PUMPS
 ON OPTIONAL BASES
 MOTOR FRAME
 143JM THRU 326JM
 WITH SPLIT SEAL OPTION (143JP/326JP)



JM and JP Motor Frames

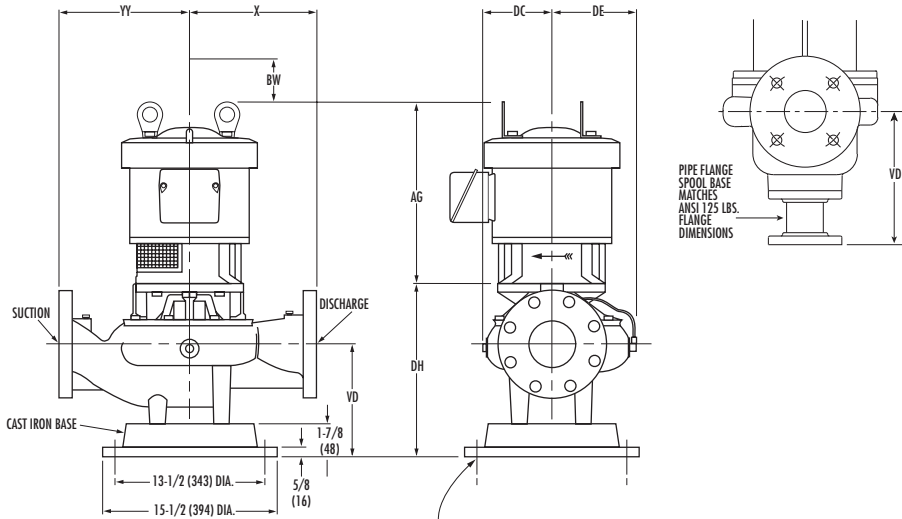
FRAME	AG APPROX.	
	O.D.P.	T.E.F.C. EXP. PR.
143	10	12
145	11	13
182	12	14
184	15	17
213	17	19
215	17	19
254	21	23
256	21	23
284	22	24
286	22	24
324	24	26
326	24	26

PUMP SIZE			X	BW (MIN)	DC	DE	DH(JM)		DH(JP)		YY	VD	BASE OR SUPPORT TYPE
DISCHARGE	SUCTION	CASE BORE					143JM THRU 215JM	254JM THRU 326JM	143JP THRU 184JP	213JP THRU 326JP			
1-1/2	1-1/2	9B	9-1/2 (241)	4 (102)	5-3/4 (146)	6-1/8 (193)	11-7/8 (302)	N/A	14-15/16 (379)	N/A	9-1/2 (241)	7-1/8 (181)	CAST IRON BASE
2	2	7	8 (203)	3-1/2 (89)	4-1/2 (114)	5-1/8 (130)	13-13/16 (351)	N/A	16-7/8 (429)	N/A	8 (203)	9 (229)	2" PIPE FLANGE
2	2	9A, B	9-1/2 (241)	4-1/2 (114)	5-7/8 (149)	6-3/8 (162)	11-7/8 (302)	N/A	14-15/16 (379)	15-15/16 (405)	9-1/2 (241)	7-1/8 (181)	CAST IRON BASE
2	2	9C	9-1/2 (241)	4-1/2 (114)	5-7/8 (149)	6-3/8 (162)	13-9/16 (394)	14-9/16 (370)	16-5/8 (422)	17-5/8 (448)	9-1/2 (241)	9-1/4 (235)	2" PIPE FLANGE
2	2	12	12 (305)	5 (127)	7-5/8 (194)	8 (203)	12 (305)	13 (330)	N/A	16-1/16 (408)	12 (605)	7-1/8 (181)	CAST IRON BASE
2-1/2	2-1/2	7	9 (229)	3-1/2 (89)	4-3/4 (121)	5-1/2 (140)	14-9/16 (370)	15-9/16 (395)	17-5/8 (448)	18-5/8 (473)	9 (229)	9-5/8 (244)	3" PIPE FLANGE
2-1/2	2-1/2	9	10 (254)	4 (102)	5-7/8 (149)	6-5/8 (168)	14-1/2 (368)	15-1/2 (394)	17-9/16 (446)	18-9/16 (471)	10 (254)	9-5/8 (244)	3" PIPE FLANGE
3	3	7A, B	9-1/2 (241)	5 (127)	5-3/16 (132)	6-1/8 (193)	15-5/8 (397)	16-5/8 (422)	16-7/16 (418)	17-7/16 (443)	9-1/2 (241)	10-1/4 (260)	3" PIPE FLANGE
3	3	9A	11 (279)	4-1/2 (114)	6 (152)	6-3/4 (171)	15-3/8 (391)	16-3/8 (416)	18-7/16 (468)	19-7/16 (494)	11 (279)	10-1/4 (260)	3" PIPE FLANGE
3	3	9B	11 (279)	5 (127)	6-1/4 (159)	7-1/8 (181)	13-3/8 (340)	14-3/8 (365)	16-7/16 (418)	17-7/16 (443)	11 (279)	8-1/8 (206)	CAST IRON BASE
3	4	9	11 (279)	4-1/2 (114)	5-3/4 (146)	6-1/2 (165)	14-7/8 (378)	15-7/8 (403)	17-15/16 (456)	18-15/16 (481)	11 (279)	9-7/8 (251)	3" PIPE FLANGE
3	3	12	14 (356)	5 (127)	7-11/16 (195)	8-1/4 (210)	13-3/8 (340)	14-3/8 (365)	N/A	17-7/16 (443)	12 (305)	8-1/8 (206)	CAST IRON BASE
4	4	7A, B	11 (279)	6 (152)	5-9/16 (141)	7-5/16 (186)	16-3/4 (425)	17-3/4 (451)	19-13/16 (503)	20-13/16 (529)	11 (279)	11-1/4 (286)	3" PIPE FLANGE
4	4	9A, B	11 (279)	6 (152)	6-3/16 (157)	7-5/16 (186)	14-1/4 (362)	15-1/4 (387)	17-5/16 (440)	18-5/16 (462)	11 (279)	9-1/8 (232)	CAST IRON BASE

NOTES:

- All dimensions in inches and (mm).
- Dimensions may vary ± 1/4" (6).
- Not for construction purposes unless certified.
- N/A = not applicable.
- Conduit box is shown in approximate location. Dimensions are not specified as they vary with each motor manufacturer.
- Suction and discharge flanges - 125# ANSI Standard flat face.
- Dimension BW is clearance required for servicing.

AURORA® MODEL 382A PUMPS
ON OPTIONAL BASES
MOTOR FRAME
143JM THRU 445TCZ
WITH SPLIT SEAL OPTION (143JP/326JP)



[8] 3/4 (19) DIA. FOUNDATION HOLES ON 13-1/2 (343) EQUALLY SPACED AND STRADDLING BOLT CIRCLE CENTER LINE FOR PUMPS WITH CAST IRON BASE. SEE CHART BELOW FOR PUMP SIZE AVAILABILITY.

JM and JP Motor Frames

FRAME	AG APPROX.	
	O.D.P.	T.E.F.C. EXP. PR.
143	10	12
145	11	13
182	12	14
184	15	17
213	17	19
215	17	19
254	21	23
256	21	23
284	22	24
286	22	24
324	24	26
326	24	26
364TCZ	26	27
365TCZ	26	27
404TCZ	30	31
405TCZ	30	31
444TCZ	32	33
445TCZ	32	33

PUMP SIZE			X	BW (MIN)	DC	DE	DH(JM)			DH(JP)		YY	VD	BASE OR SUPPORT TYPE
DISCHARGE	SUCTION	CASE BORE					143JM THRU 215JM	254JM THRU 326JM	365TCZ THRU 445TCZ	143JP THRU 184JP	213JP THRU 326JP			
4	5	9	11 (279)	4-1/2 (114)	6 (152)	7-1/8 (181)	16-1/8 (410)	17-1/8 (435)	-	19 (483)	20 (508)	11 (279)	11 (279)	3" PIPE FLANGE
4	4	11	13 (330)	5 (127)	7-1/8 (181)	8-1/4 (210)	17-13/16 (452)	18-13/16 (478)	-	-	21-11/16 (551)	13 (330)	12-5/8 (321)	4" PIPE FLANGE
4	4	12	13 (330)	4-1/2 (114)	7-7/8 (220)	8-3/4 (222)	17-1/4 (438)	18-1/4 (463)	-	-	21-1/8 (537)	13 (330)	12 (305)	4" PIPE FLANGE
5	5	9	14 (356)	4-3/4 (121)	7-1/8 (181)	8-1/2 (216)	18 (457)	19 (482)	-	21-1/16 (535)	21-7/8 (556)	14 (356)	12-5/8 (321)	4" PIPE FLANGE
5	5	11	14 (356)	4-1/2 (114)	7-3/8 (187)	8-7/8 (225)	19 (482)	20 (508)	-	-	22-7/8 (581)	14 (356)	13-5/8 (346)	4" PIPE FLANGE
5	5	12	15 (381)	4-3/4 (121)	8-1/4 (210)	9-1/2 (241)	18-1/2 (470)	19-1/2 (495)	-	-	22-3/8 (568)	15 (381)	13 (330)	4" PIPE FLANGE
6	6	9	15 (381)	5-1/4 (133)	7 (178)	9 (229)	18-1/2 (470)	19-1/2 (495)	-	21-9/16 (548)	22-3/8 (568)	15 (381)	13 (330)	4" PIPE FLANGE
6	6	11	15 (381)	6 (152)	8 (203)	10 (254)	20 (508)	21 (533)	-	-	23-5/8 (600)	15 (381)	14-1/4 (362)	4" PIPE FLANGE
6	6	12	15 (381)	5-1/2 (140)	8-3/8 (213)	10 (254)	19-1/2 (495)	20-1/2 (521)	-	-	23-1/8 (587)	15 (381)	13-3/4 (349)	4" PIPE FLANGE
8	8	11	18 (457)	6 (152)	8-3/4 (222)	10-7/8 (276)	20-5/8 (524)	21-5/8 (549)	-	-	24-1/4 (616)	18 (457)	14-5/8 (371)	4" PIPE FLANGE
8	8	12	18 (457)	6 (152)	8-3/4 (222)	10-7/8 (276)	20-5/8 (524)	21-5/8 (549)	-	-	24-1/4 (616)	18 (457)	14-5/8 (371)	4" PIPE FLANGE
8	8	15	22-1/2 (572)	13 (330)	10.34 (263)	12.91 (328)	-	-	26-7/8 (683)	-	-	22-1/2 (572)	18-1/8 (460)	6" PIPE FLANGE
10	10	15	25 (635)	13 (330)	11 (279)	14.38 (365)	-	-	28-1/4 (718)	-	-	25 (635)	19-9/16 (497)	6" PIPE FLANGE

NOTES:

- All dimensions in inches and (mm).
- Dimensions may vary ± 1/4" (6).
- Not for construction purposes unless certified.
- N/A = not applicable.
- Conduit box is shown in approximate location.
- Dimensions are not specified as they vary with each motor manufacturer.
- Suction and discharge flanges - 125# ANSI Standard flat face.
- Dimension BW is clearance required for servicing.