

AURORA® MODEL 382B-SC PUMPS

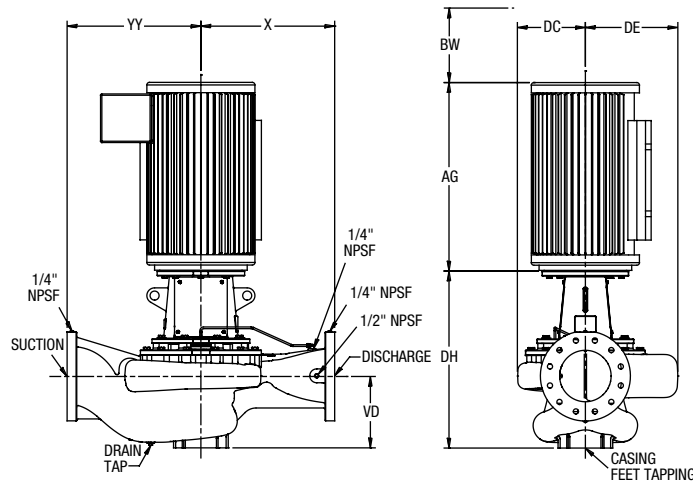
MOTOR FRAME 250 TC TO 440 TC SINGLE SUCTION PUMP – SPOOL BASE

Section **380** Page **209**

Date **AUGUST 2017**

Supersedes Section 380 Page 209

Dated June 2015



FRAME	256 TC	286 TC	324 TC	326 TC	364 TC	365 TC	404 TC	405 TC	444 TC	445 TC	447 TC	449 TC	
AG	ODP	22.00 (559)	23.00 (584)	23.00 (584)	23.00 (584)	25.00 (635)	25.00 (635)	28.00 (711)	28.00 (711)	33.00 (838)	35.00 (889)	38.00 (965)	40.00 (1016)
	TEFC	25.00 (635)	27.00 (686)	28.00 (711)	29.00 (737)	35.00 (889)	35.00 (889)	36.00 (914)	36.00 (914)	38.00 (965)	38.00 (965)	41.00 (1041)	49.00 (1245)

Pump Size	Frame	X	DC	DE	DH	YY	VD	BW		Pump Weight (Excluding motor)	Casing Feet Tapping	Drain Tap (NPSF)
								Minimum	Recommended			
8x8x13.5	250 TC	21.50 (546)	9.93 (252)	13.74 (349)	34.31 (871)	20.50 (521)	16.96 (430)	4.50 (114)	8.00 (203)	1389 (630)	6" Flange	1/2"
8x8x13.5	280 TC	21.50 (546)	9.93 (252)	13.74 (349)	34.31 (871)	20.50 (521)	16.96 (430)	5.00 (127)	8.00 (203)	1389 (630)	6" Flange	1/2"
8x8x13.5	320 TC	21.50 (546)	9.93 (252)	13.74 (349)	34.31 (871)	20.50 (521)	16.96 (430)	5.50 (140)	8.00 (203)	1391 (631)	6" Flange	1/2"
8x8x13.5	360 TC	21.50 (546)	9.93 (252)	13.74 (349)	39.34 (999)	20.50 (521)	16.96 (430)	6.00 (152)	8.00 (203)	1504 (682)	6" Flange	1/2"
8x8x13.5	400 TC	21.50 (546)	9.93 (252)	13.74 (349)	39.34 (999)	20.50 (521)	16.96 (430)	7.50 (191)	8.00 (203)	1498 (680)	6" Flange	1/2"
8x8x13.5	440 TC	21.50 (546)	9.93 (252)	13.74 (349)	39.34 (999)	20.50 (521)	16.96 (430)	8.50 (216)	9.00 (229)	1514 (687)	6" Flange	1/2"
10x10x13.5	250 TC	23.00 (584)	10.52 (267)	15.67 (398)	35.06 (891)	24.50 (622)	17.88 (454)	4.50 (114)	8.00 (203)	1696 (769)	6" Flange	1/2"
10x10x13.5	280 TC	23.00 (584)	10.52 (267)	15.67 (398)	35.06 (891)	24.50 (622)	17.88 (454)	5.00 (127)	8.00 (203)	1696 (769)	6" Flange	1/2"
10x10x13.5	320 TC	23.00 (584)	10.52 (267)	15.67 (398)	35.06 (891)	24.50 (622)	17.88 (454)	5.50 (140)	8.00 (203)	1698 (770)	6" Flange	1/2"
10x10x13.5	360 TC	23.00 (584)	10.52 (267)	15.67 (398)	40.09 (1018)	24.50 (622)	17.88 (454)	6.50 (165)	8.00 (203)	1813 (822)	6" Flange	1/2"
10x10x13.5	400 TC	23.00 (584)	10.52 (267)	15.67 (398)	40.09 (1018)	24.50 (622)	17.88 (454)	8.00 (203)	8.00 (203)	1807 (820)	6" Flange	1/2"
10x10x13.5	440 TC	23.00 (584)	10.52 (267)	15.67 (398)	40.09 (1018)	24.50 (622)	17.88 (454)	9.00 (229)	9.00 (229)	1823 (827)	6" Flange	1/2"

NOTES:

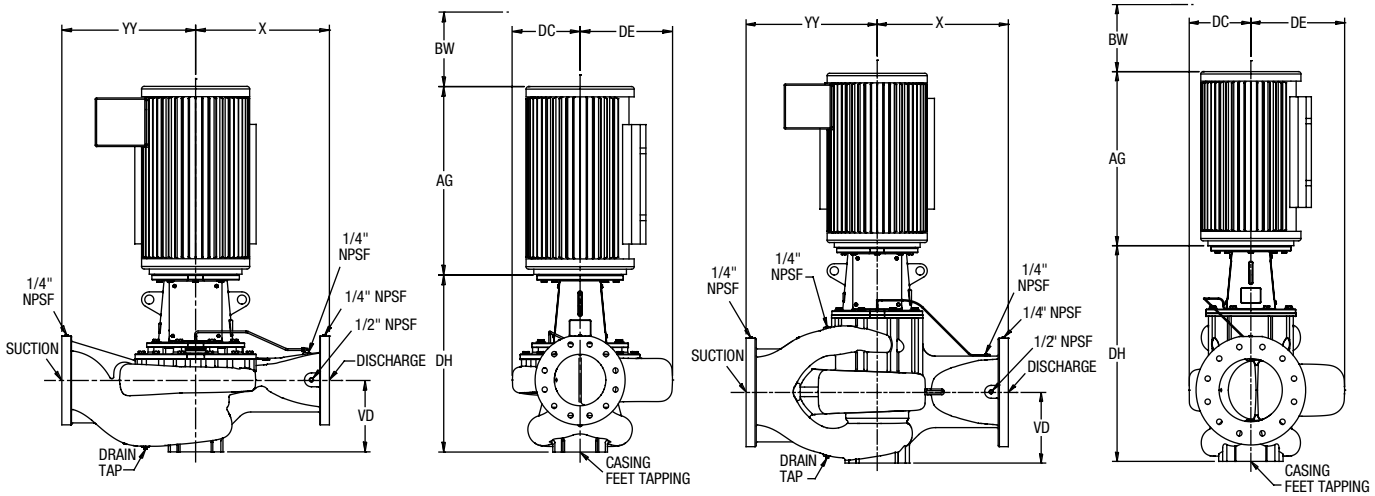
1. BW Minimum – Minimum height needed to remove motor, and then disassemble pump.
2. BW Recommended – Height needed to remove motor, motor bracket and impeller as one assembly.
3. All dimensions in inches and (mm).
4. Dimensions may vary ± 1/4" (6).
5. Not for construction purposes unless certified.
6. N/A = not applicable.
7. Conduit box is shown in approximate location. Dimensions are not specified as they vary with each motor manufacturer.
8. Suction and discharge flanges - 125# ANSI Standard flat face.
9. Optionally available – Suction and discharge flanges – 250# ANSI Standard flat face.

AURORA® MODEL 382B-SC PUMPS

MOTOR FRAME

284 TC TO 5010 SD

SINGLE SUCTION PUMP (10x10x19 ONLY)
OR DOUBLE SUCTION PUMP – NO BASE



DOUBLE SUCTION PUMP

FRAME	286 TC	324 TC	326 TC	364 TC	365 TC	404 TC	405 TC	444 TC	445 TC	447 TC	449 TC	5010 SD
AG ODP	23.00 (584)	23.00 (584)	23.00 (584)	25.00 (635)	25.00 (635)	28.00 (711)	28.00 (711)	33.00 (838)	35.00 (889)	38.00 (965)	40.00 (1016)	51.00 (1295)
AG TEFC	27.00 (686)	28.00 (711)	29.00 (737)	35.00 (889)	35.00 (889)	36.00 (914)	36.00 (914)	38.00 (965)	38.00 (965)	41.00 (1041)	49.00 (1245)	64.00 (1626)

Pump Size	Frame	X	DC	DE	DH	YY	VD	BW		Pump Weight (Excluding Motor)	Casing Feet Tapping	Drain Tap (NPSF)
								Minimum	Recommended			
10x10x14	320 TC	25.00 (635)	10.61 (269)	14.80 (376)	32.24 (819)	25.00 (635)	10.61 (269)	6.00 (152)	15.00 (381)	1104 (501)	8" Flange	1/2"
10x10x14	360 TC	25.00 (635)	10.61 (269)	14.80 (376)	32.86 (835)	25.00 (635)	10.61 (269)	6.50 (165)	15.00 (381)	1106 (502)	8" Flange	1/2"
10x10x14	400 TC	25.00 (635)	10.61 (269)	14.80 (376)	34.24 (870)	25.00 (635)	10.61 (269)	8.00 (203)	15.00 (381)	1111 (504)	8" Flange	1/2"
10x10x14	440 TC	25.00 (635)	10.61 (269)	14.80 (376)	35.49 (902)	25.00 (635)	10.61 (269)	9.00 (229)	15.00 (381)	1124 (510)	8" Flange	1/2"
10x10x19	360 TC	26.00 (660)	13.22 (336)	17.97 (456)	31.65 (804)	26.00 (660)	14.00 (356)	6.50 (165)	9.00 (229)	1088 (494)	8" Flange	1/2"
10x10x19	400 TC	26.00 (660)	13.22 (336)	17.97 (456)	33.03 (839)	26.00 (660)	14.00 (356)	8.00 (203)	9.00 (229)	1093 (496)	8" Flange	1/2"
10x10x19	440 TC	26.00 (660)	13.22 (336)	17.97 (456)	34.28 (871)	26.00 (660)	14.00 (356)	9.00 (229)	9.00 (229)	1096 (497)	8" Flange	1/2"
10x10x19	5010 SD	26.00 (660)	13.22 (336)	17.97 (456)	31.53 (801)	26.00 (660)	14.00 (356)	6.00 (152)	9.00 (229)	1157 (525)	8" Flange	1/2"
12x12x14	280 TC	25.75 (654)	11.33 (288)	17.09 (434)	38.45 (977)	25.75 (654)	14.00 (356)	5.00 (127)	20.00 (508)	1369 (621)	10" Flange	1/2"
12x12x14	320 TC	25.75 (654)	11.33 (288)	17.09 (434)	39.08 (993)	25.75 (654)	14.00 (356)	6.00 (152)	20.00 (508)	1375 (624)	10" Flange	1/2"
12x12x14	360 TC	25.75 (654)	11.33 (288)	17.09 (434)	39.70 (1008)	25.75 (654)	14.00 (356)	6.50 (165)	20.00 (508)	1377 (625)	10" Flange	1/2"
12x12x14	400 TC	25.75 (654)	11.33 (288)	17.09 (434)	41.08 (1043)	25.75 (654)	14.00 (356)	8.00 (203)	20.00 (508)	1382 (627)	10" Flange	1/2"
12x12x14	440 TC	25.75 (654)	11.33 (288)	17.09 (434)	42.33 (1075)	25.75 (654)	14.00 (356)	9.00 (229)	20.00 (508)	1395 (633)	10" Flange	1/2"
12x12x18	360 TC	28.00 (711)	12.84 (326)	18.57 (472)	45.12 (1146)	28.00 (711)	15.94 (405)	6.50 (165)	22.00 (559)	1809 (821)	10" Flange	1/2"
12x12x18	400 TC	28.00 (711)	12.84 (326)	18.57 (472)	46.50 (1181)	28.00 (711)	15.94 (405)	8.00 (203)	22.00 (559)	1814 (822)	10" Flange	1/2"
12x12x18	440 TC	28.00 (711)	12.84 (326)	18.57 (472)	47.75 (1213)	28.00 (711)	15.94 (405)	9.00 (229)	22.00 (559)	1827 (829)	10" Flange	1/2"
12x12x18	5010 SD	28.00 (711)	12.84 (326)	18.57 (472)	45.03 (1144)	28.00 (711)	15.94 (405)	6.00 (152)	22.00 (559)	1878 (852)	10" Flange	1/2"
14x14x15	320 TC	27.50 (699)	12.93 (328)	19.67 (500)	41.75 (1060)	27.50 (699)	14.94 (379)	6.00 (152)	22.00 (559)	1636 (742)	10" Flange	3/4"
14x14x15	360 TC	27.50 (699)	12.93 (328)	19.67 (500)	42.37 (1076)	27.50 (699)	14.94 (379)	6.50 (165)	22.00 (559)	1641 (744)	10" Flange	3/4"
14x14x15	400 TC	27.50 (699)	12.93 (328)	19.67 (500)	43.75 (1111)	27.50 (699)	14.94 (379)	8.00 (203)	22.00 (559)	1700 (771)	10" Flange	3/4"
14x14x15	440 TC	27.50 (699)	12.93 (328)	19.67 (500)	45.00 (1143)	27.50 (699)	14.94 (379)	9.00 (229)	22.00 (559)	1713 (777)	10" Flange	3/4"
14x14x15	5010 SD	27.50 (699)	12.93 (328)	19.67 (500)	42.25 (1073)	27.50 (699)	14.94 (379)	6.00 (152)	22.00 (559)	1748 (793)	10" Flange	3/4"
14x14x18	400 TC	31.00 (787)	13.14 (334)	18.34 (466)	43.00 (1092)	31.00 (787)	14.19 (360)	8.00 (203)	20.00 (508)	1941 (880)	10" Flange	3/4"
14x14x18	440 TC	31.00 (787)	13.14 (334)	18.34 (466)	44.25 (1124)	31.00 (787)	14.19 (360)	9.00 (229)	20.00 (508)	1952 (885)	10" Flange	3/4"
14x14x18	5010 SD	31.00 (787)	13.14 (334)	18.34 (466)	41.50 (1054)	31.00 (787)	14.19 (360)	6.00 (152)	20.00 (508)	1990 (903)	10" Flange	3/4"

NOTES:

1. BW Minimum – Minimum height needed to remove motor, and then disassemble pump.
2. BW Recommended – Height needed to remove motor, motor bracket and impeller as one assembly.
3. All dimensions in inches and (mm).
4. Dimensions may vary ± 1/4" (6).
5. Not for construction purposes unless certified.
6. N/A = not applicable.
7. Conduit box is shown in approximate location. Dimensions are not specified as they vary with each motor manufacturer.
8. Suction and discharge flanges - 125# ANSI Standard flat face.
9. Optionally available – Suction and discharge flanges – 250# ANSI Standard flat face.