

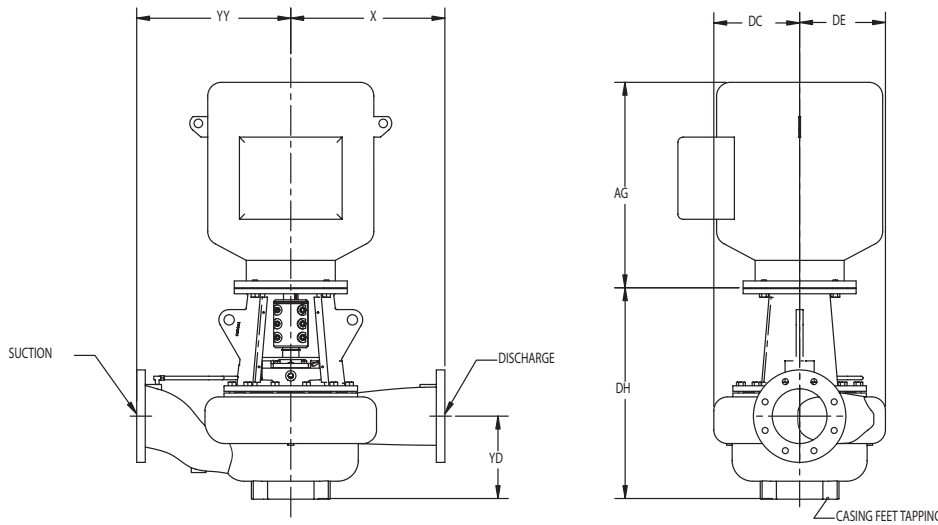
AURORA® MODEL 382A-SC PUMPS

MOTOR FRAME

Date **July 2013**

143 HP THRU 445 HP

Supersedes Section 380 Page 205
Dated December 2005



HP DIMENSION TABLE

FRAME	P	AG
143	8 (203)	11 (279)
145	8 (203)	12 (305)
182	10 (254)	14 (356)
184	10 (254)	15 (381)
213	11 (279)	16 (406)
215	11 (279)	17 (432)
254	13 (330)	20 (508)
256	13 (330)	21 (534)
284	16 (406)	22 (559)
286	16 (406)	23 (584)
324	18 (457)	25 (635)
326	18 (457)	26 (660)
364	21 (534)	25 (635)
365	21 (534)	25 (635)
404	22 (559)	28 (711)
405	22 (559)	28 (711)
444	24 (610)	32 (813)
445	24 (610)	32 (813)

PUMP SIZE			DH							CASING FEET TAPPING
DISCHARGE	SUCTION	CASE BORE	X	DC	DE	143 HP THRU 286 HP	324 HP THRU 445 HP	YY	VD	
1-1/2	1-1/2	9B	9-1/2 (241)	5-3/4 (146)	6-1/8 (156)	17-7/16 (443)	-	9-1/2 (241)	5-1/4 (133)	NOTE 7
2	2	7	8 (203)	4-1/2 (114)	5-1/8 (130)	17-1/4 (438)	-	8 (203)	5 (127)	NOTE 8
2	2	9A, B	9-1/2 (241)	5-7/8 (149)	6-3/8 (162)	17-7/16 (443)	-	9-1/2 (241)	5-1/4 (133)	NOTE 7
2	2	9C	9-1/2 (241)	5-7/8 (149)	6-3/8 (162)	17 (432)	20-3/4 (527)	9-1/2 (241)	5-1/4 (133)	NOTE 8
2	2	12	12 (305)	7-5/8 (194)	8 (203)	19-7/16 (494)	21-3/16 (538)	12 (305)	5-1/4 (133)	NOTE 7
2-1/2	2-1/2	7	9 (229)	4-3/4 (121)	5-1/2 (140)	18 (457)	18 (457)	9 (229)	5-5/8 (143)	NOTE 9
2-1/2	2-1/2	9	10 (254)	5-7/8 (149)	6-5/8 (168)	17-15/16 (456)	21-11/16 (551)	10 (254)	5-5/8 (143)	NOTE 9
3	3	7A, B	9-1/2 (241)	5-3/16 (132)	6-1/8 (156)	19-1/16 (484)	19-1/16 (484)	9-1/2 (241)	6-1/4 (159)	NOTE 9
3	3	9A	11 (279)	6 (152)	6-3/4 (171)	18-13/16 (458)	22-9/16 (573)	11 (279)	6-1/4 (159)	NOTE 9
3	3	9B	11 (279)	6-1/4 (159)	7-1/8 (181)	18-15/16 (481)	22-11/16 (576)	11 (279)	6-1/2 (165)	NOTE 7
3	4	9	11 (279)	5-3/4 (146)	6-1/2 (165)	18-5/16 (465)	22-1/16 (560)	11 (279)	5-7/8 (149)	NOTE 9
3	3	12	14 (356)	7-11/16 (195)	8-1/4 (210)	20-13/16 (529)	22-9/16 (573)	12 (305)	6-1/2 (165)	NOTE 7
4	4	7A, B	11 (279)	5-9/16 (141)	7-5/16 (186)	20-3/16 (513)	20-3/16 (513)	11 (279)	7-1/4 (184)	NOTE 9
4	4	9A, B	11 (279)	6-3/16 (157)	7-5/16 (186)	19-13/16 (503)	23-9/16 (598)	11 (279)	7-1/4 (184)	NOTE 7

NOTES:

- All dimensions in inches and (mm).
- Dimensions may vary ± 1/4" (6).
- Not for construction purposes unless certified.
- N/A = not applicable.
- Conduit box is shown in approximate location. Dimensions are not specified as they vary with each motor manufacturer.
- Suction and discharge flanges - 125# ANSI Standard flat face.
- Normally not tapped. Optionally available [4] 5/8" UNC taps matching 4"-125# flange drilling (7.5" bolt circle).
- Tapped [4] 5/8" UNC taps matching 2"-125# flange (4.75" bolt circle).
- Tapped [4] 5/8" UNC taps matching 3"-125# flange (6.0" bolt circle).
- Tapped [4] 5/8" UNC taps matching 4"-125# flange (7.5" bolt circle).
- Tapped [4] 3/4" UNC taps matching 6"-125# flange (9.5" bolt circle).

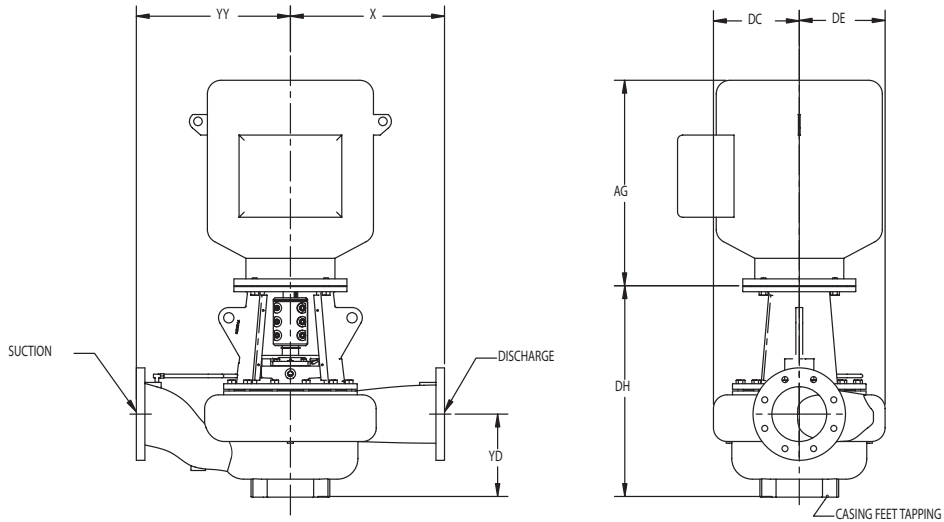
AURORA® MODEL 382A-SC PUMPS

MOTOR FRAME

143 HP THRU 445 HP

HP DIMENSION TABLE

FRAME	P	AG
143	8 (203)	11 (279)
145	8 (203)	12 (305)
182	10 (254)	14 (356)
184	10 (254)	15 (381)
213	11 (279)	16 (406)
215	11 (279)	17 (432)
254	13 (330)	20 (508)
256	13 (330)	21 (534)
284	16 (406)	22 (559)
286	16 (406)	23 (584)
324	18 (457)	25 (635)
326	18 (457)	26 (660)
364	21 (534)	25 (635)
365	21 (534)	25 (635)
404	22 (559)	28 (711)
405	22 (559)	28 (711)
444	24 (610)	32 (813)
445	24 (610)	32 (813)



PUMP SIZE			DH									
DISCHARGE	SUCTION	CASE BORE	X	DC	DE	143 HP THRU 286 HP		324 HP THRU 445 HP		YY	VD	CASING FEET TAPPING
4	5	9	11 (279)	6 (152)	7-1/8 (181)	19-9/16 (497)	23-5/16 (592)	11 (279)	7 (178)			NOTE 9
4	4	11	13 (330)	7-1/8 (181)	8-1/4 (210)	22-5/16 (567)	24-1/16 (611)	13 (330)	7-5/8 (194)			NOTE 10
4	4	12	13 (330)	7-7/8 (200)	8-3/4 (222)	21-9/16 (548)	23-5/16 (592)	13 (330)	7 (178)			NOTE 10
5	5	9	14 (356)	7-1/8 (181)	8-1/2 (216)	20-7/16 (519)	24-3/16 (614)	14 (356)	7-5/8 (194)			NOTE 10
5	5	11	14 (356)	7-3/8 (187)	8-7/8 (225)	23-1/2 (597)	25-1/4 (641)	14 (356)	8-5/8 (219)			NOTE 10
5	5	12	15 (381)	8-1/4 (210)	9-1/2 (241)	22-13/16 (579)	24-9/16 (624)	15 (381)	8 (203)			NOTE 10
6	6	9	15 (381)	7 (178)	9 (229)	20-15/16 (532)	24-11/16 (627)	15 (381)	8 (203)			NOTE 10
6	6	11	15 (381)	8 (203)	10 (254)	24-1/2 (622)	26-1/4 (667)	15 (381)	9-1/4 (235)			NOTE 10
6	6	12	15 (381)	8-3/8 (213)	10 (254)	23-13/16 (605)	25-9/16 (649)	15 (381)	8-3/4 (222)			NOTE 10
8	8	11	18 (457)	8-3/4 (222)	10-7/8 (276)	25-1/8 (638)	26-7/8 (683)	18 (457)	9-5/8 (244)			NOTE 10
8	8	12	18 (457)	8-3/4 (222)	10-7/8 (276)	24-15/16 (633)	26-11/16 (678)	18 (457)	9-5/8 (244)			NOTE 10
8	8	15	22-1/2 (572)	10-3/8 (263)	12-15/16 (328)	31-1/8 (791)	31-1/8 (791)	22-1/2 (572)	12-1/8 (308)			NOTE 11
10	10	15	25 (635)	11 (279)	14-3/8 (365)	32-1/2 (826)	32-1/2 (826)	25 (635)	13-9/16 (344)			NOTE 11

NOTES:

- All dimensions in inches and (mm).
- Dimensions may vary $\pm 1/4"$ (6).
- Not for construction purposes unless certified.
- N/A = not applicable.
- Conduit box is shown in approximate location. Dimensions are not specified as they vary with each motor manufacturer.
- Suction and discharge flanges - 125# ANSI Standard flat face. Normally not tapped. Optionally available [4] 5/8" UNC taps matching 4"-125# flange drilling (7.5" bolt circle).
- Tapped [4] 5/8" UNC taps matching 2"-125# flange (4.75" bolt circle).
- Tapped [4] 5/8" UNC taps matching 3"-125# flange (6.0" bolt circle).
- Tapped [4] 5/8" UNC taps matching 4"-125# flange (7.5" bolt circle).
- Tapped [4] 3/4" UNC taps matching 6"-125# flange (9.5" bolt circle).

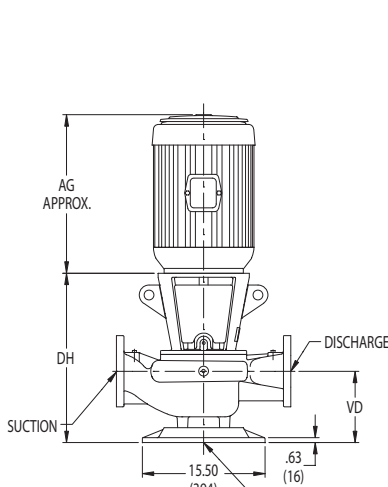
MOTOR FRAME

Date **JULY 2013**

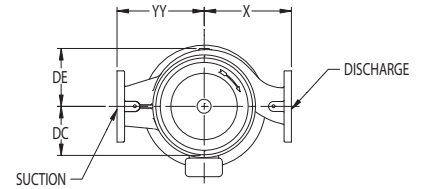
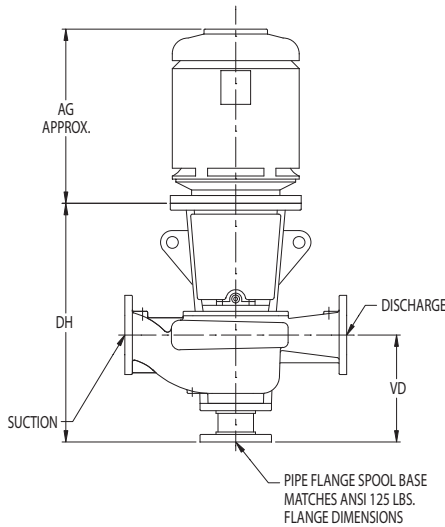
143 HP THRU 445 HP

Supersedes Section 380 Page 207

Dated May 2011



[8] 3/4 (19) DIA. FOUNDATION HOLES ON 13-1/2 (343) EQUALLY SPACED AND STRADDLING BOLT CIRCLE CENTER LINE FOR PUMPS WITH CAST IRON BASE. SEE CHART BELOW FOR PUMP SIZE AVAILABILITY.



HP DIMENSION TABLE

FRAME	P	AG
143	8 (203)	11 (279)
145	8 (203)	12 (305)
182	10 (254)	14 (356)
184	10 (254)	15 (381)
213	11 (279)	16 (406)
215	11 (279)	17 (432)
254	13 (330)	20 (508)
256	13 (330)	21 (534)
284	16 (406)	22 (559)
286	16 (406)	23 (584)
324	18 (457)	25 (635)
326	18 (457)	26 (660)
364	21 (534)	25 (635)
365	21 (534)	25 (635)
404	22 (559)	28 (711)
405	22 (559)	28 (711)
444	24 (610)	32 (813)
445	24 (610)	32 (813)

PUMP SIZE			DH						YY	VD	BASE OR SUPPORT TYPE
DISCHARGE	SUCTION	CASE BORE	X	DC	DE	143 HP THRU 286 HP	324 HP THRU 445 HP				
1-1/2	1-1/2	9B	9-1/2 (241)	5-3/4 (146)	6-1/8 (156)	19-5/16 (491)	-	9-1/2 (241)	7-1/8 (181)	CAST IRON BASE	
2	2	7	8 (203)	4-1/2 (114)	5-1/8 (130)	21-1/4 (540)	-	8 (203)	9 (229)	2" PIPE FLANGE	
2	2	9A, B	9-1/2 (241)	5-7/8 (149)	6-3/8 (162)	19-5/16 (491)	-	9-1/2 (241)	7-1/8 (181)	CAST IRON BASE	
2	2	9C	9-1/2 (241)	5-7/8 (149)	6-3/8 (162)	21 (533)	24-3/4 (629)	9-1/2 (241)	9-1/4 (235)	2" PIPE FLANGE	
2	2	12	12 (305)	7-5/8 (194)	8 (203)	21-5/16 (541)	23-1/16 (586)	12 (305)	7-1/8 (181)	CAST IRON BASE	
2-1/2	2-1/2	7	9 (229)	4-3/4 (121)	5-1/2 (140)	22 (559)	22 (559)	9 (229)	9-5/8 (244)	3" PIPE FLANGE	
2-1/2	2-1/2	9	10 (254)	5-7/8 (149)	6-5/8 (168)	21-15/16 (557)	25-11/16 (652)	10 (254)	9-5/8 (244)	3" PIPE FLANGE	
3	3	7A, B	9-1/2 (241)	5-3/16 (132)	6-1/8 (156)	23-1/16 (586)	23-1/16 (586)	9-1/2 (241)	10-1/4 (260)	3" PIPE FLANGE	
3	3	9A	11 (279)	6 (152)	6-3/4 (171)	22-13/16 (579)	26-9/16 (675)	11 (279)	10-1/4 (260)	3" PIPE FLANGE	
3	3	9B	11 (279)	6-1/4 (159)	7-1/8 (181)	20-13/16 (529)	24-9/16 (624)	11 (279)	8-1/8 (206)	CAST IRON BASE	
3	4	9	11 (279)	5-3/4 (146)	6-1/2 (165)	22-5/16 (567)	26-1/16 (662)	11 (279)	9-7/8 (251)	3" PIPE FLANGE	
3	3	12	14 (356)	7-11/16 (195)	8-1/4 (210)	22-11/16 (576)	24-7/16 (621)	12 (305)	8-1/8 (206)	CAST IRON BASE	
4	4	7A, B	11 (279)	5-9/16 (141)	7-5/16 (186)	24-3/16 (614)	24-3/16 (614)	11 (279)	11-1/4 (286)	3" PIPE FLANGE	
4	4	9A, B	11 (279)	6-3/16 (157)	7-5/16 (186)	21-11/16 (576)	25-7/16 (646)	11 (279)	9-1/8 (232)	CAST IRON BASE	

NOTES:

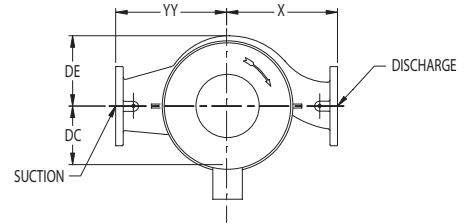
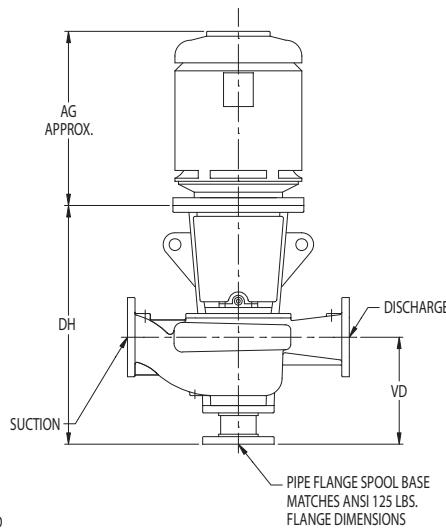
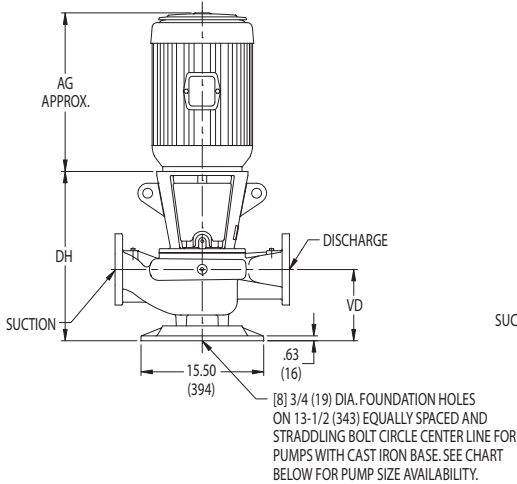
- All dimensions in inches and (mm).
- Dimensions may vary ± 1/4" (6).
- Not for construction purposes unless certified.
- N/A = not applicable.
- Conduit box is shown in approximate location. Dimensions are not specified as they vary with each motor manufacturer.
- Suction and discharge flanges - 125# ANSI Standard flat face.

MOTOR FRAME

143 HP THRU 445 HP

Supersedes Section 380 Page 208

Dated May 2011



HP DIMENSION TABLE

FRAME	P	AG
143	8 (203)	11 (279)
145	8 (203)	12 (305)
182	10 (254)	14 (356)
184	10 (254)	15 (381)
213	11 (279)	16 (406)
215	11 (279)	17 (432)
254	13 (330)	20 (508)
256	13 (330)	21 (534)
284	16 (406)	22 (559)
286	16 (406)	23 (584)
324	18 (457)	25 (635)
326	18 (457)	26 (660)
364	21 (534)	25 (635)
365	21 (534)	25 (635)
404	22 (559)	28 (711)
405	22 (559)	28 (711)
444	24 (610)	32 (813)
445	24 (610)	32 (813)

PUMP SIZE			DH							CASING FEET TAPPING
DISCHARGE	SUCTION	CASE BORE	X	DC	DE	143 HP THRU 286 HP	324 HP THRU 445 HP	YY	VD	
4	5	9	11 (279)	6 (152)	7-1/8 (181)	23-9/16 (598)	27-5/16 (694)	11 (279)	11 (279)	3" PIPE FLANGE
4	4	11	13 (330)	7-1/8 (181)	8-1/4 (210)	27-5/16 (694)	29-1/16 (738)	13 (330)	12-5/8 (321)	4" PIPE FLANGE
4	4	12	13 (330)	7-7/8 (200)	8-3/4 (222)	26-9/16 (675)	28-5/16 (719)	13 (330)	12 (305)	4" PIPE FLANGE
5	5	9	14 (356)	7-1/8 (181)	8-1/2 (216)	25-7/16 (646)	29-3/16 (741)	14 (356)	12-5/8 (321)	4" PIPE FLANGE
5	5	11	14 (356)	7-3/8 (187)	8-7/8 (225)	28-1/2 (724)	30-1/4 (768)	14 (356)	13-5/8 (346)	4" PIPE FLANGE
5	5	12	15 (381)	8-1/4 (210)	9-1/2 (241)	27-13/16 (706)	29-9/16 (751)	15 (381)	13 (330)	4" PIPE FLANGE
6	6	9	15 (381)	7 (178)	9 (229)	25-15/16 (659)	29-11/16 (754)	15 (381)	13 (330)	4" PIPE FLANGE
6	6	11	15 (381)	8 (203)	10 (254)	29-1/2 (749)	31-1/4 (794)	15 (381)	14-1/4 (362)	4" PIPE FLANGE
6	6	12	15 (381)	8-3/8 (213)	10 (254)	28-13/16 (732)	30-9/16 (776)	15 (381)	13-3/4 (349)	4" PIPE FLANGE
8	8	11	18 (457)	8-3/4 (222)	10-7/8 (276)	30-1/8 (765)	31-7/8 (810)	18 (457)	14-5/8 (371)	4" PIPE FLANGE
8	8	12	18 (457)	8-3/4 (222)	10-7/8 (276)	29-15/16 (760)	31-11/16 (805)	18 (457)	14-5/8 (371)	4" PIPE FLANGE
8	8	15	22-1/2 (572)	10.34 (263)	12.91 (328)	37-1/8 (943)	37-1/8 (943)	22-1/2 (572)	18-1/8 (460)	6" PIPE FLANGE
10	10	15	25 (635)	11 (279)	14.38 (365)	38-1/2 (978)	38-1/2 (978)	25 (635)	19-9/16 (497)	6" PIPE FLANGE

NOTES:

- All dimensions in inches and (mm).
- Dimensions may vary ± 1/4" (6).
- Not for construction purposes unless certified.
- N/A = not applicable.
- Conduit box is shown in approximate location. Dimensions are not specified as they vary with each motor manufacturer.
- Suction and discharge flanges - 125# ANSI Standard flat face.