

AURORA® EDWARDS SERIES PRESSURE RELIEF VALVE

Edwards Pressure Relief Valve

- Approved specifically for UL-Listed/FM-Approved Edwards positive displacement foam concentrate pumps
- Tested to UL 448C standards
- FM approved per 1313/1359 standards
- Available in a broad range of pressures and flows

Approved Performance Ratings

Valve Size (inlet x outlet)	Set Pressure Range (psi)	Rated Flow at 125% Set Pressure (GPM)
3/4" x 3/4"	43 - 330	22 - 65
1" x 1-1/2"	43 - 330	62 - 180
1-1/2" x 2"	43 - 330	102 - 295
2" x 2-1/2"	43 - 330	160 - 460
2" x 3"	43 - 330	209 - 600

Factory Set and Tested for Superior Performance

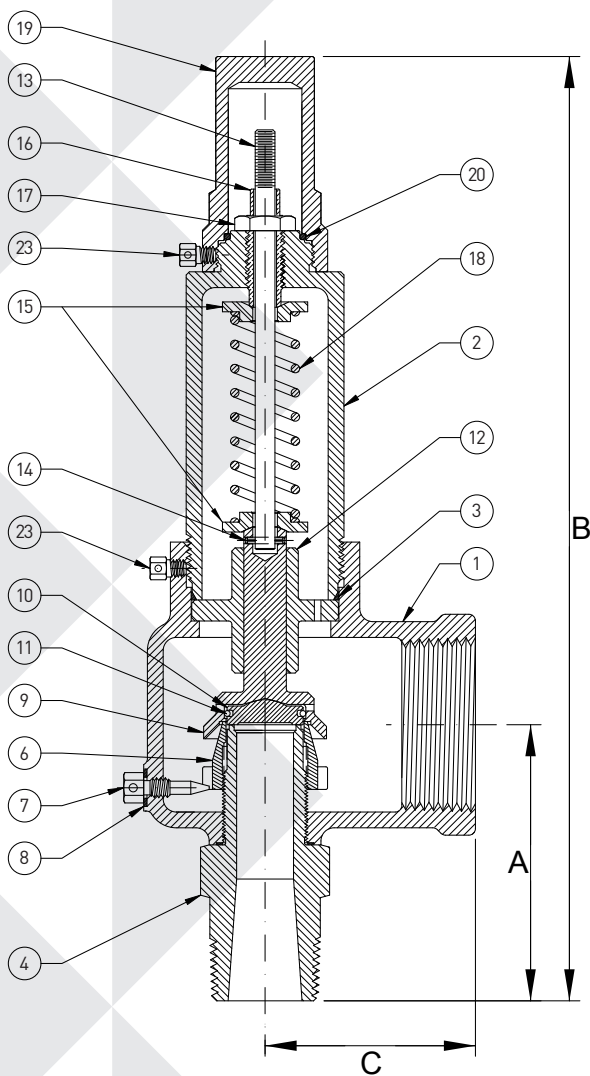
- Set at 10% above the design pressure of the pump
- Tested for leak-free performance at 85% of set pressure
- Reseat pressure calibrated at 90% of set pressure
- No field adjustment allowed



AURORA[®] EDWARDS SERIES PRESSURE RELIEF VALVE

Dimensions

Item	Description	Available Sizes				
		3/4"x 3/4"	1"x1-1/2"	1-1/2" x 2"	2"x 2-1/2"	2" x 3"
A	Base to Outlet Height	2.38"	2.83"	3.25"	3.50"	4.00"
B	Overall Height	7.54"	10.25"	13.26"	15.07"	17.00"
C	Valve Center to Outlet	1.63"	2.38"	2.68"	2.75"	3.25"



Materials of Construction

Item	Component	Material
1	Body	Bronze, ASTM B584
2	Bonnet	Brass/Bronze ASTM B16/8584
3	Bonnet Seal	PTFE
4	Nozzle	Brass, ASTM B16
5	Nozzle Seal	PTFE
6	Nozzle Ring	Stainless Steel ASTM A351-CF8M
7	Set Screw	Brass, ASTM B16
8	Set Screw Seal	PTFE
9	Disc Holder	Brass, ASTM B16
10	Disc Holder	Stainless Steel ASTM A479
11	Retaining Ring	Stainless Steel
12	Guide	Brass, ASTM B16
13	Stem	Stainless Steel ASTM A479
14	Spring Pin	Stainless Steel
15	Spring Washer	Brass ASTM B16
16	Adjusting Bolt	Brass ASTM B16
17	Lock Nut	Brass ASTM B16
18	Spring	Stainless Steel
19	Cap	Brass ASTM B16
20	O-Ring	Viton
	Nameplate	Stainless Steel
	Drive Screw	Stainless Steel
23	Set Screw	Stainless Steel ASTM A479
	Wire Seal	Stainless Steel/Lead
	Plug	Brass



800 AIRPORT ROAD, NORTH AURORA, ILLINOIS 60542 USA WWW.AURORAPUMP.COM
PH: 888-987-8680

Because we are continuously improving our products and services, Pentair reserves the right to change specifications without prior notice.