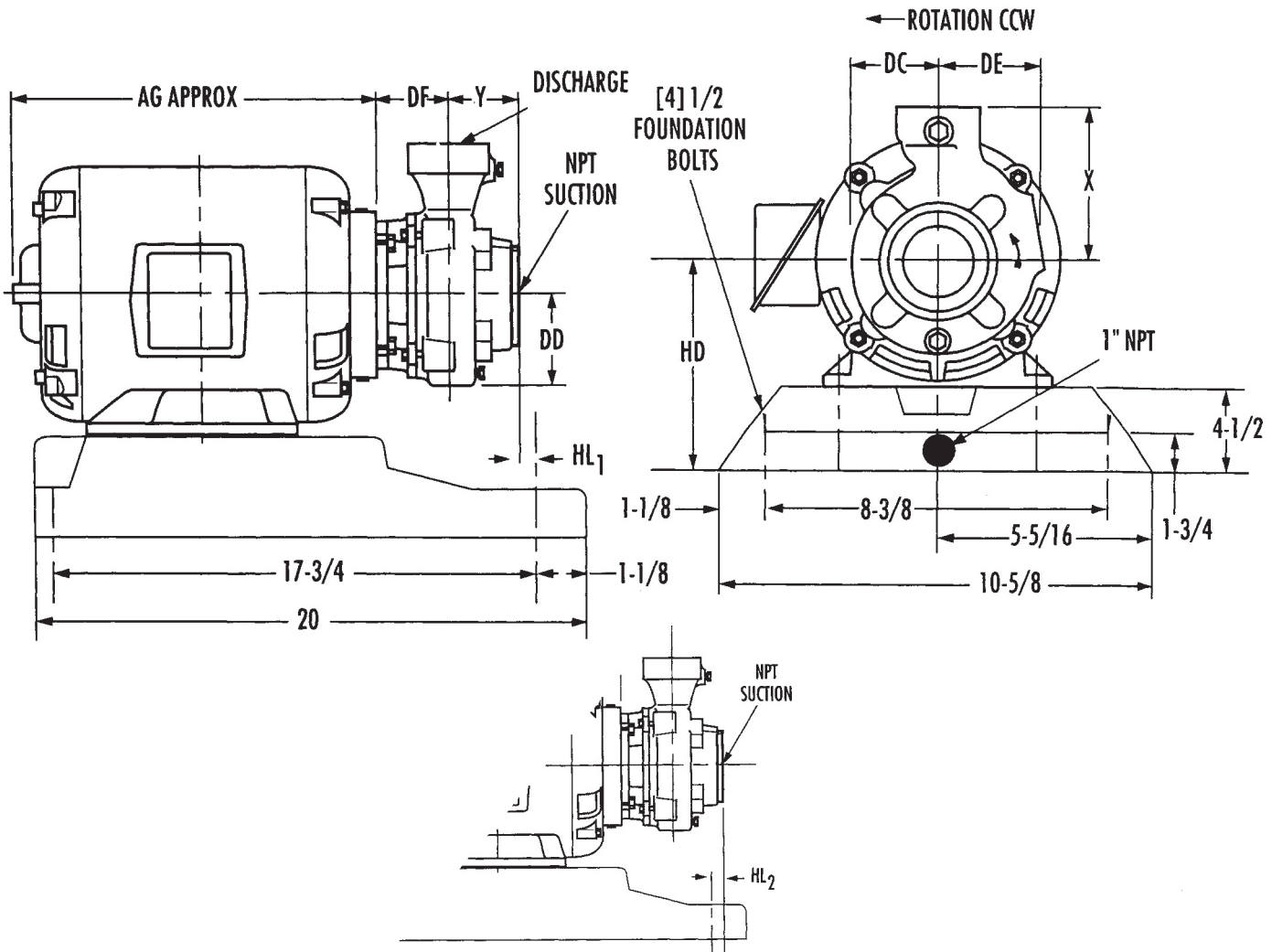


# AURORA® MODEL 321 PUMPS

## ON CAST IRON BASE



| PUMP SIZE |       |           | X     | Y       | DC      | DD      | DE      | DF      | HL <sub>1</sub> | HL <sub>2</sub> |
|-----------|-------|-----------|-------|---------|---------|---------|---------|---------|-----------------|-----------------|
| DISCH     | SUCT  | CASE BORE |       |         |         |         |         |         |                 |                 |
| 3/4       | 1     | 6         | 5-1/2 | 1-3/4   | 3-5/16  | 3-7/16  | 3-7/8   | 2-13/16 | 1-7/16          | —               |
| 3/4       | 1     | 7         | 6-1/4 | 1-7/8   | 3-15/16 | 4       | 4-7/16  | 2-13/16 | 1-5/16          | —               |
| 1         | 1-1/4 | 4         | 4-1/8 | 1-11/16 | 2-3/8   | 2-3/8   | 2-7/16  | 2-15/16 | 1-3/8           | —               |
| 1         | 1-1/4 | 5         | 5     | 2       | 2-13/16 | 2-7/8   | 3       | 2-7/8   | 1-1/8           | —               |
| 1         | 1-1/4 | 6         | 5-1/2 | 1-15/16 | 3-5/16  | 3-3/8   | 3-7/8   | 2-7/8   | 1-3/16          | —               |
| 1-1/4     | 1-1/2 | 5         | 5     | 1-15/16 | 2-7/8   | 2-15/16 | 3-7/16  | 2-15/16 | 1-1/8           | —               |
| 1-1/4     | 1-1/2 | 7A        | 6-1/4 | 2       | 4       | 4-1/16  | 4-1/2   | 2-15/16 | 1-1/16          | —               |
| 1-1/4     | 1-1/2 | 7B        | 6-1/4 | 2-7/16  | 4       | 4-1/8   | 4-5/8   | 2-7/8   | 11/16           | —               |
| 1-1/4     | 1-1/2 | 9         | 8     | 2-1/4   | 5-13/16 | 5-3/16  | 5-13/16 | 2-7/8   | 7/8             | —               |
| 1-1/2     | 2     | 4         | 5     | 2-1/8   | 2-1/2   | 3       | 2-3/4   | 3-1/16  | 13/16           | —               |
| 1-1/2     | 2     | 7         | 7     | 2-1/4   | 4-1/16  | 4-1/4   | 4-7/8   | 2-7/8   | 7/8             | —               |
| 2         | 2-1/2 | 4         | 5     | 3-1/16  | 2-1/2   | 3       | 2-13/16 | 3-7/16  | —               | 1/2             |
| 2         | 2-1/2 | 5         | 6     | 2-11/16 | 3       | 3-3/16  | 3-7/16  | 3-1/16  | 1/4             | —               |
| 2         | 2-1/2 | 6         | 6     | 2-3/4   | 3-1/2   | 3-11/16 | 4-3/8   | 3       | 1/4             | —               |
| 2         | 2-1/2 | 7         | 7     | 2-15/16 | 4-1/16  | 4-5/16  | 4-7/8   | 3-1/16  | 0               | —               |
| 3         | 3     | 6         | 8     | 3-5/8   | 3-7/8   | 4-7/16  | 5-7/8   | 3-1/4   | 1/8             | —               |

| FRAME  | AG | HD |
|--------|----|----|
| 56CZ   | 11 | 8  |
| 143TCZ | 10 | 8  |
| 145TCZ | 11 | 8  |
| 182TCZ | 11 | 9  |
| 184TCZ | 12 | 9  |

**NOTES:**

1. All dimensions in inches.
2. Not for construction purposes unless certified.
3. Conduit box is shown in approximate location. Capacitor when furnished normally appears on top of motor. Dimensions are not specified as they vary with each motor manufacturer.
4. Dimensions may vary ± 1/4"