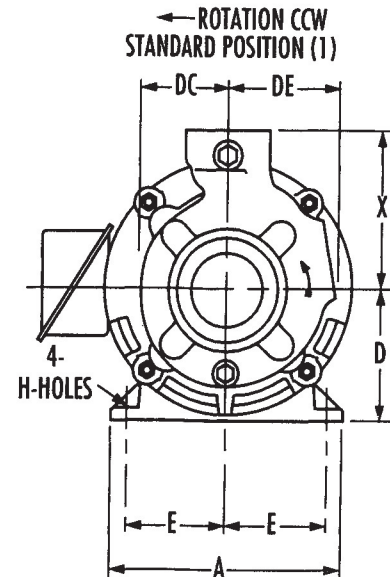
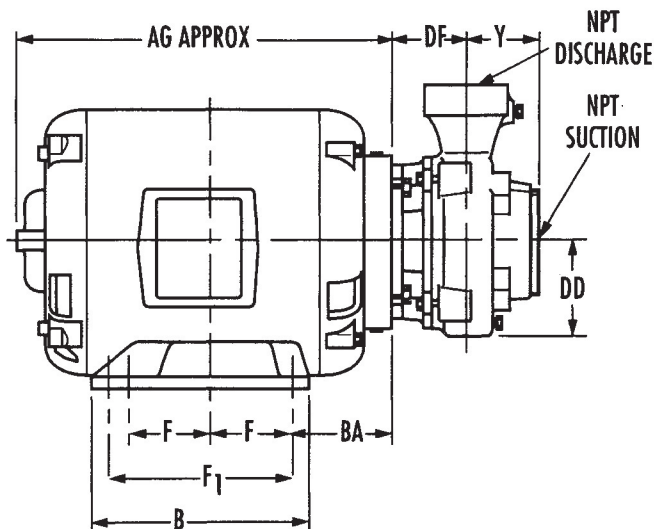
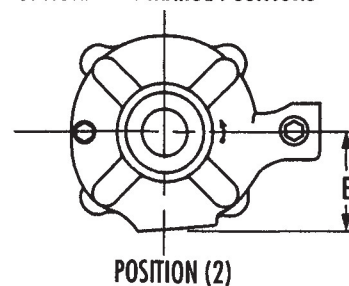


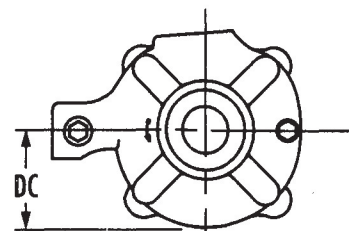
AURORA® MODEL 321 PUMPS



OPTIONAL DISCHARGE POSITIONS



POSITION (2)



POSITION (4)

FRAME	A	B	D	E	F	F1	H	AG	BA
56CZ	6-3/4	4	3-1/2	2-7/16	1-1/2	—	11/32 SLOT	11	2-9/16
143TCZ	7	6	3-1/2	2-3/4	2	—	11/32 SLOT	10	2-7/8
145TCZ	7	6	3-1/2	2-3/4	2-1/2	—	11/32 SLOT	11	2-7/8
182TCZ	8-3/4	6-5/8	4-1/2	3-3/4	2-1/4	—	13/32 SLOT	11	3-5/8
184TCZ	8-3/4	6-5/8	4-1/2	3-3/4	—	5-1/2	13/32 SLOT	12	3-5/8

PUMP SIZE			X	Y	DC	DD	DE	DF
DISCH	SUCT	CASE BORE						
3/4	1	6	5-1/2	1-3/4	3-5/16	3-7/16	3-7/8	2-13/16
3/4	1	7	6-1/4	1-7/8	3-15/16	4	4-7/16	2-13/16
1	1-1/4	4	4-1/8	1-11/16	2-3/8	2-3/8	2-7/16	2-15/16
1	1-1/4	5	5	2	2-13/16	2-7/8	3	2-7/8
1	1-1/4	6	5-1/2	1-15/16	3-5/16	3-3/8	3-7/8	2-7/8
1-1/4	1-1/2	5	5	1-15/16	2-7/8	2-15/16	3-7/16	2-15/16
1-1/4	1-1/2	7A	6-1/4	2	4	4-1/16	4-1/2	2-15/16
1-1/4	1-1/2	7B	6-1/4	2-7/16	4	4-1/8	4-5/8	2-7/8
1-1/4	1-1/2	9	8	2-1/4	5-13/16	5-3/16	5-13/16	2-7/8
1-1/2	2	4	5	2-1/8	2-1/2	3	2-3/4	3-1/16
1-1/2	2	7	7	2-1/4	4-1/16	4-1/4	4-7/8	2-7/8
2	2-1/2	4	5	3-1/16	2-1/2	3	2-13/16	3-7/16
2	2-1/2	5	6	2-11/16	3	3-3/16	3-7/16	3-1/16
2	2-1/2	6	6	2-3/4	3-1/2	3-11/16	4-3/8	3
2	2-1/2	7	7	2-15/16	4-1/16	4-5/16	4-7/8	3-1/16
3	3	6	8	3-5/8	3-7/8	4-7/16	5-7/8	3-1/4

NOTES:

1. All dimensions in inches.
2. Not for construction purposes unless certified.
3. Conduit box is shown in approximate location. Capacitor when furnished normally appears on top of motor. Dimensions are not specified as they vary with each motor manufacturer.
4. Dimensions may vary $\pm 1/4$ "
5. Check discharge position, casing dimensions which exceed dimension "D" may require pads for the motor.